

US00D976481S

(12) **United States Design Patent** (10) **Patent No.:** **US D976,481 S**
Liang (45) **Date of Patent:** **** Jan. 24, 2023**

(54) **HOOKAH** D935,686 S * 11/2021 Liang D27/162
D943,163 S * 2/2022 Gibson D27/162
(71) Applicant: **Hangzhou Law Trading Co., Ltd.,** D943,812 S * 2/2022 Gibson D27/162
Hangzhou (CN) D953,626 S * 5/2022 Li D27/162
(72) Inventor: **Shimin Liang,** Hangzhou (CN) D960,438 S * 8/2022 Touzjian D27/162
D960,440 S * 8/2022 Touzjian D27/162
D965,212 S * 9/2022 Evans D27/162

(**) Term: **15 Years**

(21) Appl. No.: **29/864,524**

(22) Filed: **Jun. 2, 2022**

(51) **LOC (14) Cl.** **27-02**

(52) **U.S. Cl.**
USPC **D27/162**

(58) **Field of Classification Search**
USPC D27/100, 103, 162-165, 167, 169, 172,
D27/180, 183, 194; D23/360
CPC A24F 1/30; A24F 1/02; A24F 1/00; A24F
47/008; A24F 47/002; A61M 11/00
See application file for complete search history.

(56) **References Cited**

U.S. PATENT DOCUMENTS

D754,392 S * 4/2016 Helou D27/162
D754,914 S * 4/2016 Helou D27/162
D754,915 S * 4/2016 Helou D27/162
D755,439 S * 5/2016 Helou D27/162
D779,723 S 2/2017 Marrakchi
D820,513 S * 6/2018 Camitta D27/162
D838,410 S * 1/2019 Reimann D27/162
D844,231 S * 3/2019 Klimczyk D27/162
D854,740 S * 7/2019 Opp D27/162
D899,675 S 10/2020 Masri
10,869,498 B2 * 12/2020 Risolia A24F 1/02
D922,676 S 6/2021 Masri

OTHER PUBLICATIONS

Mini Clear Glass Rig Water Pipe Bubbler By: Groupon (Nov. 13, 2022) <https://www.groupon.com/deals/gg-mp-mini-clear-glass-rig-water-pipe-bubbler> (May 22, 2021).*

* cited by examiner

Primary Examiner — Rebecca Tsehaye

(74) *Attorney, Agent, or Firm* — Rumit Ranjit Kanakia

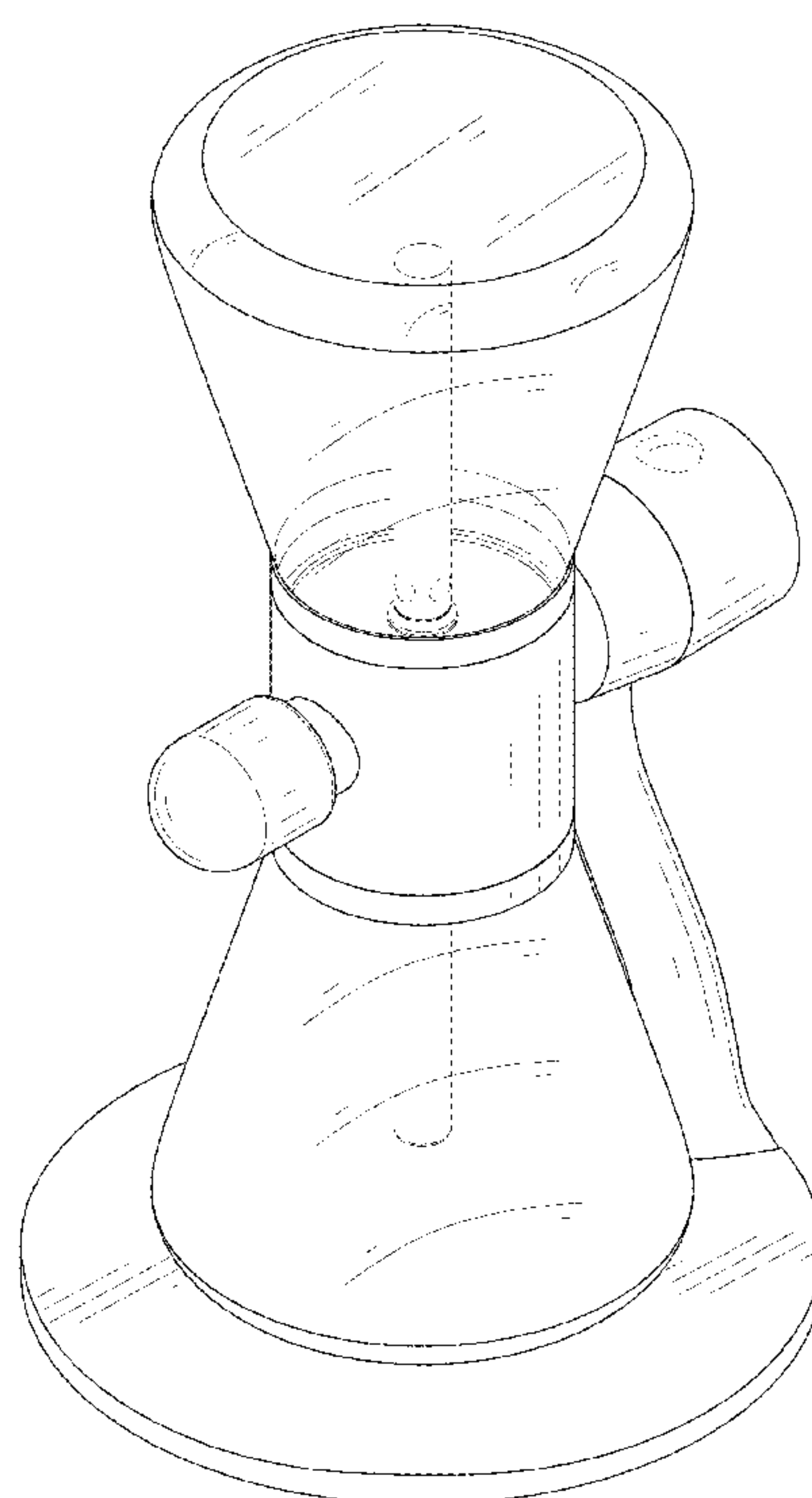
(57) **CLAIM**

The ornamental design for a hookah, as shown and described.

DESCRIPTION

FIG. 1 is a first perspective view of a hookah showing my new design;
FIG. 2 is a second perspective view thereof;
FIG. 3 is a front view thereof;
FIG. 4 is a back view thereof;
FIG. 5 is a left side view thereof;
FIG. 6 is a right side view thereof;
FIG. 7 is a top view thereof; and,
FIG. 8 is a bottom view thereof.
The broken lines shown in the drawings depict portions of the hookah that form no part of the claimed design.

1 Claim, 8 Drawing Sheets



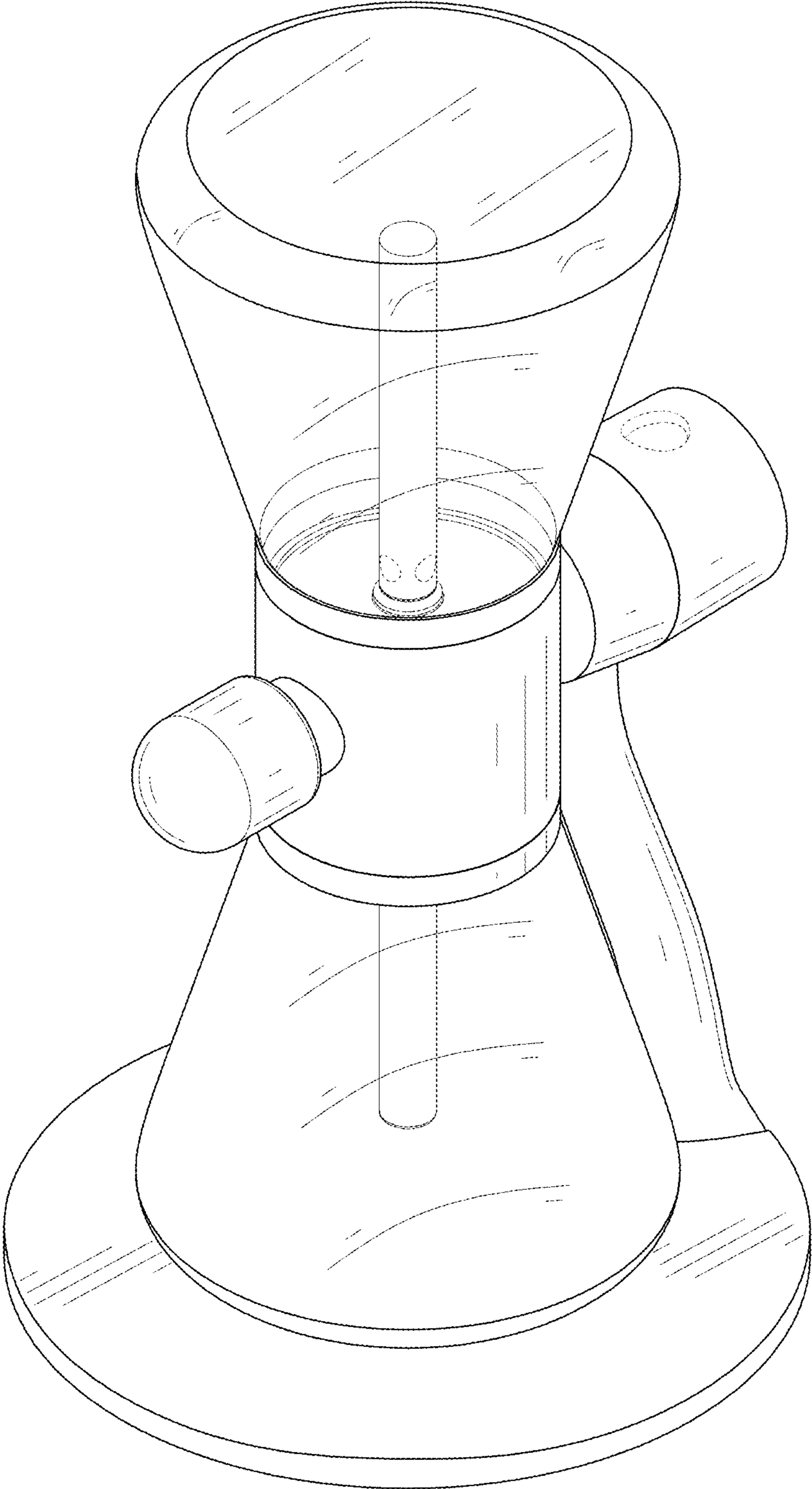


FIG. 1

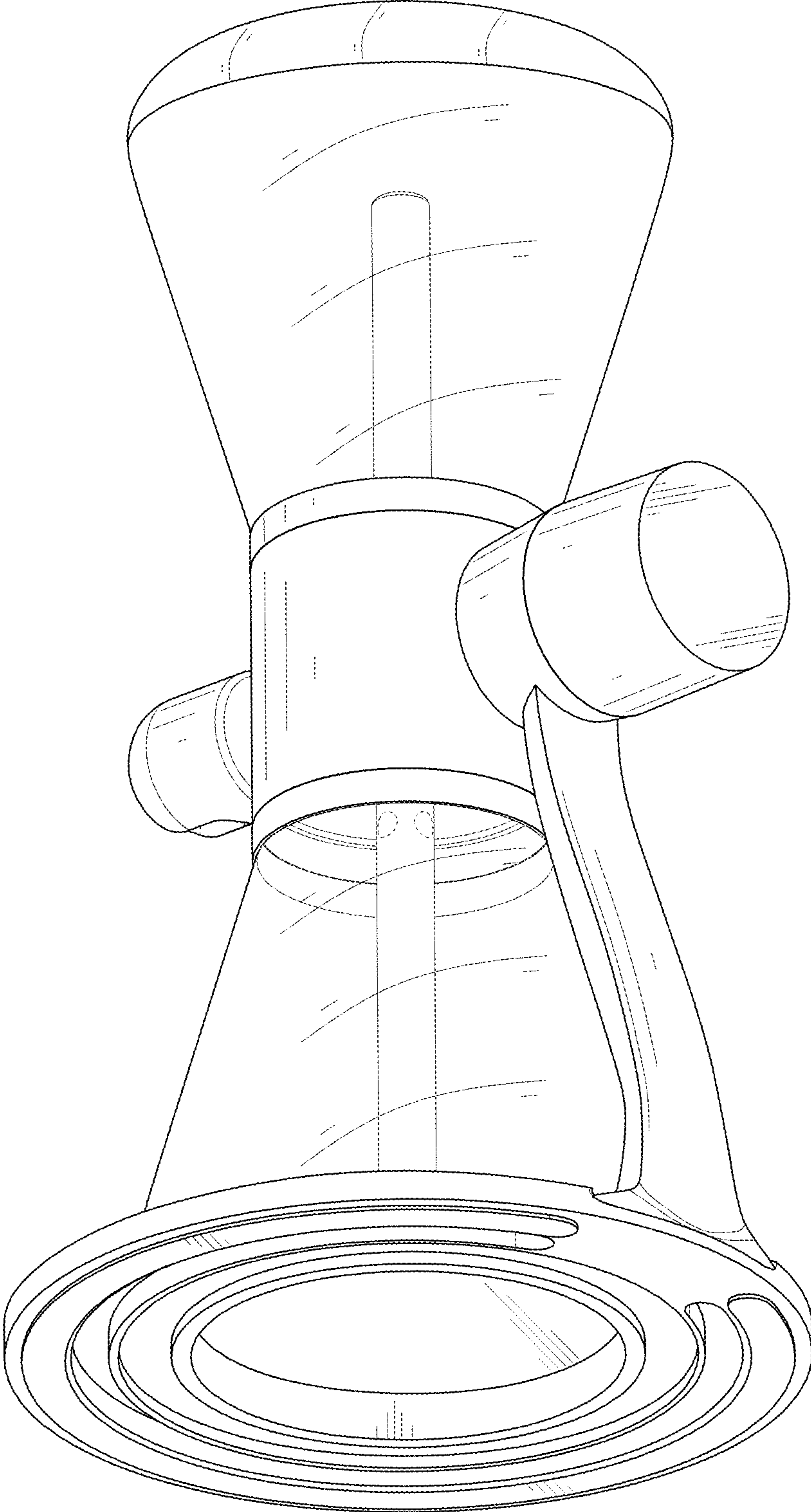


FIG. 2

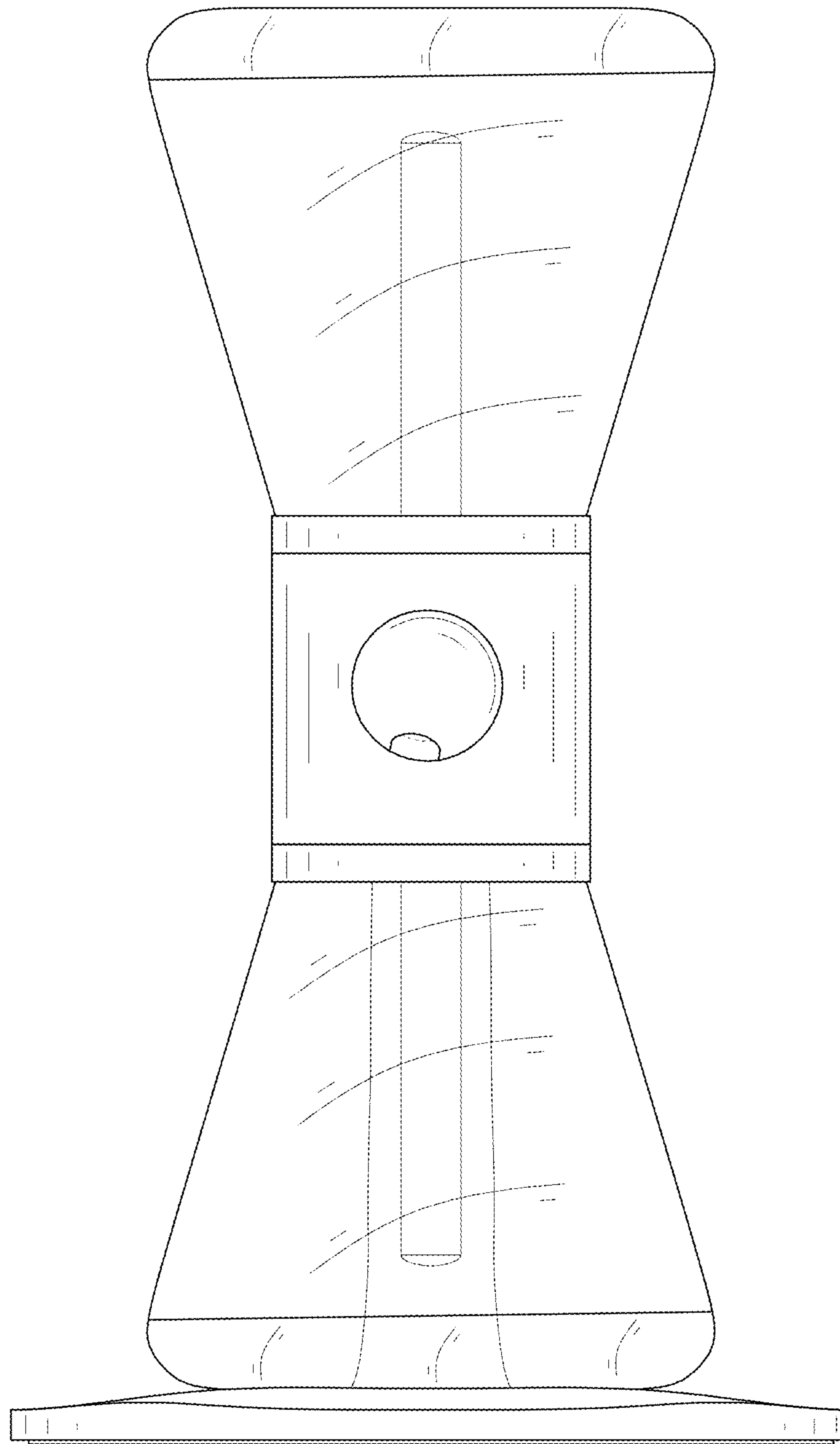


FIG. 3

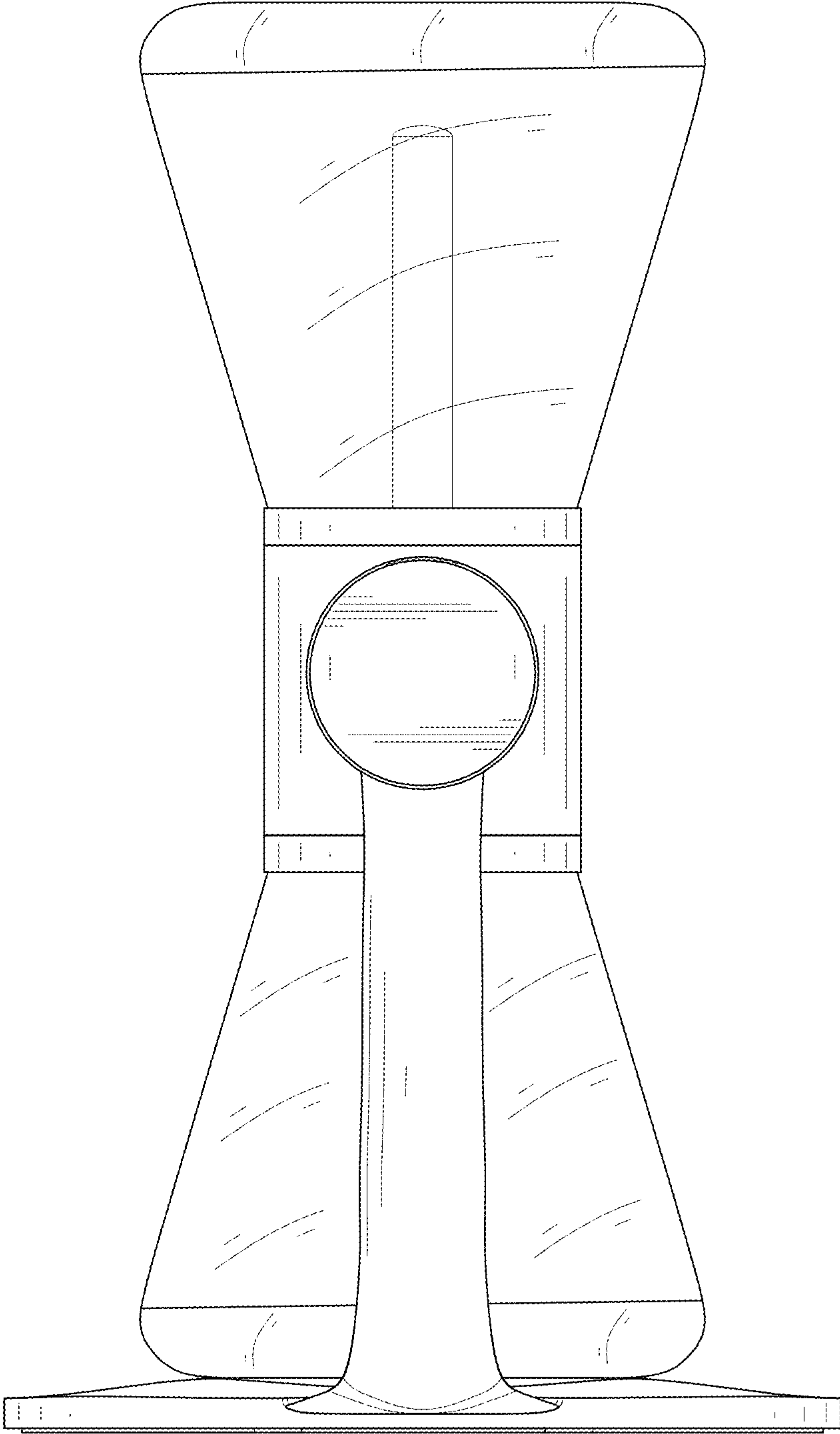


FIG. 4

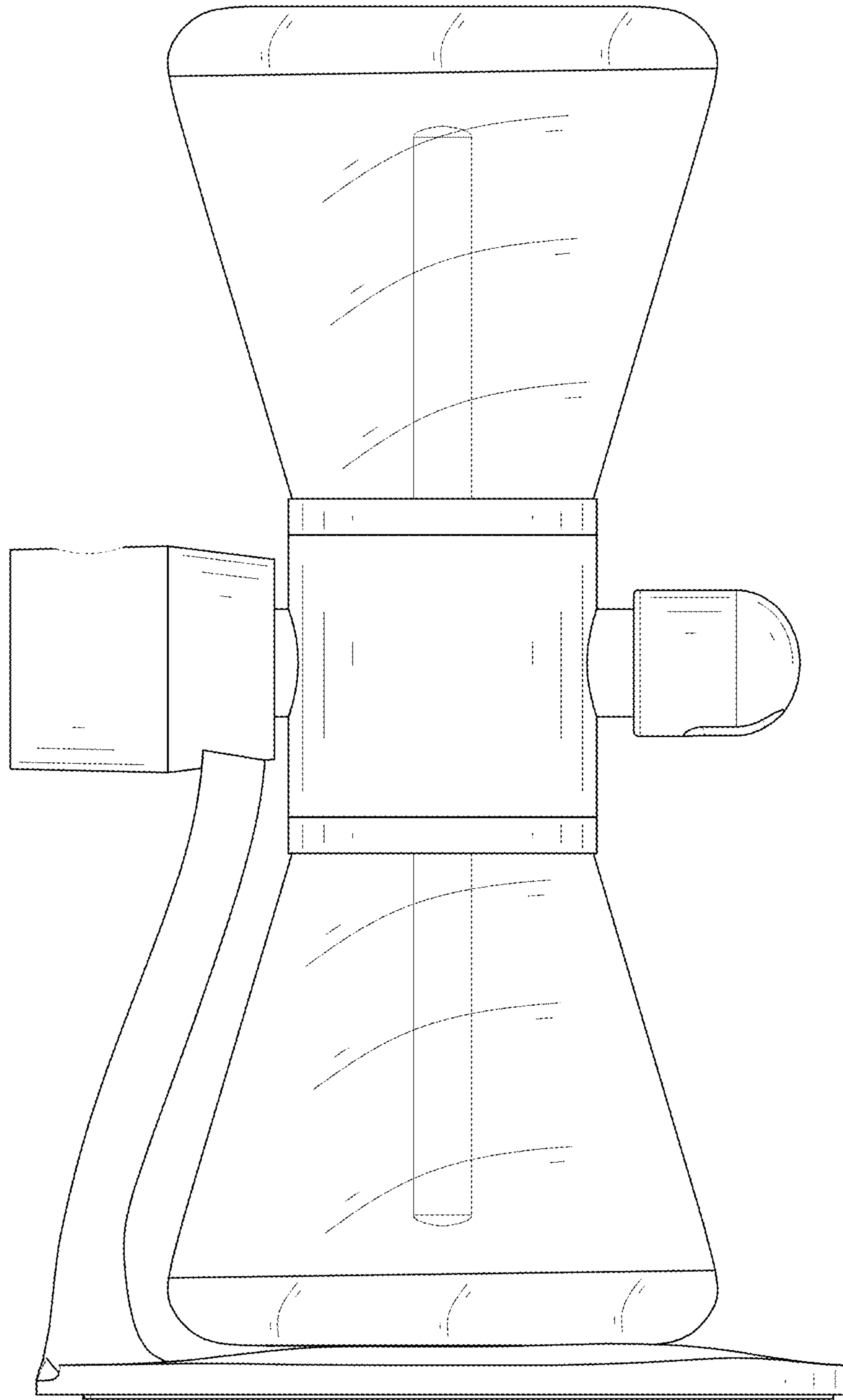


FIG. 5

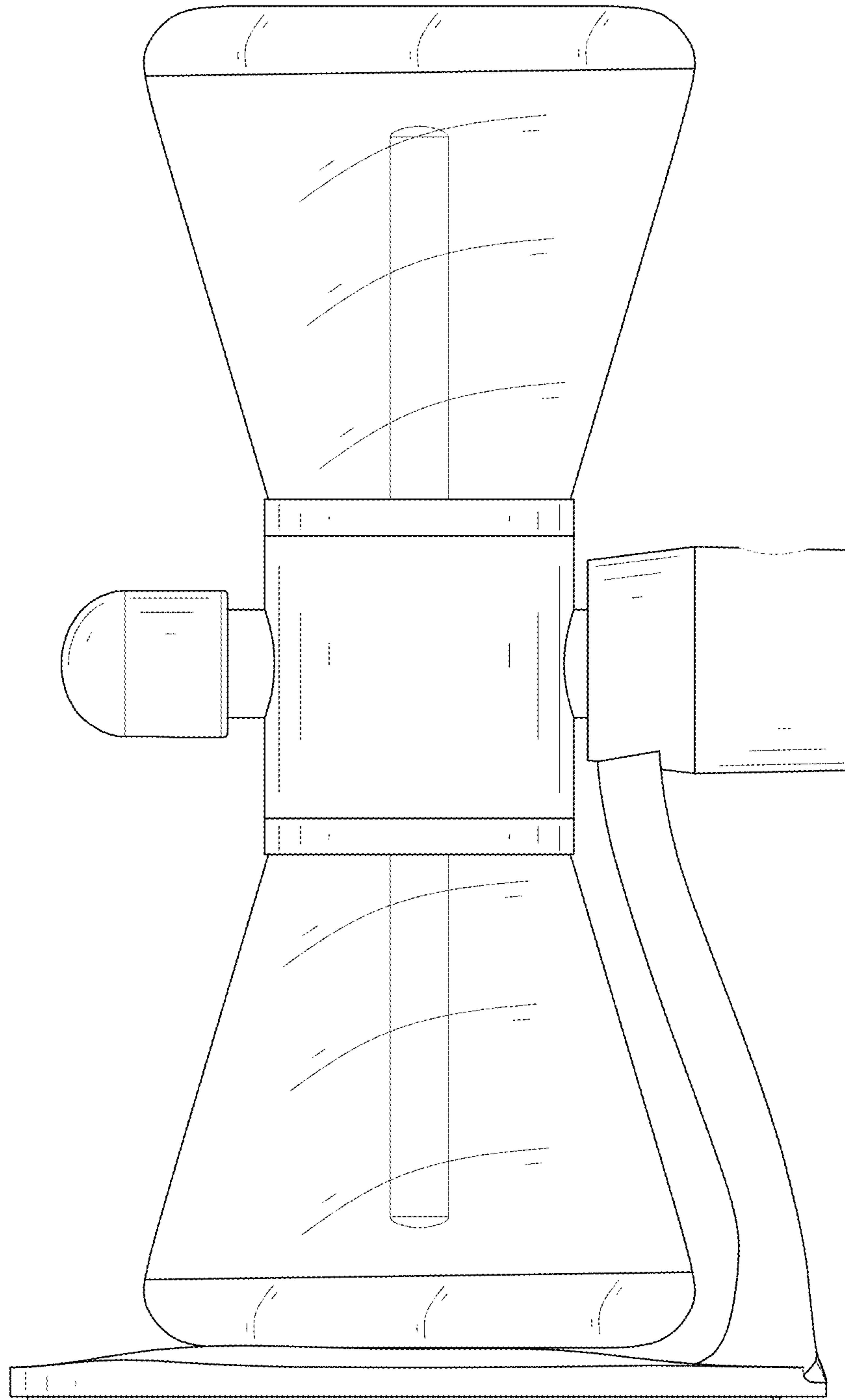


FIG. 6

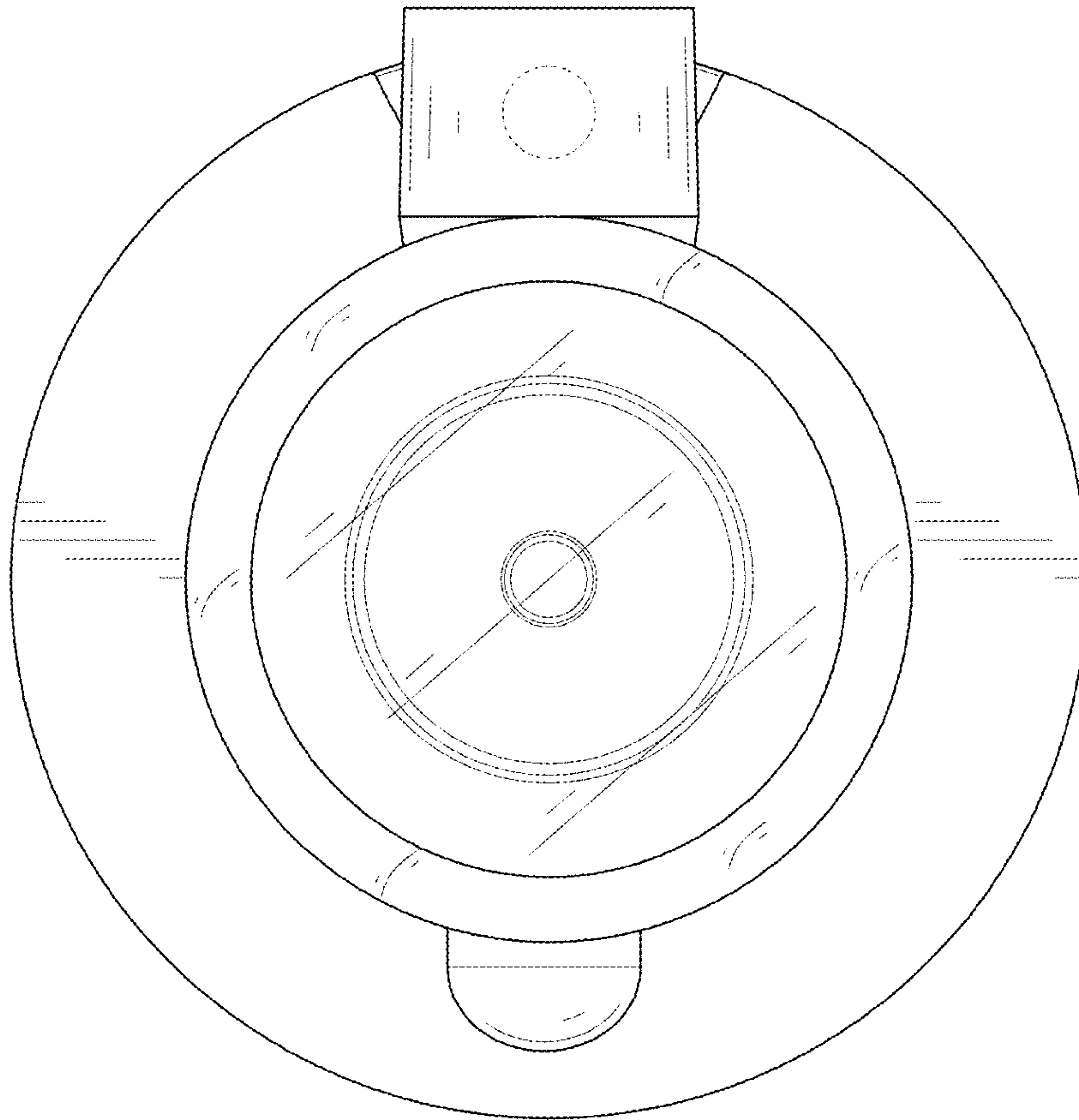


FIG. 7

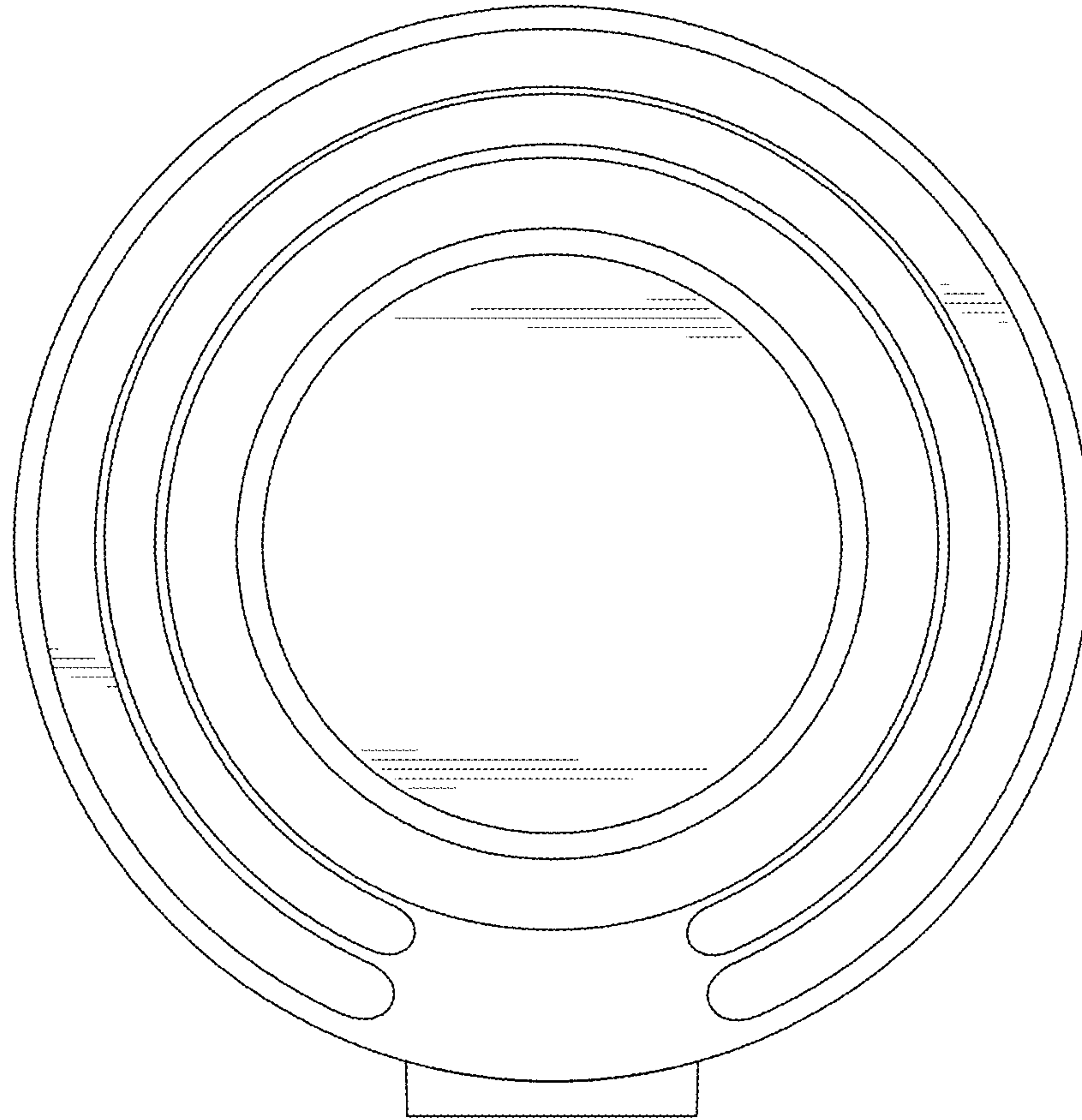


FIG. 8