



US00D976479S

(12) **United States Design Patent** (10) **Patent No.:** **US D976,479 S**
Deng (45) **Date of Patent:** **** Jan. 24, 2023**

(54) **CHANDELIER**
(71) Applicant: **Guofeng Deng**, Guangzhou (CN)
(72) Inventor: **Guofeng Deng**, Guangzhou (CN)
(**) Term: **15 Years**
(21) Appl. No.: **29/820,894**
(22) Filed: **Dec. 24, 2021**
(51) **LOC (14) Cl.** **26-05**
(52) **U.S. Cl.**
USPC **D26/142; D26/155**
(58) **Field of Classification Search**
USPC D26/63, 72, 74, 76, 78-83, 85, 86, 88,
D26/90, 93, 111, 113, 118, 119, 120, 121,
D26/122, 138, 139, 140, 141, 142, 152,
D26/155
CPC F21S 2/00; F21S 4/00; F21S 4/003; F21S
4/005; F21S 4/006; F21S 4/007; F21S
4/008; F21S 6/00; F21S 8/00; F21S
8/024; F21S 8/026; F21S 8/031; F21S
8/033; F21S 8/035-037; F21S 8/04; F21S
8/043; F21S 8/063
See application file for complete search history.

D514,249 S * 1/2006 Miranda D26/142
D532,545 S * 11/2006 Miranda D26/142
D532,548 S * 11/2006 Dye D26/155
D533,679 S * 12/2006 Binnix D26/142
D534,295 S * 12/2006 Chen D26/81
D546,498 S * 7/2007 Ke D26/155
D553,782 S * 10/2007 Nicholas D26/144
D577,850 S * 9/2008 Nicholas D26/88
D585,155 S * 1/2009 Yuan D26/155
D585,593 S * 1/2009 Yuan D26/155
D587,842 S * 3/2009 Rhodes D26/142
D605,332 S * 12/2009 Miranda D26/88
D611,184 S * 3/2010 Chen D26/144
D644,786 S * 9/2011 McDowell D26/154
D659,881 S 5/2012 Sterling
D660,499 S 5/2012 Sage
D704,880 S 5/2014 Johnson
D833,053 S * 11/2018 Tomlinson D26/81

* cited by examiner

Primary Examiner — Natasha Vujcic
(74) *Attorney, Agent, or Firm* — Rumit Ranjit Kanakia

(57) **CLAIM**

The ornamental design for a chandelier, as shown and described.

DESCRIPTION

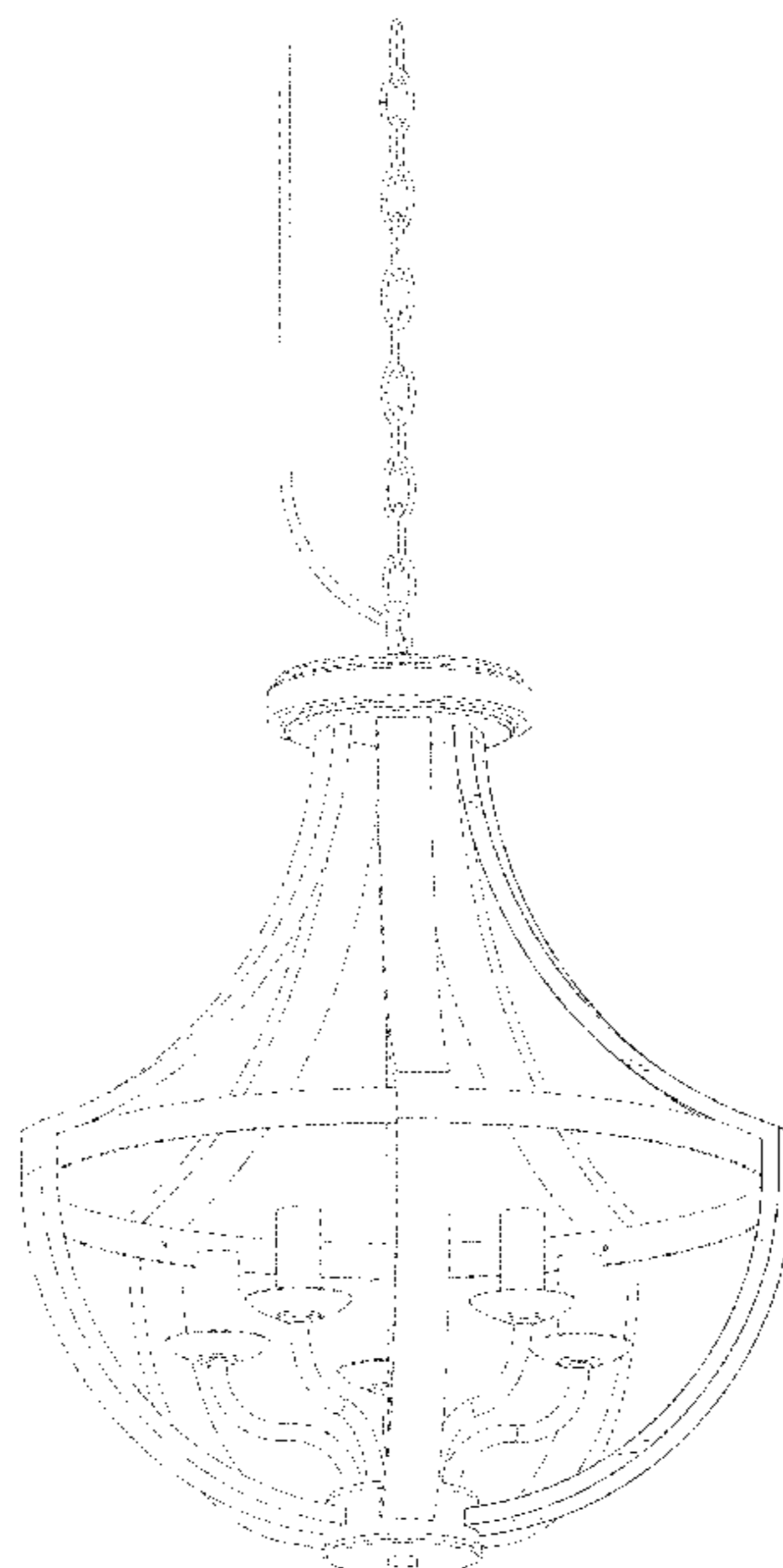
FIG. 1 is a perspective view of a chandelier showing my new design;
FIG. 2 is another perspective view thereof;
FIG. 3 is a front elevational view thereof;
FIG. 4 is a rear elevational view thereof;
FIG. 5 is a left elevational view thereof;
FIG. 6 is a right side view thereof;
FIG. 7 is a top side view thereof; and,
FIG. 8 is a bottom plan view thereof.
The broken lines in the figures are for the purposes of illustrating portions of the chandelier, which form no part of the claimed design.

1 Claim, 8 Drawing Sheets

(56) **References Cited**

U.S. PATENT DOCUMENTS

D410,101 S 5/1999 Porter
D417,521 S 12/1999 Orozco
D417,523 S * 12/1999 Kluck D26/144
D418,622 S 1/2000 Diaz-Azcuy
D421,317 S 2/2000 Rose
D421,663 S * 3/2000 Von Kluck D26/144
D430,691 S 9/2000 Von Kluck
D430,692 S 9/2000 Nicholas
D432,256 S 10/2000 Dolan
D435,687 S * 12/2000 Miranda D26/145
D440,002 S * 4/2001 Miranda D26/87



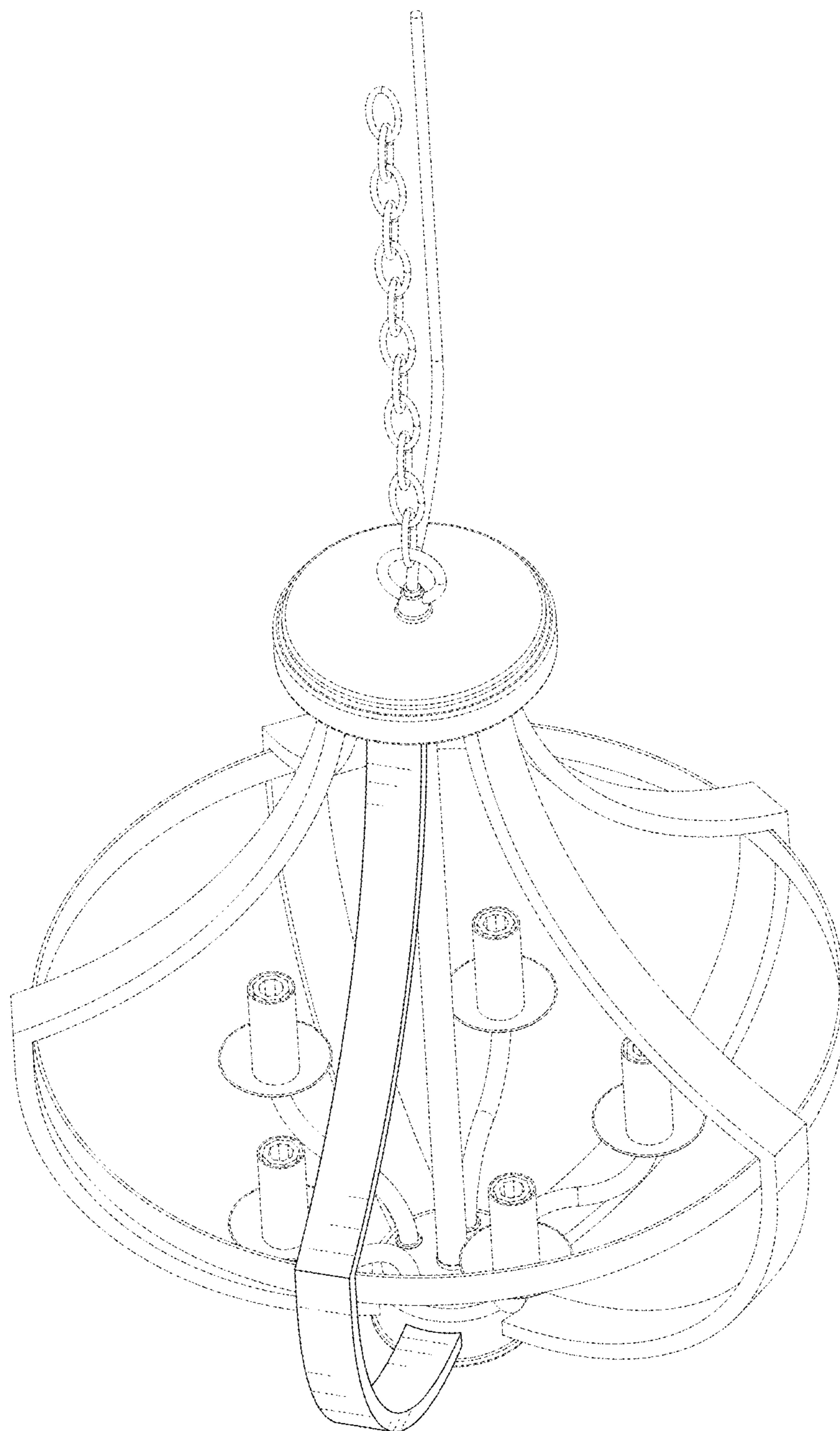


FIG. 1

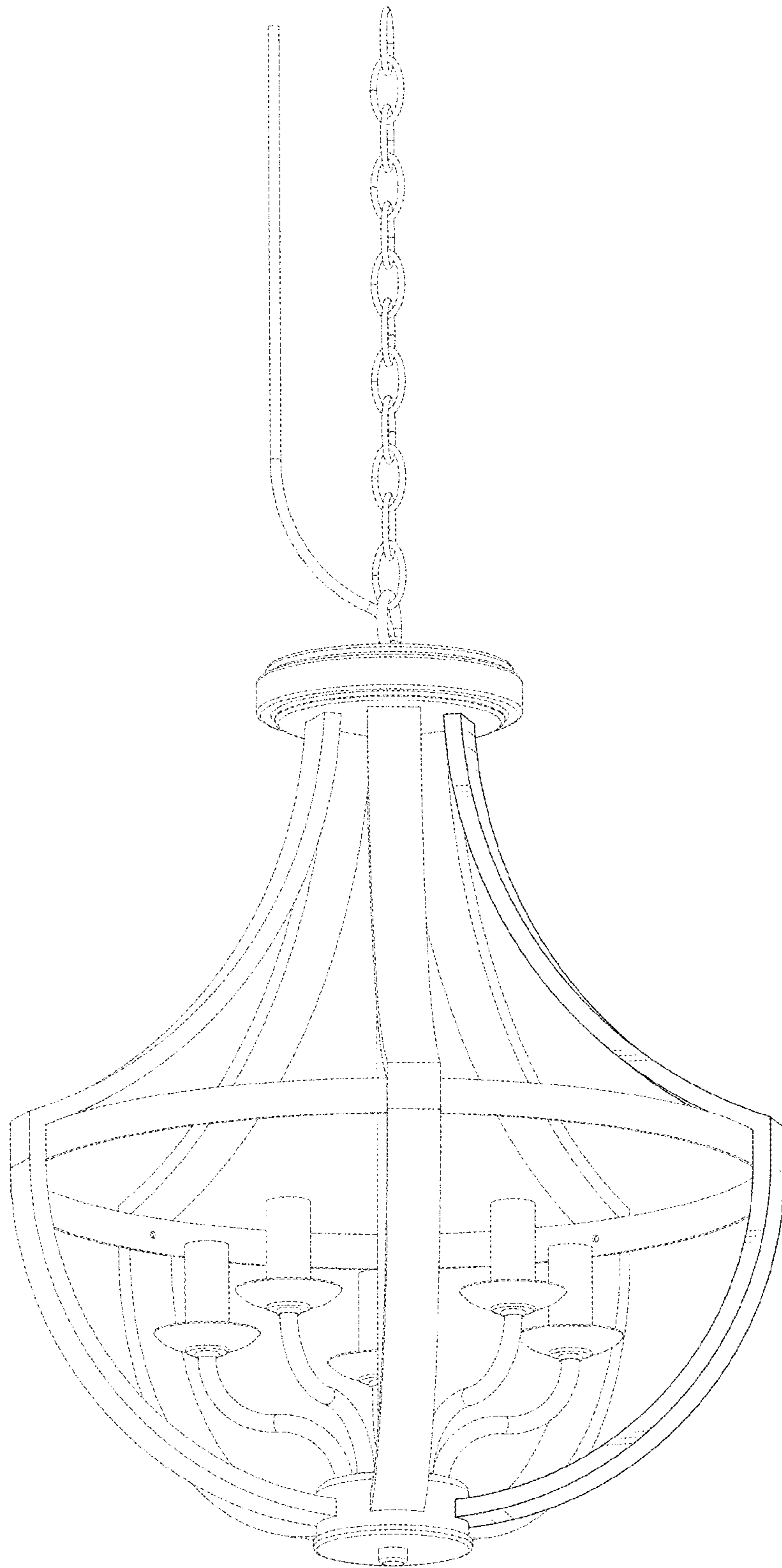


FIG. 2

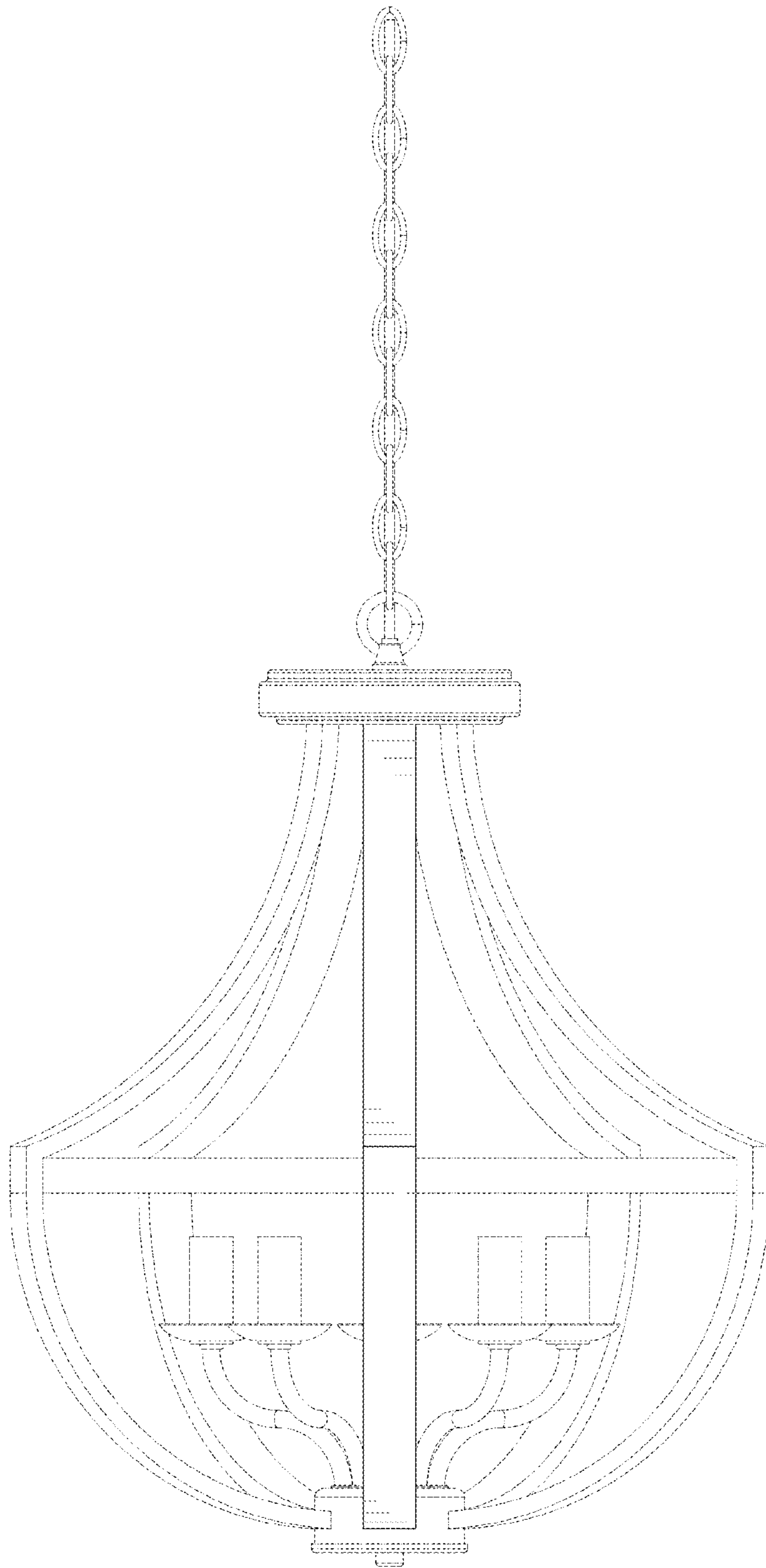


FIG. 3

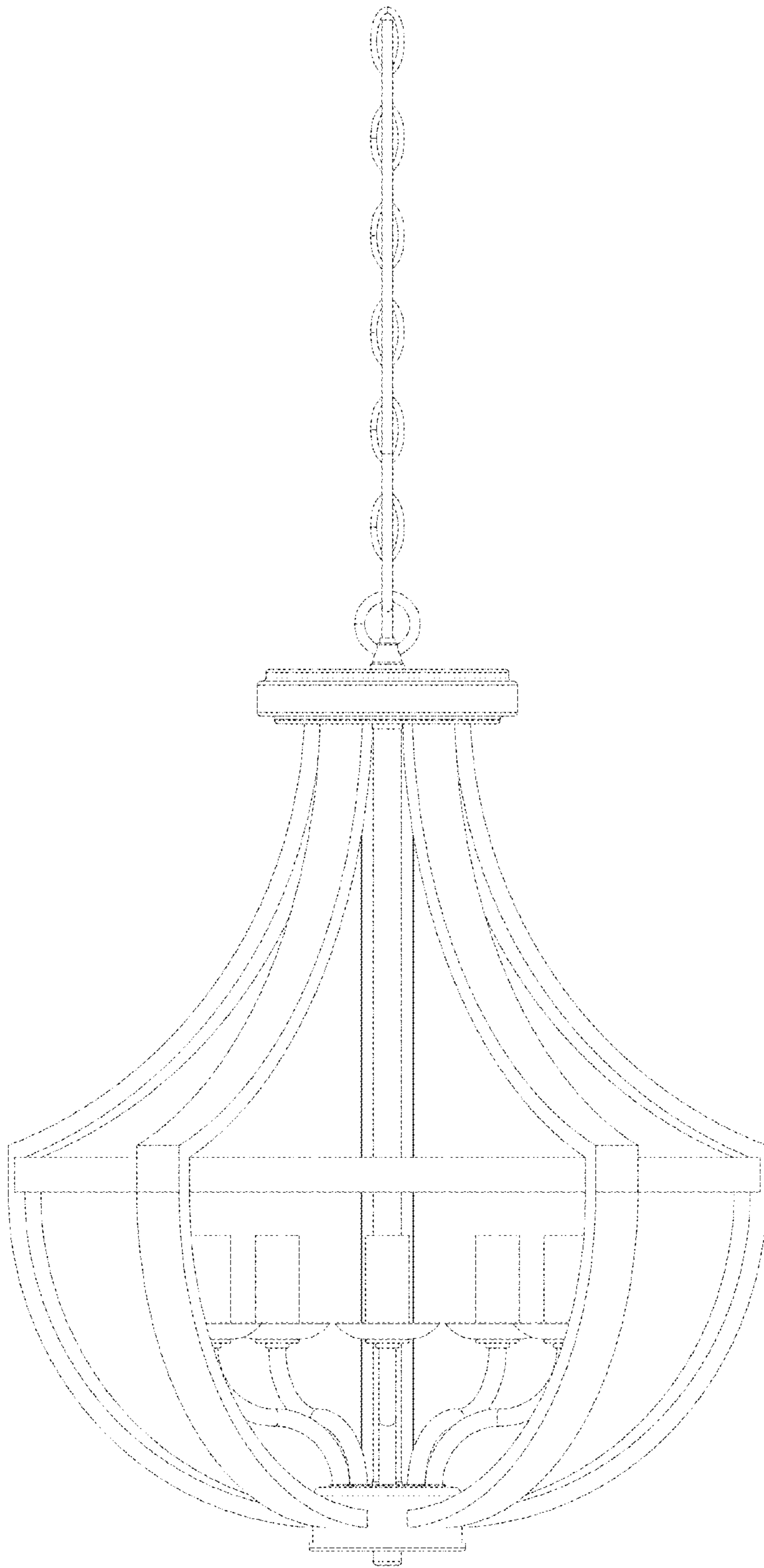


FIG. 4

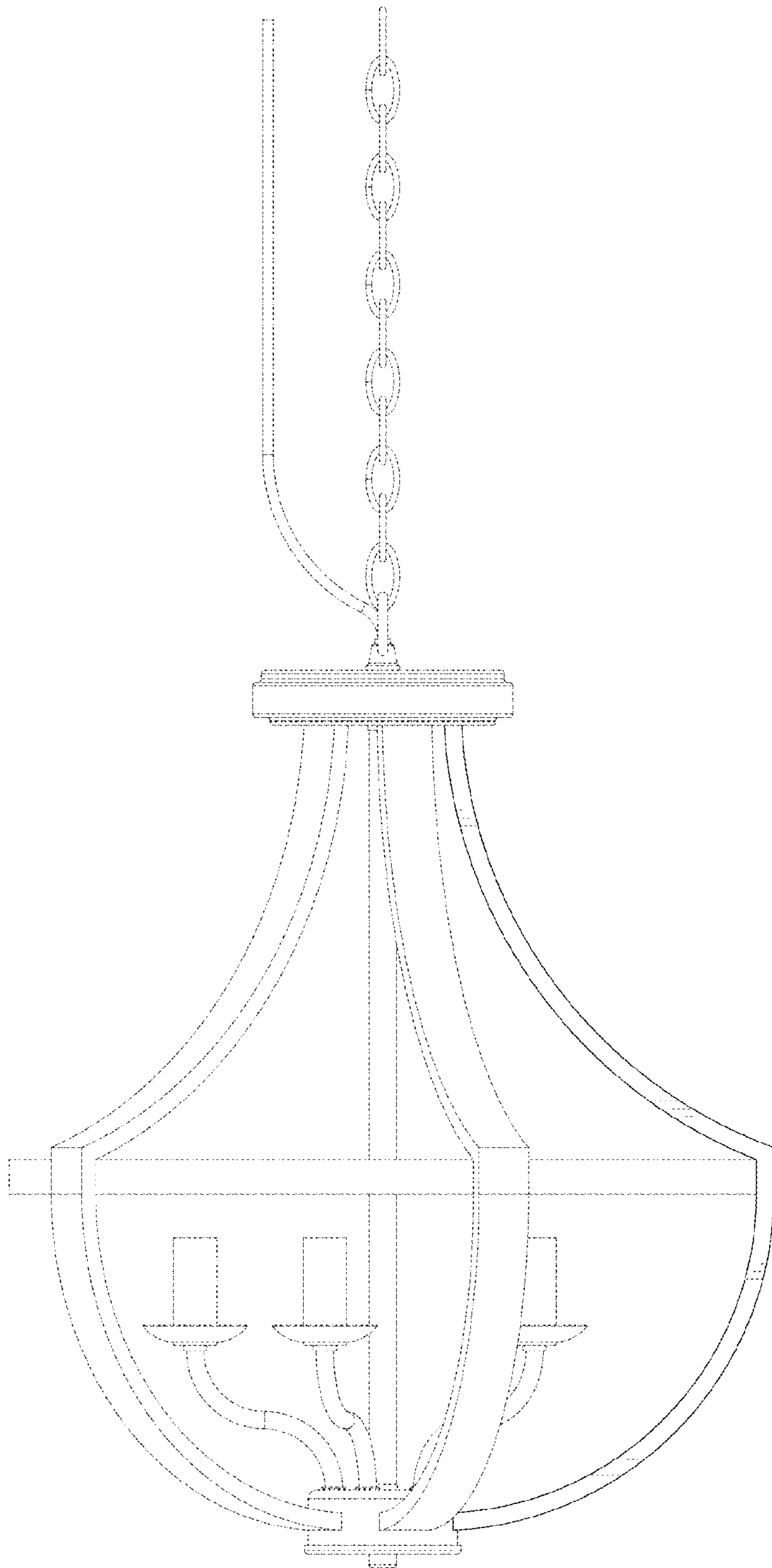


FIG. 5

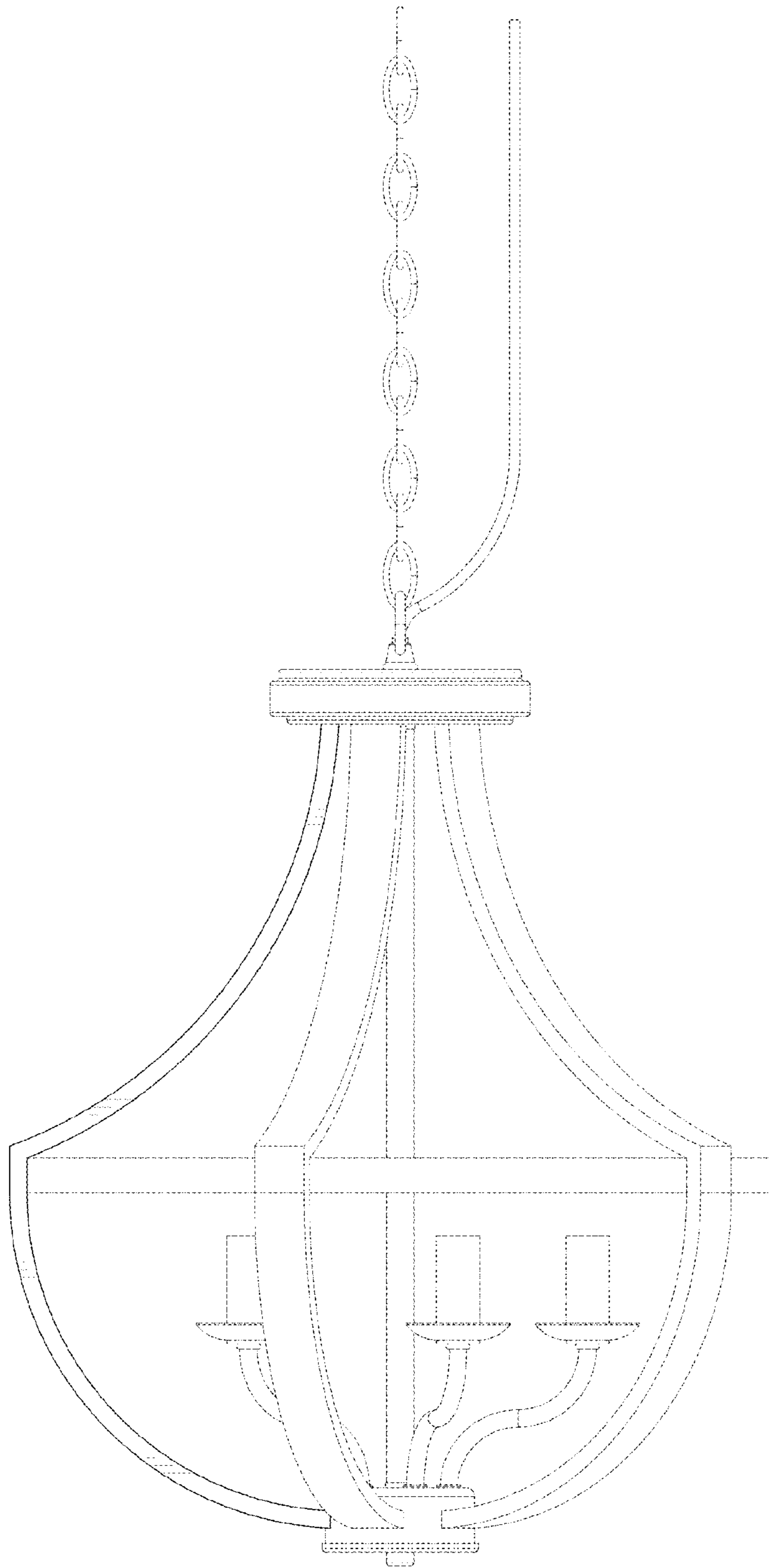


FIG. 6

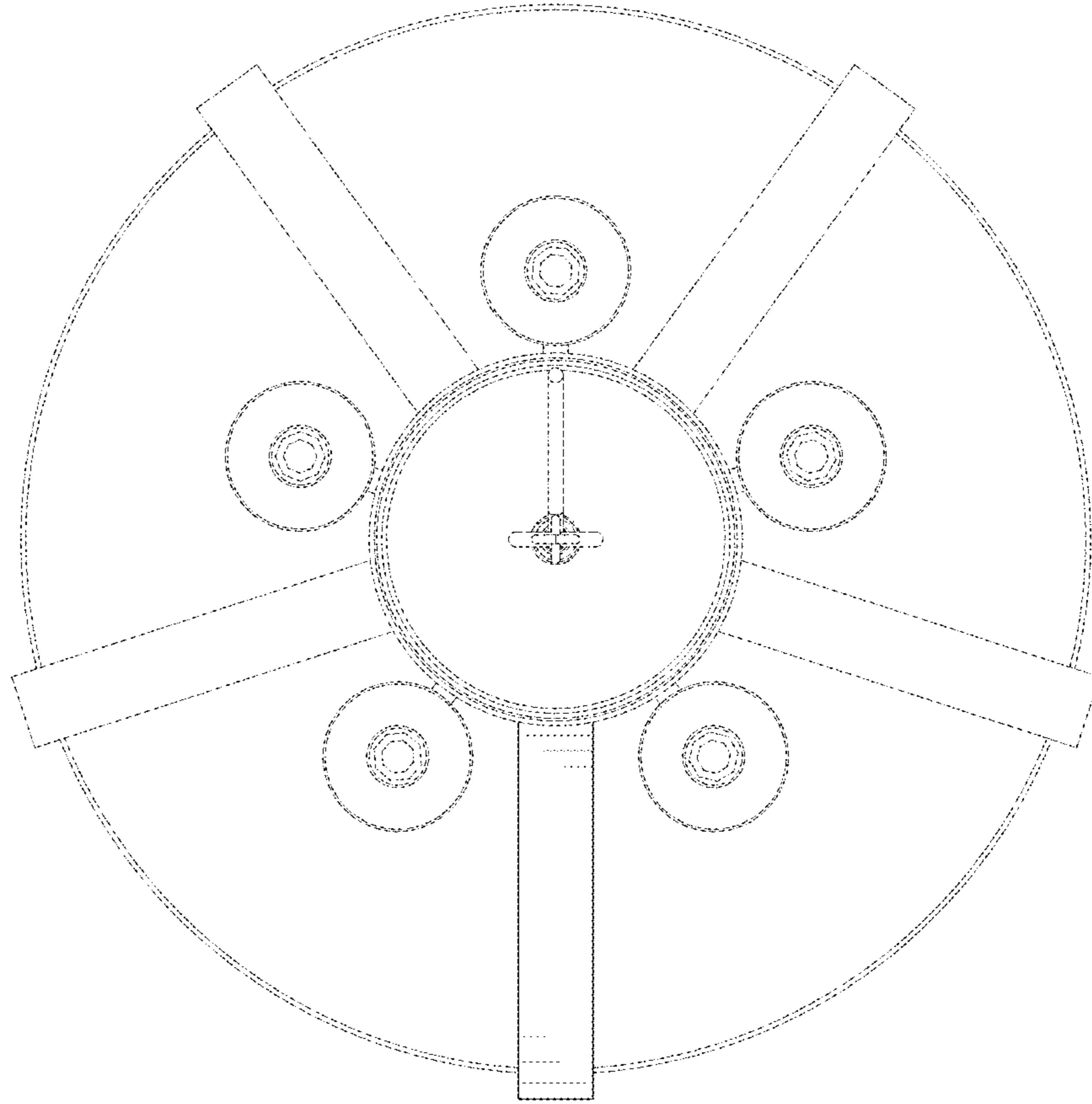


FIG. 7

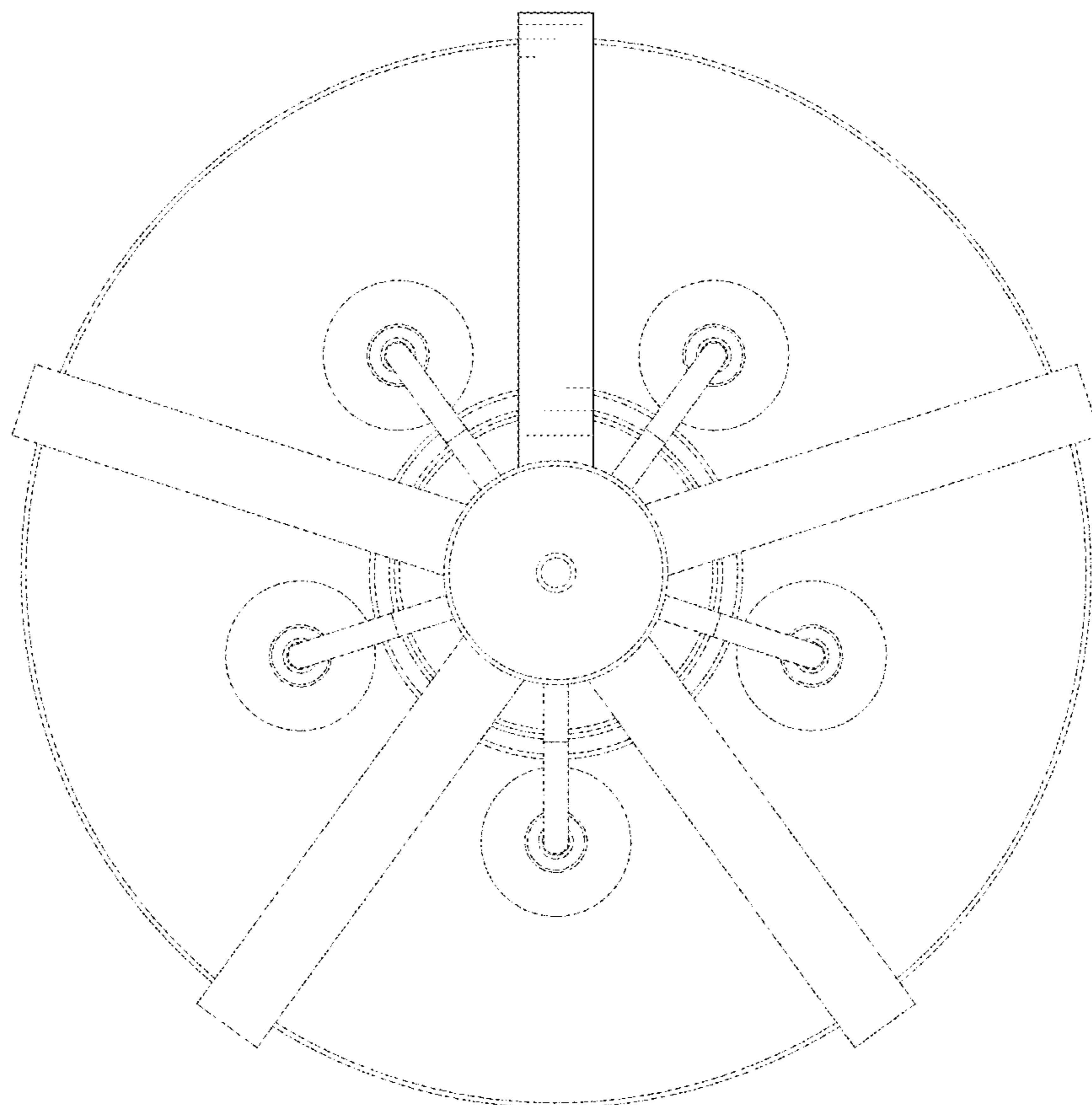


FIG. 8