



US00D976478S

(12) **United States Design Patent**
Fulk et al.

(10) **Patent No.:** **US D976,478 S**
(45) **Date of Patent:** **** Jan. 24, 2023**

(54) **MOUNTING PLATE**

(71) Applicant: **The Urban Electric Company**, North Charleston, SC (US)

(72) Inventors: **Ken Fulk**, San Francisco, CA (US); **Michael Amato**, London (GB); **David Dawson**, Charleston, SC (US); **Hope Johnson**, Folley Beach, SC (US); **Kevin Langer**, Charleston, SC (US); **Brianna Magagnoli**, North Charleston, SC (US); **Janis Golubeckis**, Mount Pleasant, SC (US)

(73) Assignee: **The Urban Electric Company**, North Charleston, SC (US)

(**) Term: **15 Years**

(21) Appl. No.: **29/785,096**

(22) Filed: **May 24, 2021**

(51) **LOC (14) Cl.** **26-05**

(52) **U.S. Cl.**
USPC **D26/142**

(58) **Field of Classification Search**
USPC D26/24, 60, 65, 72, 89-92, 113,
D26/128-138, 142, 144, 147-149
CPC F21V 21/30; F21V 21/14; F21V 21/10;
F21V 21/02

See application file for complete search history.

(56) **References Cited**

U.S. PATENT DOCUMENTS

D311,256 S *	10/1990	Frattini	D26/87
D359,815 S *	6/1995	Porter	D26/85
D403,798 S *	1/1999	Dolan	D26/87
D404,171 S *	1/1999	Littman	D26/92
D418,624 S *	1/2000	Vanderbyl	D26/87
D442,728 S *	5/2001	Littman	D26/87
D476,440 S *	6/2003	Lee	D26/65
D565,224 S *	3/2008	Salatto-Rose	D26/65

D600,844 S *	9/2009	Thomson	D26/65
D804,073 S *	11/2017	Fan	D26/65
D906,577 S *	12/2020	Gardner	D26/80

OTHER PUBLICATIONS

Elle Solid Brass Picture Light, available in mullanlighting.com, customer review oldest date Sep. 1, 2017 [online], [site visited Oct. 17, 2022], Available from the internet URL: <https://www.mullanlighting.com/us/elle-35-5cm-solid-brass-picture-light/> (Year: 2017).*

(Continued)

Primary Examiner — Brett Miller

Assistant Examiner — Jasmine L. Comedy

(74) *Attorney, Agent, or Firm* — Haynsworth Sinkler Boyd, P.A.

(57) **CLAIM**

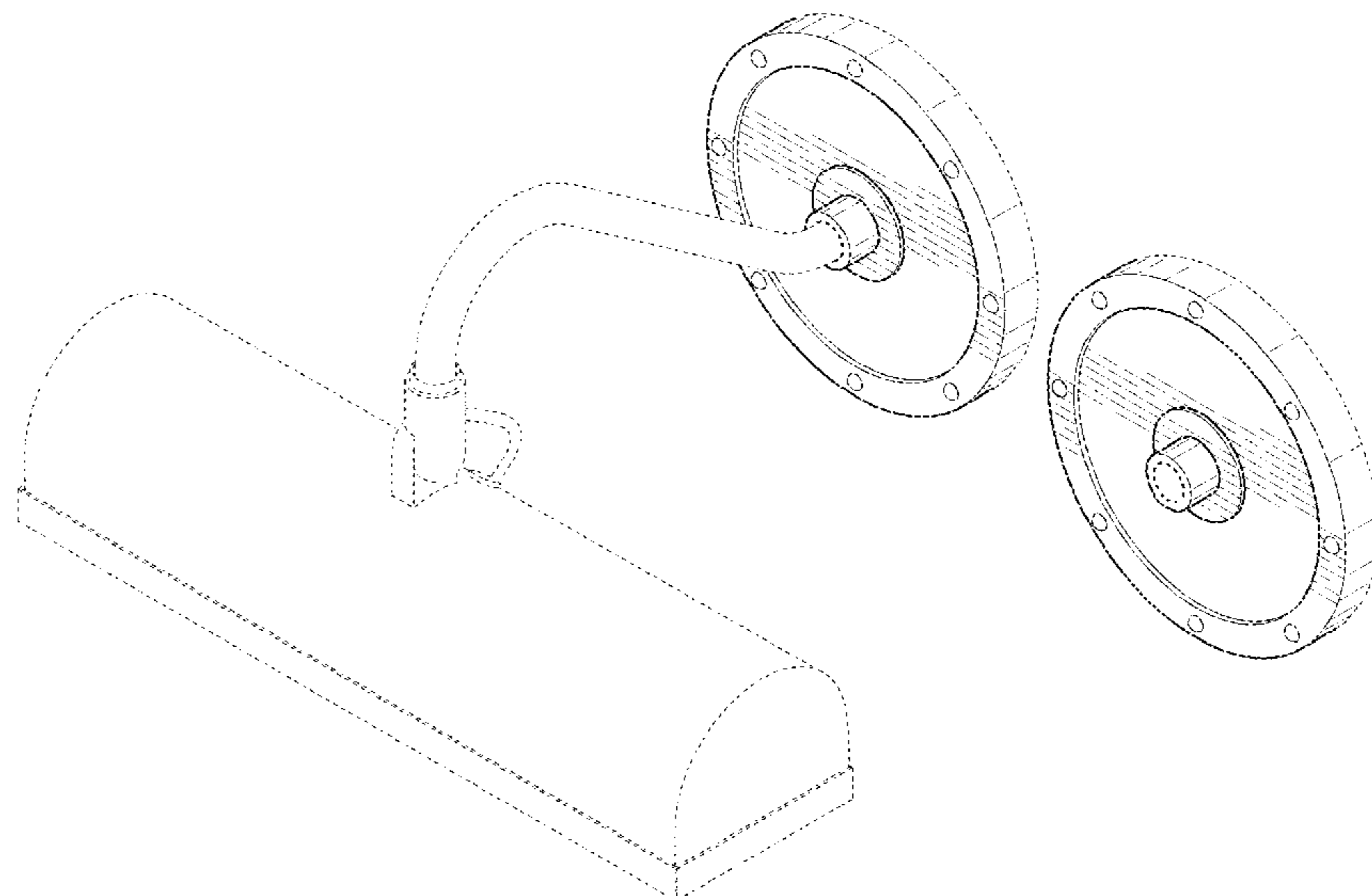
The ornamental design for a mounting plate, as shown and described.

DESCRIPTION

FIG. 1 is a front perspective view of a mounting plate depicting a new design;
FIG. 2 is a second front perspective view thereof;
FIG. 3 is a back perspective view thereof;
FIG. 4 is a front elevational view thereof;
FIG. 5 is a back elevational view thereof;
FIG. 6 is a left elevational view thereof;
FIG. 7 is a right elevational view thereof;
FIG. 8 is a top plan view thereof; and,
FIG. 9 is a bottom plan view thereof.

The broken line disclosures depicting a lighting fixture in FIG. 1 represent environmental structure that forms no part of the claimed design. The remaining broken line disclosures in the views represent portions of the mounting plate that form no part of the claimed design.

1 Claim, 5 Drawing Sheets



(56)

References Cited

OTHER PUBLICATIONS

House Of Troy PL16-OB Library Lamp Collection Wall Lamp, available in Amazon.com, date first available Oct. 20, 2006 [online], [site visited Oct. 17, 2022], Available from the internet URL: <https://www.amazon.com/House-Troy-PL16-OB-Library-Collection/dp/B000W95HW0?th=1> (Year: 2006).*

Dar Onedin Picture Light, available in googleshopping.com, customer review oldest date Dec. 1, 2015 [online], [site visited Oct. 17, 2022], Available from the internet URL: <https://tinyurl.com/6a6u6ct8> (Year: 2015).*

Permo Industrial Vintage Slope Pole Wall Mount Single Sconce, available in Amazon.com, date first available Jan. 20, 2019 [online], [site visited Oct. 17, 2022], Available from the internet URL: <https://a.co/d/h4lvqqF> (Year: 2019).*

* cited by examiner

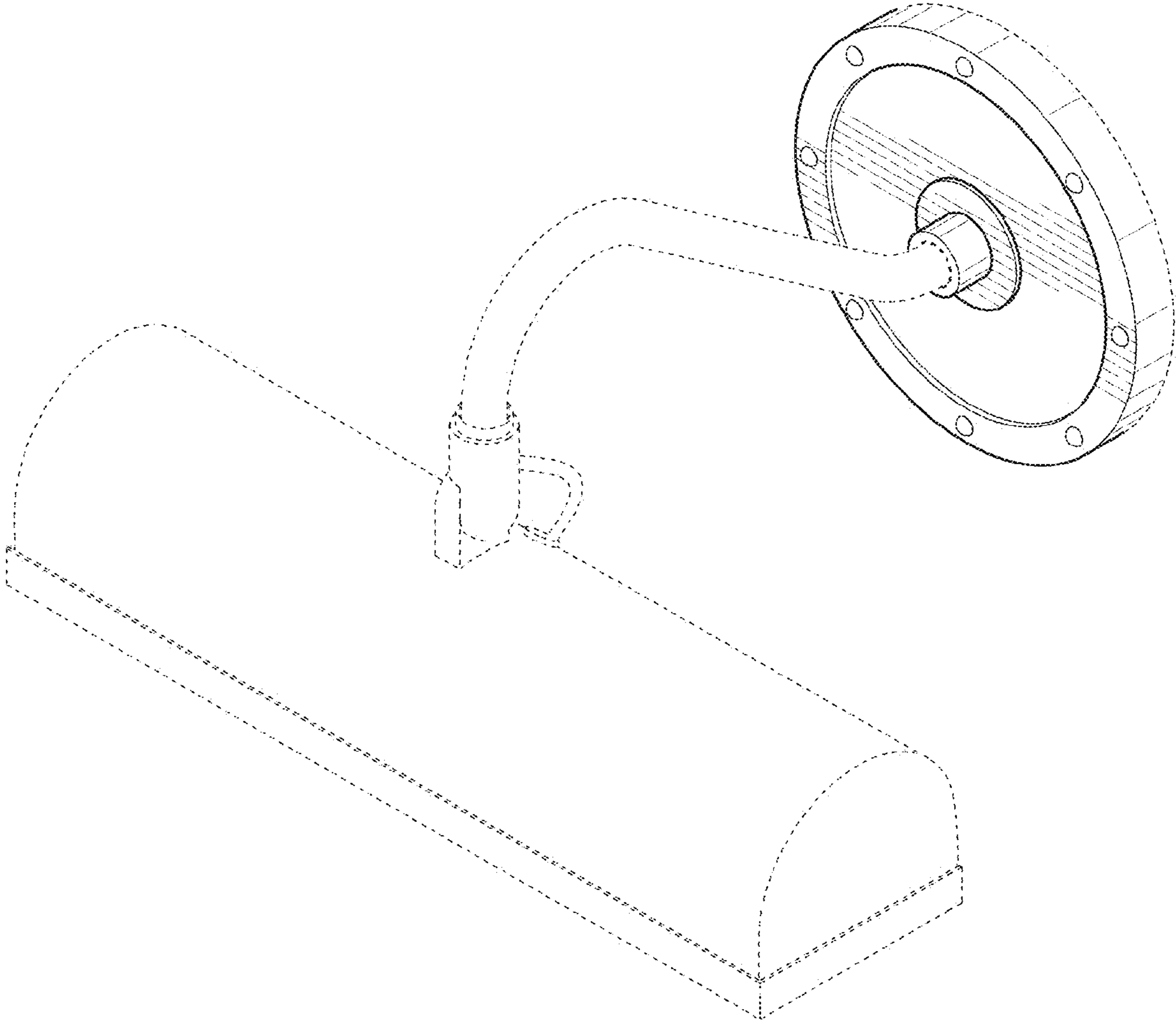


FIG. 1

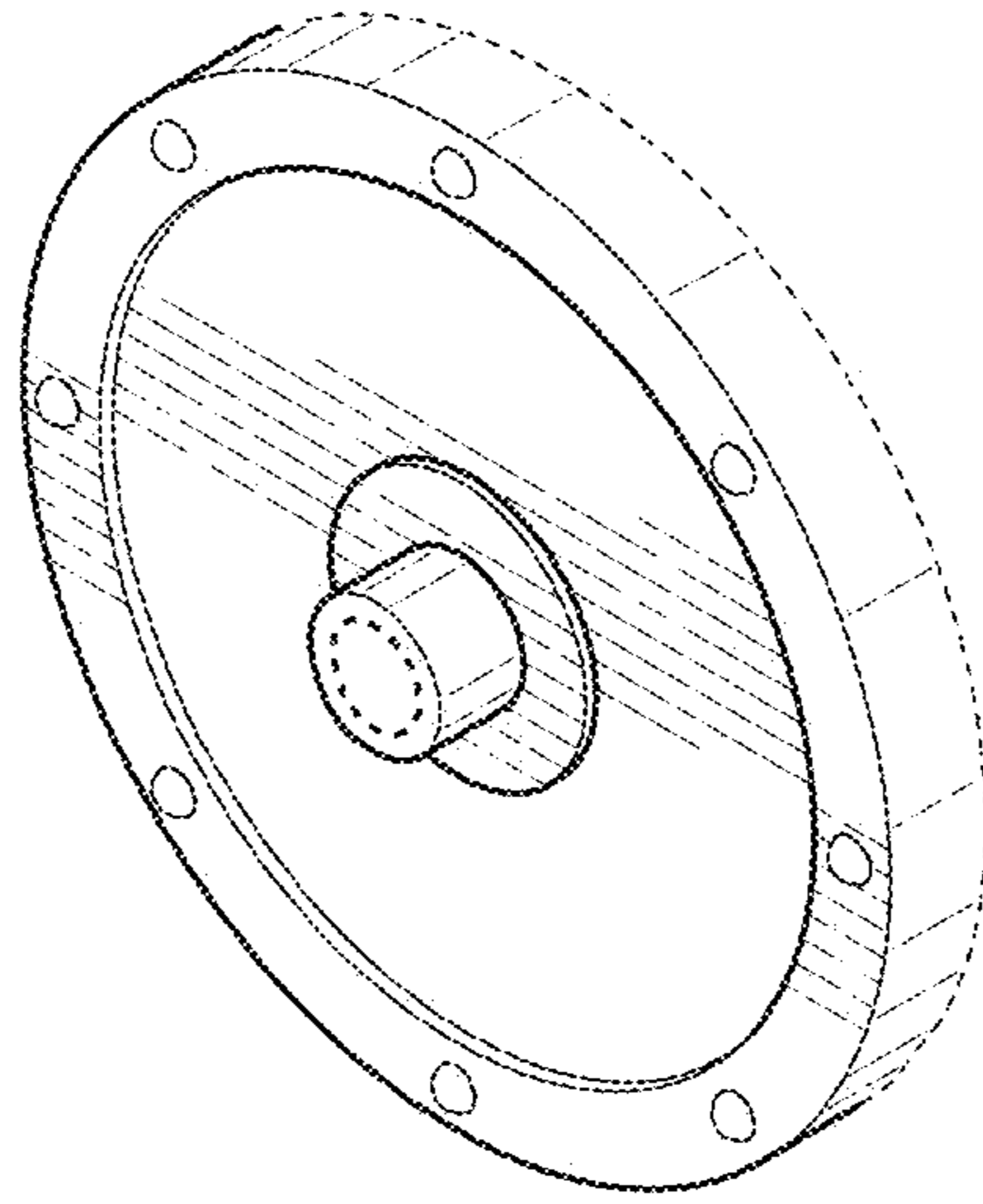


FIG. 2

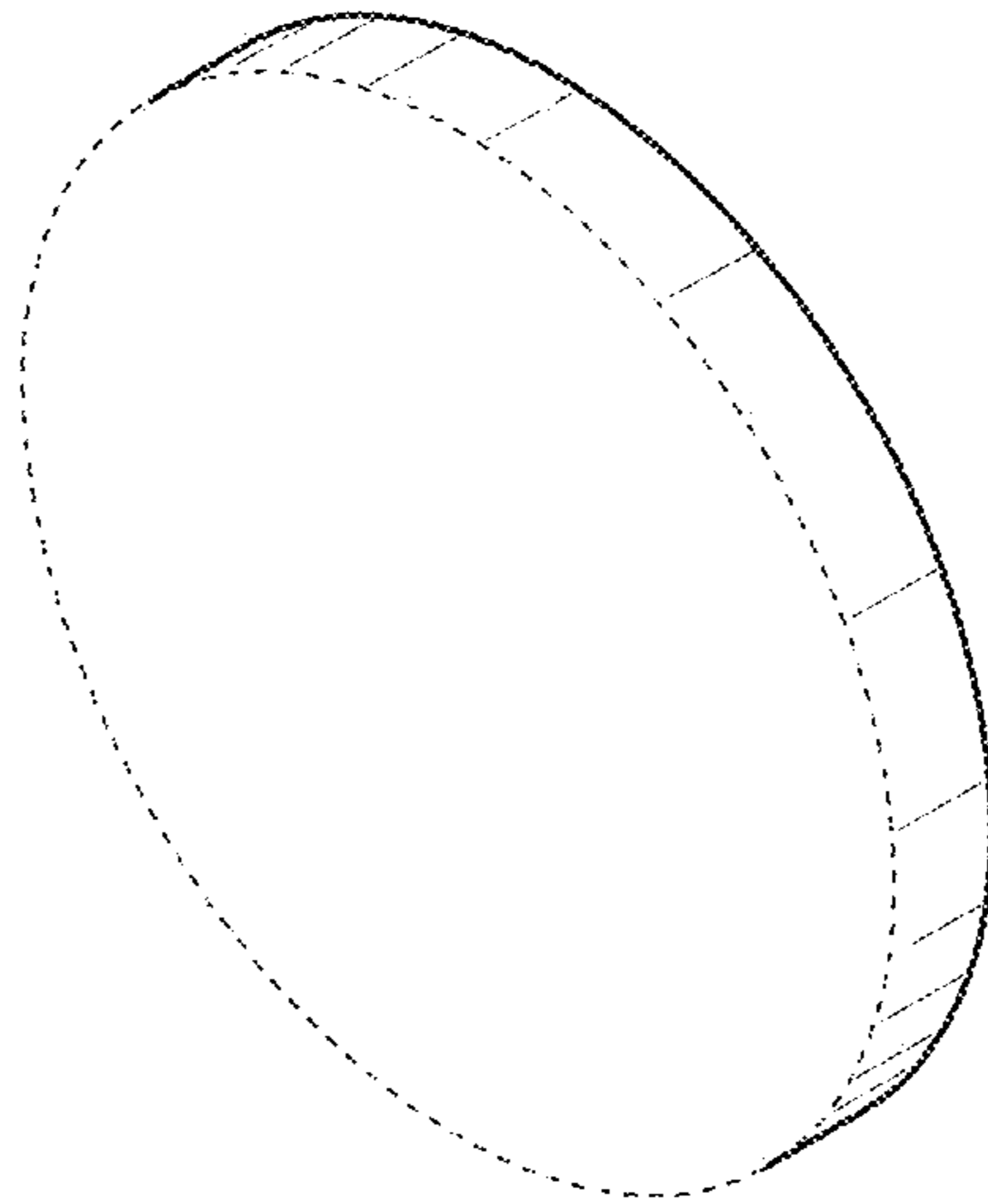


FIG. 3

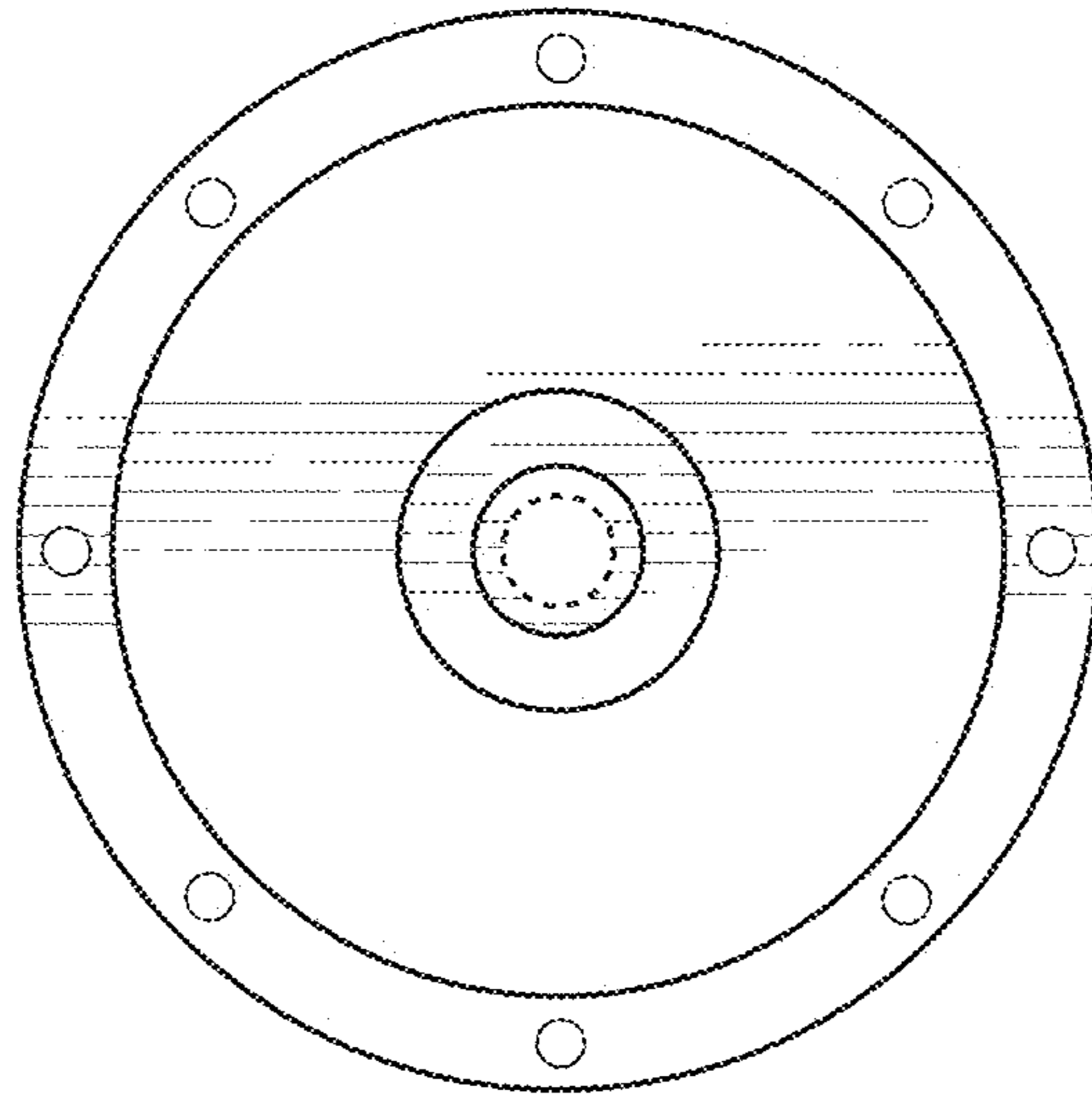


FIG. 4

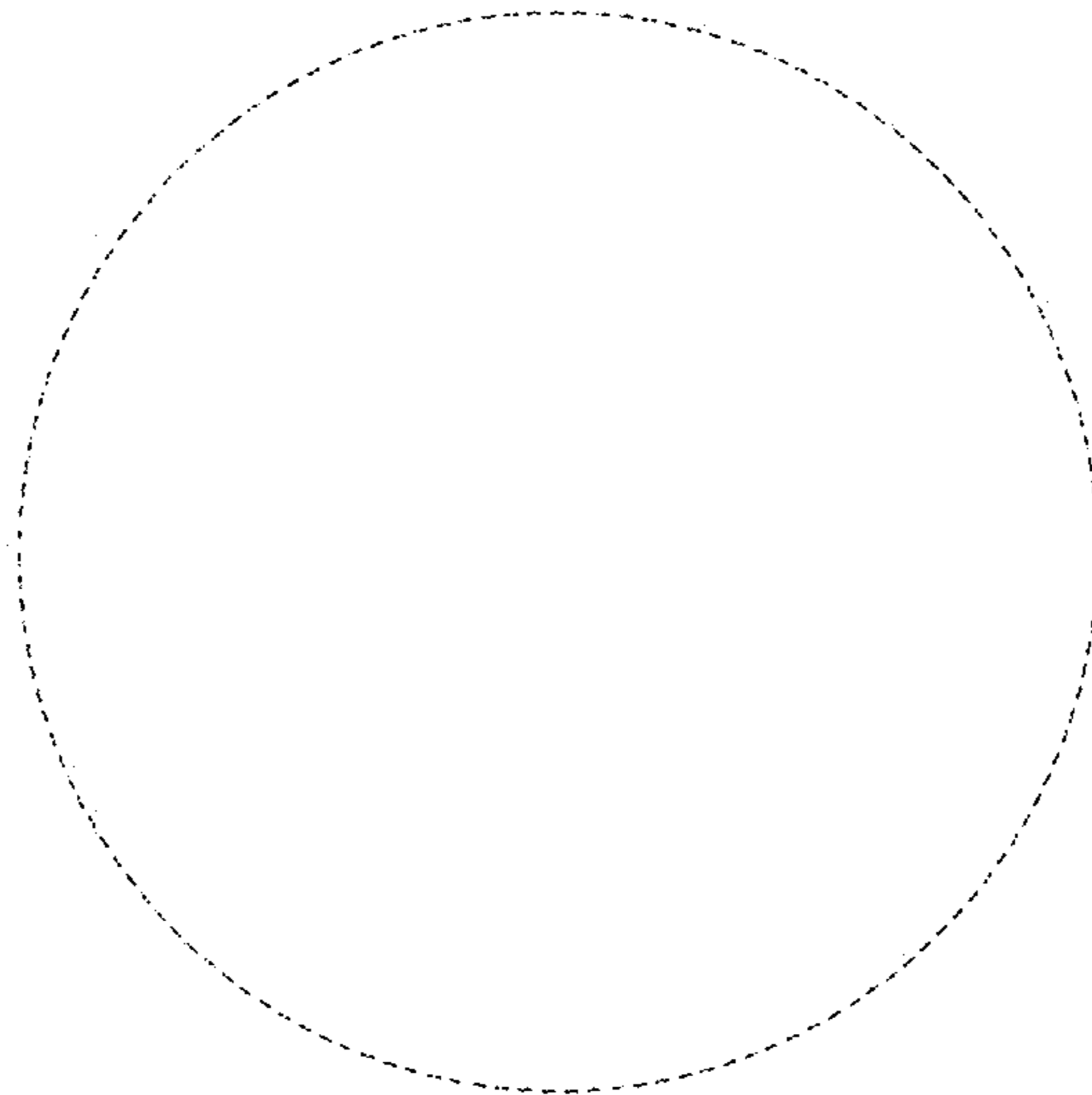


FIG. 5

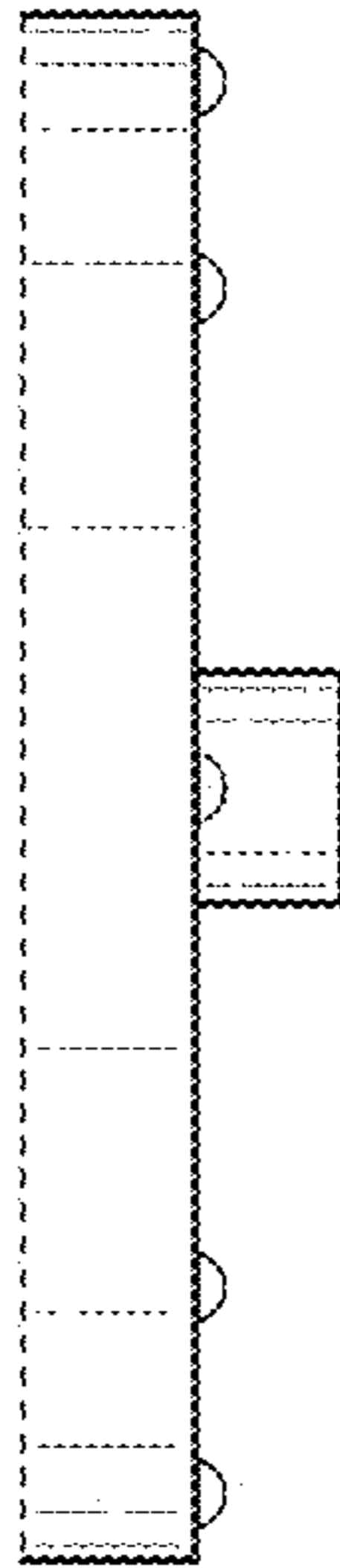


FIG. 6

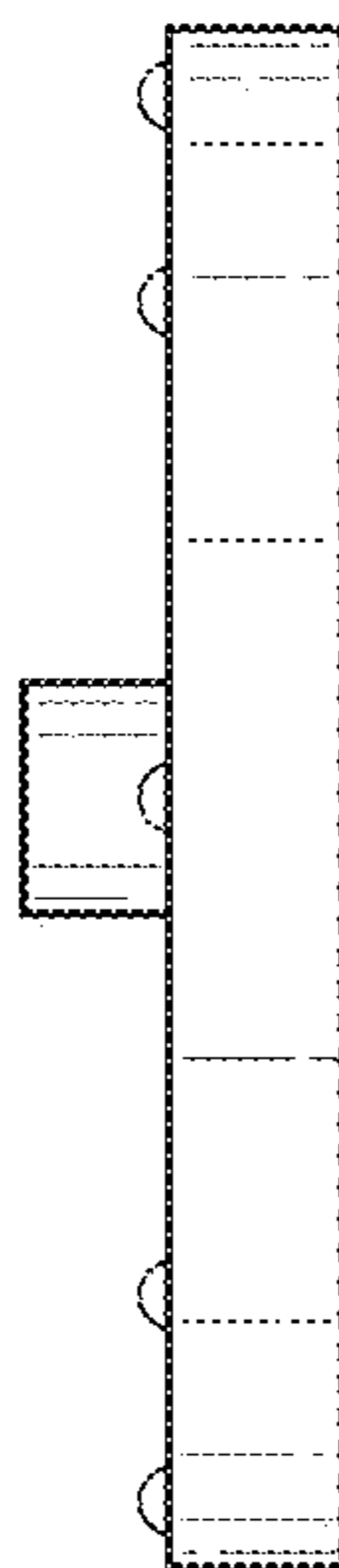


FIG. 7

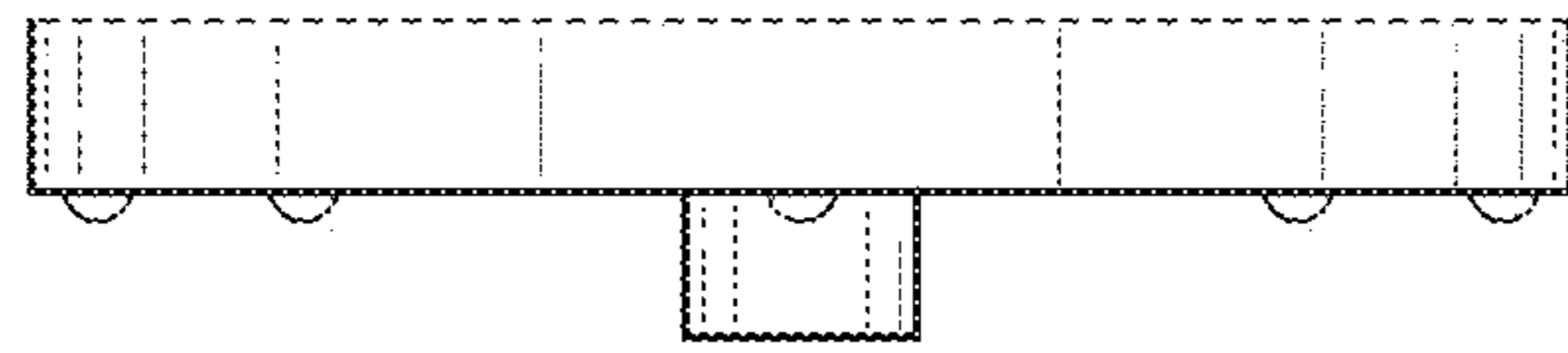


FIG. 8

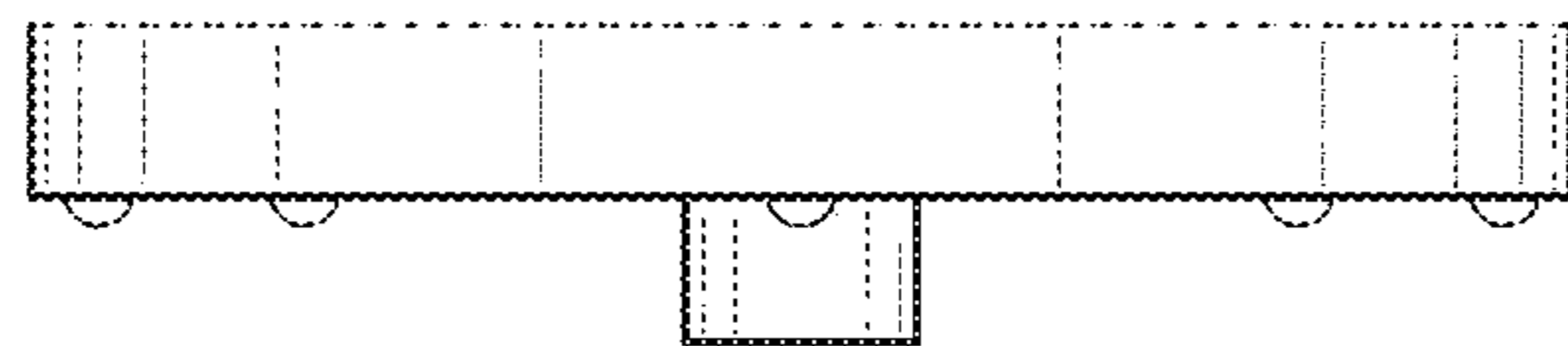


FIG. 9