



US00D976477S

(12) **United States Design Patent** (10) **Patent No.:** **US D976,477 S**
Amato et al. (45) **Date of Patent:** **** Jan. 24, 2023**

(54) **LIGHTING FIXTURE**

FOREIGN PATENT DOCUMENTS

(71) Applicant: **The Urban Electric Company**, North Charleston, SC (US)

KR 300682563 * 3/2013

(72) Inventors: **Michael Amato**, London (GB); **David Dawson**, Charleston, SC (US); **Hope S. Johnson**, Folly Beach, SC (US); **Jonathan Charpia**, Summerville, SC (US); **Brianna Magagnoli**, North Charleston, SC (US); **Kevin Langer**, Charleston, SC (US); **Janis Golubeckis**, Mount Pleasant, SC (US)

OTHER PUBLICATIONS

Canopy Kit for Chandelier or Pendant Light, available in Amazon.com, date first available Apr. 29, 2020 [online], [site visited Oct. 14, 2022], Available from the internet URL: https://www.amazon.com/Diameter-Chandelier-Accessory-Creative-Black-1pcs/dp/B087TJW1G7/ref=psdc_495224_t2_B07VT2NC6F?th=1 (Year: 2020).*

(Continued)

(73) Assignee: **The Urban Electric Company**, North Charleston, SC (US)

Primary Examiner — Brett Miller
Assistant Examiner — Jasmine L. Comedy

(**) Term: **15 Years**

(74) *Attorney, Agent, or Firm* — Haynsworth Sinkler Boyd, P.A.

(21) Appl. No.: **29/775,813**

(22) Filed: **Mar. 25, 2021**

(57) **CLAIM**

(51) **LOC (14) Cl.** **26-05**

The ornamental design for a lighting fixture, as shown and described.

(52) **U.S. Cl.**

USPC **D26/142**; D26/88

(58) **Field of Classification Search**

USPC D26/72, 80–92, 104, 113, 128–138, 142; D23/411

CPC F21S 8/04; F21S 8/03; F21S 8/06; F21V 21/02

See application file for complete search history.

DESCRIPTION

FIG. 1 is a bottom perspective view of a lighting fixture depicting a new design;

FIG. 2 is a top perspective view thereof;

FIG. 3 is a front elevational view thereof;

FIG. 4 is a back elevational view thereof;

FIG. 5 is a left elevational view thereof;

FIG. 6 is a right elevational view thereof;

FIG. 7 is a top plan view thereof; and,

FIG. 8 is a bottom plan view thereof.

The break lines shown in the drawings indicate that the appearance of any portion of the article between the break lines forms no part of the claimed design. The broken line disclosures in the views represent portions of the lighting fixture that form no part of the claimed design.

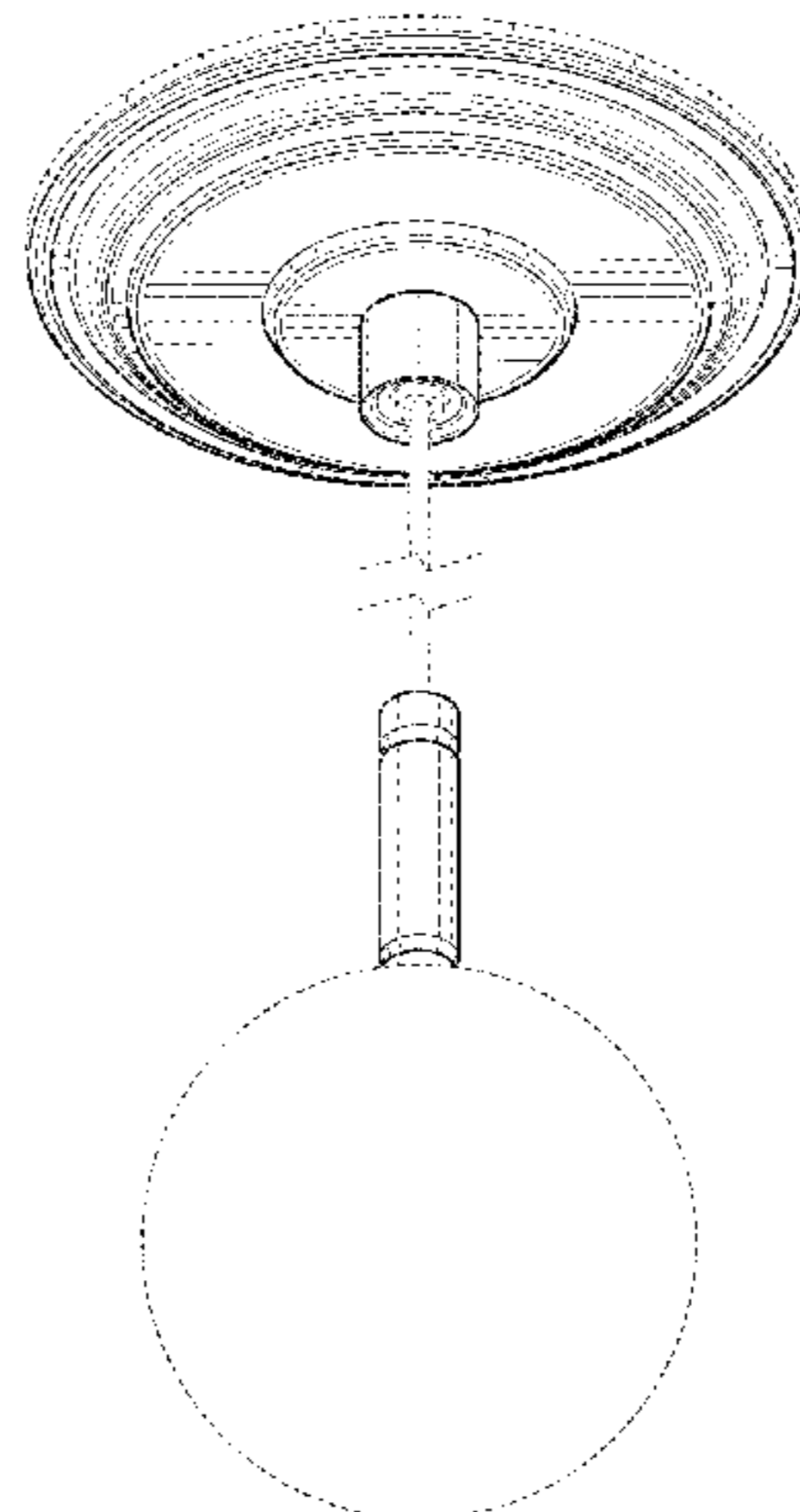
(56) **References Cited**

U.S. PATENT DOCUMENTS

D263,499 S	*	3/1982	Markowitz	D23/411
D267,195 S	*	12/1982	Gomes	D23/411
D270,943 S	*	10/1983	Dennis	D23/411
D411,644 S	*	6/1999	Chen	D26/142
D425,655 S	*	5/2000	Dolan	D26/142
D446,880 S	*	8/2001	Lin	D26/142
D584,442 S	*	1/2009	Benensohn	D26/89
D622,443 S	*	8/2010	Huang	D26/142
D707,344 S	*	6/2014	Wang	D23/411
D766,491 S	*	9/2016	Lee	D26/88

(Continued)

1 Claim, 7 Drawing Sheets



(56)

References Cited

U.S. PATENT DOCUMENTS

D857,279 S * 8/2019 Grcic F21S 8/04
D26/88
D898,275 S * 10/2020 Solterbeck D26/142
D903,935 S * 12/2020 Amato D26/104

OTHER PUBLICATIONS

EUL Mid Century Modern Globe Pendant Light, available in Amazon.com, date first available Aug. 1, 2020 [online], [site visited Oct. 19, 2022], Available from the internet URL: <https://www.amazon.com/EUL-Century-Pendant-Hanging-Fixture/dp/B08BHWKZCK?th=1> (Year: 2020).*

Modo Lighting 1-Light Globe Pendant Lights, available in Amazon.com, date first available Sep. 25, 2019 [online], [site visited Oct. 19, 2022], Available from the internet URL: <https://www.amazon.com/Modo-Lighting-1-Light-Pendant-Chandelier/dp/B07YCDZYNC> (Year: 2019).*

* cited by examiner

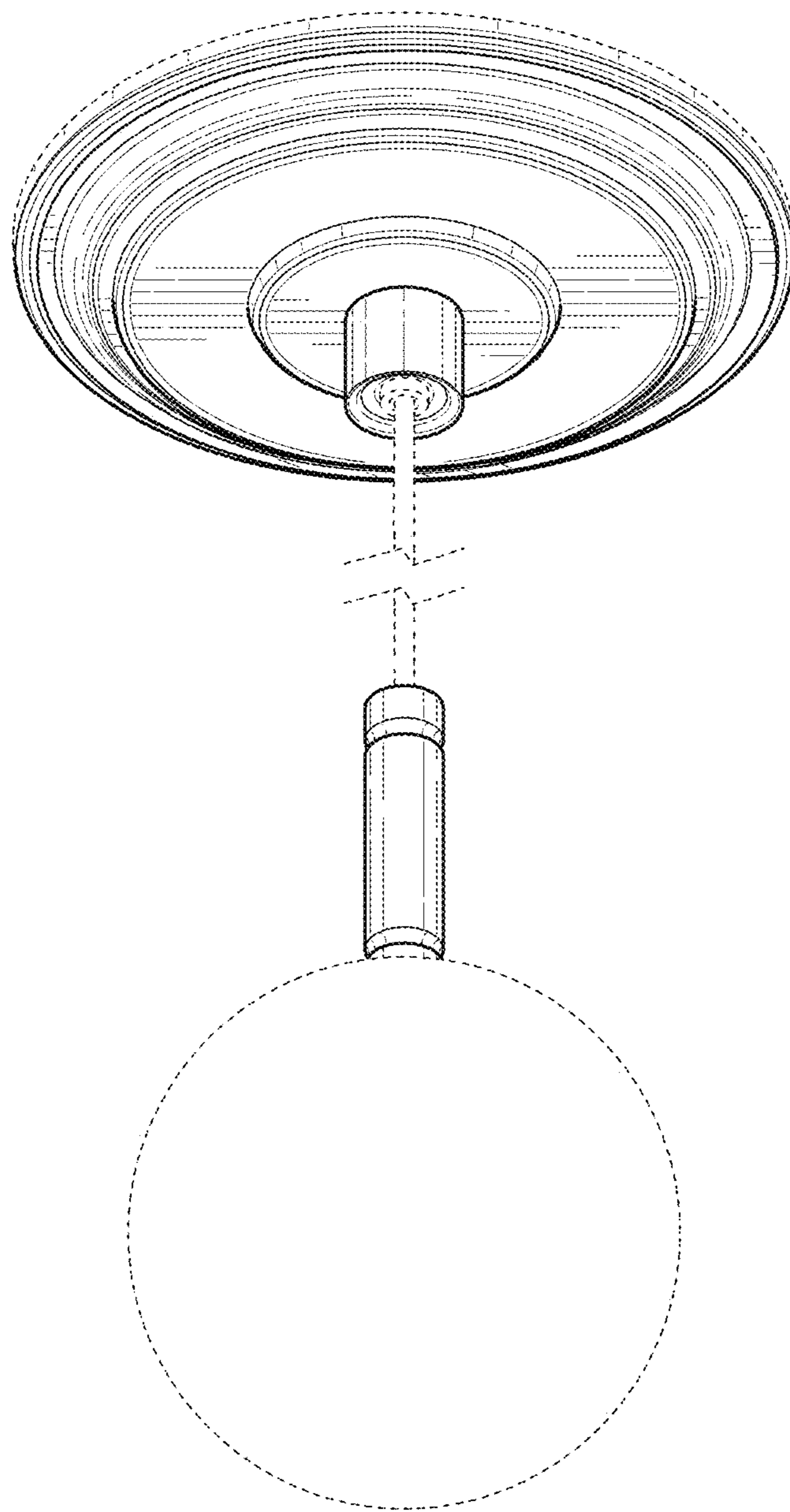


FIG. 1

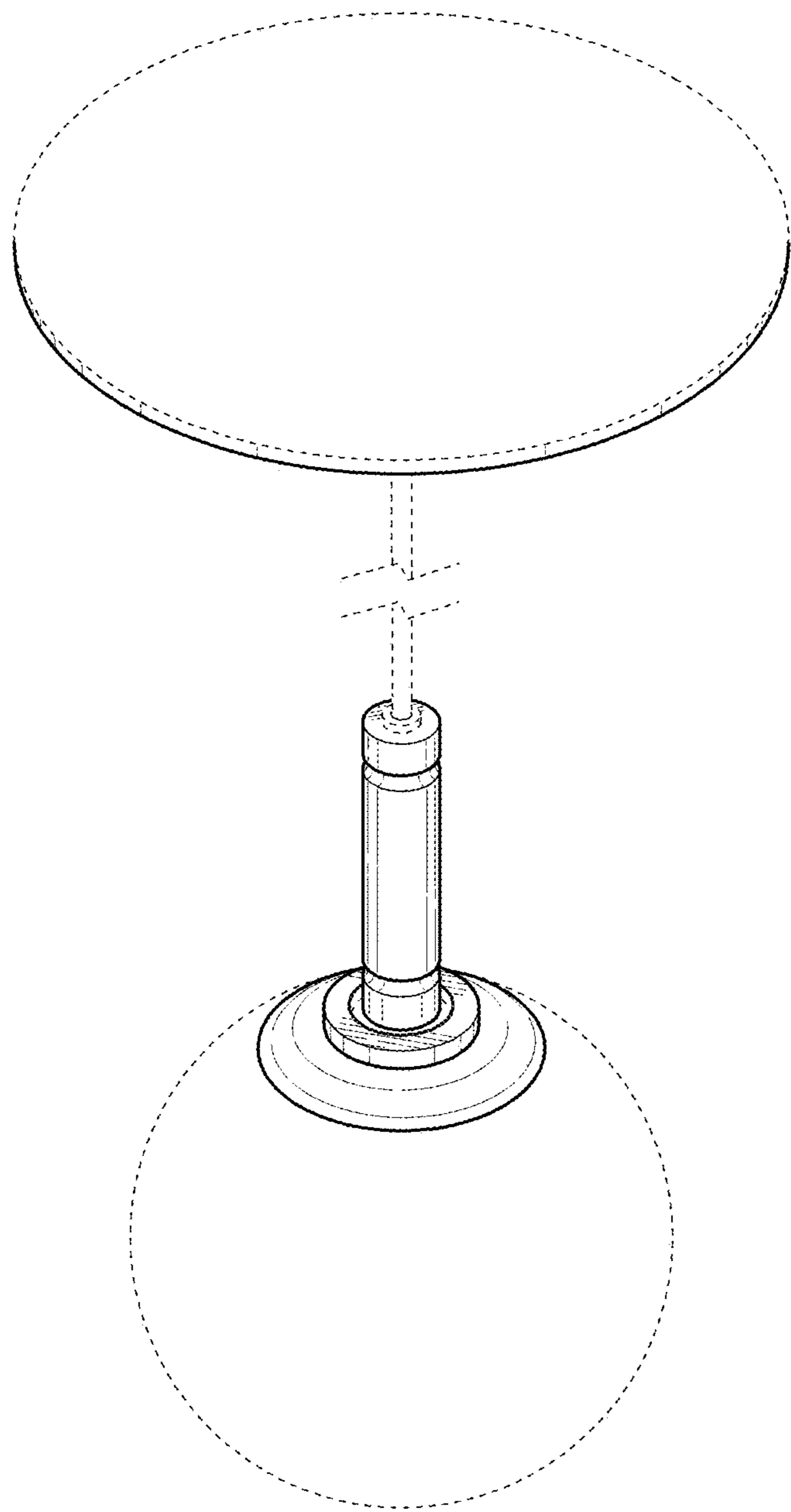


FIG. 2

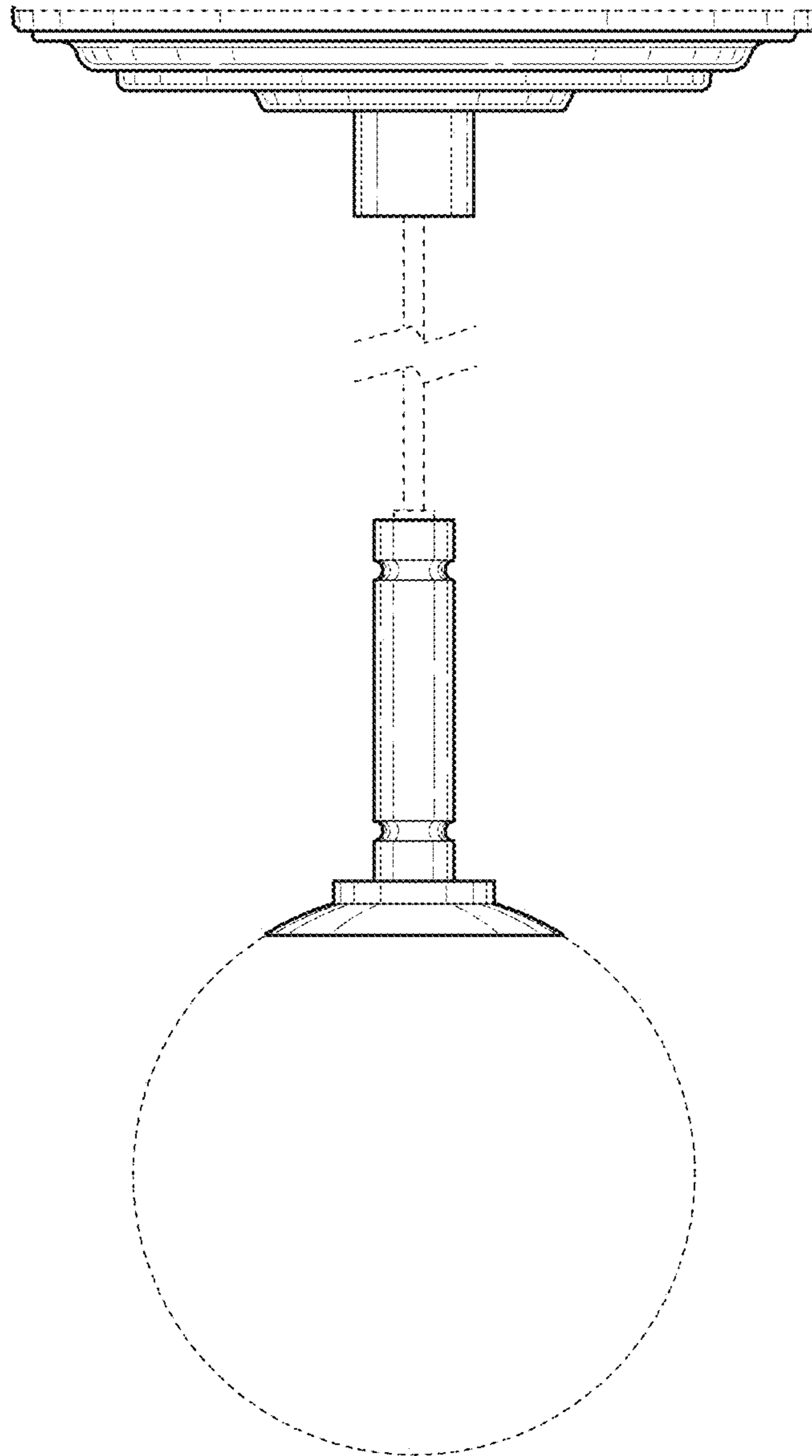


FIG. 3

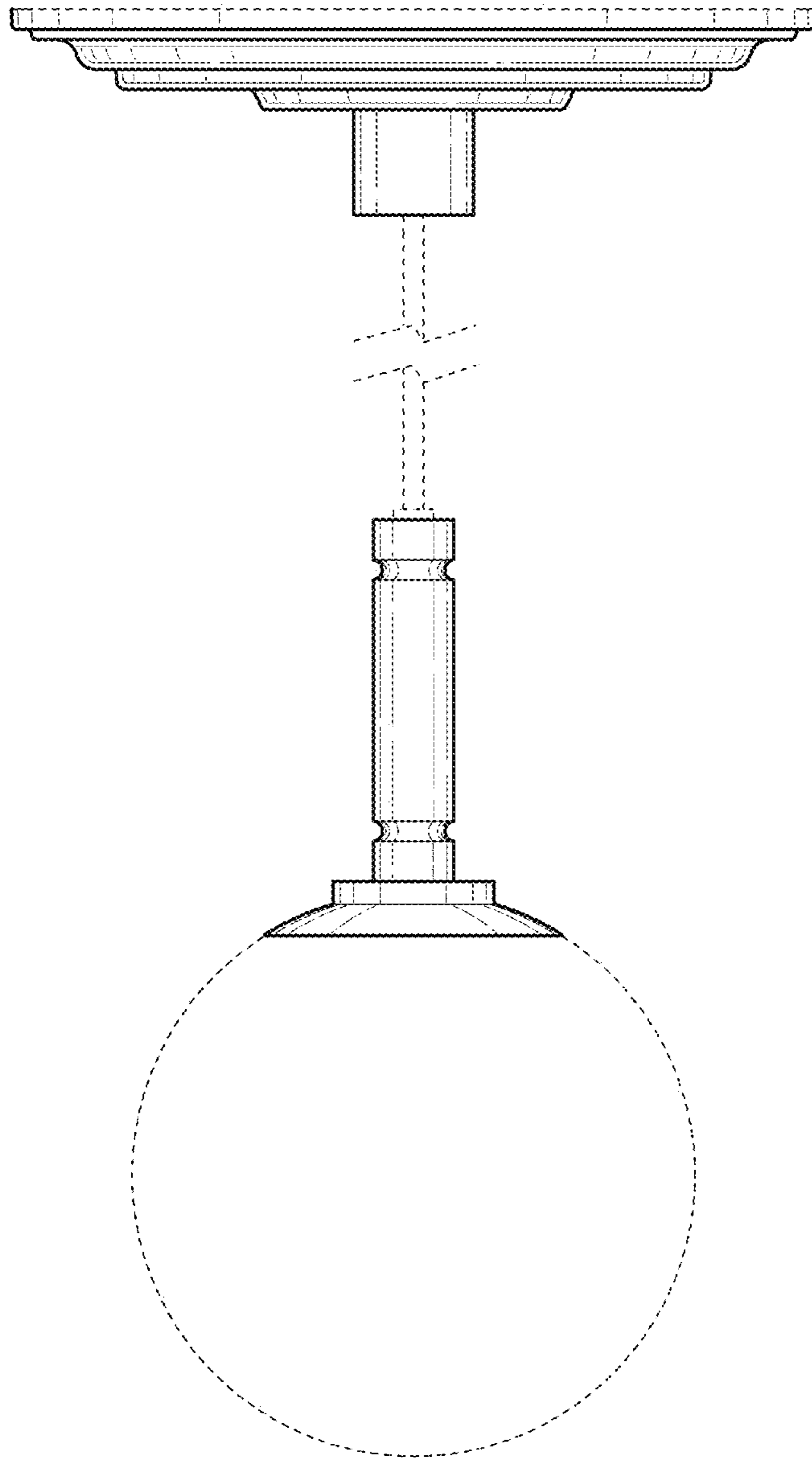


FIG. 4

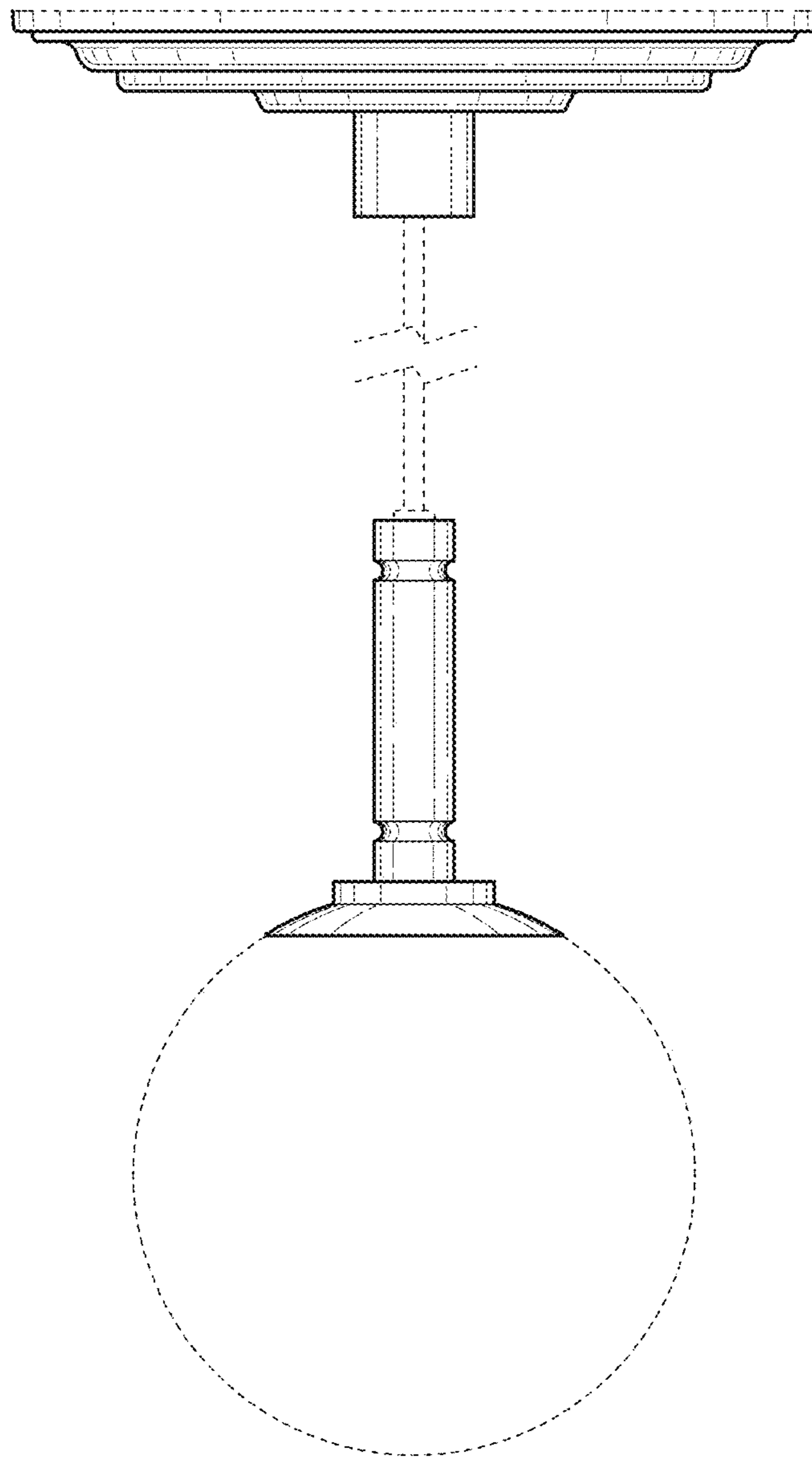


FIG. 5

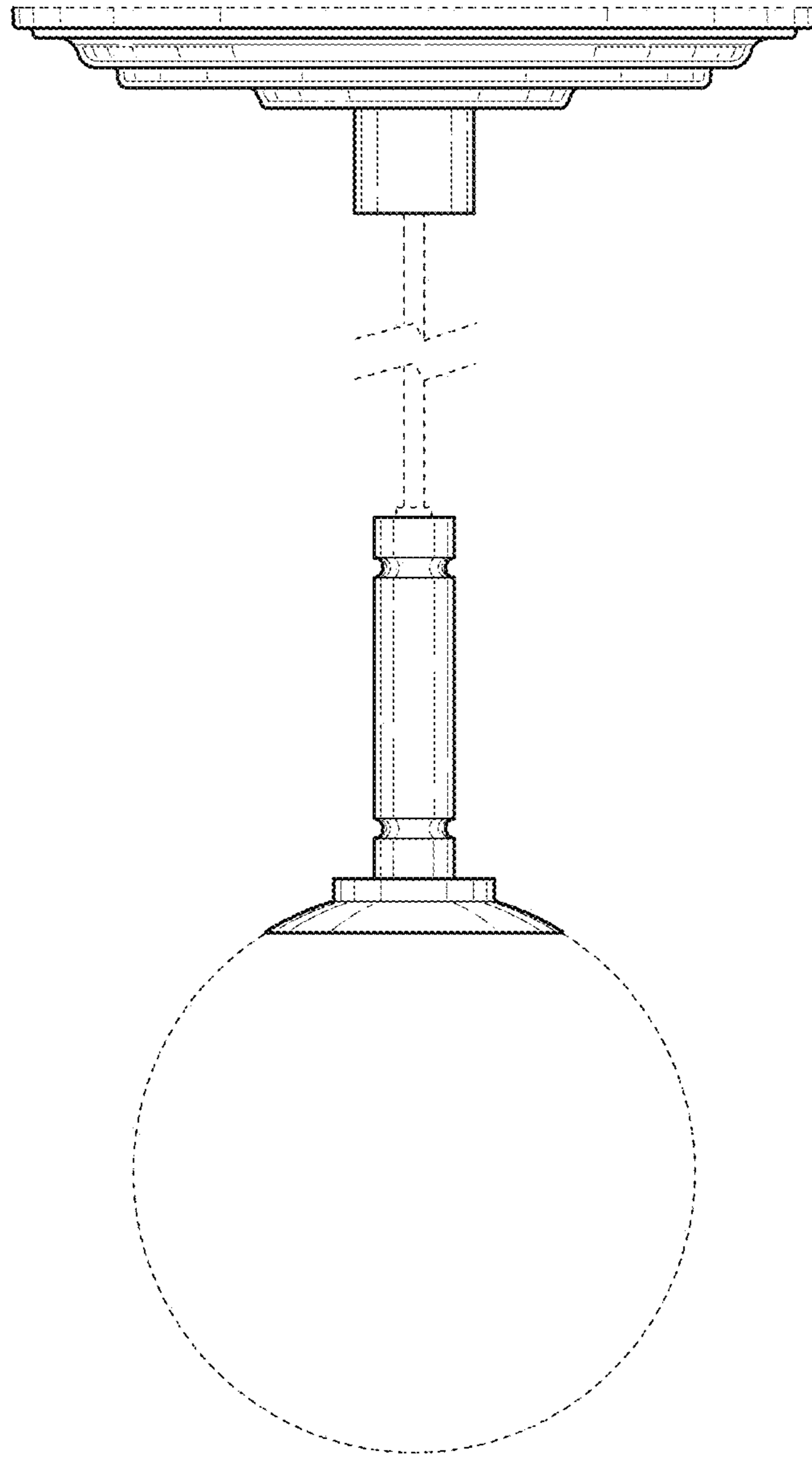


FIG. 6

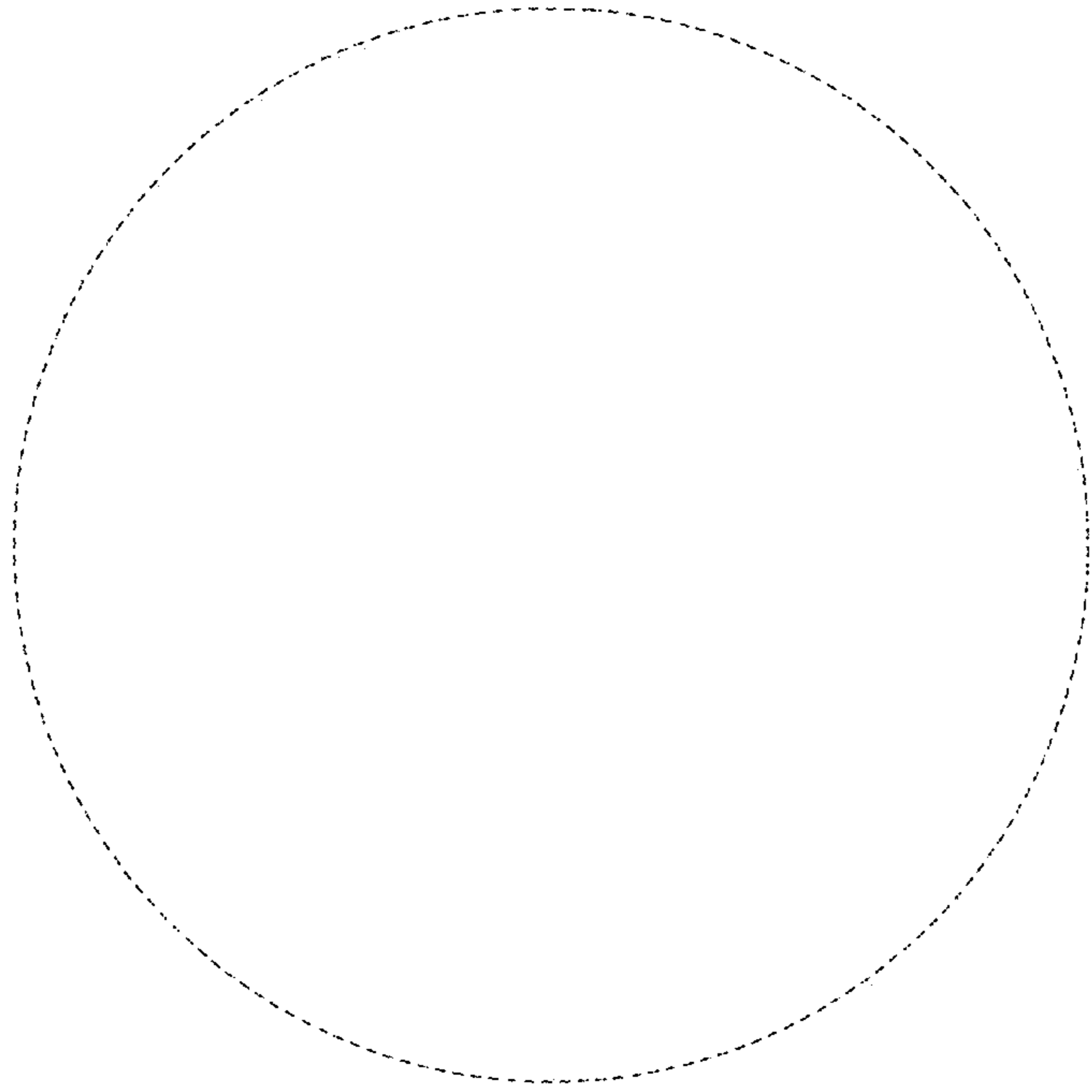


FIG. 7

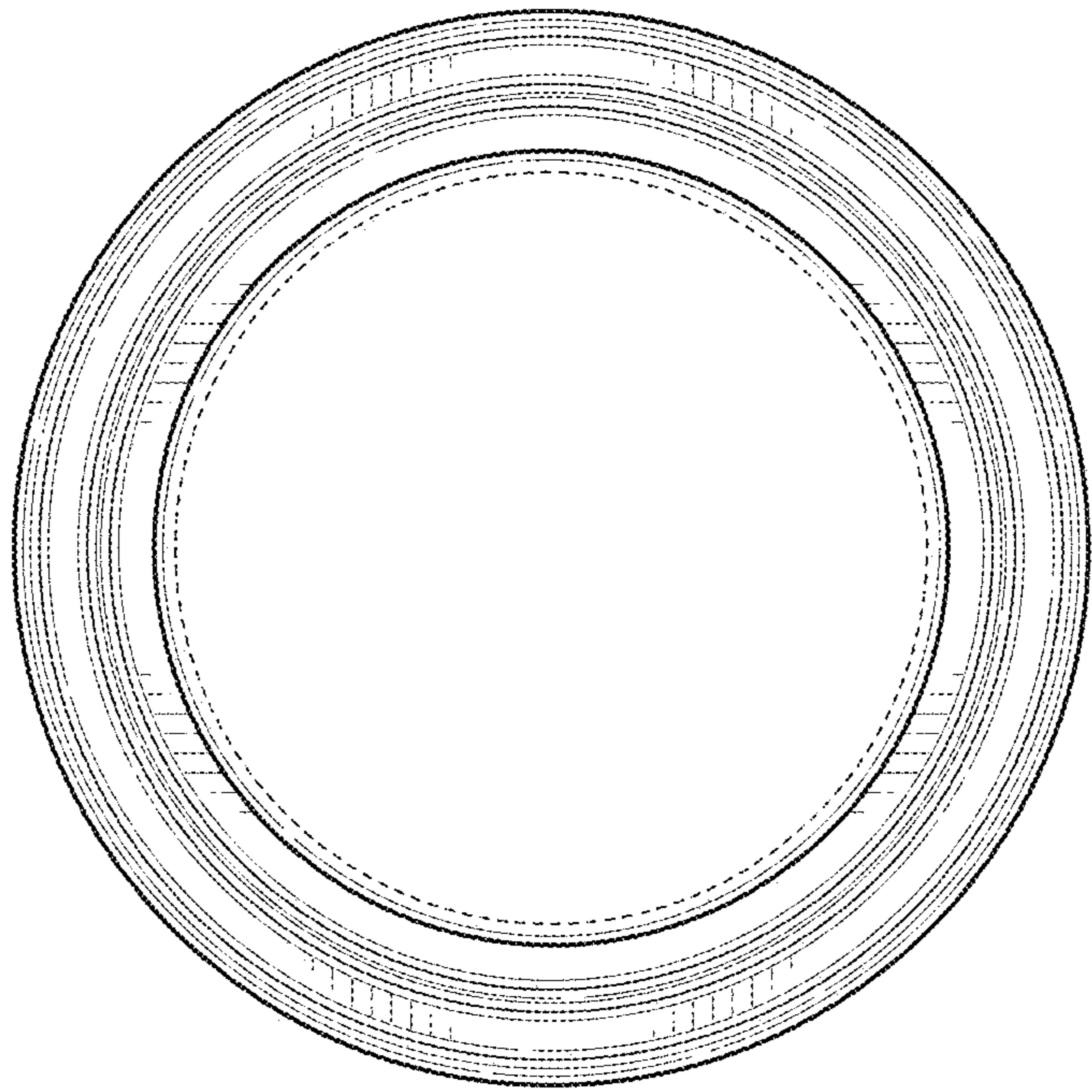


FIG. 8