



US00D976476S

(12) **United States Design Patent**
Zheng

(10) **Patent No.:** **US D976,476 S**
(45) **Date of Patent:** **** Jan. 24, 2023**

(54) **STRING LIGHT SUPPORT**

(71) Applicant: **Hangzhou Juxing Intelligent Technology Co., Ltd.**, Hangzhou (CN)

(72) Inventor: **Hongbing Zheng**, Hangzhou (CN)

(73) Assignee: **HANGZHOU JUXING INTELLIGENT TECHNOLOGY CO., LTD.**, Hangzhou (CN)

(**) Term: **15 Years**

(21) Appl. No.: **29/833,758**

(22) Filed: **Apr. 6, 2022**

(51) **LOC (14) Cl.** **26-05**

(52) **U.S. Cl.**
USPC **D26/138**

(58) **Field of Classification Search**
USPC D26/25, 72, 74, 76, 78–83, 85, 86, 88, D26/90, 93, 111, 113, 118, 119, 120, 121, D26/122, 138, 139, 140, 141, 142, 152
CPC F21S 2/00; F21S 4/00; F21S 4/003; F21S 4/005; F21S 4/006; F21S 4/007; F21S 4/008; F21S 6/00; F21S 8/00; F21S 8/024; F21S 8/026; F21S 8/031; F21S 8/033; F21S 8/035–037; F21S 8/04; F21S 8/043; F21S 8/063

See application file for complete search history.

(56) **References Cited**

U.S. PATENT DOCUMENTS

D321,410 S * 11/1991 Layne D26/138
D336,528 S 6/1993 Murata
D340,299 S * 10/1993 Murata D26/25
D346,790 S 5/1994 Krehbiel
D372,993 S * 8/1996 Murata D26/25
D375,453 S * 11/1996 Fleck D8/395
D379,247 S * 5/1997 Stangland D26/138
6,382,812 B1 5/2002 Hsu

6,824,293 B2 11/2004 Chang
7,118,249 B2 10/2006 Hsu et al.
8,007,130 B2 8/2011 Wu
8,070,347 B1 12/2011 Lin
8,469,750 B2 6/2013 Chen
8,480,278 B2 7/2013 Wasem
D687,292 S * 8/2013 Angel D8/395
9,306,352 B1 4/2016 Lin
D786,493 S 5/2017 Hughes et al.
9,933,124 B2 4/2018 Ticktin et al.
10,100,986 B2 10/2018 Lin
D865,232 S 10/2019 Wu
D869,012 S * 12/2019 Zhu D26/25
D898,986 S 10/2020 Gold
D914,271 S * 3/2021 Wang D26/138

(Continued)

FOREIGN PATENT DOCUMENTS

CN 112332166 A 2/2021
EP 2267357 12/2010

Primary Examiner — Natasha Vujcic

(74) *Attorney, Agent, or Firm* — Leong C. Lei

(57) **CLAIM**

The ornamental design for a string light support, as shown and described.

DESCRIPTION

FIG. 1 is a perspective view of a string light support showing my present design;

FIG. 2 is a front view thereof;

FIG. 3 is a rear view thereof;

FIG. 4 is a left side view thereof;

FIG. 5 is a right side view thereof;

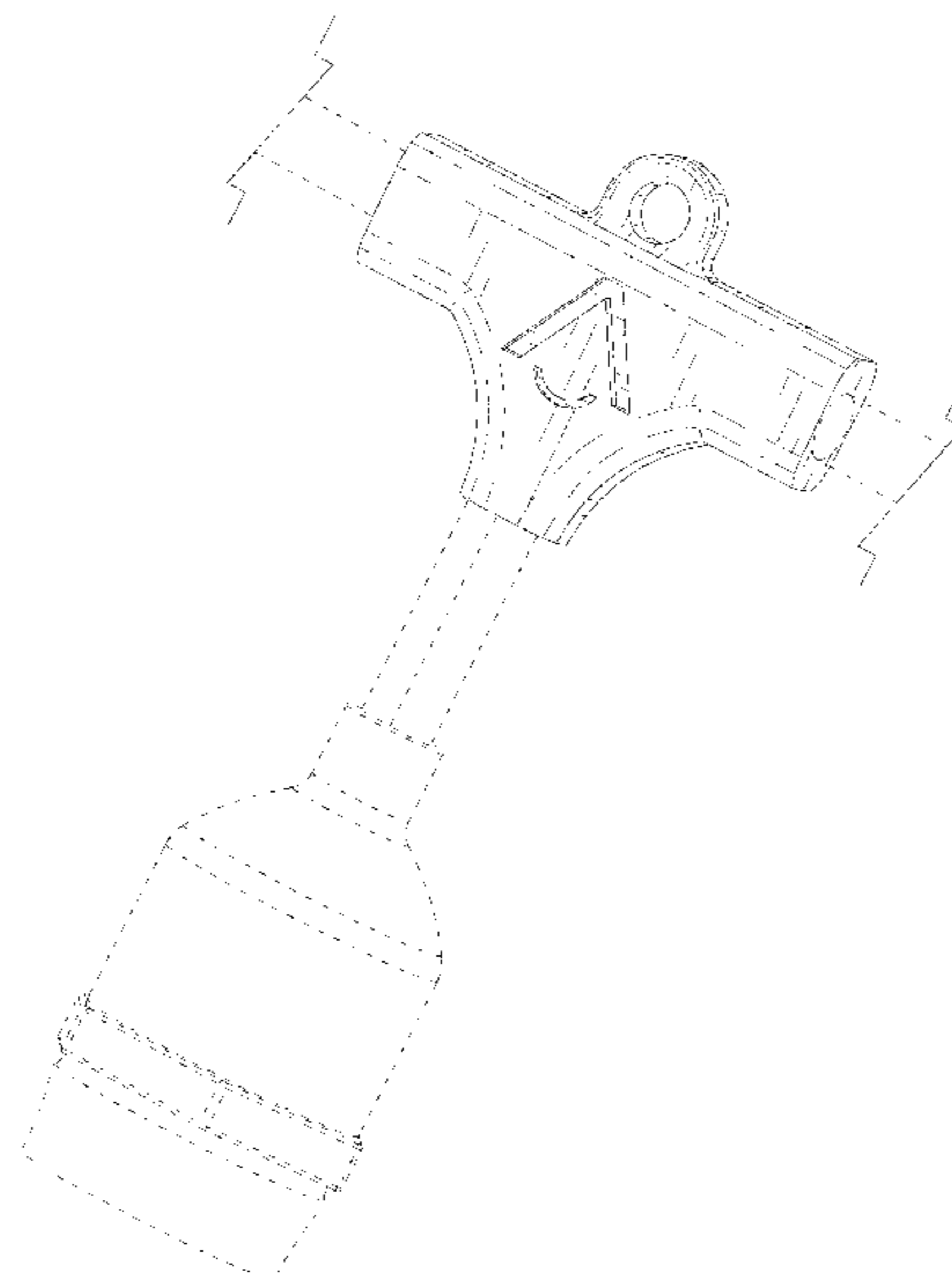
FIG. 6 is a top view thereof;

FIG. 7 is a bottom view thereof; and,

FIG. 8 is another perspective view thereof.

The broken lines in the drawings illustrate portions of the string light support and its environment which form no part of the claimed design.

1 Claim, 8 Drawing Sheets



(56)

References Cited

U.S. PATENT DOCUMENTS

D915,644	S	4/2021	Lin	
D916,333	S *	4/2021	Liang	D26/25
D918,438	S	5/2021	Lentz et al.	
D918,440	S	5/2021	Li	
D919,127	S *	5/2021	Zhou	D26/25
11,073,261	B1	7/2021	Huang	
D940,919	S *	1/2022	Jin	D26/4
D950,112	S *	4/2022	Zheng	D26/25
D966,573	S *	10/2022	Hu	D26/25
2010/0328953	A1	12/2010	Wu	
2017/0138577	A1	5/2017	Lin et al.	
2020/0032986	A1	1/2020	Zhang	

* cited by examiner

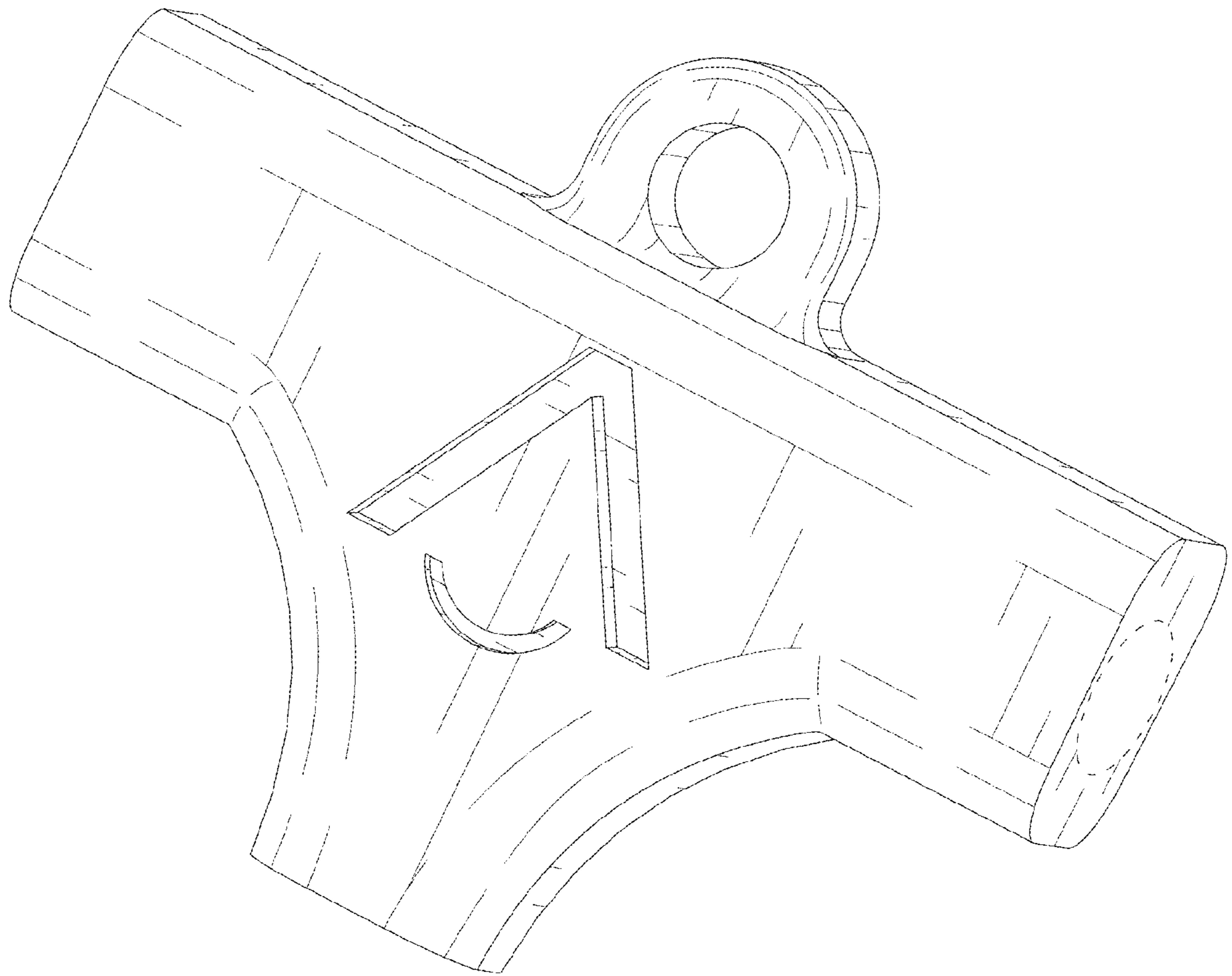


FIG. 1

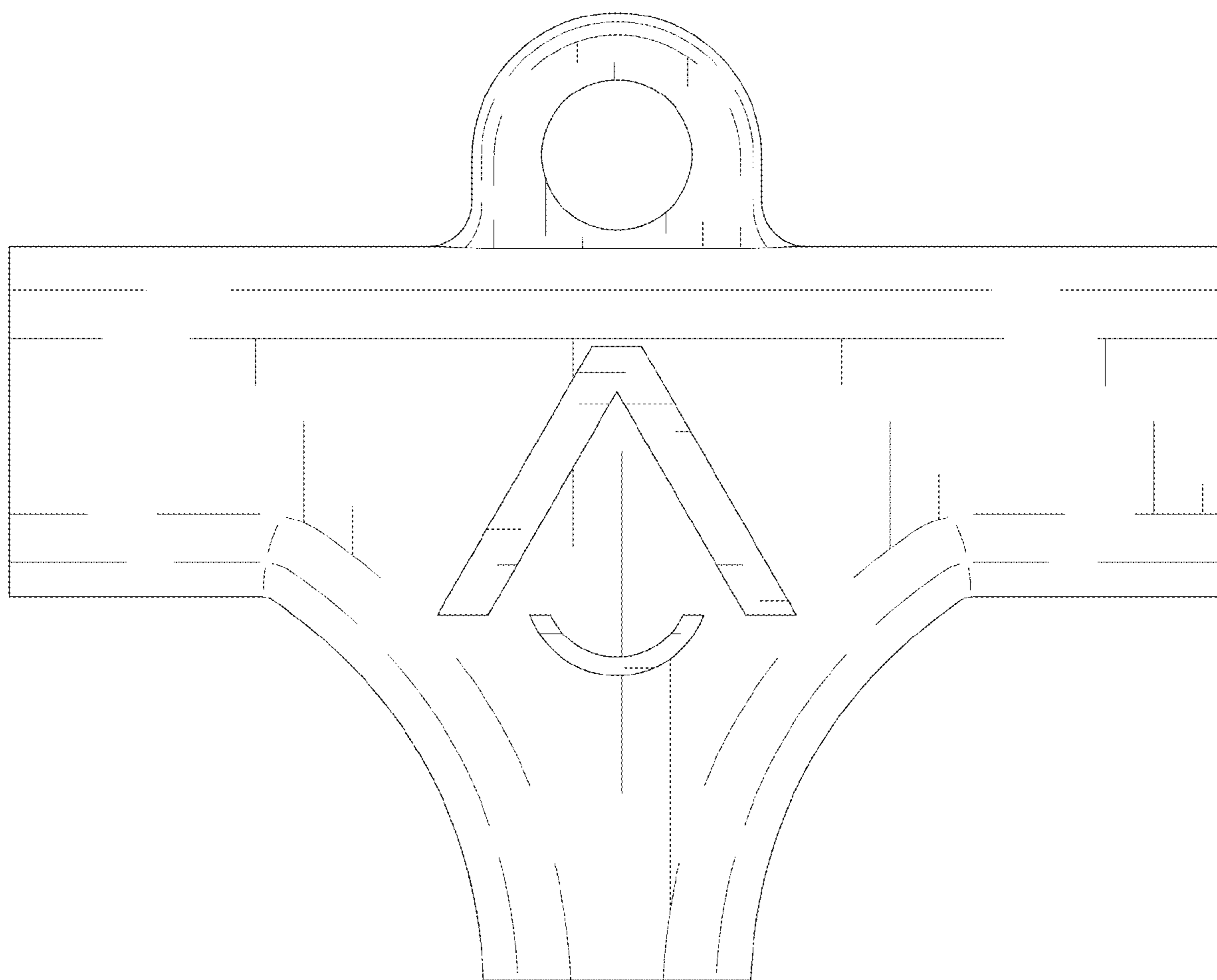


FIG. 2

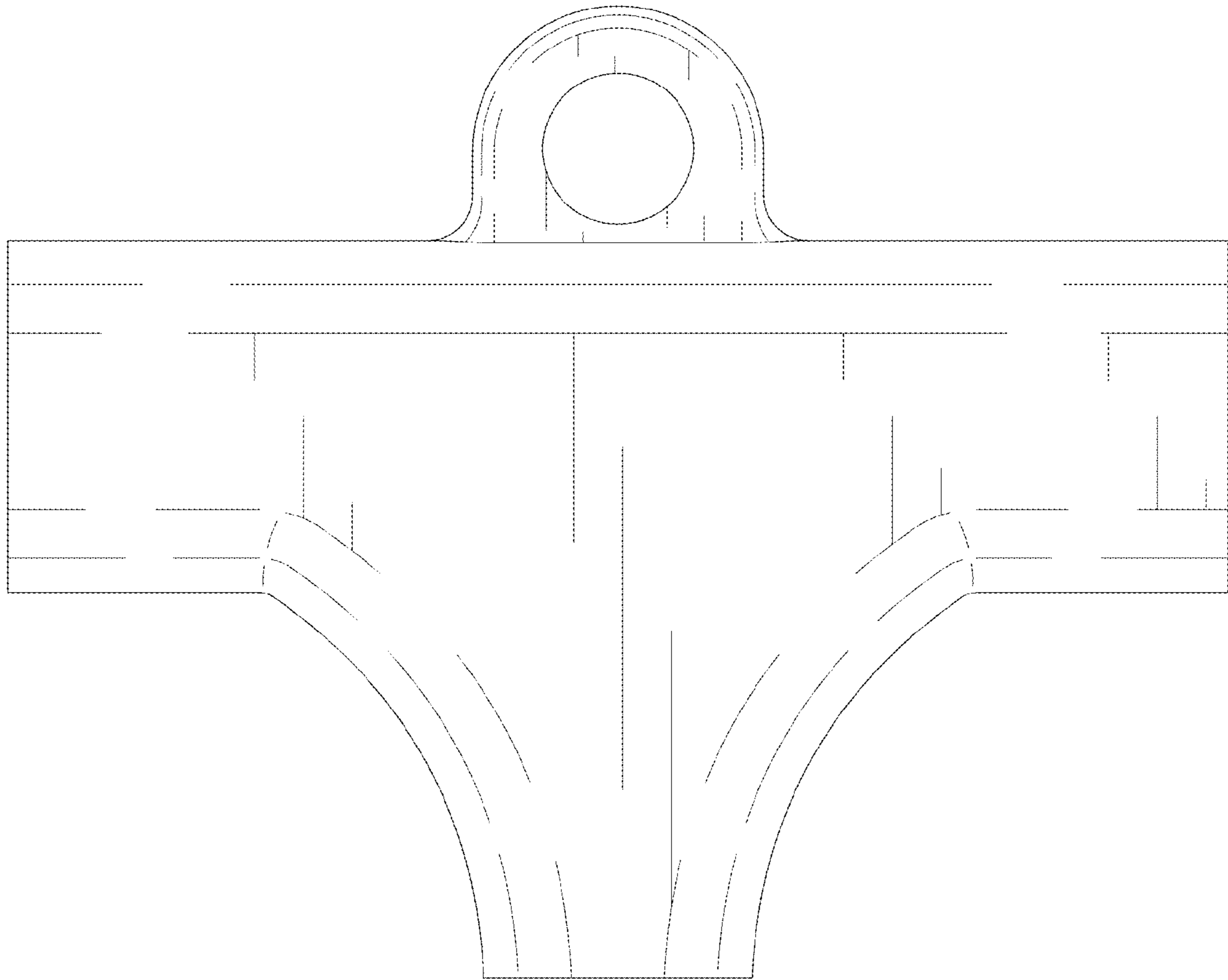


FIG. 3

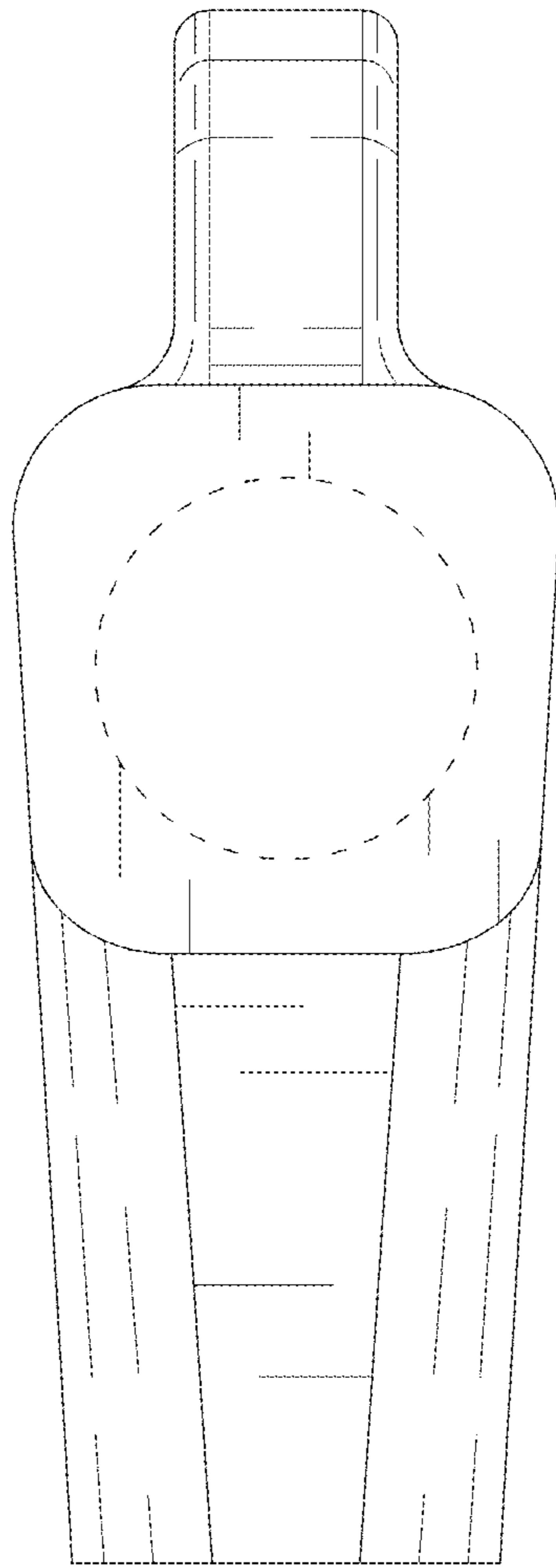


FIG. 4

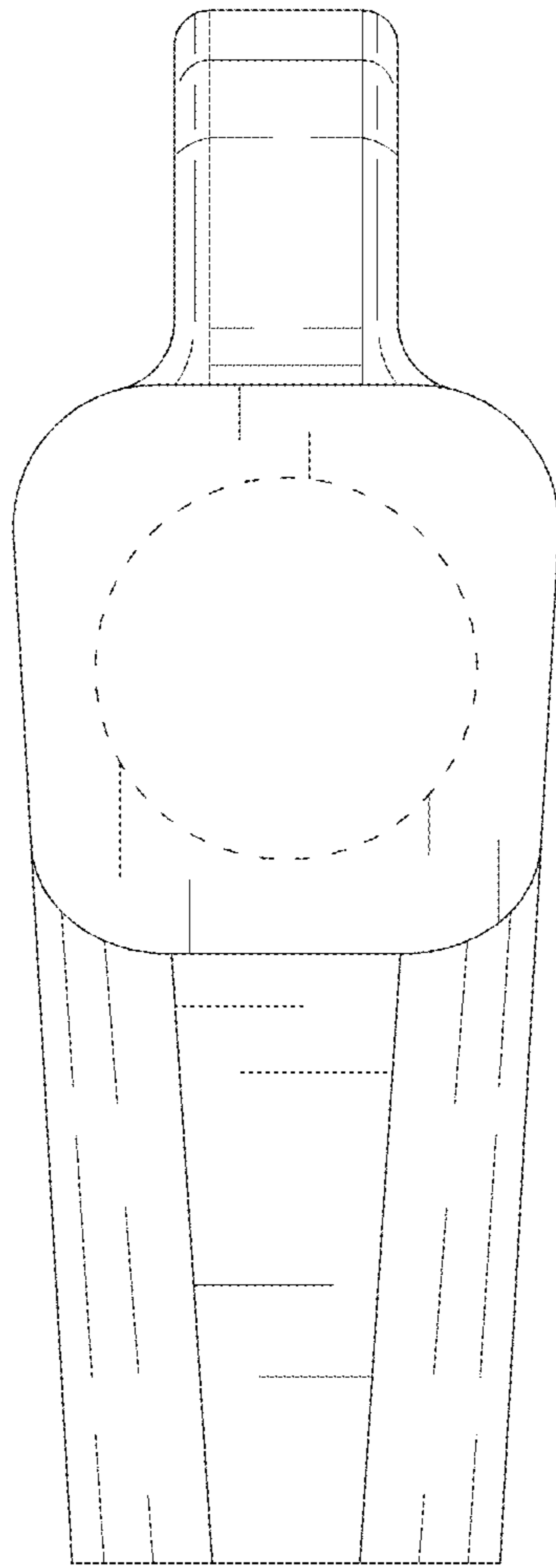
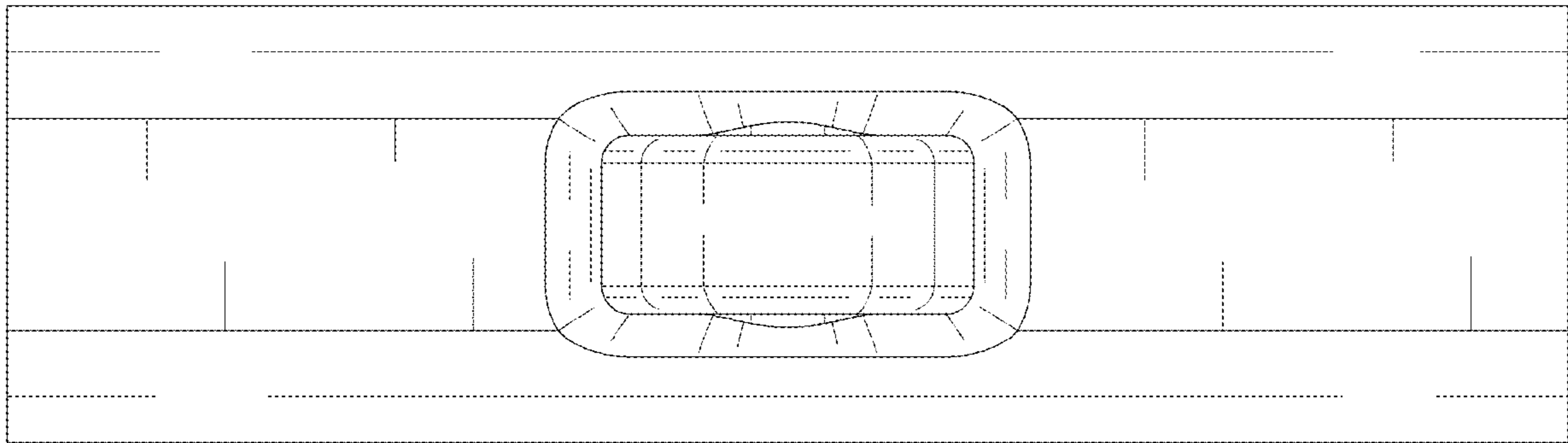


FIG. 5



F I G . 6

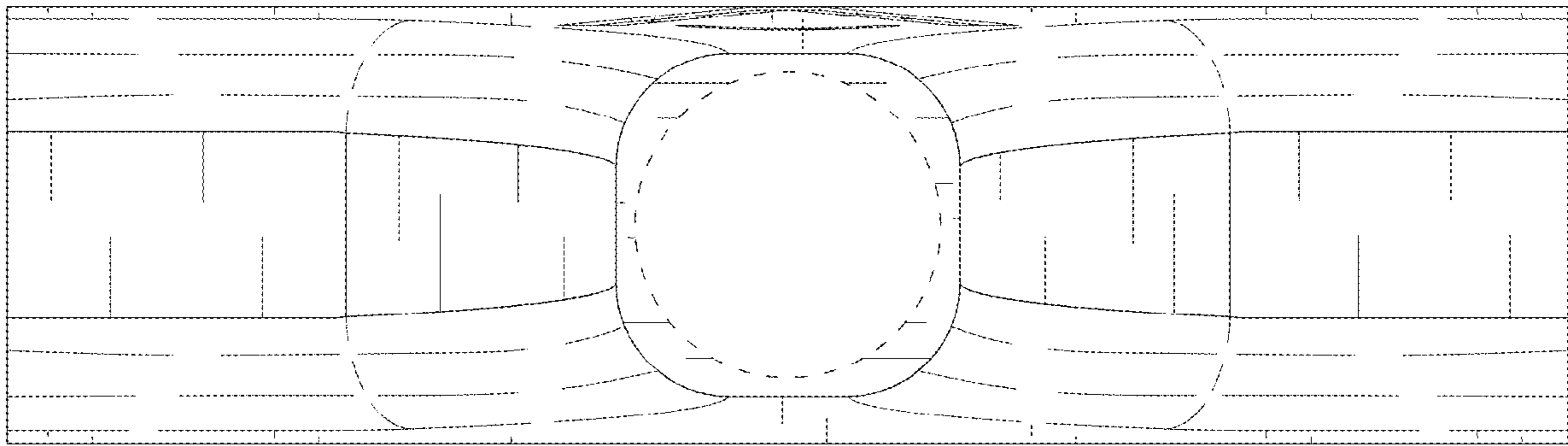
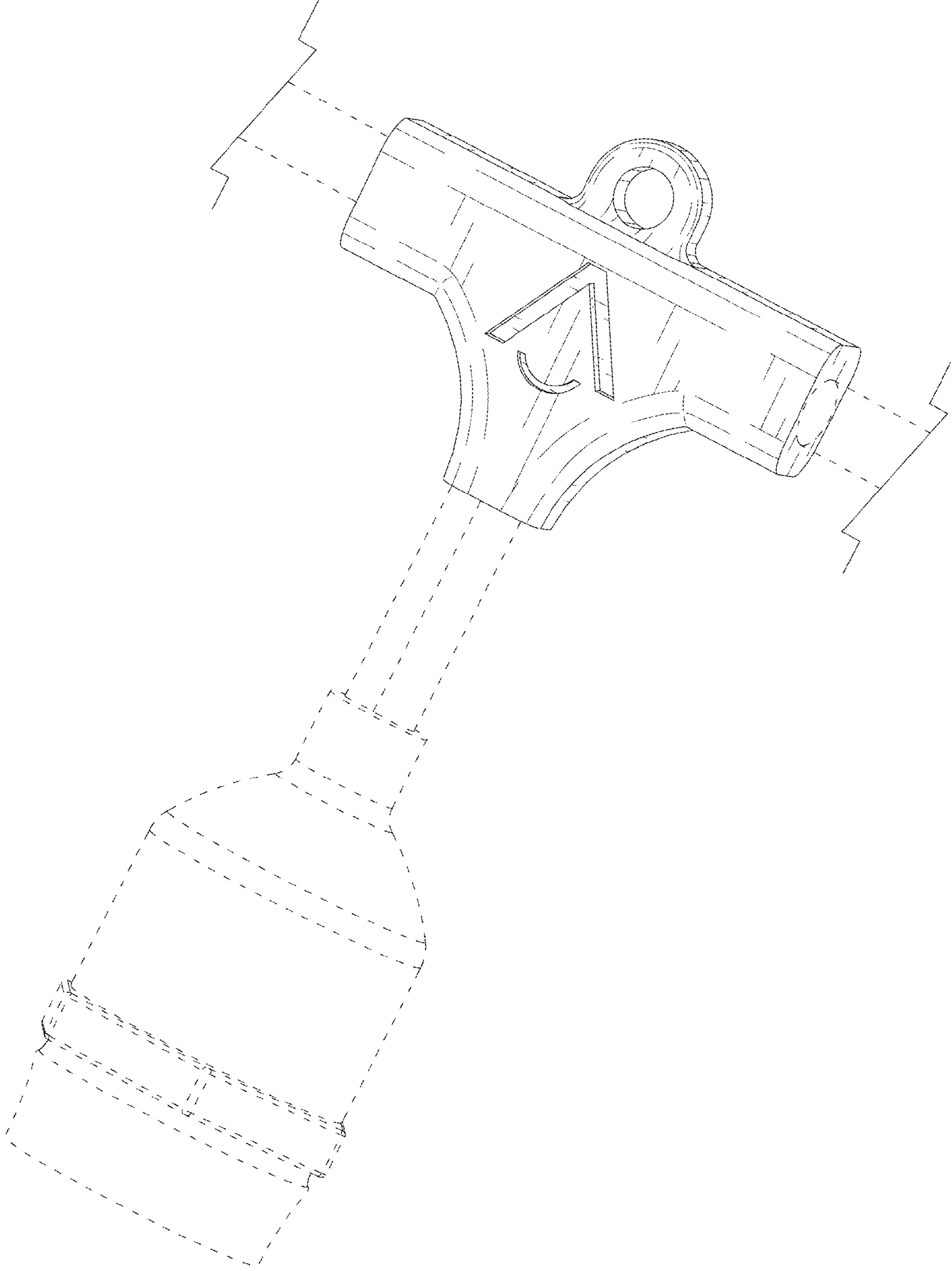


FIG. 7



F I G . 8