



US00D976474S

(12) **United States Design Patent** (10) **Patent No.:** **US D976,474 S**  
**Yuan** (45) **Date of Patent:** **\*\* Jan. 24, 2023**

(54) **OPTICAL LENS**  
(71) Applicant: **Huizhou Kunbo Industrial Co., Ltd.**,  
Huizhou (CN)  
(72) Inventor: **Ruifeng Yuan**, Huizhou (CN)  
(\*\*) Term: **15 Years**  
(21) Appl. No.: **29/783,917**  
(22) Filed: **May 17, 2021**  
(51) **LOC (14) Cl.** ..... **26-05**  
(52) **U.S. Cl.**  
USPC ..... **D26/120**  
(58) **Field of Classification Search**  
USPC ..... D26/24, 28, 35, 76, 80, 118, 119, 120,  
D26/122, 134, 138, 129  
CPC ..... F21V 5/00; F21V 5/02; F21V 5/04; F21V  
5/08; F21V 5/007; F21V 1/00; F21V  
1/14; F21V 1/20; F21V 1/22; F21V  
15/01; F21V 15/012; F21V 3/00; F21V  
5/045; F21S 41/25; F21S 41/26; F21S  
41/255; F21S 41/286; F21Y 2103/00;  
G02B 1/041; G02B 13/18; G02B  
13/0045; G02B 9/64  
See application file for complete search history.

(56) **References Cited**  
U.S. PATENT DOCUMENTS  
D348,950 S \* 7/1994 Herst ..... D26/85  
D511,787 S \* 11/2005 Galli ..... D16/134  
D558,813 S \* 1/2008 Muramatsu ..... D16/134  
D608,806 S \* 1/2010 Chern ..... D16/101  
D608,808 S \* 1/2010 Cheng ..... D16/101  
D611,077 S \* 3/2010 Chern ..... D16/101  
D615,696 S \* 5/2010 Hecht ..... D26/122  
D677,831 S \* 3/2013 Lin ..... D26/120  
D716,995 S \* 11/2014 Zhu ..... D26/122  
D723,211 S \* 2/2015 Hsu ..... D26/122  
D727,558 S \* 4/2015 Tang ..... D26/120

D731,703 S \* 6/2015 Yang ..... D26/120  
D760,416 S \* 6/2016 Hoch ..... D26/118  
D775,407 S 12/2016 Datz et al.  
D792,639 S 7/2017 Deyaf et al.  
D797,362 S 9/2017 Deyaf et al.  
D797,363 S \* 9/2017 Deyaf ..... D26/120  
D797,364 S \* 9/2017 Deyaf ..... D26/120  
D797,366 S \* 9/2017 Deyaf ..... D26/120  
D840,092 S \* 2/2019 Herre ..... D26/120  
D899,672 S \* 10/2020 Schrama ..... D26/120  
11,320,107 B1 \* 5/2022 Shih ..... F21S 41/143  
11,393,961 B2 \* 7/2022 Tarsa ..... G02B 19/0071  
D962,534 S \* 8/2022 Yang ..... D26/28  
2017/0254504 A1 \* 9/2017 Mallory ..... F21V 5/08  
2018/0294389 A1 \* 10/2018 Tarsa ..... G02B 19/0061  
2022/0231207 A1 \* 7/2022 Tarsa ..... F21V 5/045

\* cited by examiner

*Primary Examiner* — Wan Laymon  
*Assistant Examiner* — Clint A Samuel  
(74) *Attorney, Agent, or Firm* — Rumit Ranjit Kanakia

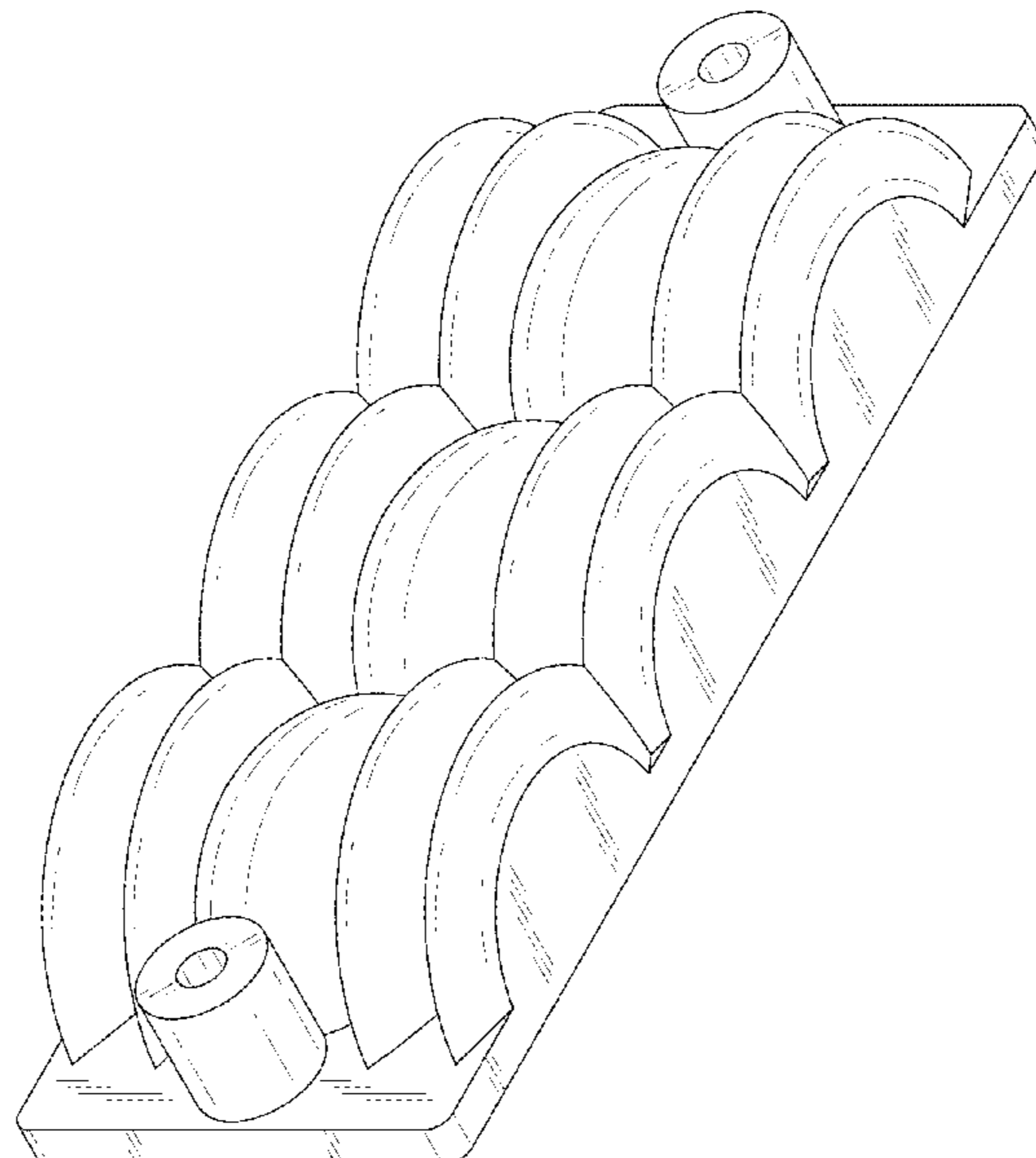
(57) **CLAIM**

The ornamental design for an optical lens, as shown and described.

**DESCRIPTION**

FIG. 1 is a perspective view of a first embodiment of an optical lens showing my new design;  
FIG. 2 is a front view thereof;  
FIG. 3 is a back view thereof;  
FIG. 4 is a top view thereof;  
FIG. 5 is a bottom view thereof;  
FIG. 6 is a right-side view thereof;  
FIG. 7 is a left-side view thereof; and,  
FIG. 8 is a perspective view of a second embodiment of an optical lens thereof.  
The broken lines in the drawings depict portions of the optical lens that form no part of the claimed design.

**1 Claim, 6 Drawing Sheets**



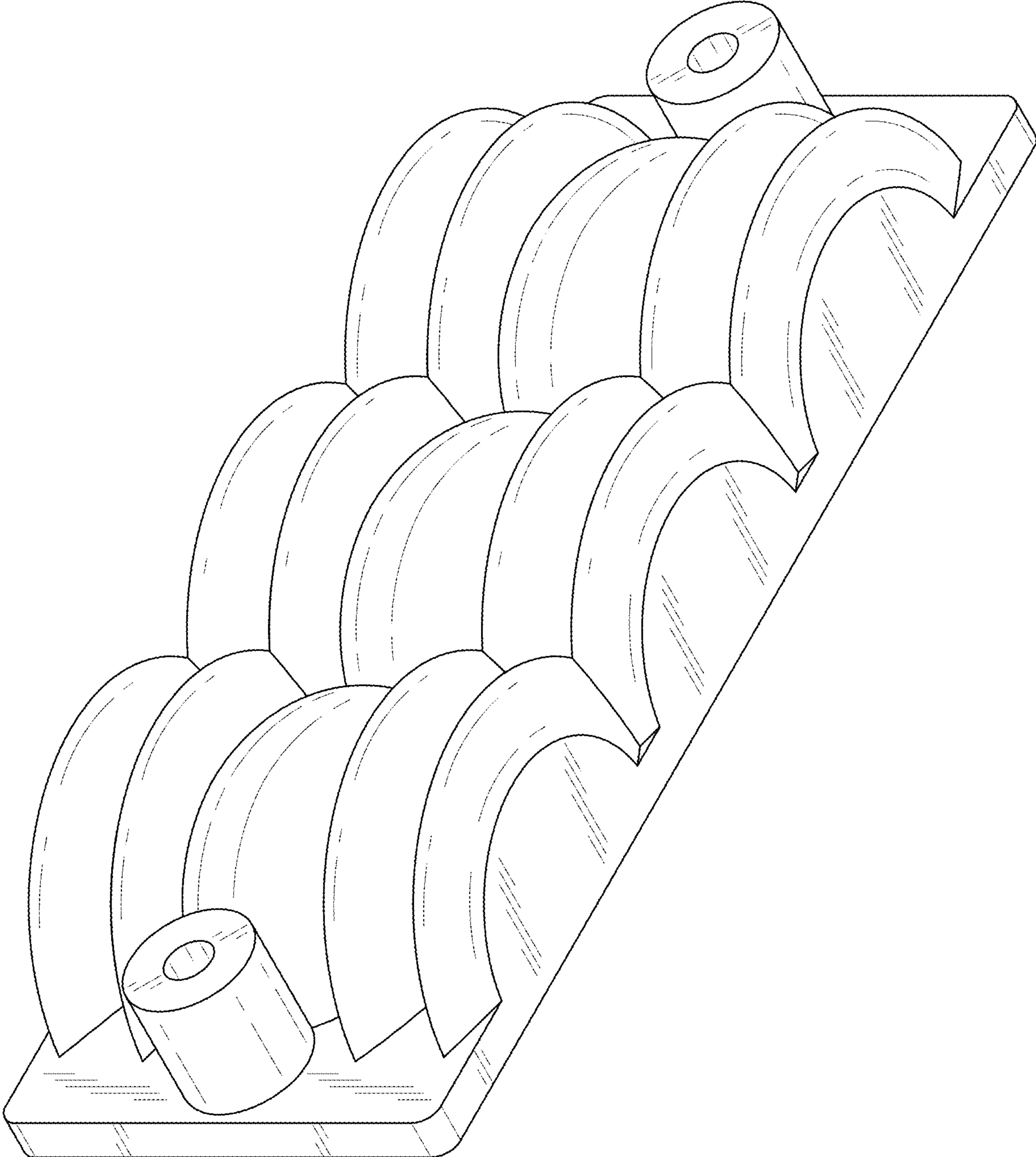


FIG. 1

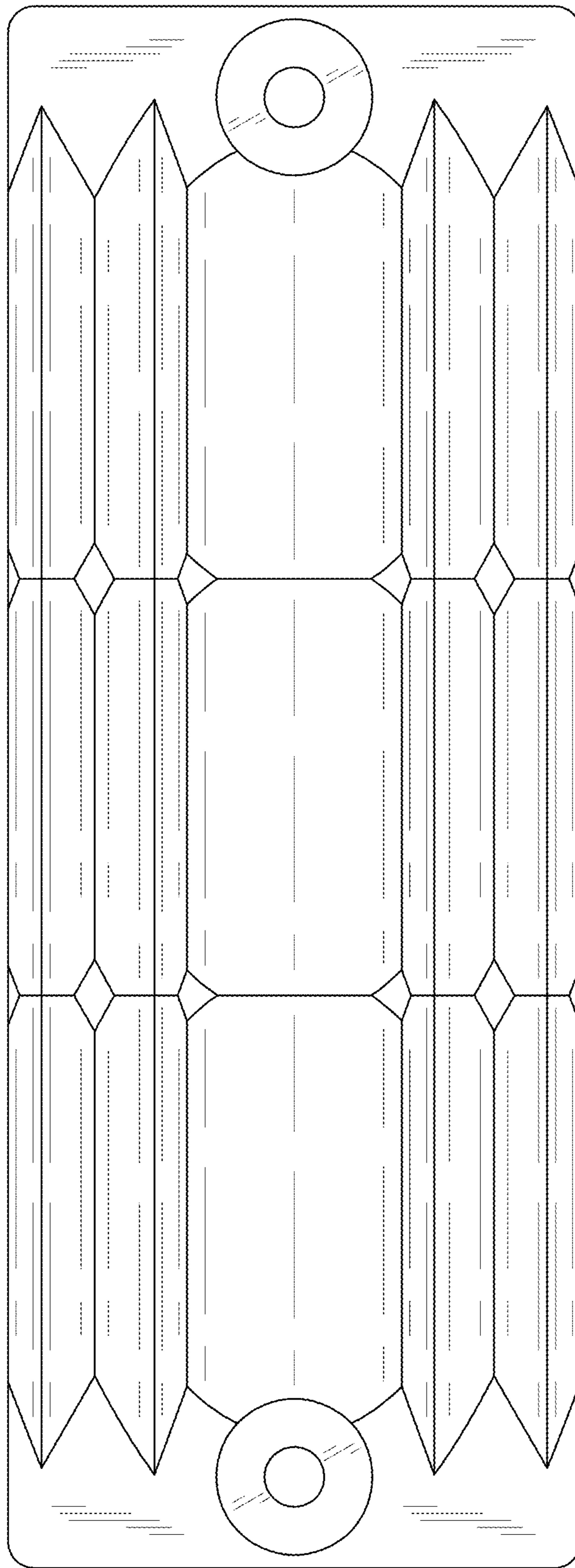


FIG. 2

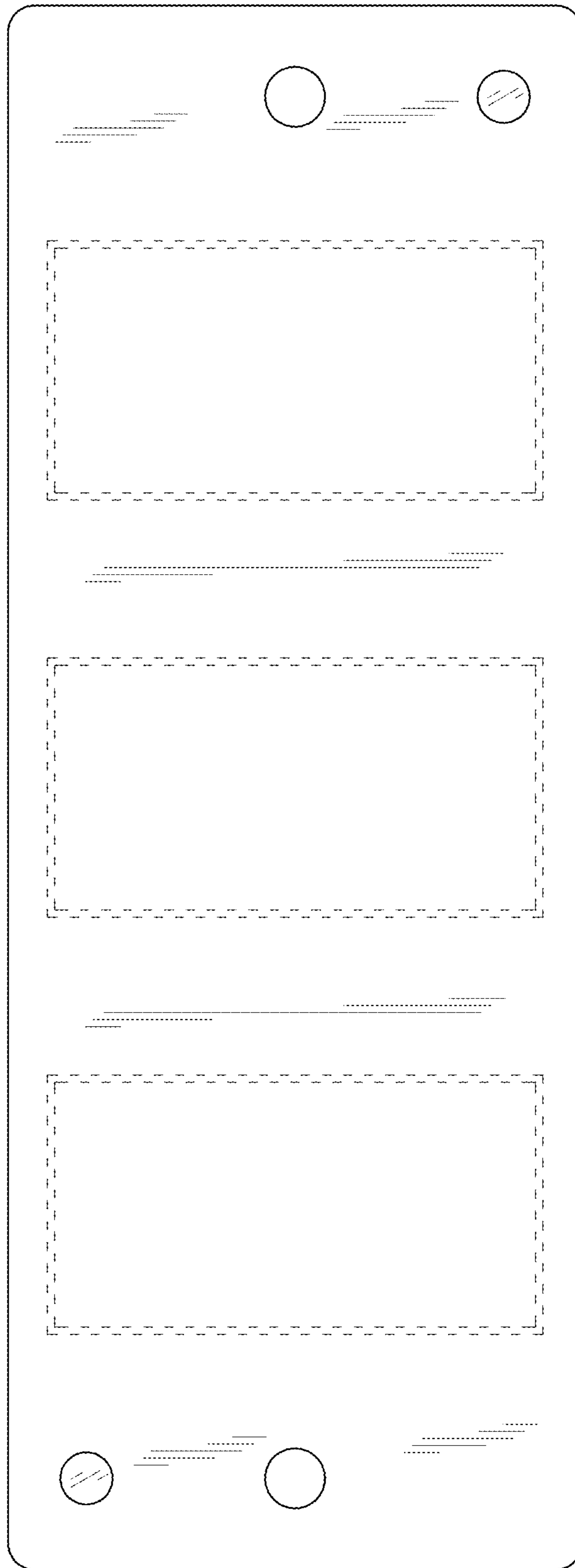


FIG. 3

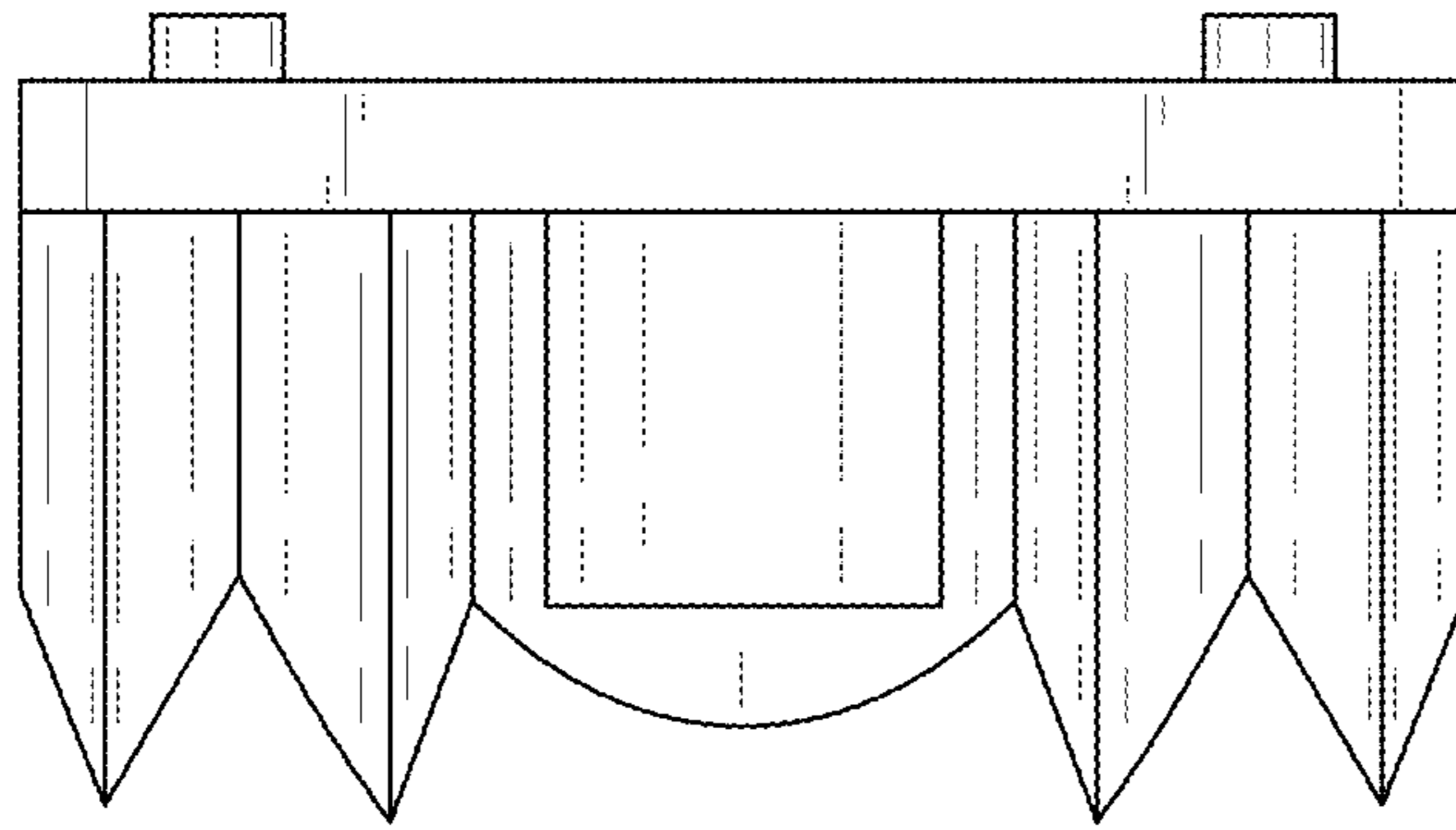


FIG. 4

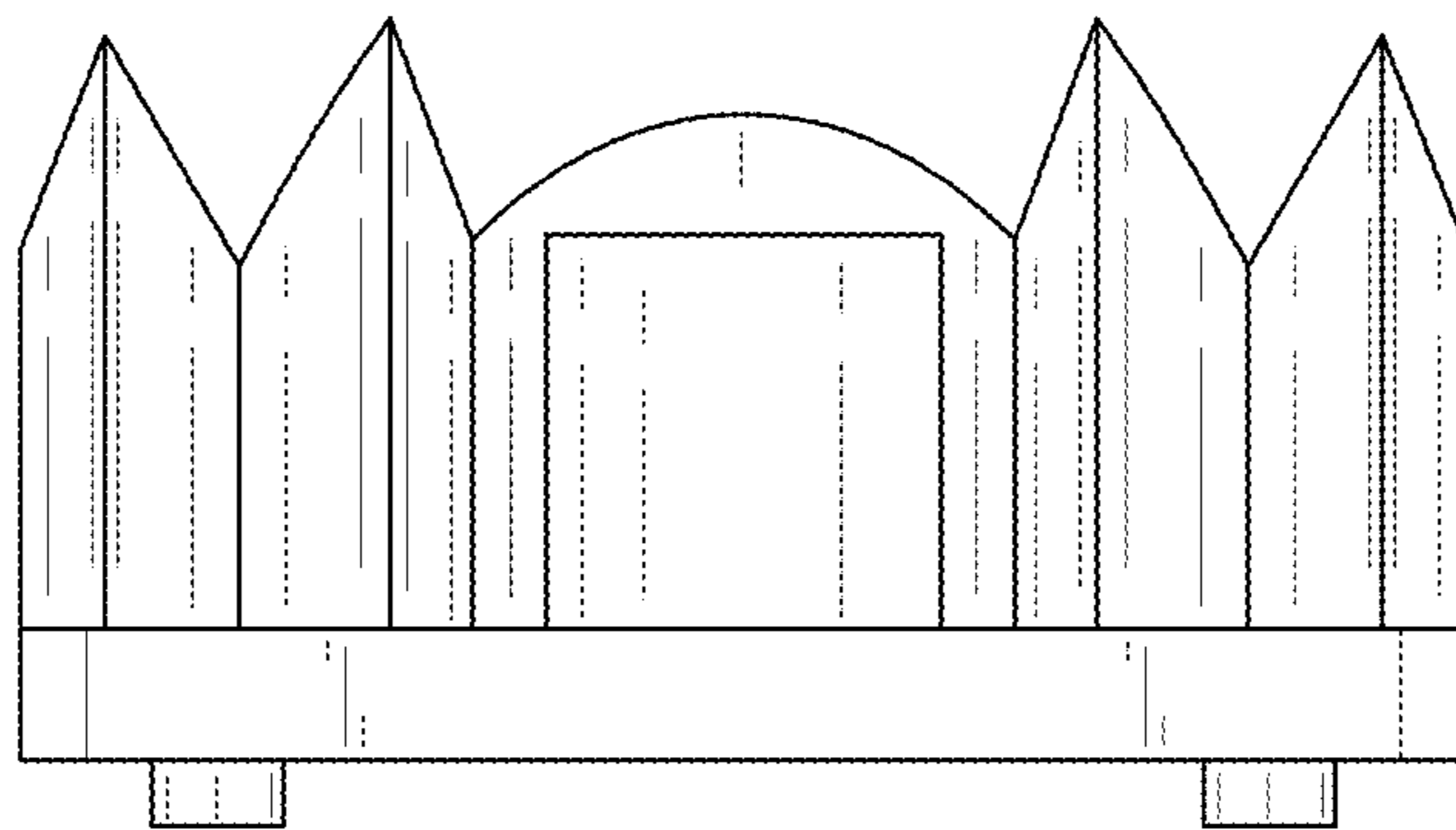


FIG. 5



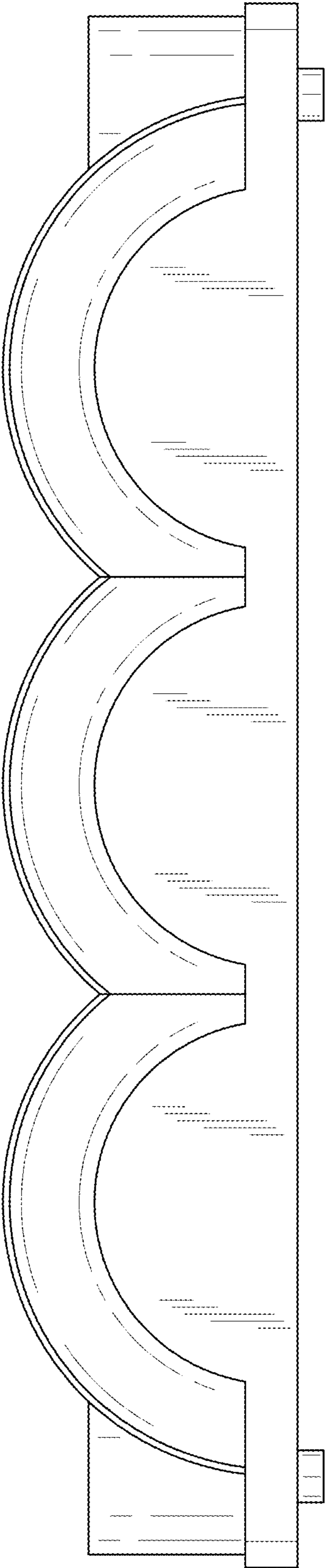


FIG. 6

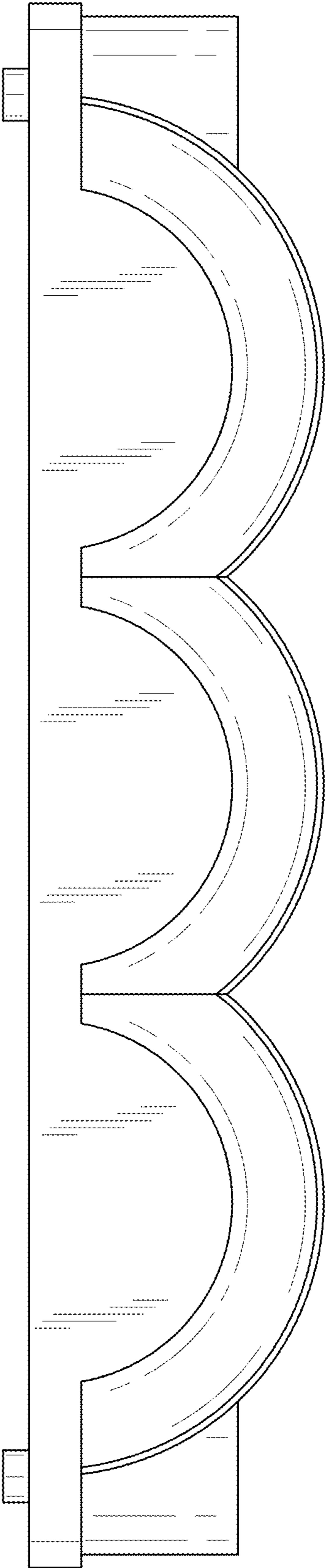


FIG. 7

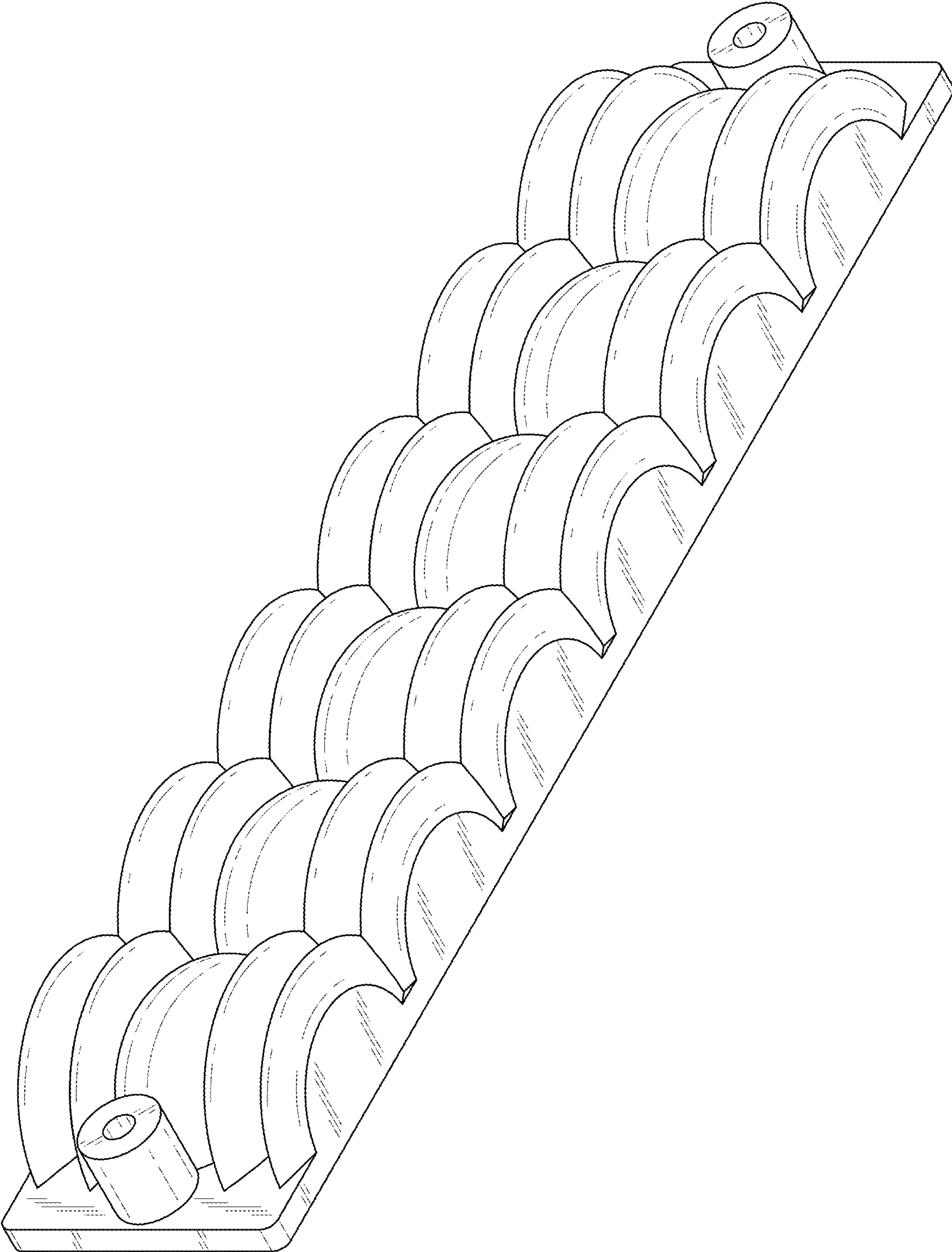


FIG. 8