



US00D976471S

(12) **United States Design Patent** (10) **Patent No.:** **US D976,471 S**
Giopato et al. (45) **Date of Patent:** **** Jan. 24, 2023**

(54) **CHANDELIER**
(71) Applicant: **GIOPATO & COOMBES S.R.L.**,
Treviso (IT)
(72) Inventors: **Cristiana Giopato**, Treviso (IT);
Christopher Coombes, Treviso (IT)
(73) Assignee: **GIOPATO & COOMBES S.R.L.**,
Treviso (IT)

D948,099 S * 4/2022 Coombes D26/81
D950,827 S * 5/2022 Amato D26/81
D956,310 S * 6/2022 Neri D26/90
2012/0241579 A1 * 9/2012 Karlsson F21V 21/16
248/343
2017/0268752 A1 * 9/2017 Horvath F21S 8/061
2020/0318803 A1 * 10/2020 Li F21S 8/063

(**) Term: **15 Years**

(21) Appl. No.: **35/513,808**

(22) Filed: **Feb. 24, 2022**

(80) **Hague Agreement Data**

Int. Filing Date: **Feb. 24, 2022**
Int. Reg. No.: **DM/219295**
Int. Reg. Date: **Feb. 24, 2022**
Int. Reg. Pub. Date: **Mar. 11, 2022**

(51) **LOC (14) Cl.** **26-03**
(52) **U.S. Cl.**

USPC **D26/90**; D26/88

(58) **Field of Classification Search**
USPC D26/80-86, 88-91, 72, 118, 143, 144
CPC F21S 8/043; F21S 8/046; F21S 8/06; F21S
8/061; F21S 8/063; F21S 8/065; F21S
8/068

See application file for complete search history.

(56) **References Cited**

U.S. PATENT DOCUMENTS

D868,342 S * 11/2019 Coombes D26/81
D895,176 S * 9/2020 Broom D26/24
D924,463 S * 7/2021 Giopato D26/90
D930,885 S * 9/2021 Cao D26/86
D942,066 S * 1/2022 Gillespie D26/90

FOREIGN PATENT DOCUMENTS

EP 3168524 A1 * 5/2017

OTHER PUBLICATIONS

LAKIQ Modern Island Lighting Dimmable with Ring and Globes
LED Linear Chandelier, ASIN: B09L15539Y. Available from amazon.
com Nov. 4, 2021. (Year: 2021).*
AMARTIZ Modern Black Gold Chandelier, ASIN: B0B93CR7DR.
Available from amazon.com Aug. 9, 2022. (Year: 2022).*
Nordic Glass Ball Chandelier, ASIN: B091J4YC5B. Available from
amazon.com Jul. 19, 2022. (Year: 2022).*

* cited by examiner

Primary Examiner — Clare E Heflin
(74) *Attorney, Agent, or Firm* — Ferguson Case Orr
Paterson

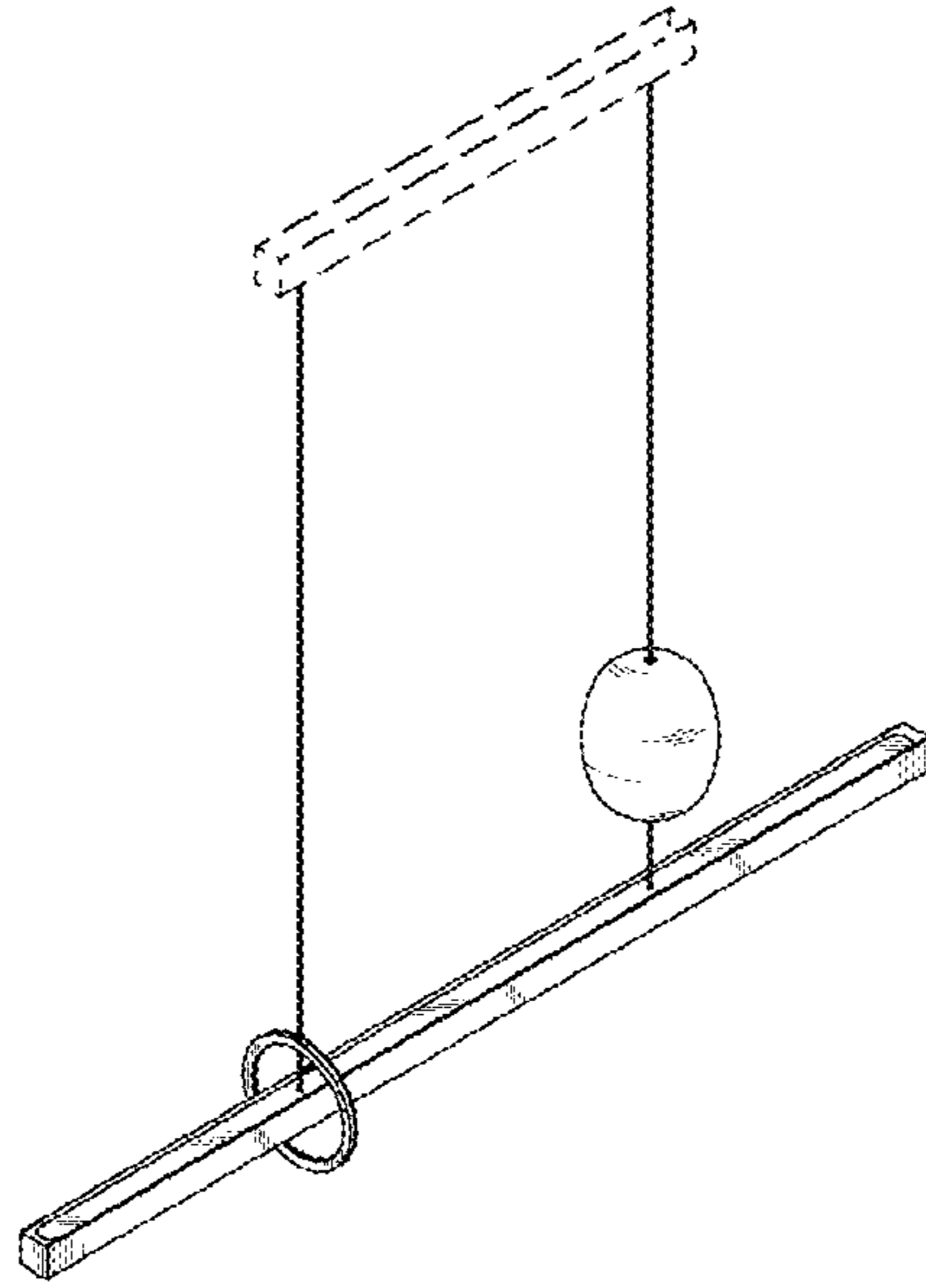
(57) **CLAIM**

The ornamental design for a chandelier, as shown and
described.

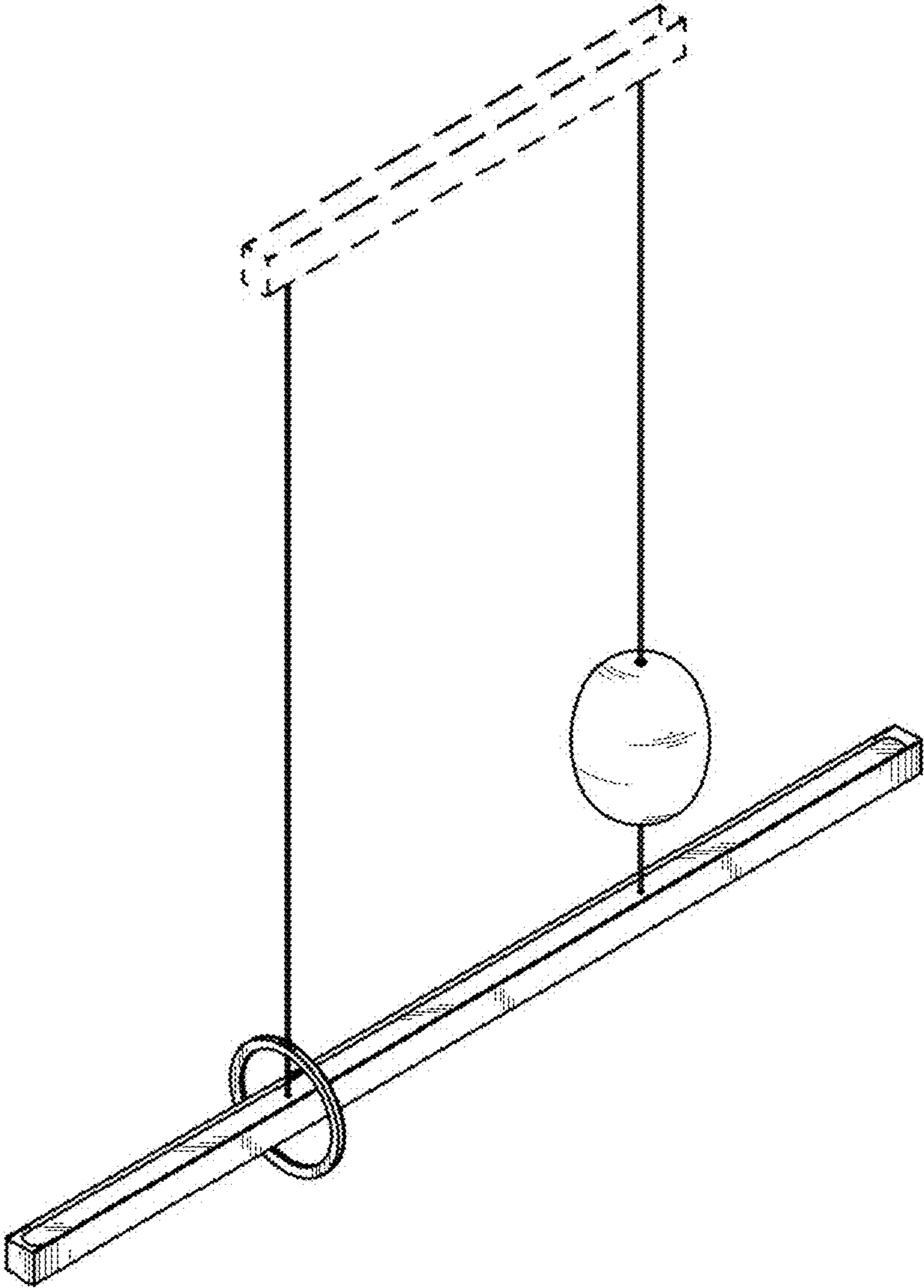
DESCRIPTION

1. Chandelier
FIG. 1.1 is a perspective view of the design; FIG. 1.2 is a
front view thereof; FIG. 1.3 is a rear view thereof; FIG. 1.4
is a left view thereof; FIG. 1.5 is a right view thereof; FIG.
1.6 is a bottom view thereof; FIG. 1.7 is a top view thereof.
The broken lines shown in the drawings illustrate environ-
mental structure and form no part of the claimed design.

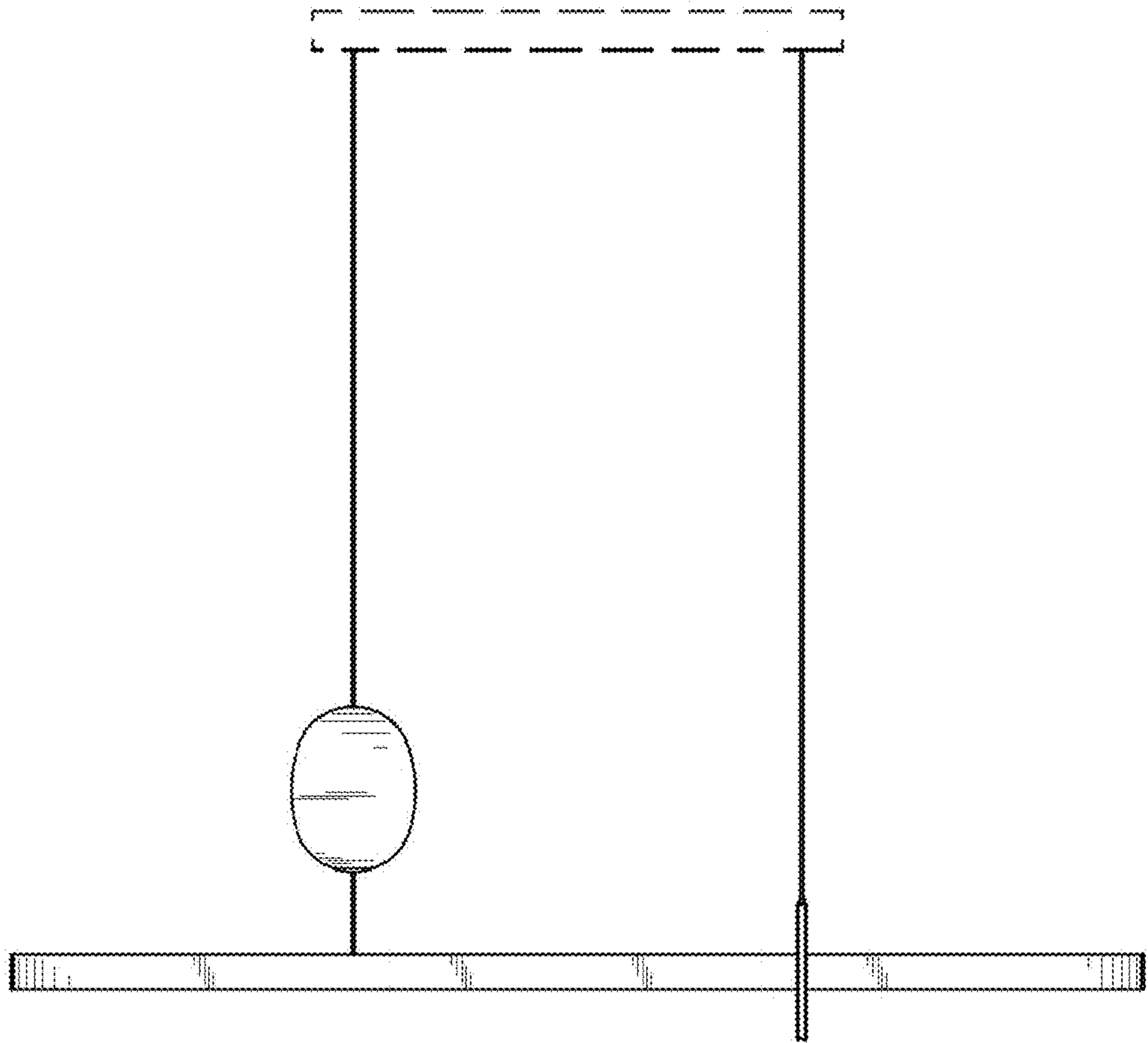
1 Claim, 7 Drawing Sheets



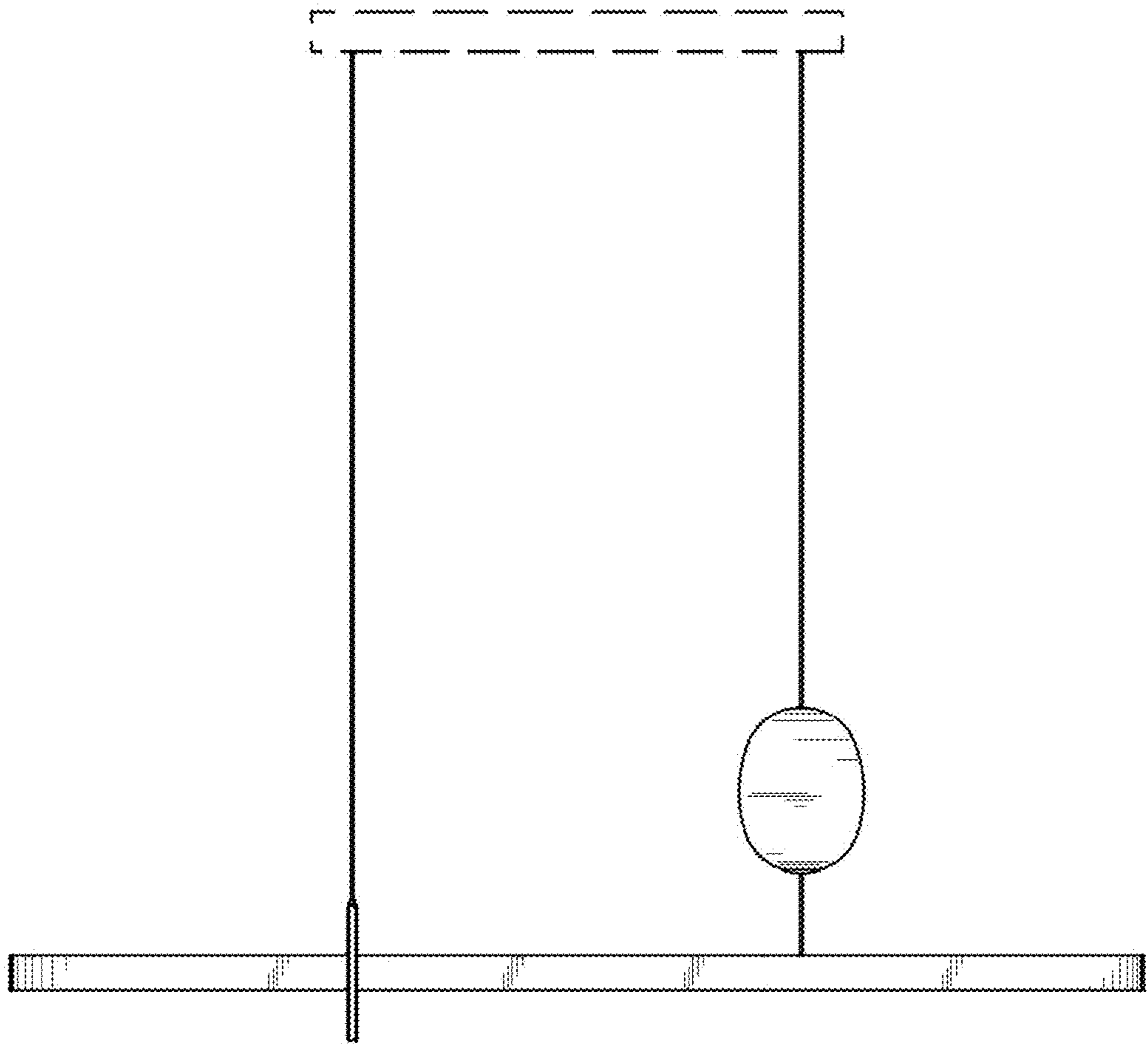
1.1



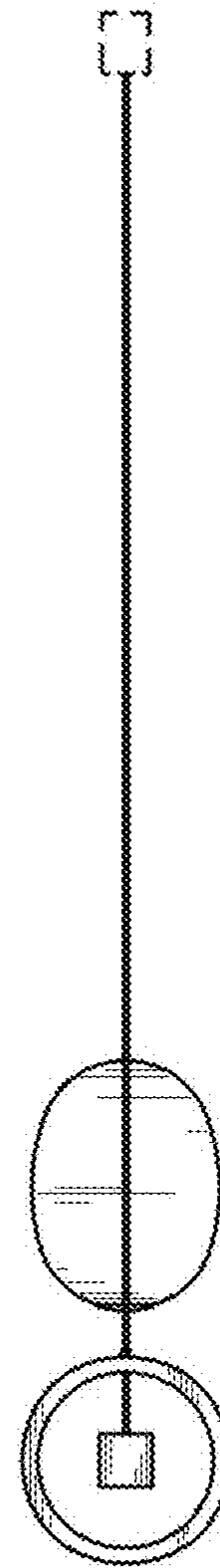
1.2



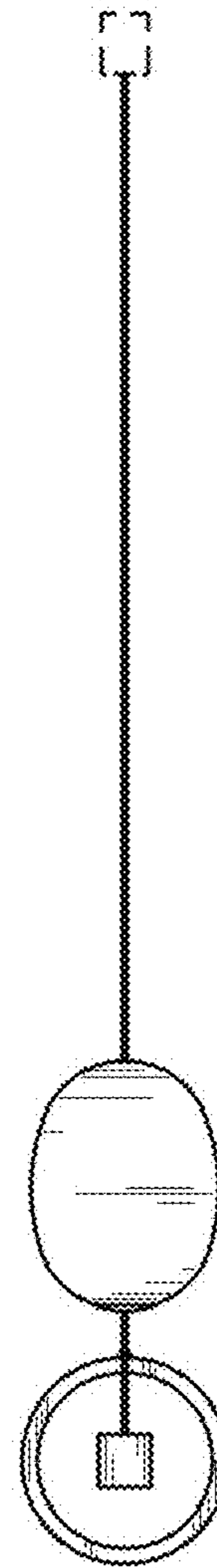
1.3



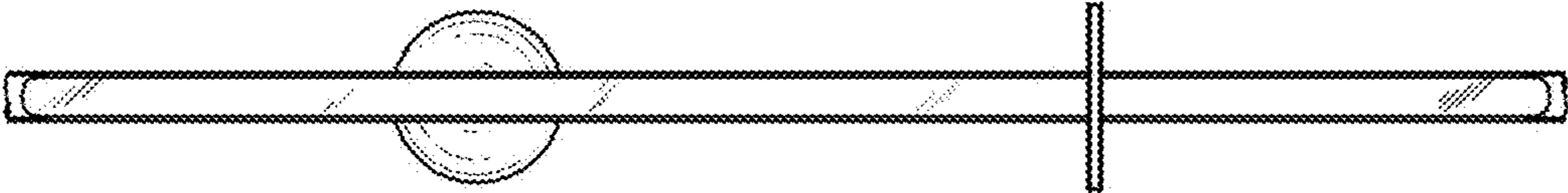
1.4



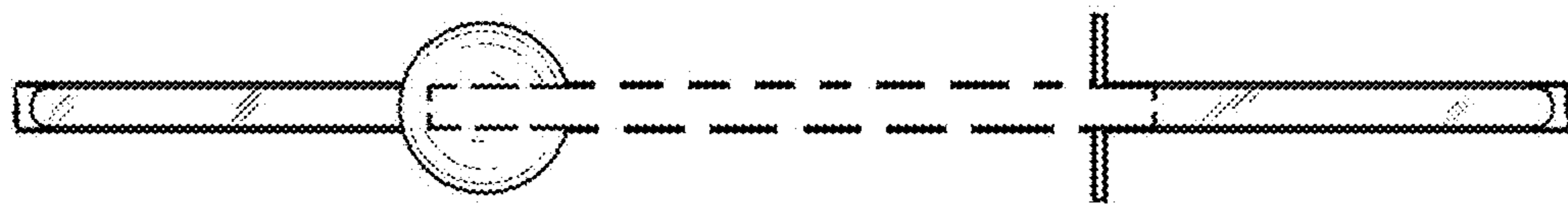
1.5



1.6



1.7



UNITED STATES PATENT AND TRADEMARK OFFICE
CERTIFICATE OF CORRECTION

PATENT NO. : D976,471 S
APPLICATION NO. : 35/513808
DATED : January 24, 2023
INVENTOR(S) : C. Giopato and C. Coombes

Page 1 of 1

It is certified that error appears in the above-identified patent and that said Letters Patent is hereby corrected as shown below:

On the Title Page

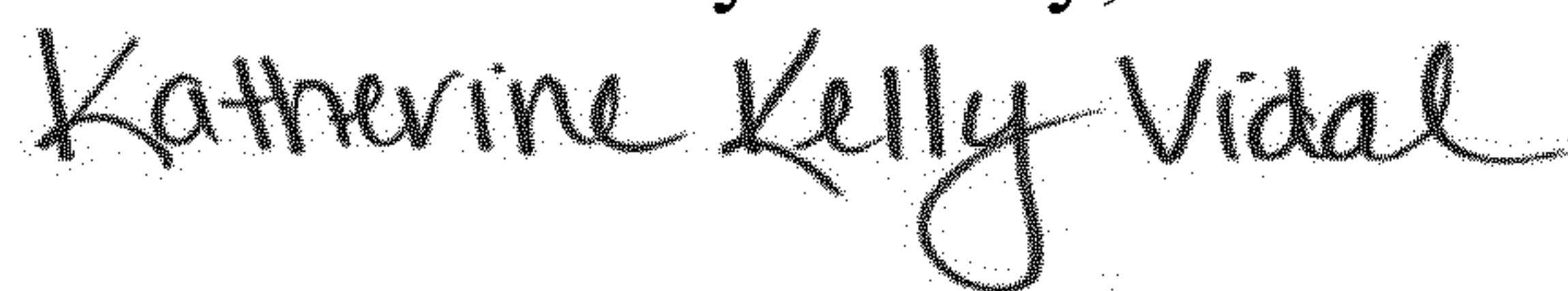
Between item (22) and item (51):

Insert:

--(30) Foreign Application Priority Data

August 30, 2021 (IT).....402021000002267--

Signed and Sealed this
Sixteenth Day of May, 2023



Katherine Kelly Vidal
Director of the United States Patent and Trademark Office