



US00D976469S

(12) **United States Design Patent** (10) **Patent No.:** **US D976,469 S**
Liu (45) **Date of Patent:** **** Jan. 24, 2023**

(54) **SOLAR WALL LIGHT**
(71) Applicant: **Haifeng Liu**, Zhongshan (CN)
(72) Inventor: **Haifeng Liu**, Zhongshan (CN)
(73) Assignee: **Zhongshan Songfan Lighting Technology Co., Ltd.**, Zhongshan (CN)
(**) Term: **15 Years**

D893,075 S * 8/2020 Kong D26/72
D893,080 S * 8/2020 Zhang D26/85
D902,764 S * 11/2020 Kang D10/114.1
D923,854 S * 6/2021 Huang D26/85
D926,348 S * 7/2021 He D26/85
D938,638 S * 12/2021 Chen D26/85
D939,753 S * 12/2021 Chen D16/203
D940,940 S * 1/2022 Wu D26/72
D940,941 S * 1/2022 Wu D26/72
D950,828 S * 5/2022 Kong D26/85
D962,518 S * 8/2022 Zeng D26/85
D963,226 S * 9/2022 Kong D13/102

(21) Appl. No.: **29/743,267**
(22) Filed: **Jul. 20, 2020**
(51) **LOC (14) Cl.** **26-05**
(52) **U.S. Cl.**
USPC **D26/85; D26/72**
(58) **Field of Classification Search**
USPC D26/67, 72, 85-90, 92
CPC F21S 8/03; F21S 8/033; F21S 8/036; F21S
9/03; F21S 9/037; F21W 2131/107;
F21W 2131/109; F21W 2111/027
See application file for complete search history.

OTHER PUBLICATIONS

Claoner, Solar Outdoor Light. First available Aug. 19, 2020. Searched Jun. 6, 2022. [<https://www.amazon.com/Claoner-Outdoor-Wireless-Waterproof-Security/dp/B08DHNMQW/>] (Year: 2020).*

(Continued)

Primary Examiner — Samantha Q Lawrence
Assistant Examiner — Melissa Adriane Santos

(57) **CLAIM**

The ornamental design for a solar wall light, as shown and described.

(56) **References Cited**

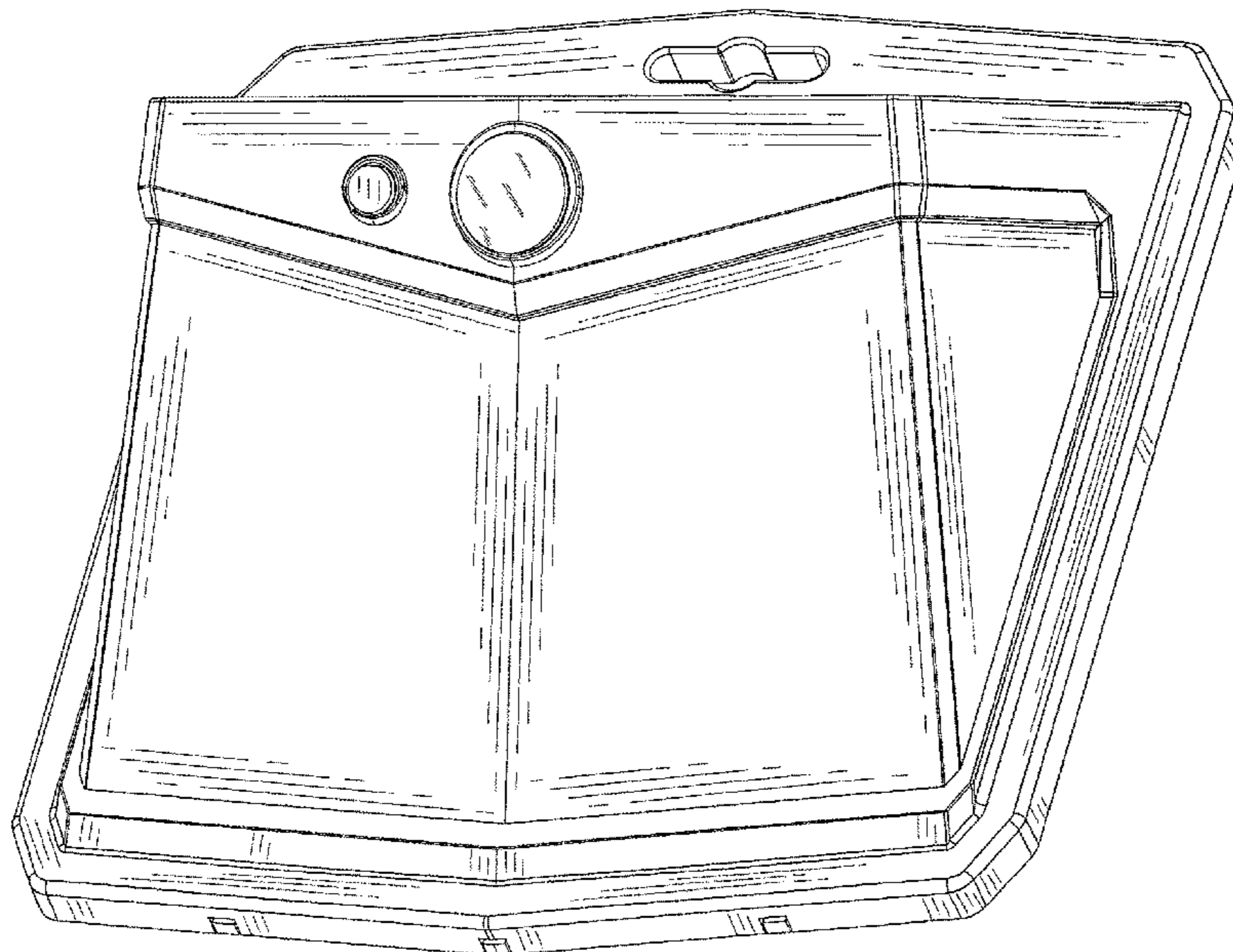
U.S. PATENT DOCUMENTS

D791,994 S * 7/2017 Liu D10/106.8
D805,236 S * 12/2017 Exley D26/85
D816,259 S * 4/2018 Liu D26/85
D829,359 S * 9/2018 Zhang D26/85
D841,218 S * 2/2019 Liu D26/85
D841,865 S * 2/2019 Deng D26/85
D843,631 S * 3/2019 Wen D26/85
D846,177 S * 4/2019 Wen D26/85
D848,049 S * 5/2019 Hu D26/85
D864,459 S * 10/2019 Pan D26/85
D875,991 S * 2/2020 Wan D26/85
D875,992 S * 2/2020 Khubani D26/85
D879,352 S * 3/2020 Liu D26/85
D882,148 S * 4/2020 He D26/85
D890,402 S * 7/2020 Liu D26/85

DESCRIPTION

FIG. 1 is a perspective view of a solar wall light showing my new design;
FIG. 2 is a front elevation view thereof;
FIG. 3 is a rear elevation view thereof;
FIG. 4 is a left side elevation view thereof;
FIG. 5 is a right side elevation view thereof;
FIG. 6 is a top plan view thereof; and,
FIG. 7 is a bottom plan view thereof.
The broken lines depict portions of the solar wall light that form no part of the claimed design.

1 Claim, 7 Drawing Sheets



(56)

References Cited

OTHER PUBLICATIONS

Mereceu , Solar Outdoor Light. First available Dec. 7, 2021. Searched Jun. 6, 2022. [<https://www.amazon.com/dp/B09N6M889T/>] (Year: 2021).*

Enkman, Solar Outdoor Lights. First available Nov. 4, 2019 . Searched Jun. 6, 2022. [<https://www.amazon.com/Enkman-Outdoor-Wireless-Outdoor-Waterproof/dp/B07ZZ13L2H/>] (Year: 2019).*

Seed Alarm, Solar Outdoor Light. First available Feb. 21, 2020 . Searched Jun. 6, 2022. [<https://www.amazon.com/dp/B0851SFFQN/>] (Year: 2020).*

* cited by examiner

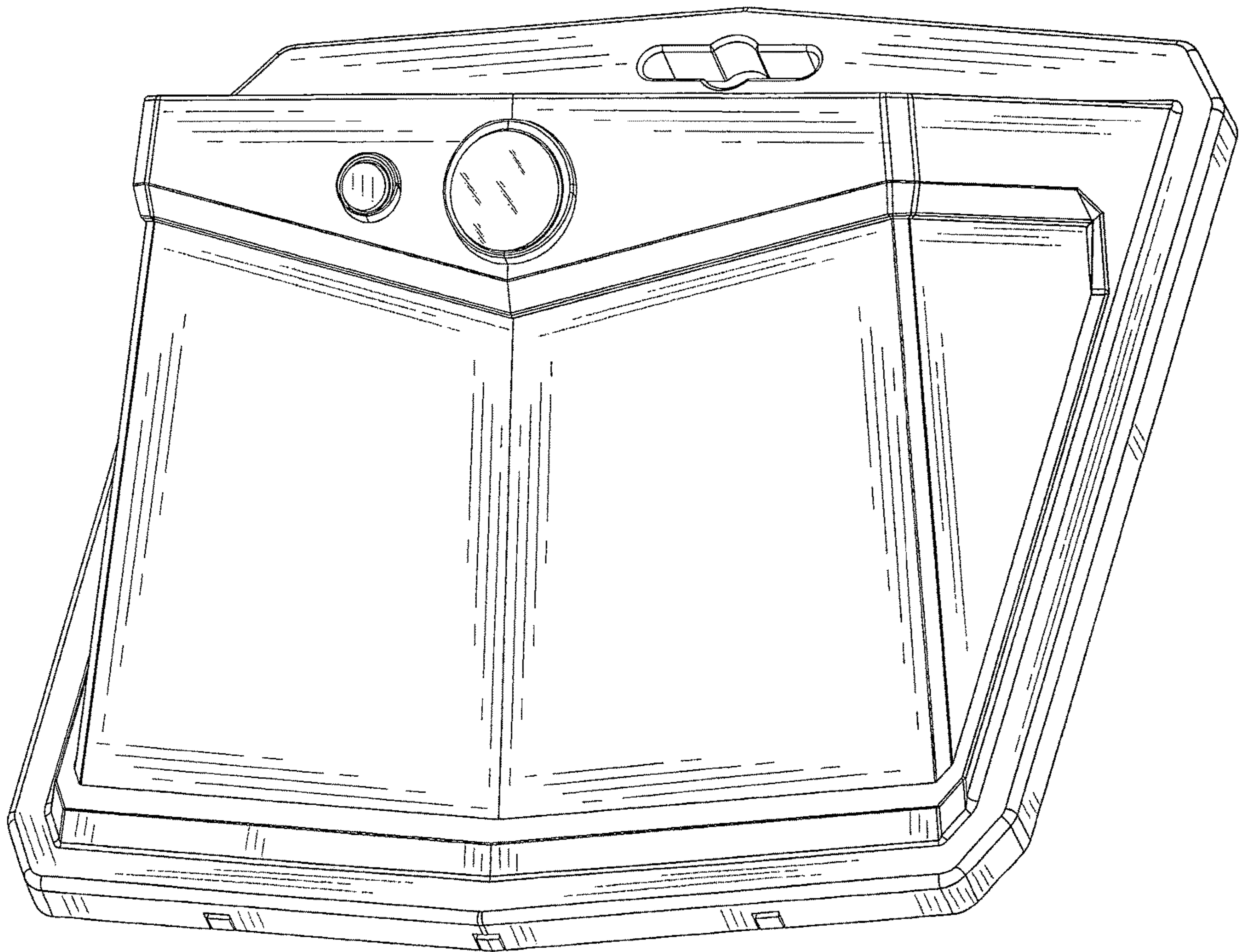


FIG. 1

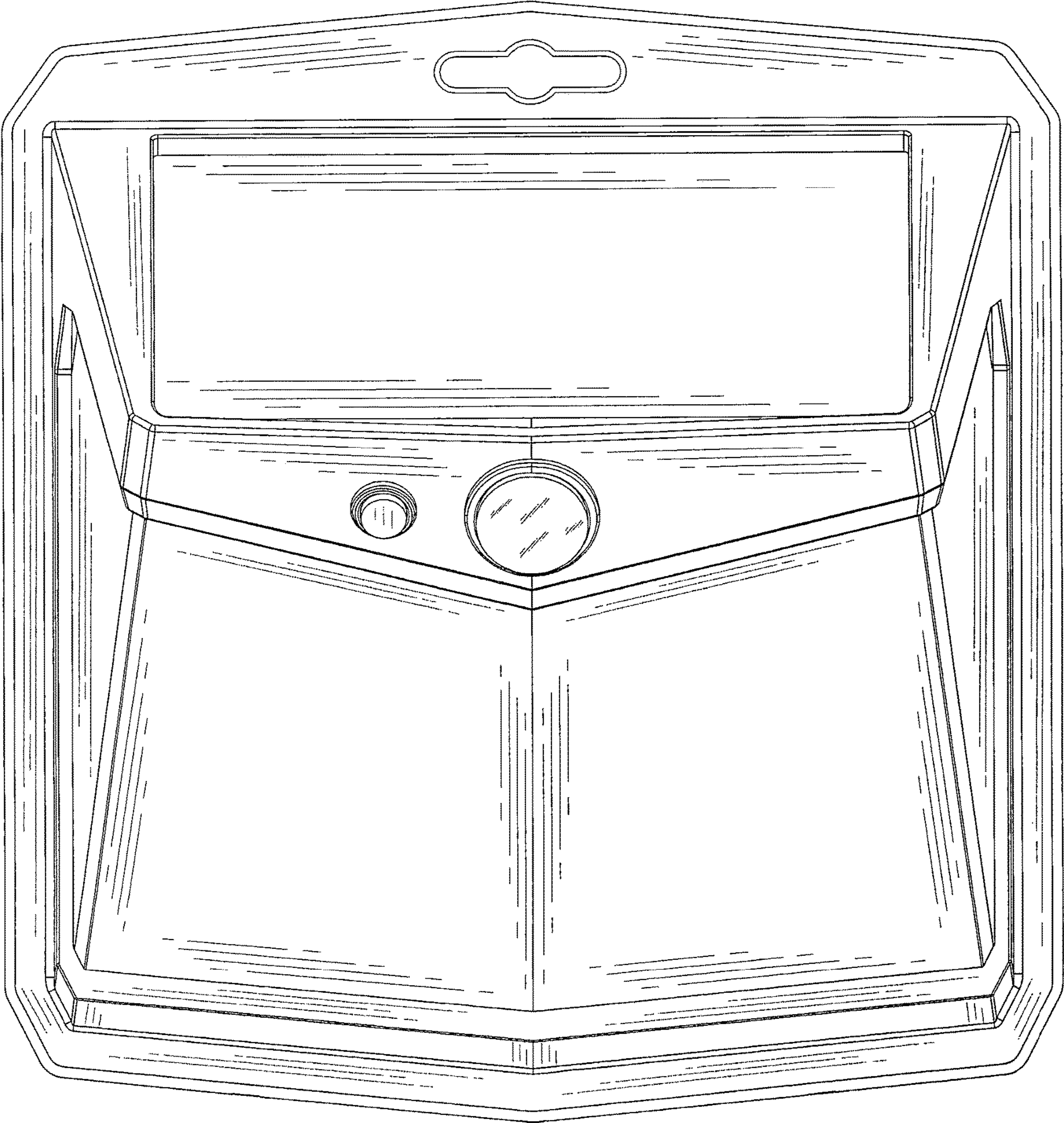


FIG. 2

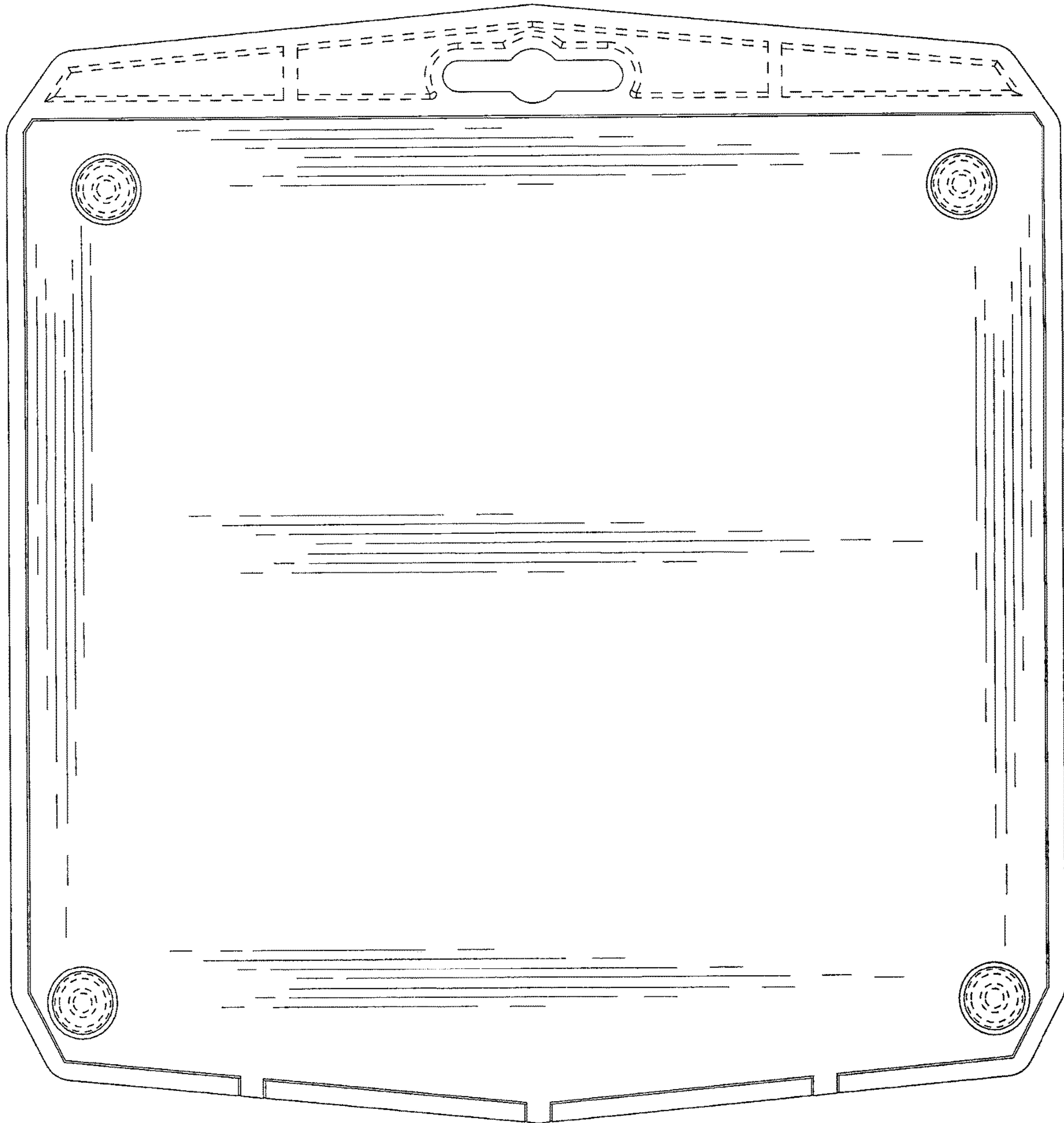


FIG. 3

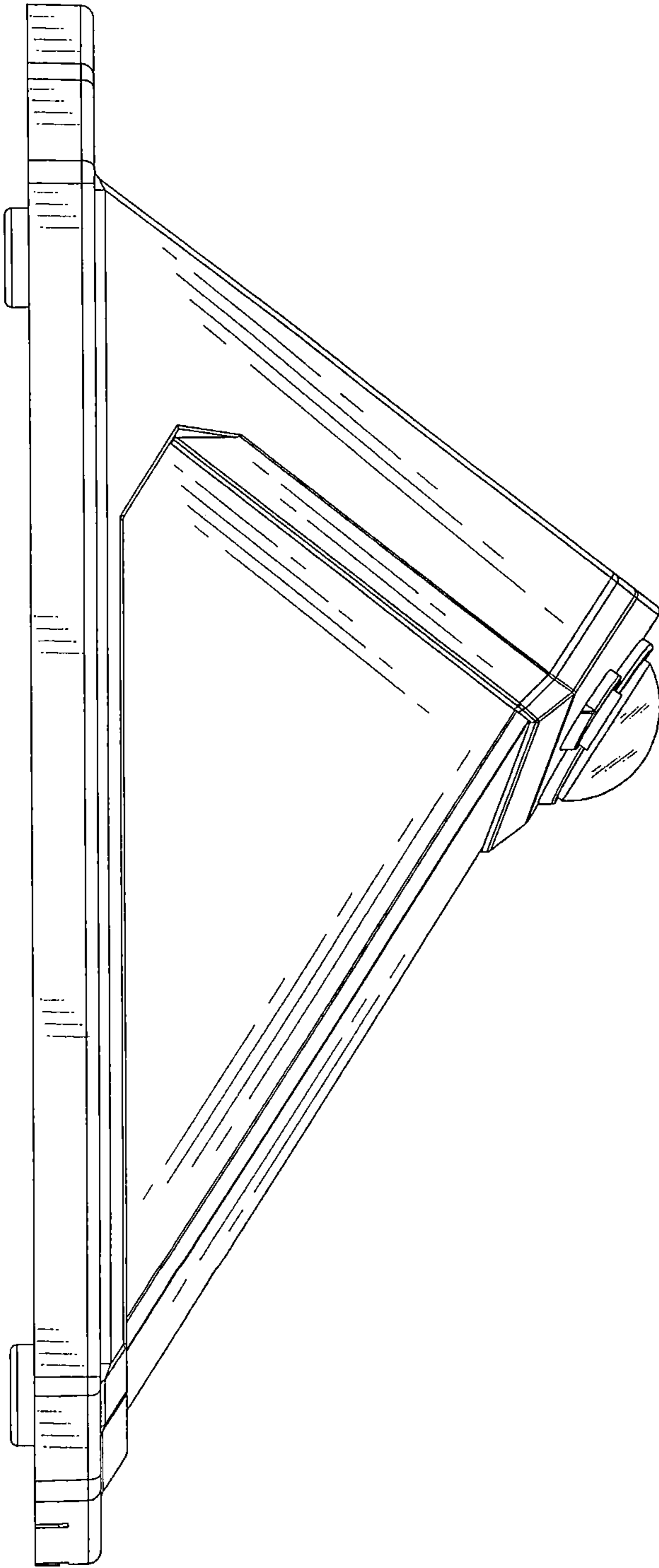


FIG. 4

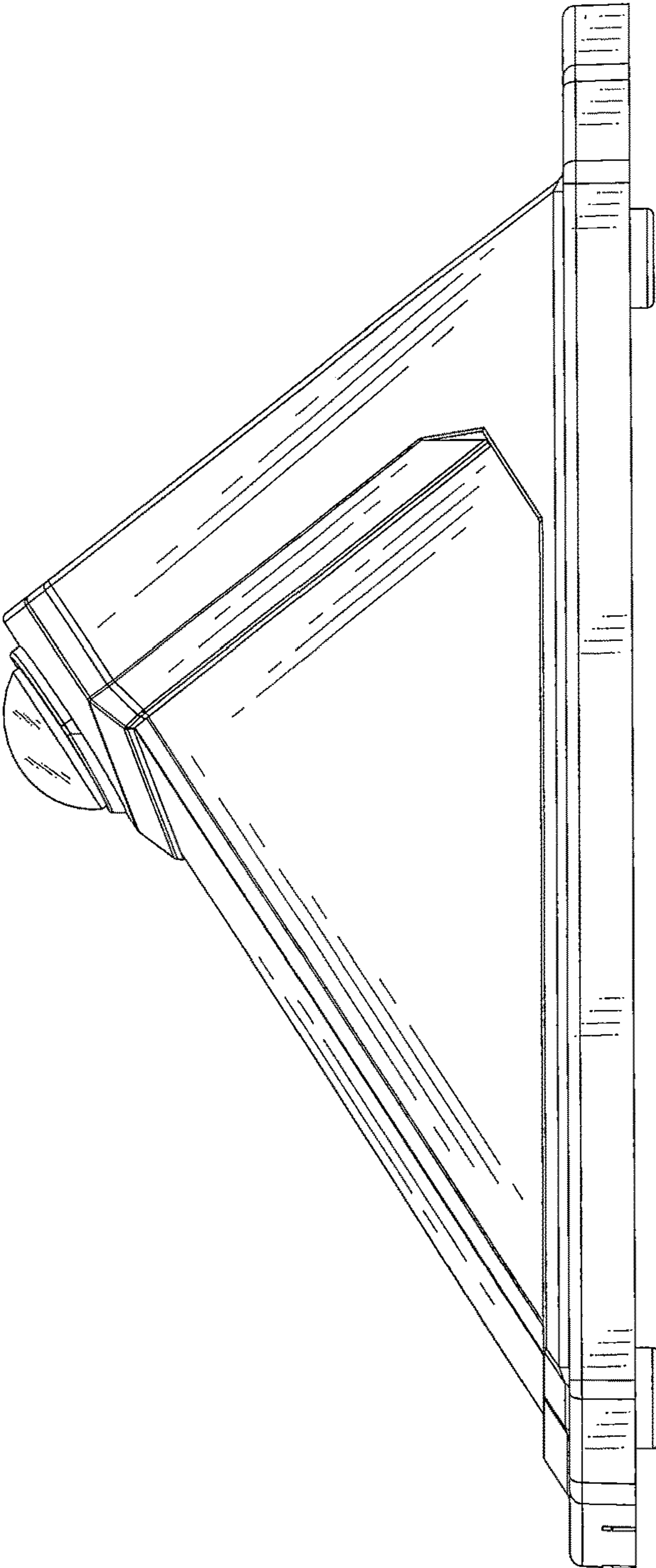


FIG. 5

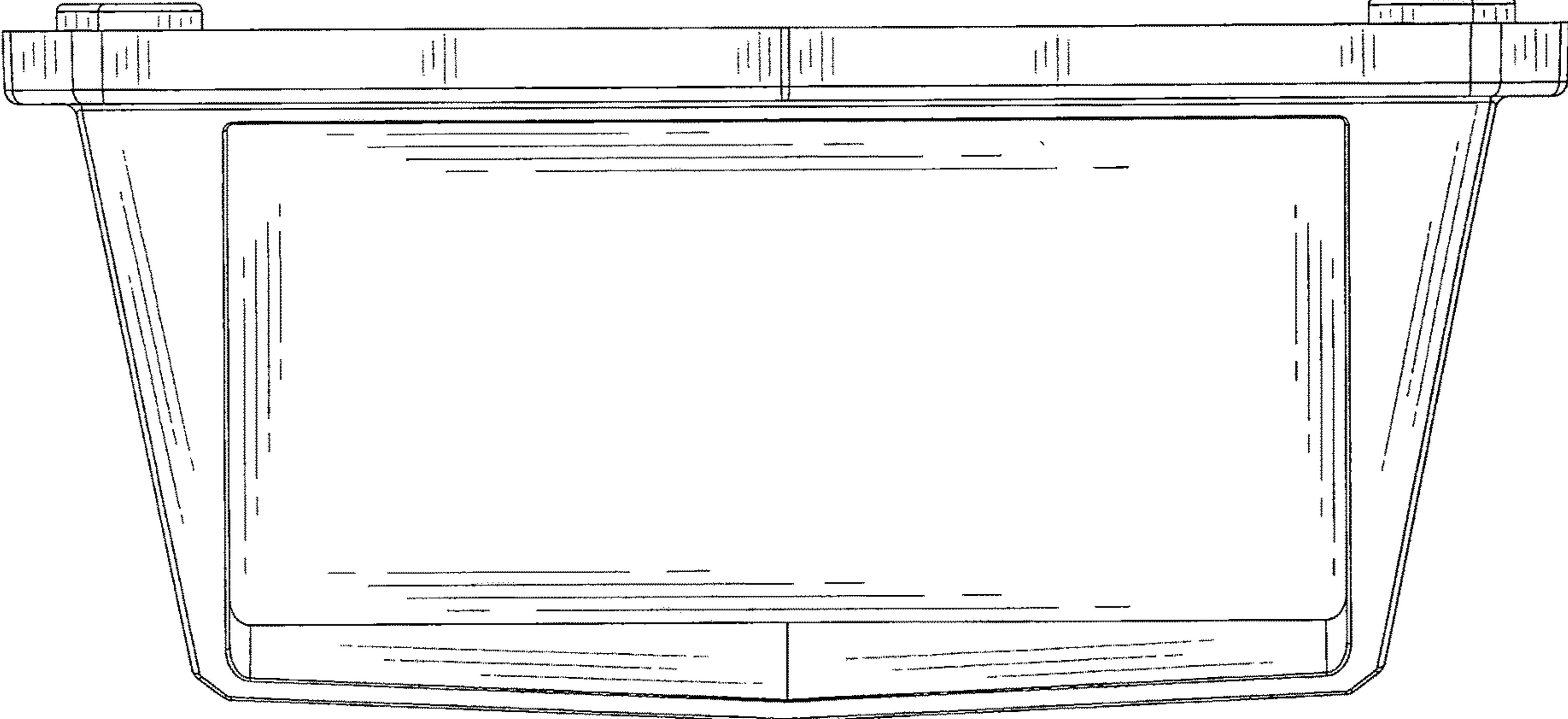


FIG. 6

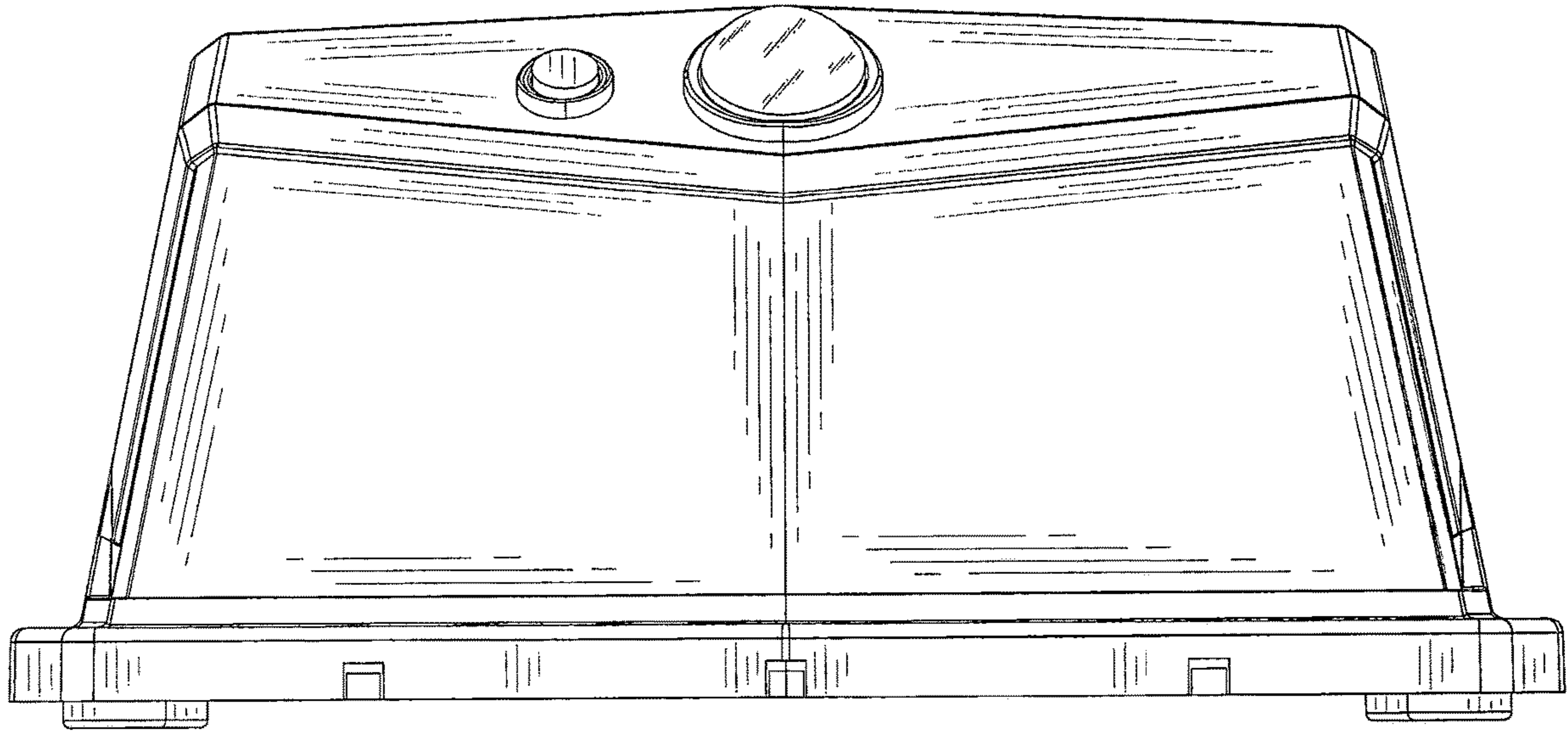


FIG. 7