



US00D976468S

(12) **United States Design Patent**  
**Wang**

(10) **Patent No.:** **US D976,468 S**

(45) **Date of Patent:** **\*\* Jan. 24, 2023**

(54) **GROW LIGHT FOR PLANTS**

(71) Applicant: **Shenzhen San'ai Photoelectric Technology Co., Ltd, Shenzhen (CN)**

(72) Inventor: **Wei Wang, Shenzhen (CN)**

(73) Assignee: **Shenzhen San'ai Photoelectric Technology Co., Ltd, Shenzhen (CN)**

(\*\*) Term: **15 Years**

(21) Appl. No.: **29/858,589**

(22) Filed: **Nov. 2, 2022**

(51) **LOC (14) Cl.** ..... **26-04**

(52) **U.S. Cl.**  
USPC ..... **D26/76**

(58) **Field of Classification Search**  
USPC ..... D26/72, 74, 76, 77, 80, 83-84, 87, 88,  
D26/101, 102, 106, 109  
CPC ..... F21Y 2115/10; F21Y 2105/10; F21Y  
2105/16; F21Y 2113/13; F21Y 2103/10;  
F21Y 2105/12; A01G 7/045; A01G  
9/249; A01G 9/20

See application file for complete search history.

(56) **References Cited**

**U.S. PATENT DOCUMENTS**

D923,850 S \* 6/2021 Liu ..... D26/76  
D945,043 S \* 3/2022 Chen ..... D26/76

D955,027 S \* 6/2022 Lauck ..... D26/76  
D960,424 S 8/2022 Zheng et al.  
11,435,068 B1 \* 9/2022 Ding ..... F21S 4/28  
2019/0056073 A1 \* 2/2019 Ulloa ..... F21K 9/278

\* cited by examiner

*Primary Examiner* — Michael A. Pratt

(57) **CLAIM**

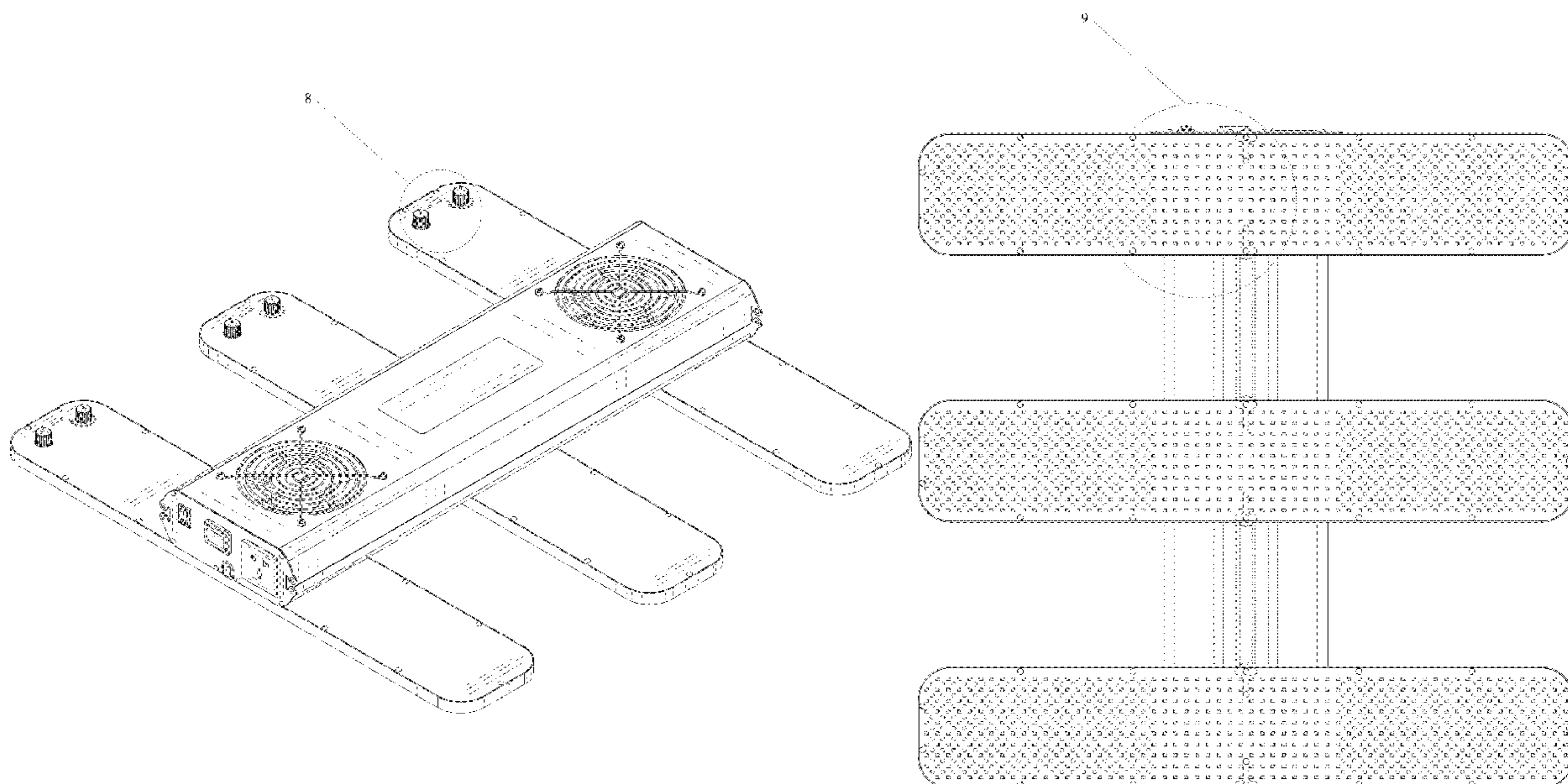
The ornamental design for a grow light for plants, as shown and described.

**DESCRIPTION**

FIG. 1 is a perspective view of a grow light for plants, showing my new design;  
FIG. 2 is a front view thereof;  
FIG. 3 is a back view thereof;  
FIG. 4 is an enlarged left view thereof;  
FIG. 5 is an enlarged right view thereof;  
FIG. 6 is a top view thereof;  
FIG. 7 is a bottom view thereof;  
FIG. 8 is an enlarged view of the encircled area 8 of FIG. 1;  
FIG. 9 is an enlarged view of the encircled area 9 of FIG. 3;  
and,  
FIG. 10 is an enlarged view of the encircled area 10 of FIG. 4.

The broken lines shown in the figures depict portions of the grow light for plants that do not form part of the claimed design. In FIGS. 1, 3 and 4, the broken lines depict the enlarged view boundaries that do not form part of the claimed design.

**1 Claim, 8 Drawing Sheets**



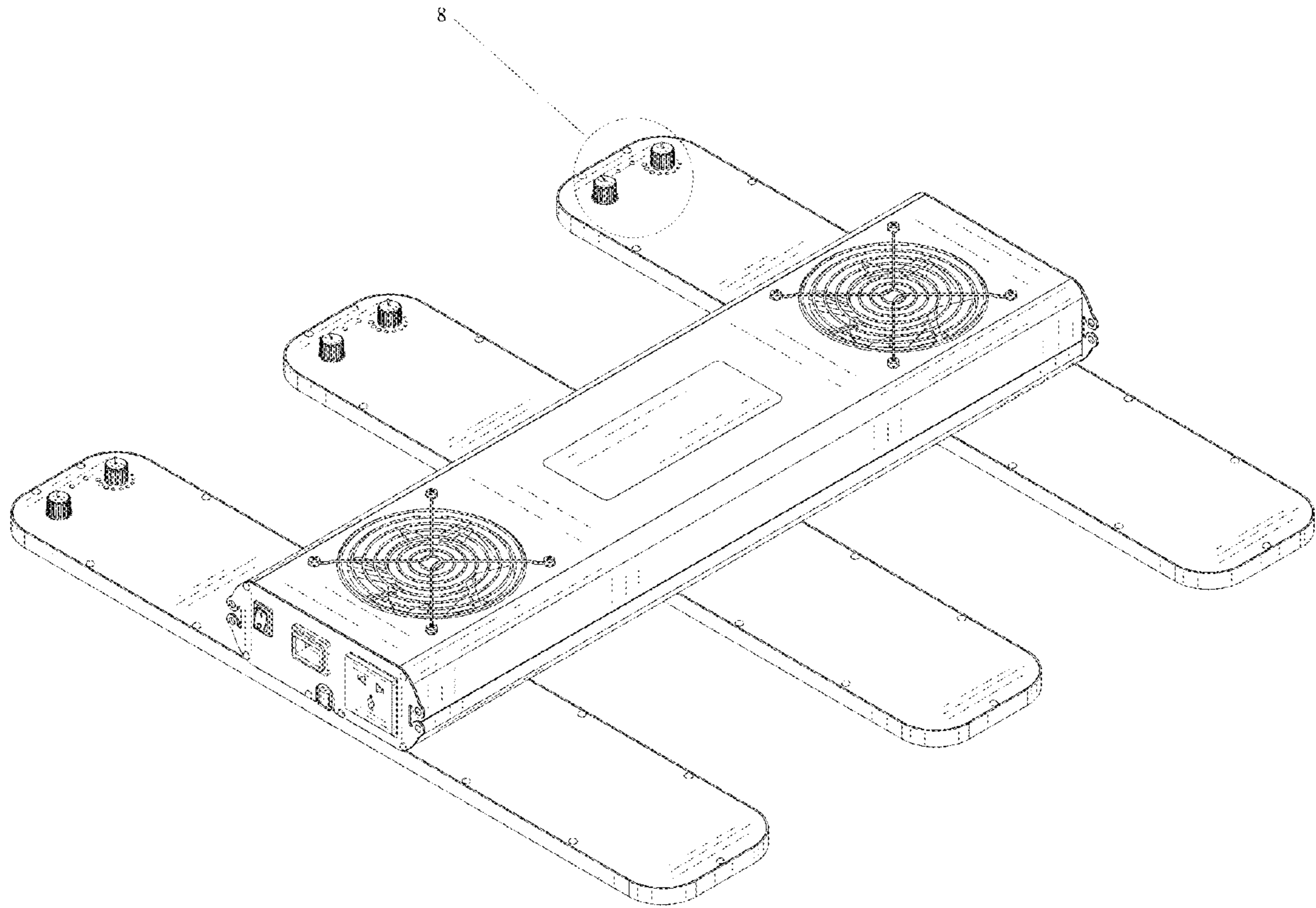


FIG.1

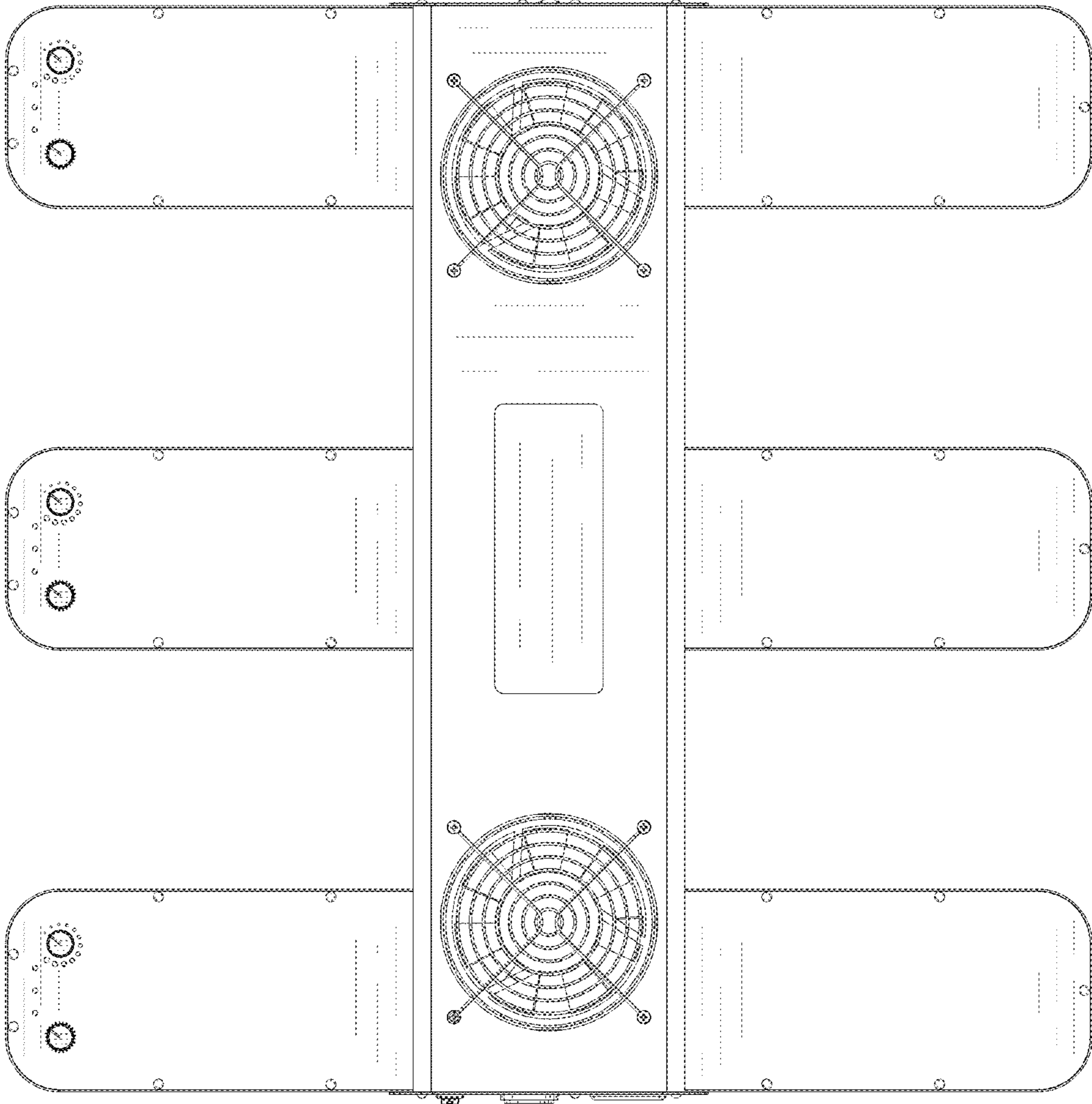


FIG. 2

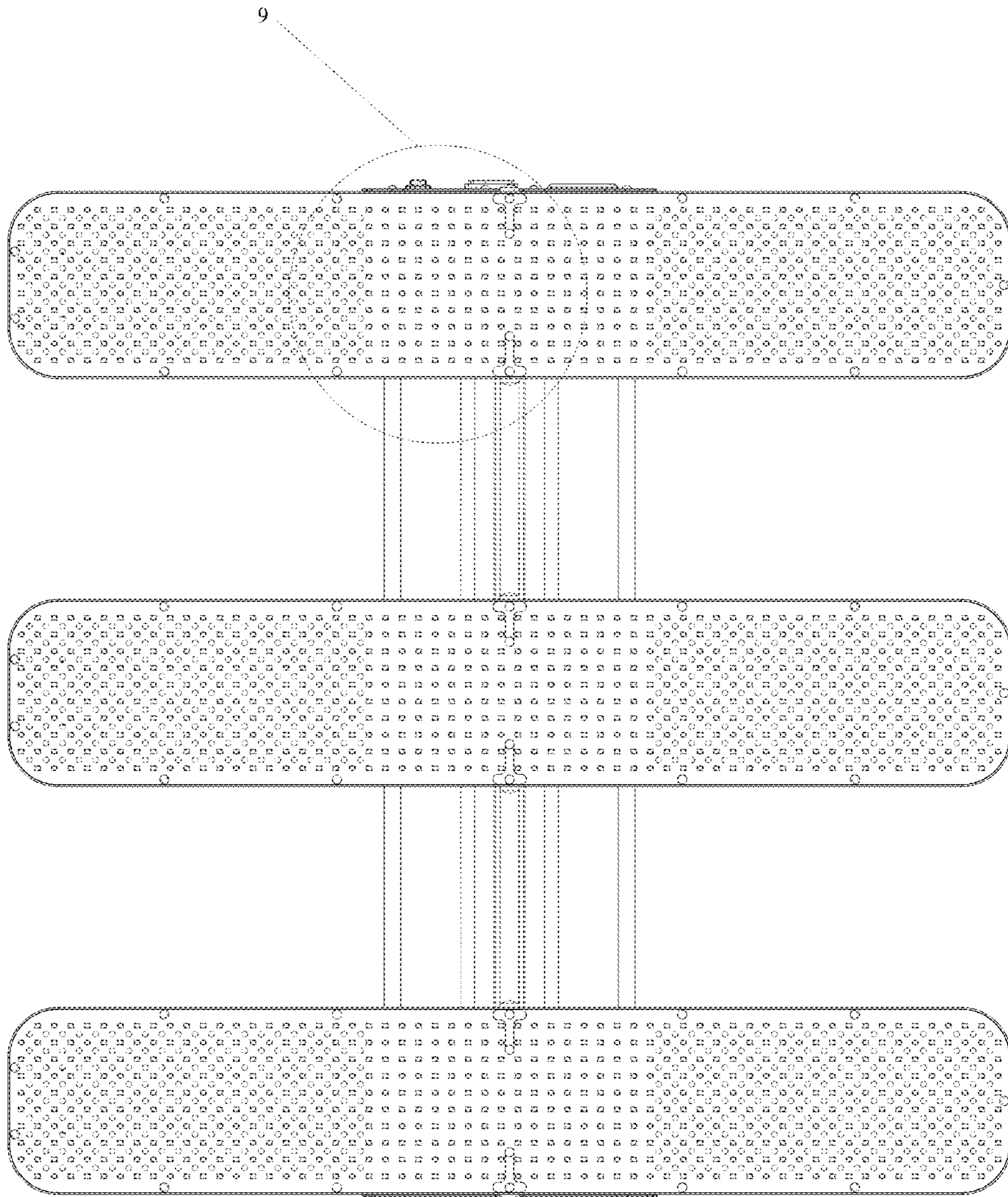


FIG. 3

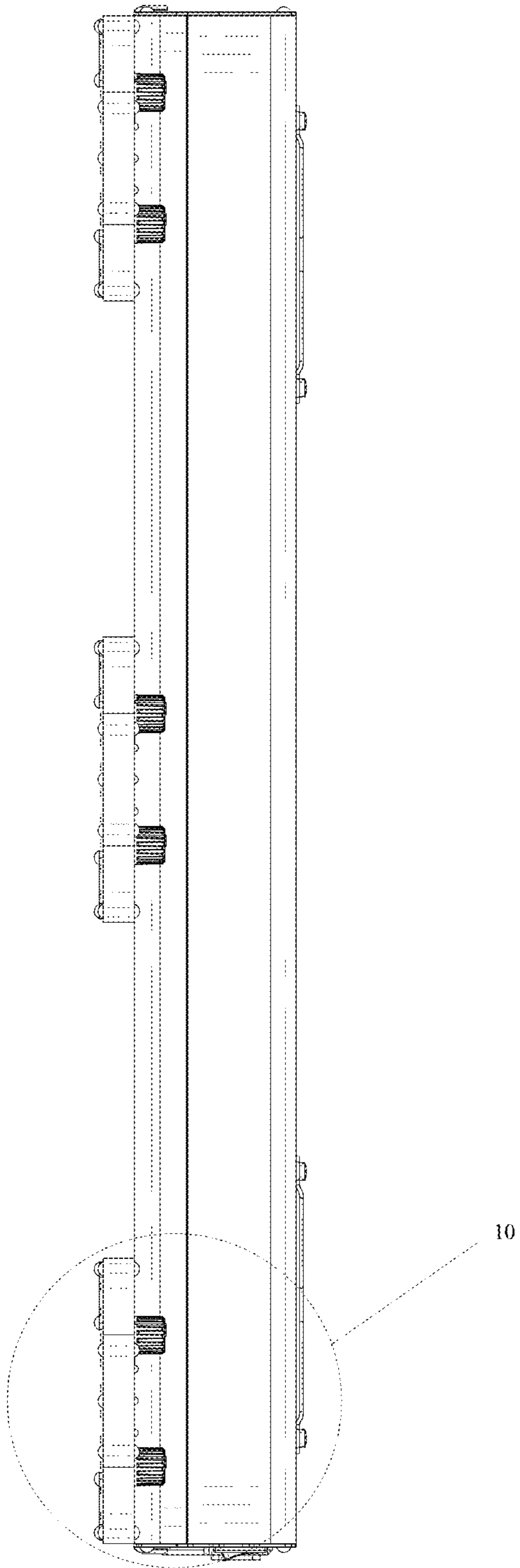


FIG. 4

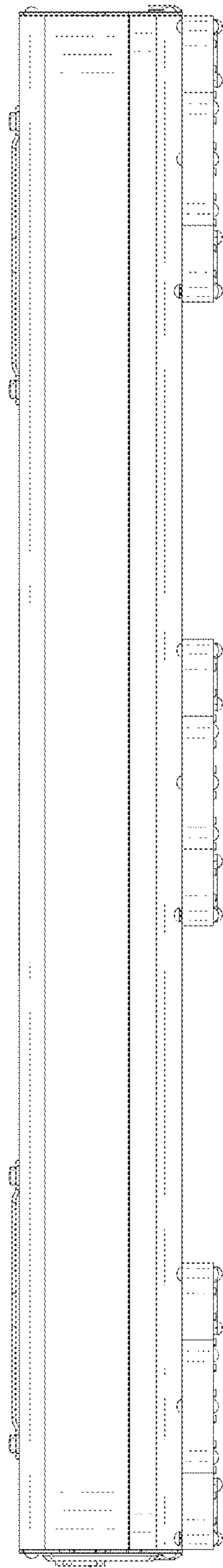


FIG. 5

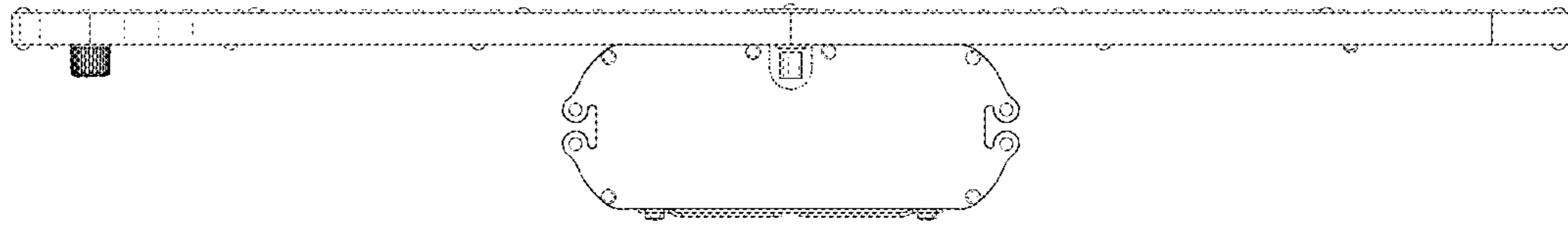


FIG. 6

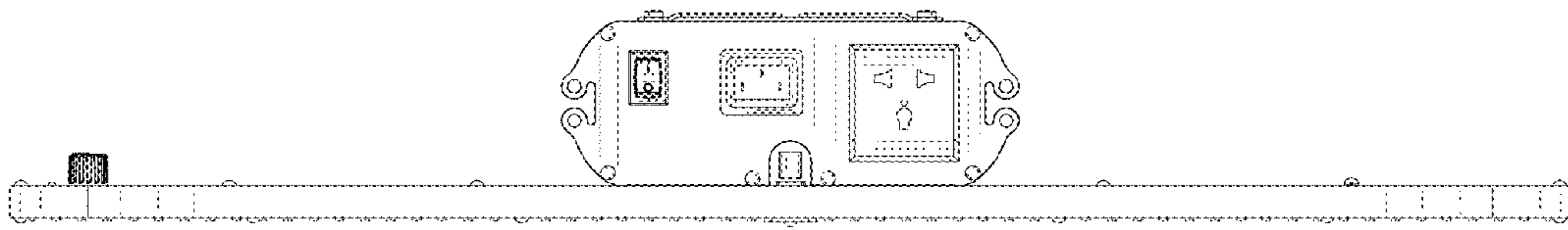


FIG. 7

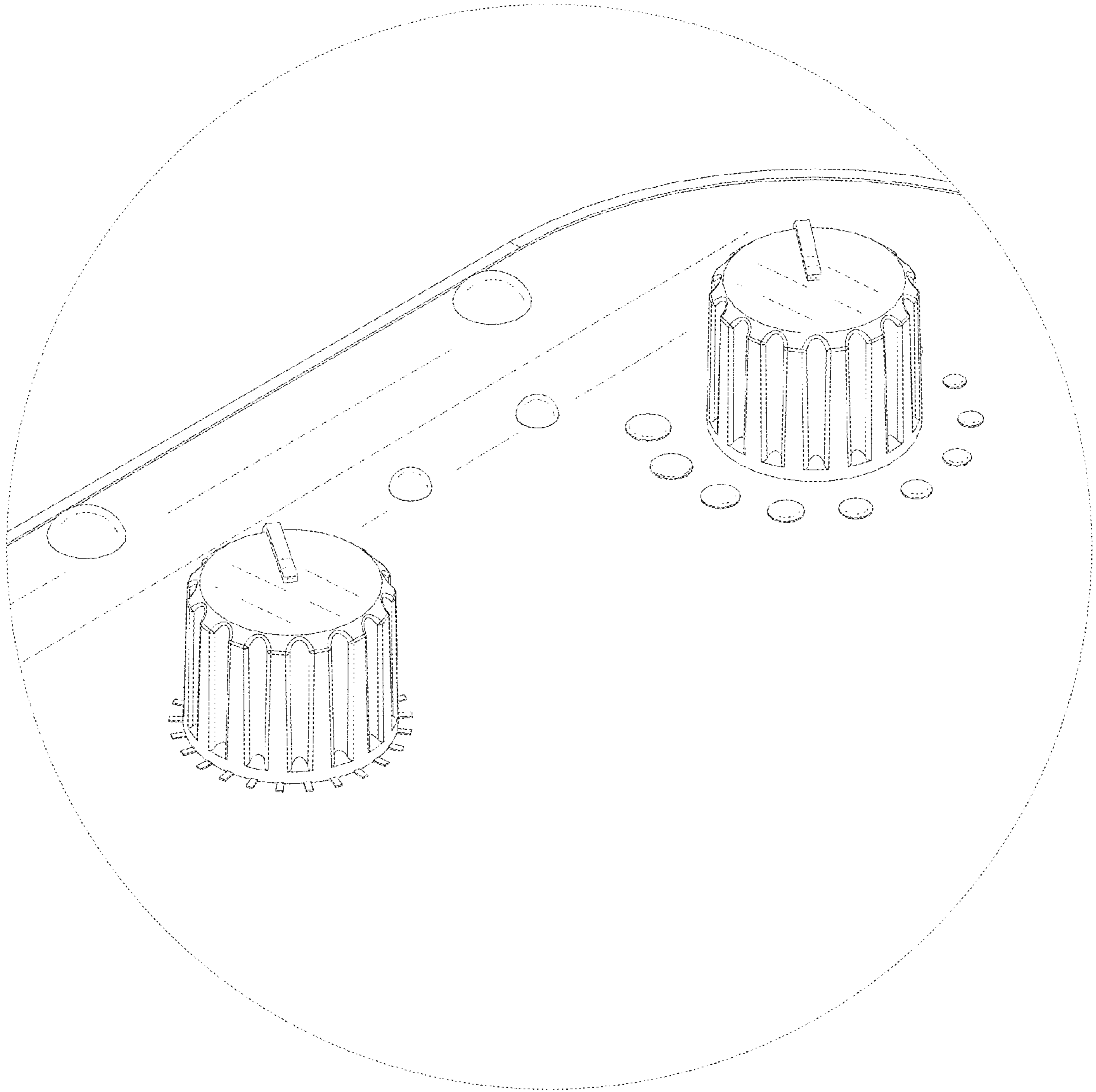


FIG. 8

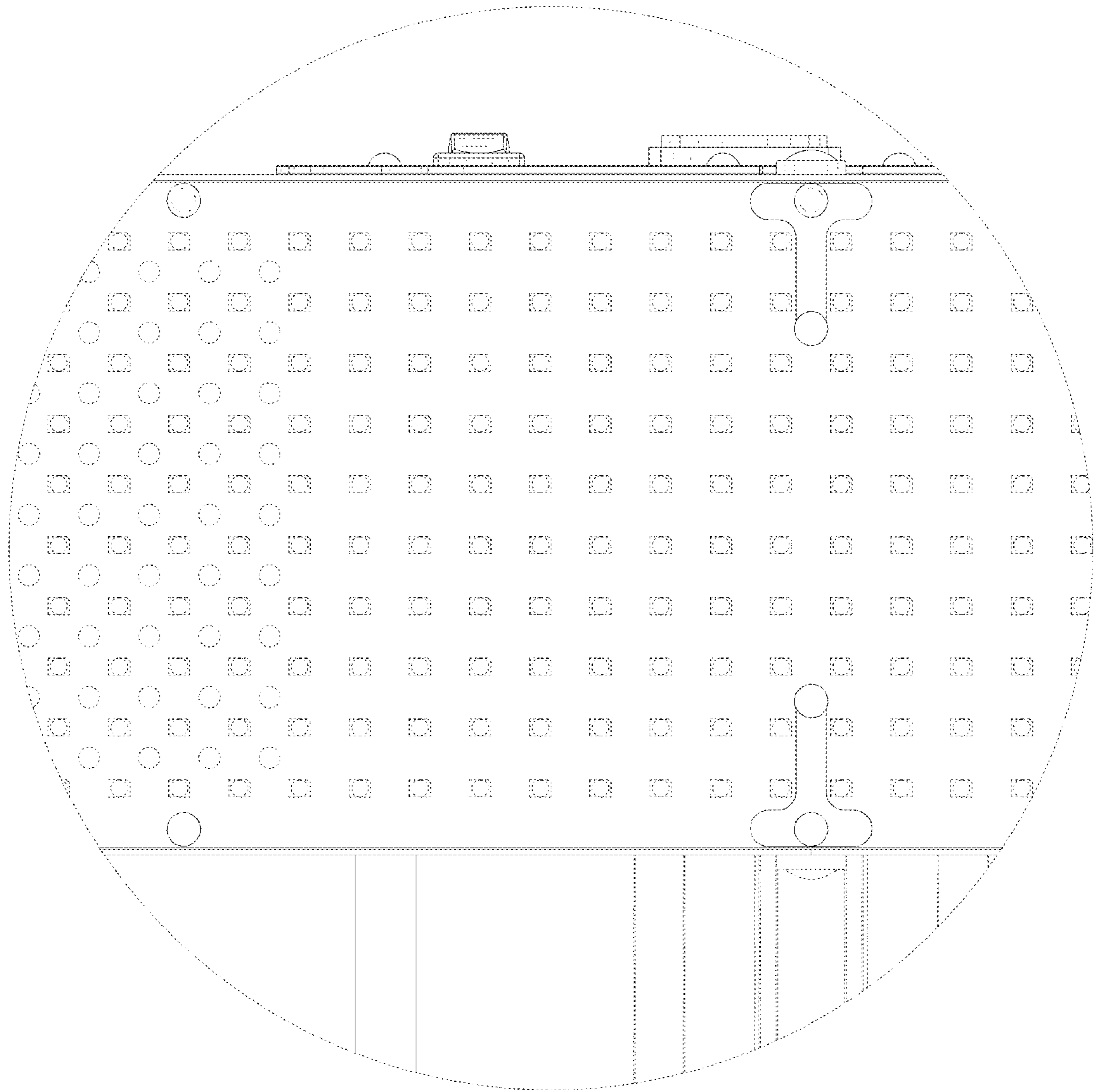


FIG. 9



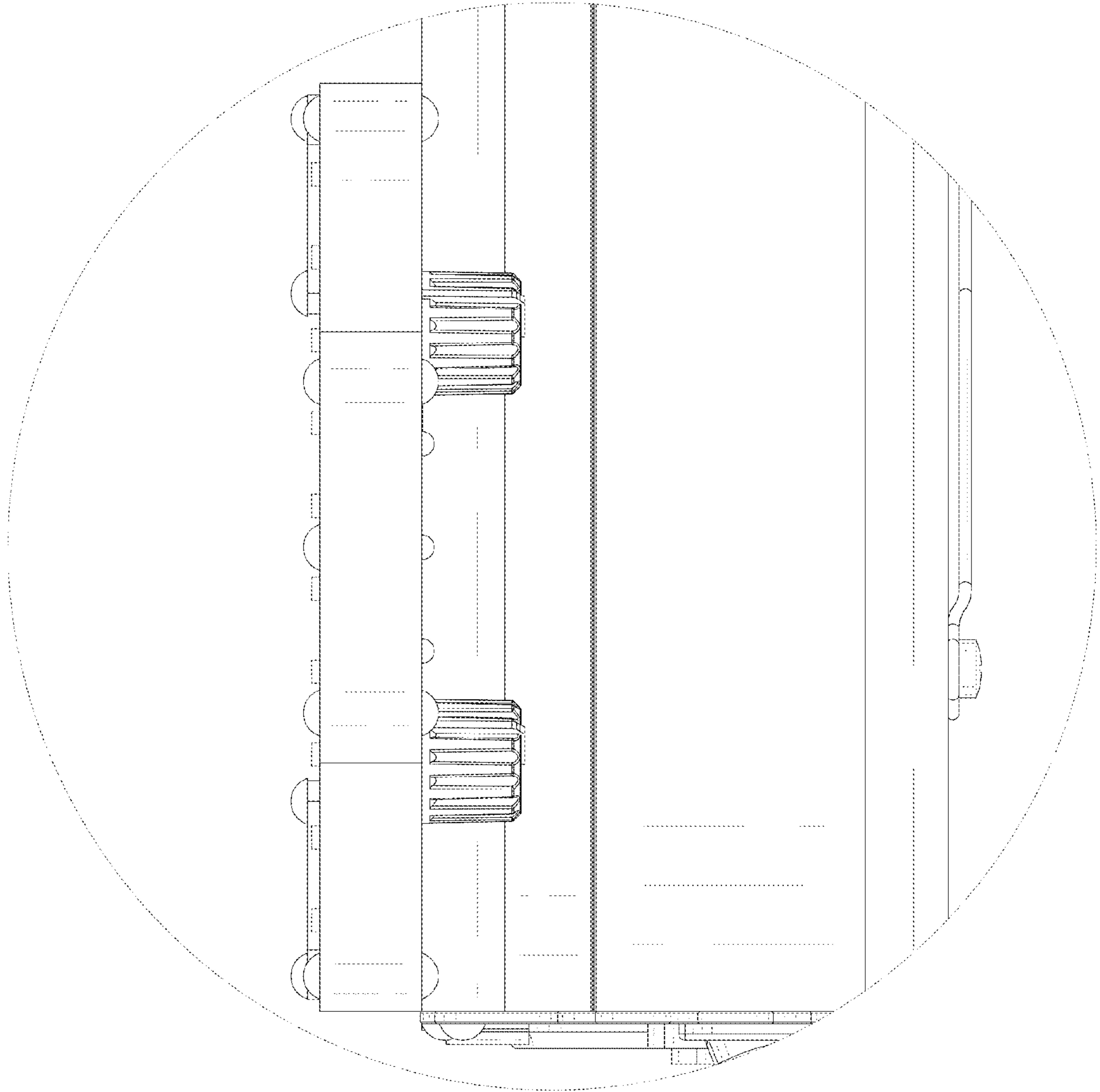


FIG. 10