



US00D976466S

(12) **United States Design Patent** (10) **Patent No.:** **US D976,466 S**
Hsu (45) **Date of Patent:** **** Jan. 24, 2023**

(54) **LAMP WITH HANGER ASSEMBLY**
(71) Applicant: **Dong Guan Jia Sheng Lighting Technology Co., Ltd. China,**
Dong-Guna (CN)
(72) Inventor: **Kevin Hsu,** Taichung (TW)
(73) Assignee: **Dong Guan Jia Sheng Lighting Technology Co., Ltd. China,**
Guang-Dong (CN)

6,805,470 B1 * 10/2004 Ward F21V 31/00
362/455
D608,929 S * 1/2010 Castelli D26/76
D629,553 S * 12/2010 Gielen D26/76
D629,554 S * 12/2010 Gielen D26/80
D660,498 S * 5/2012 Chung D26/75
D695,942 S * 12/2013 Ng D26/75

(Continued)

(**) Term: **15 Years**

(21) Appl. No.: **29/719,035**

(22) Filed: **Dec. 31, 2019**

(51) **LOC (14) Cl.** **26-05**

(52) **U.S. Cl.**
USPC **D26/72; D6/323**

(58) **Field of Classification Search**
USPC D26/24, 51, 56, 60, 61, 63, 64, 72, 74,
D26/75, 76, 80, 81, 85, 91, 89, 90, 118;
D6/320, 323, 324
CPC F21Y 2103/00; F21Y 2105/00; F21Y
2105/16; F21V 21/08; F21V 21/104;
F21V 7/005; F21V 21/025; F21V 23/00;
F21V 23/007

See application file for complete search history.

(56) **References Cited**

U.S. PATENT DOCUMENTS

831,821 A * 9/1906 Beuttell F21V 21/005
362/219
D107,105 S * 11/1937 Stewart D26/75
2,791,681 A * 5/1957 Evans F21V 31/00
292/60
D232,257 S * 7/1974 Paulson D26/80
D239,780 S * 5/1976 Paulson D26/102
6,413,107 B1 * 7/2002 Neuhorst F21V 19/008
439/232

OTHER PUBLICATIONS

LED Linear Light Fixtures, posted at Amazon, date first available
Sep. 3, 2019. Site visited Jul. 21, 2022. Available from internet,
URL: <https://www.amazon.com/Fixtures-Architectural-Suspended-Residential-Commercial/dp/B07XBY2ZV8> (Year: 2019).*

(Continued)

Primary Examiner — Kathleen L Jones

Assistant Examiner — Vanessa Martinez

(74) *Attorney, Agent, or Firm* — Alan D. Kamrath; Karin
L. Williams; Mayer & Williams PC

(57) **CLAIM**

The ornamental design for a lamp with hanger assembly, as
shown and described.

DESCRIPTION

FIG. 1 is a perspective view of a lamp with hanger assembly
showing my design.

FIG. 2 is a front elevational view thereof.

FIG. 3 is a rear elevational view thereof.

FIG. 4 is a left side elevational view thereof.

FIG. 5 is a right side elevational view thereof.

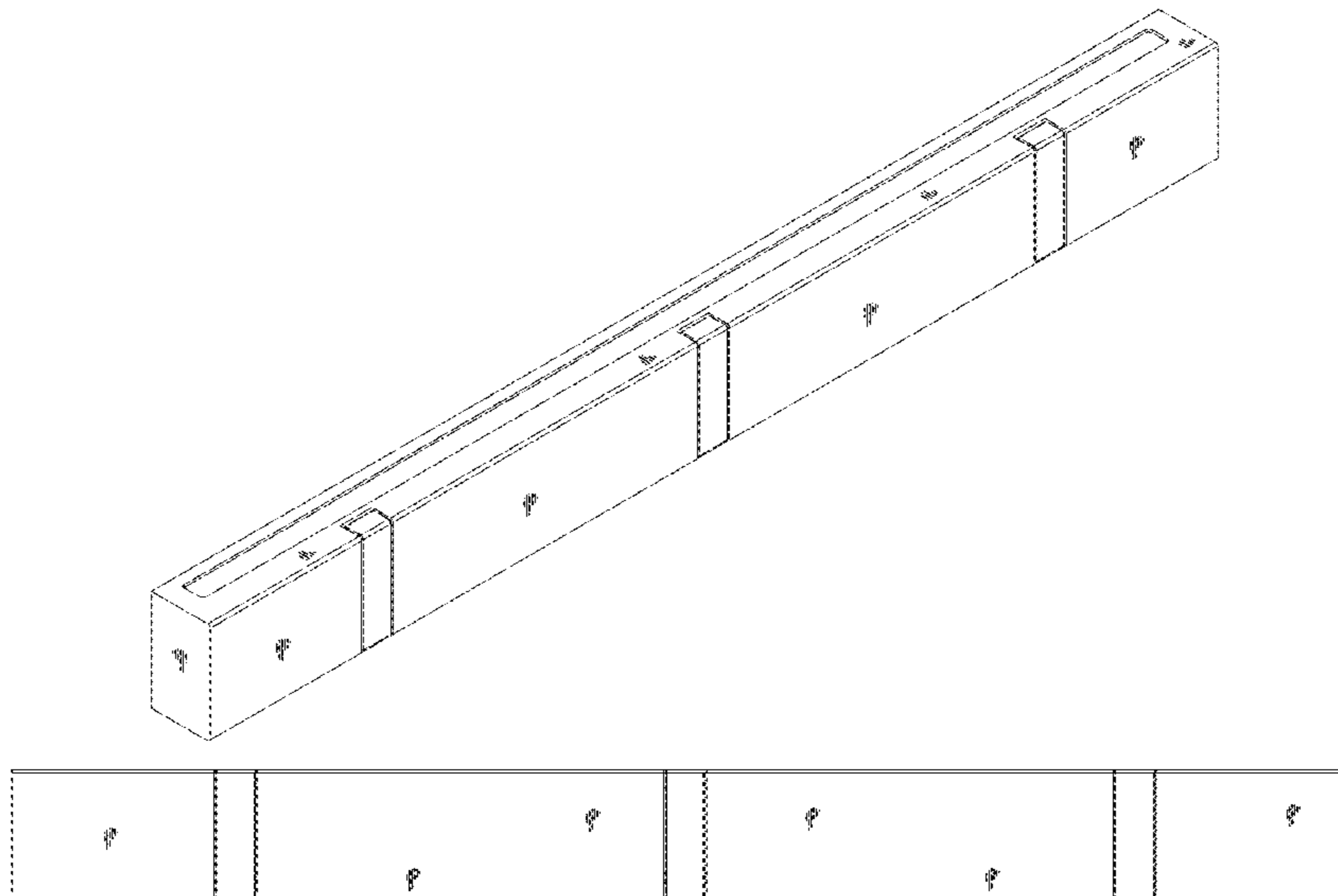
FIG. 6 is a top plan view thereof.

FIG. 7 is a bottom plan view thereof; and,

FIG. 8 is a perspective view showing a lamp with hanger
assembly in an alternate configuration.

The broken lines in the drawings are for the purpose of
illustrating portions of the lamp with hanger assembly that
form no part of the claimed design.

1 Claim, 5 Drawing Sheets



(56)

References Cited

U.S. PATENT DOCUMENTS

D751,237 S * 3/2016 Ferrier D26/90
D756,553 S * 5/2016 Kim D26/76
D774,679 S * 12/2016 Huyghe D26/80
D840,576 S * 2/2019 Gaynor D26/74
D880,043 S * 3/2020 Guerra D26/76
11,168,853 B2 * 11/2021 Hsu F21V 33/0004
2018/0094796 A1 * 4/2018 Hayashi F21V 3/02
2021/0222846 A1 * 7/2021 Hsu F16M 13/02

OTHER PUBLICATIONS

GetInLight Swivel, posted at Amazon, date first available May 29, 2017. Site visited Jul. 21, 2022. Available from internet, URL: <https://www.amazon.com/GetInLight-Lighting-Dimmable-Finished-0109-4-BZ/dp/B071FLS3FV?th=1> (Year: 2017).*

* cited by examiner

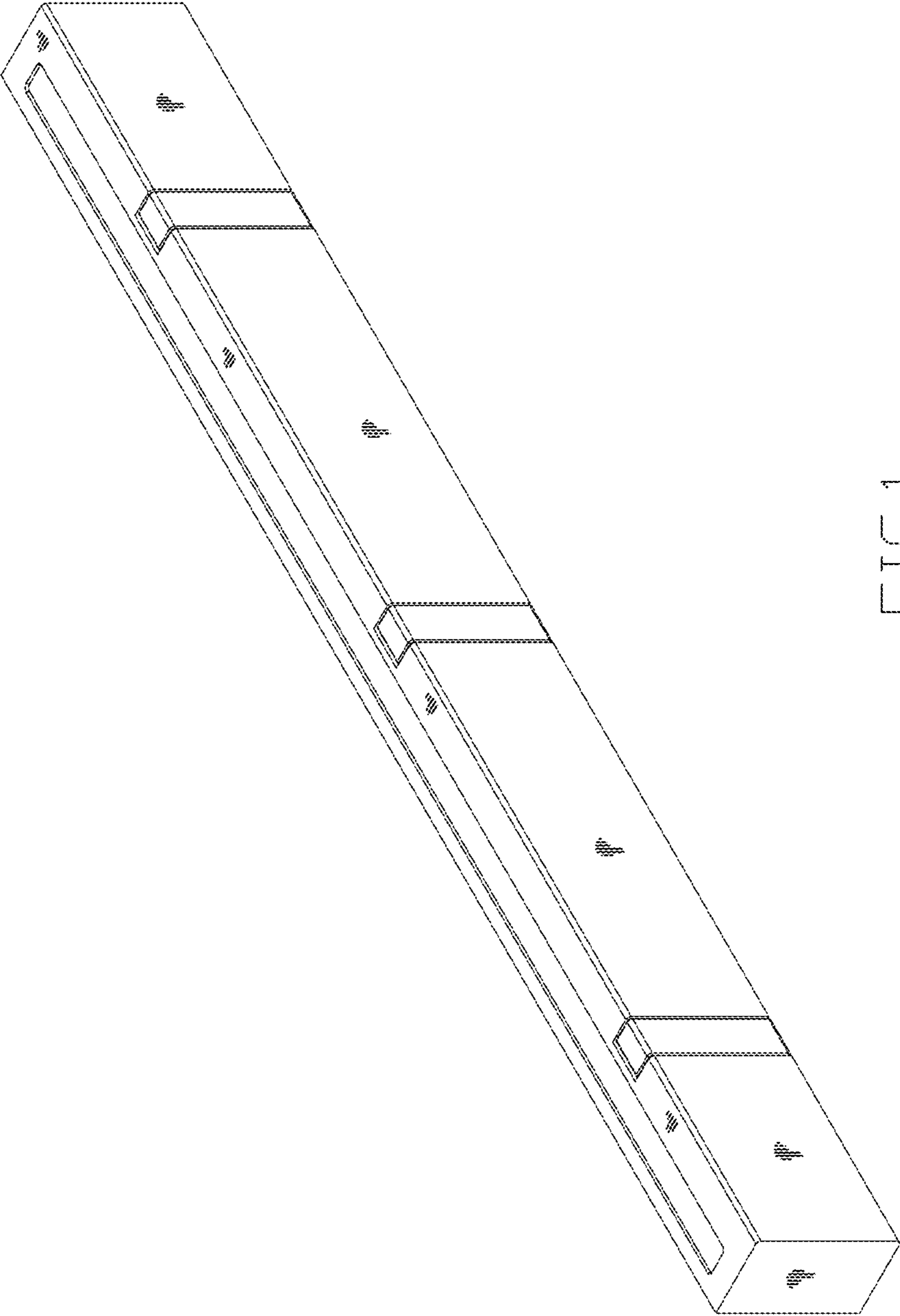


FIG.1

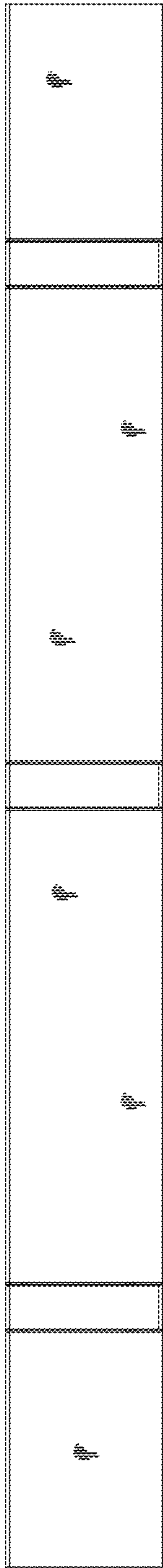


FIG. 2

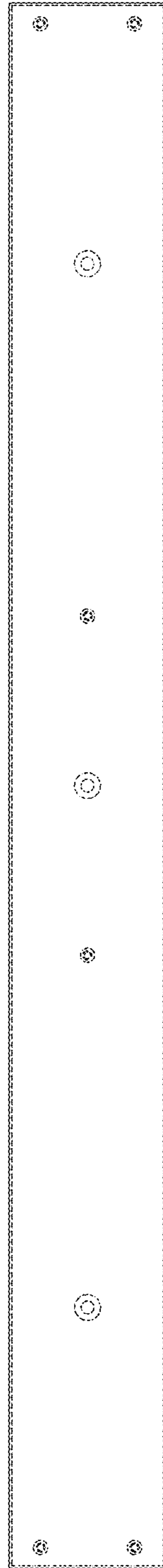


FIG. 3

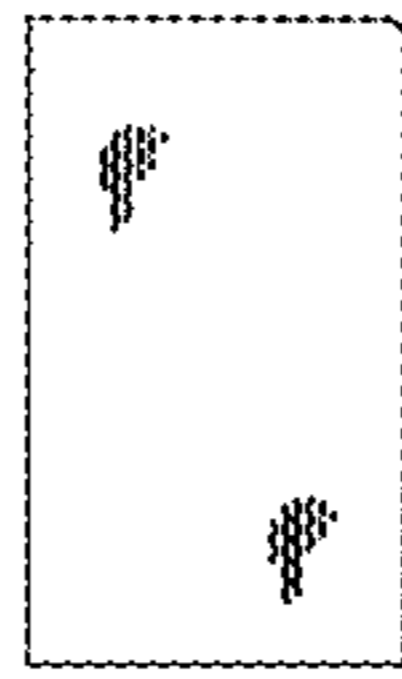


FIG. 4

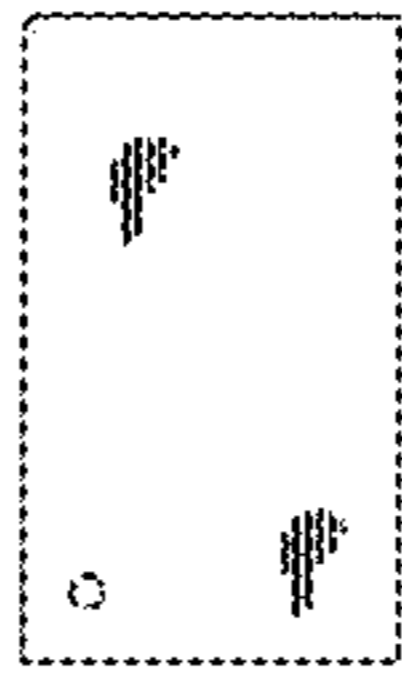


FIG. 5

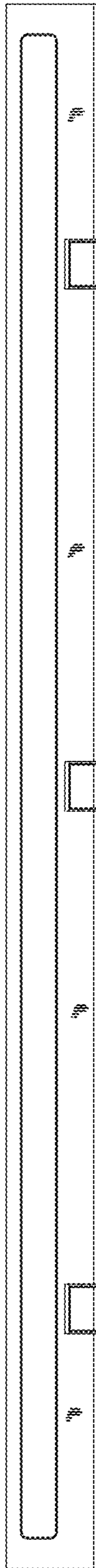


FIG. 6

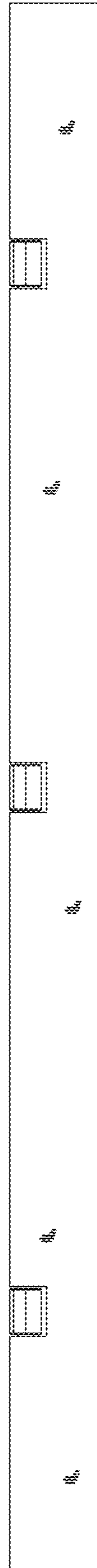


FIG. 7

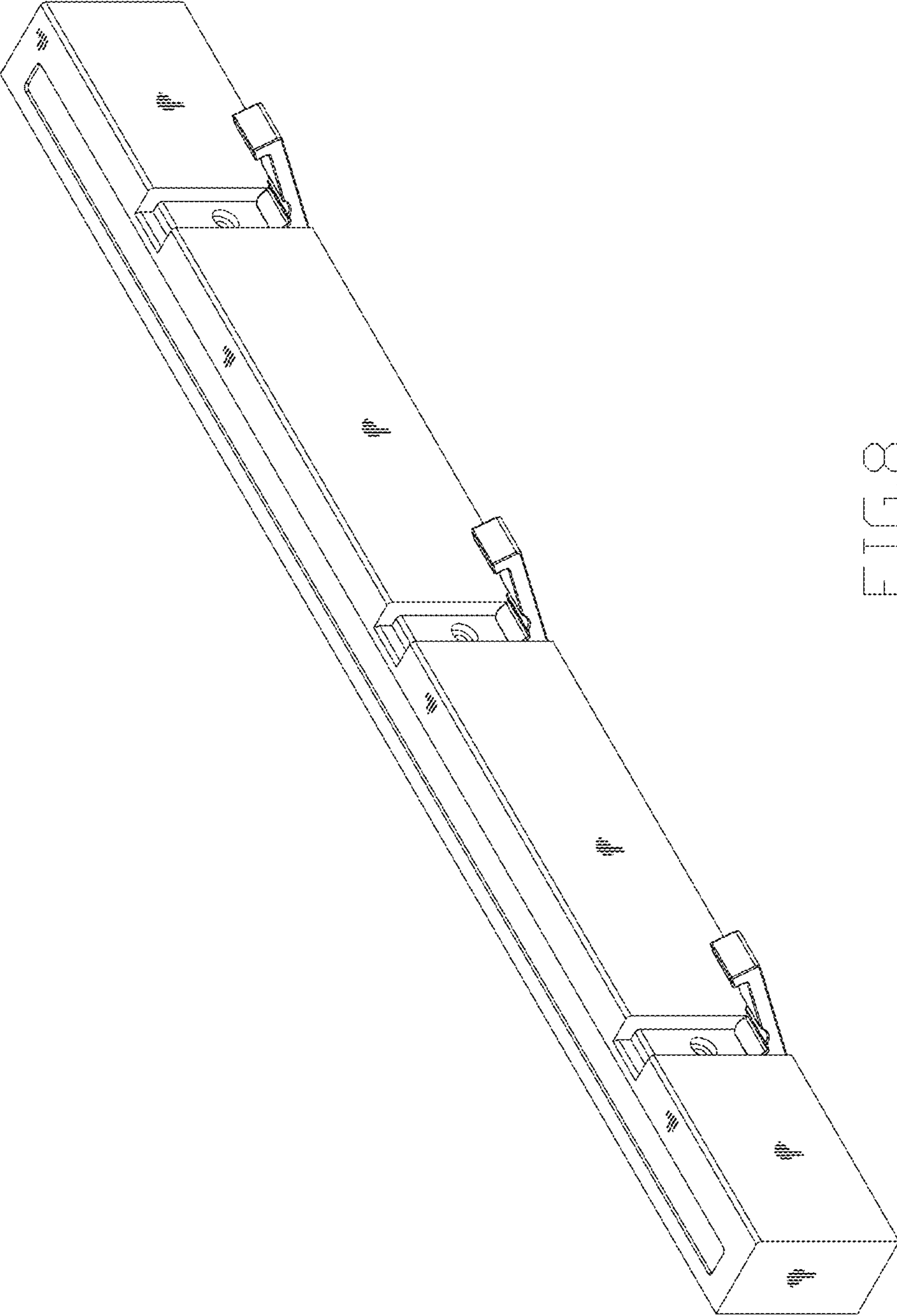


FIG. 8