



US00D976464S

(12) **United States Design Patent**
Nobes

(10) **Patent No.:** **US D976,464 S**

(45) **Date of Patent:** **** Jan. 24, 2023**

(54) **LIGHT DEVICE HAVING A SOLAR PANEL**

(71) Applicant: **Fusion Products LTD.**, Cambridge
(CA)

(72) Inventor: **Randy Nobes**, Kitchener (CA)

(73) Assignee: **Fusion Products Ltd.**, Cambridge (CA)

(**) Term: **15 Years**

(21) Appl. No.: **29/716,119**

(22) Filed: **Dec. 6, 2019**

(51) **LOC (14) Cl.** **26-05**

(52) **U.S. Cl.**
USPC **D26/67**

(58) **Field of Classification Search**
USPC D26/24, 60, 61, 63, 65, 67, 68, 69, 72,
D26/93, 102, 106, 107, 131
CPC F21S 6/00; F21S 6/002; F21S 6/003; F21S
6/004; F21S 6/005; F21S 6/006; F21S
6/008; F21S 9/00; F21S 9/03; F21S
9/037; F21S 8/081; F21S 8/088; F21W
2131/109
See application file for complete search history.

(56) **References Cited**

U.S. PATENT DOCUMENTS

D606,226 S *	12/2009	Chen	D26/67
D629,952 S *	12/2010	Sooferian	D26/68
D678,575 S *	3/2013	Chen	D26/67
D698,066 S *	1/2014	Sooferian	D26/68
D707,380 S *	6/2014	Sooferian	D26/68
D716,988 S *	11/2014	Sooferian	D26/68
D716,989 S *	11/2014	Sooferian	D26/68
8,901,827 B1 *	12/2014	Xu	H05B 47/19 362/183
D756,015 S *	5/2016	Sooferian	D26/68
D757,980 S *	5/2016	Sooferian	D26/68
D882,143 S *	4/2020	Sooferian	D26/67
D887,612 S *	6/2020	Hollinger	D26/67
D888,311 S *	6/2020	Sooferian	D26/67

D892,381 S *	8/2020	Lin	D26/67
D913,570 S *	3/2021	Chelf	D26/99
D930,876 S *	9/2021	Nobes	D26/51
D933,278 S *	10/2021	Sooferian	D26/67

(Continued)

FOREIGN PATENT DOCUMENTS

CA	RGN_194020	*	1/2022
CN	RGN_302664159	*	11/2013
CN	RGN_303071743	*	1/2015

OTHER PUBLICATIONS

Solar_Metal_Glass_Stake_Light (available online Nov. 28, 2020)
Retrieved from the internet Sep. 30, 2022 from URL: <https://web.archive.org/web/20201128084530/http://www.fusionproducts.ca/public/show.php?id=74>.*

Primary Examiner — Richard Kearney

(74) *Attorney, Agent, or Firm* — Millen, White, Zelano & Branigan, P.C.; William Nixon

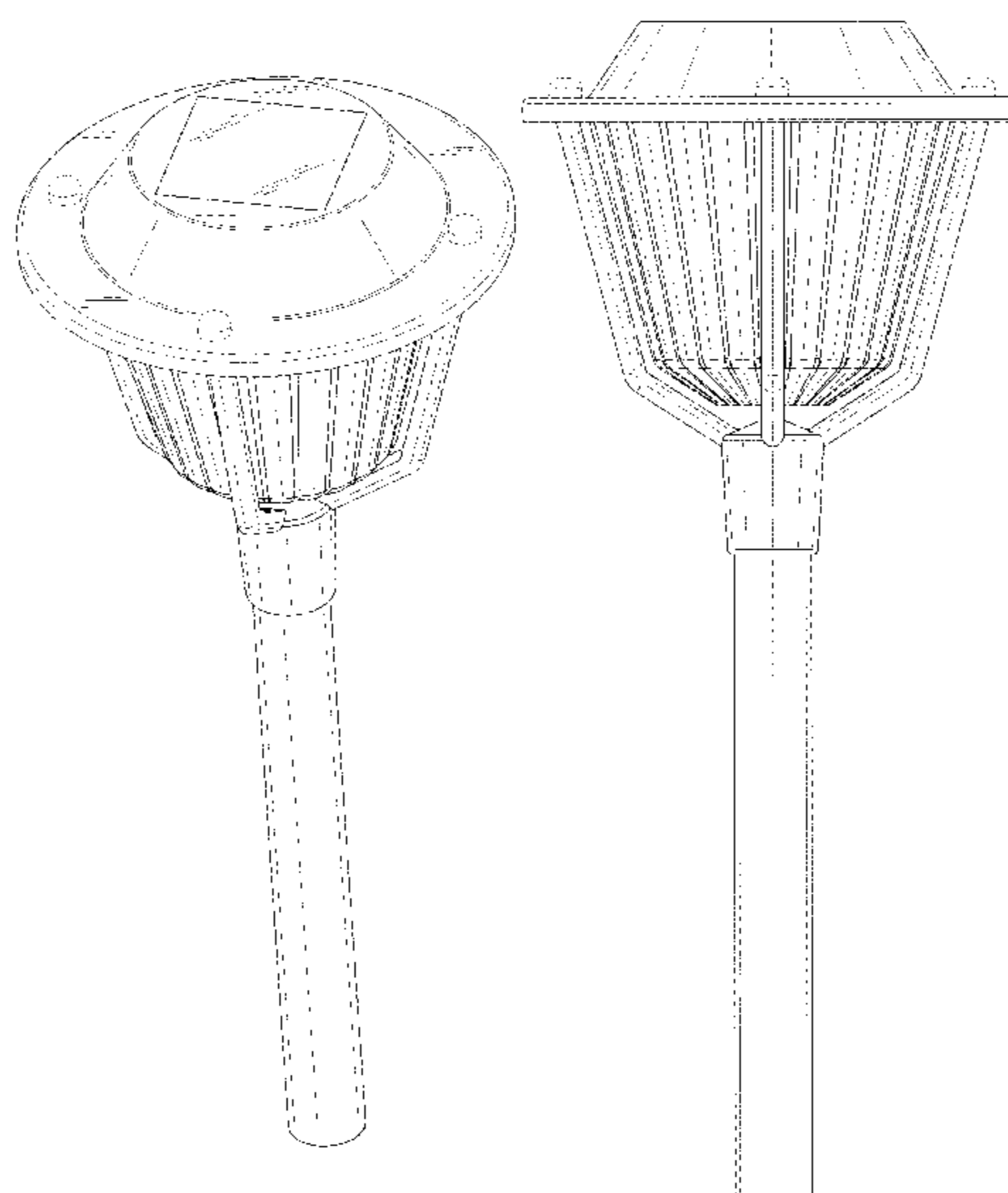
(57) **CLAIM**

The ornamental design for a light device having a solar panel, as shown and described.

DESCRIPTION

FIG. 1 illustrates a top perspective view of the light device having a solar panel according to my new design.
FIG. 2 illustrates a front elevational view of the light device.
FIG. 3 illustrates a rear elevational view of the light device.
FIG. 4 illustrates a right side view of the light device.
FIG. 5 illustrates a left side elevational view of the light device.
FIG. 6 illustrates a top plan view of the light device; and,
FIG. 7 illustrates a bottom plan of the light device.
The broken lines in the drawings depict portions of the light device having a solar panel and form no part of the claimed design.

1 Claim, 7 Drawing Sheets



(56)

References Cited

U.S. PATENT DOCUMENTS

D949,452 S *	4/2022	Zeng	D26/67
2012/0020061 A1 *	1/2012	Schefers	F21S 9/03 362/183

* cited by examiner

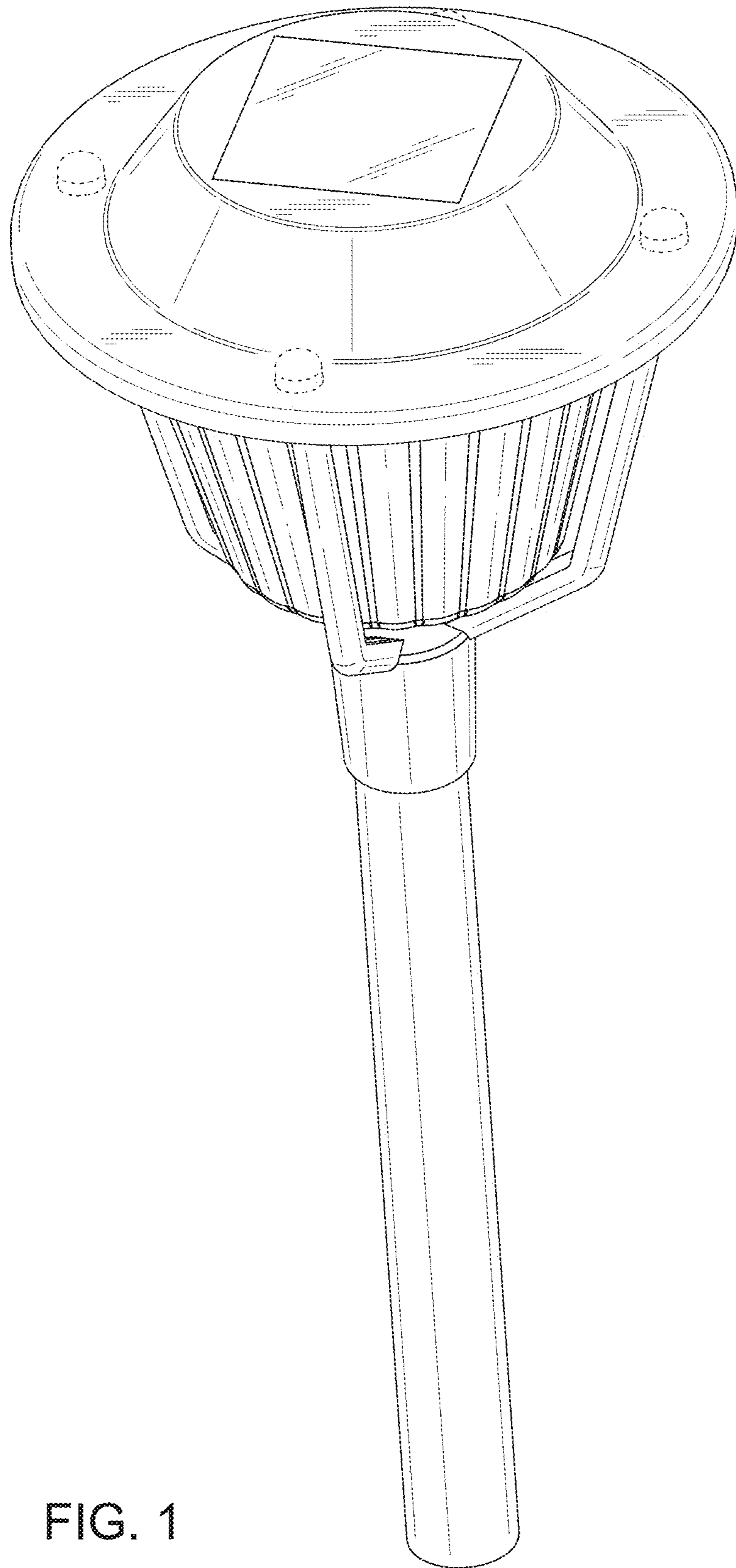


FIG. 1

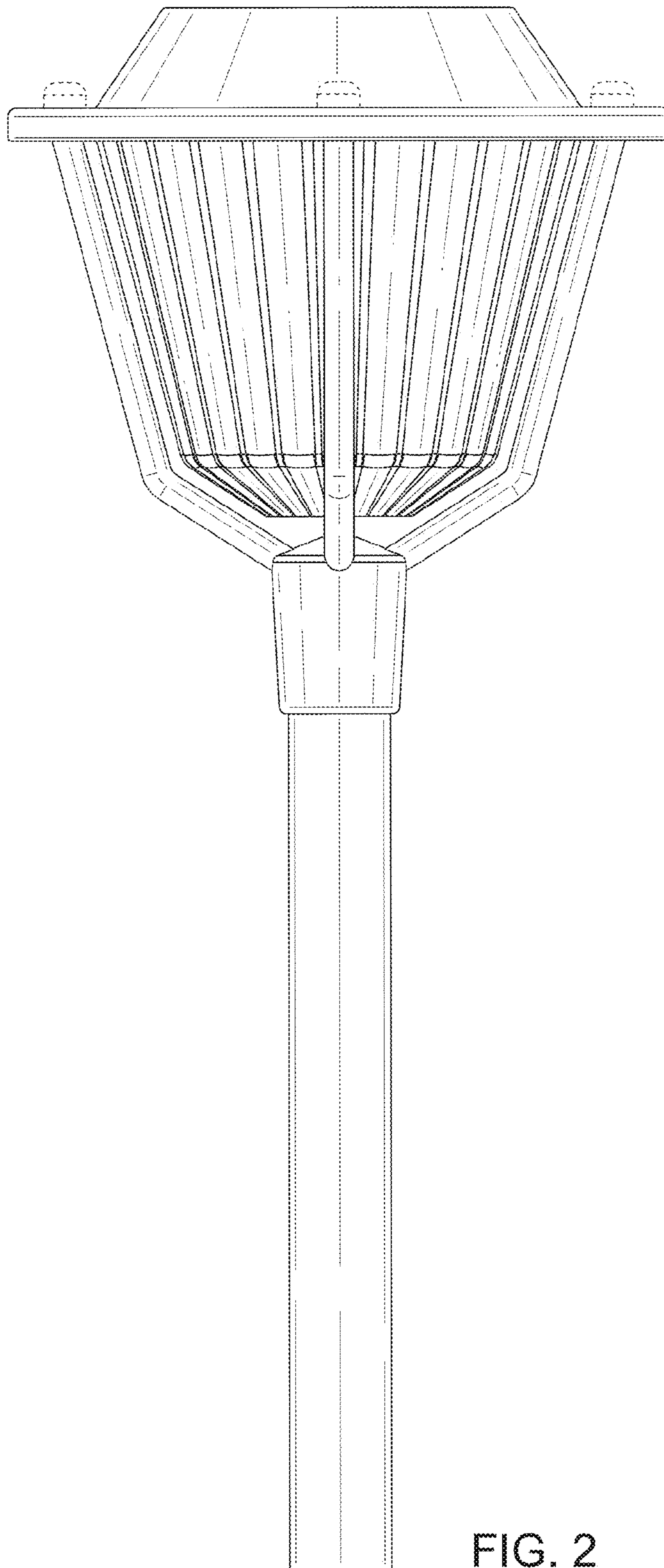


FIG. 2

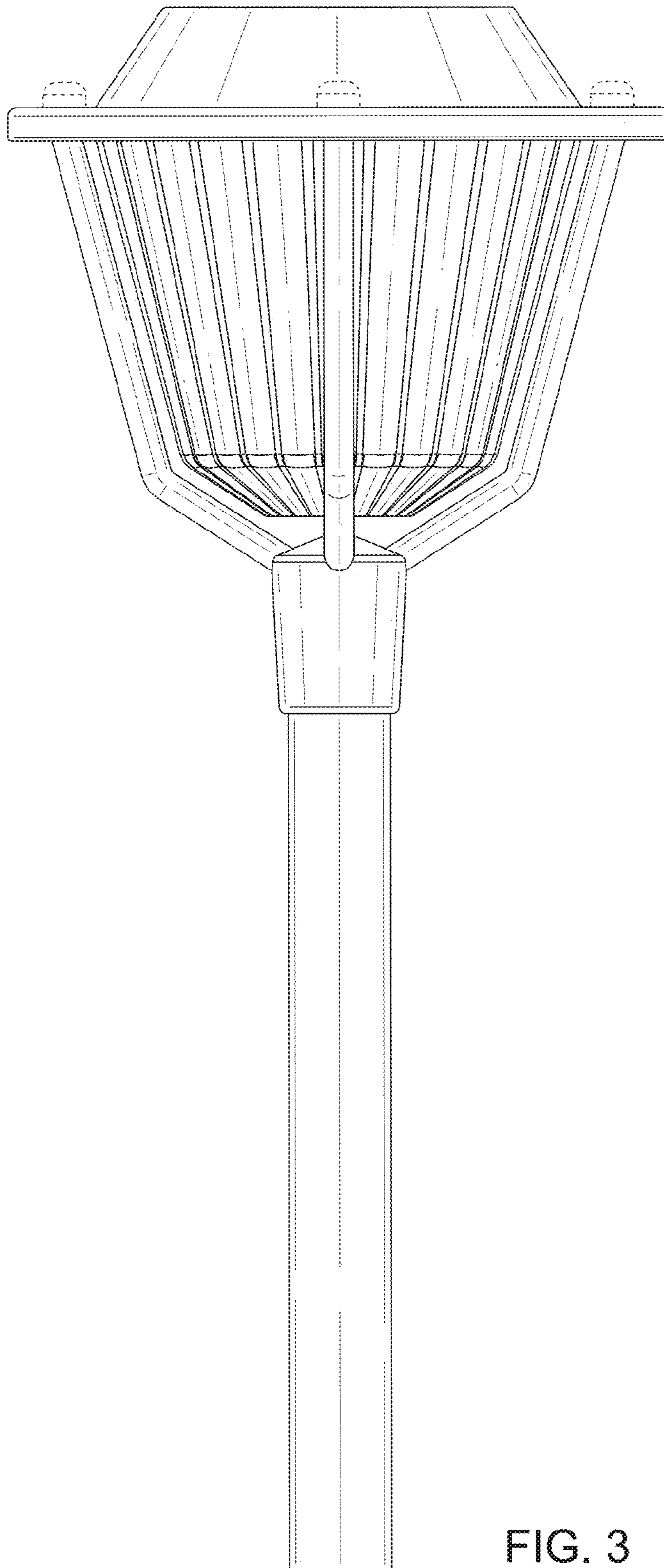


FIG. 3

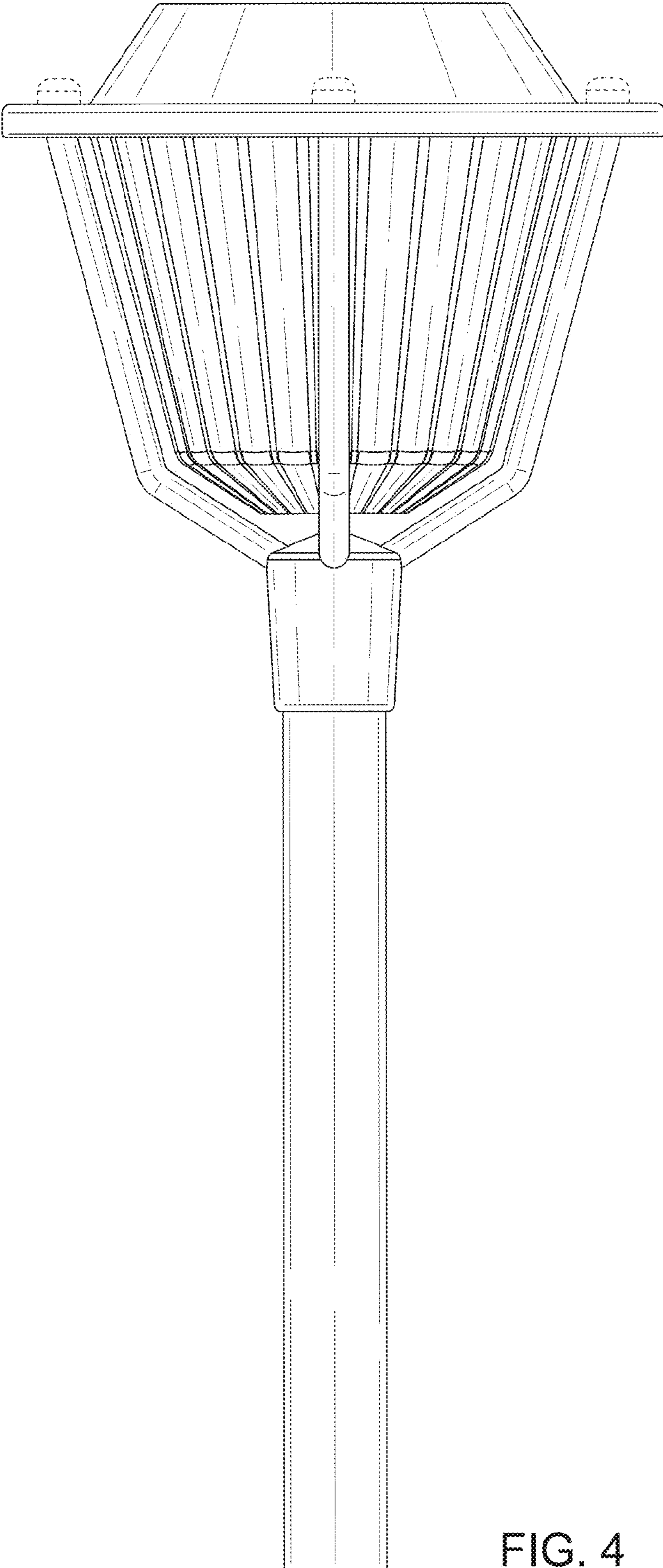


FIG. 4

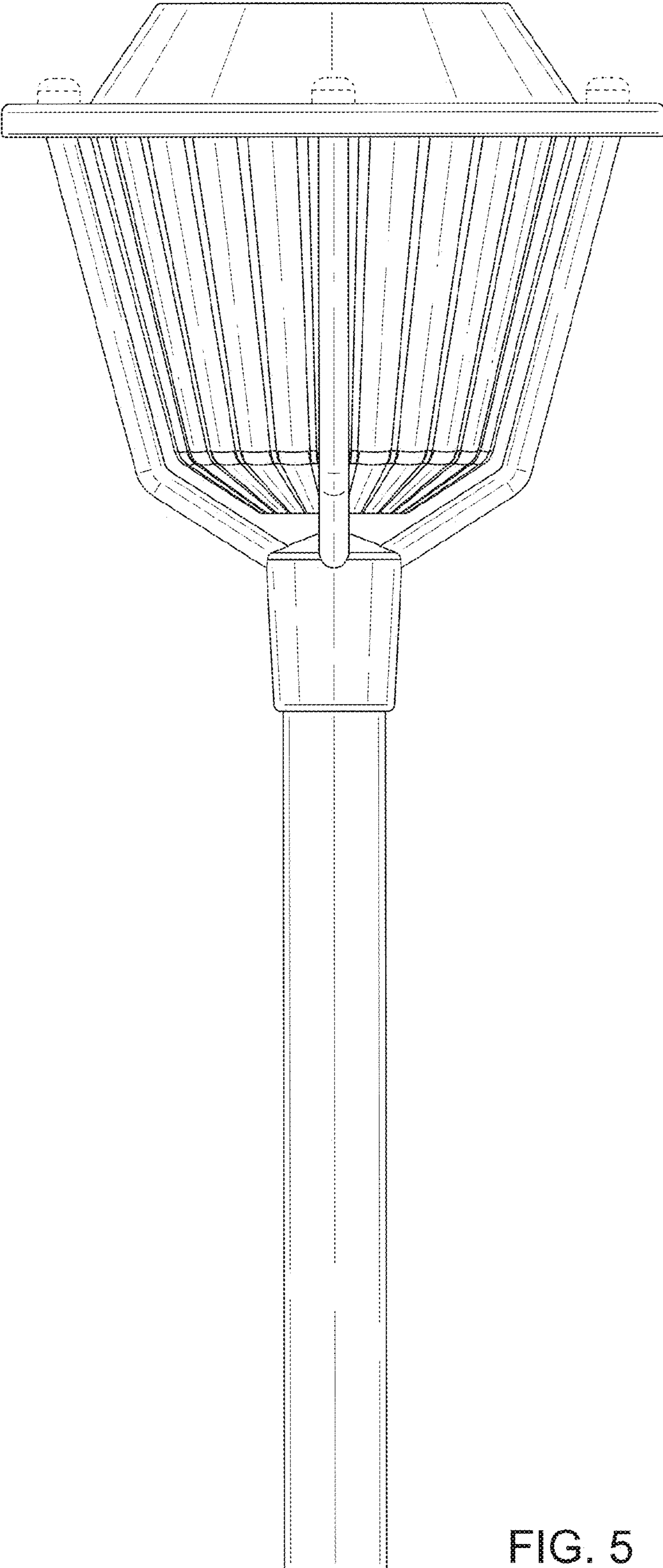


FIG. 5

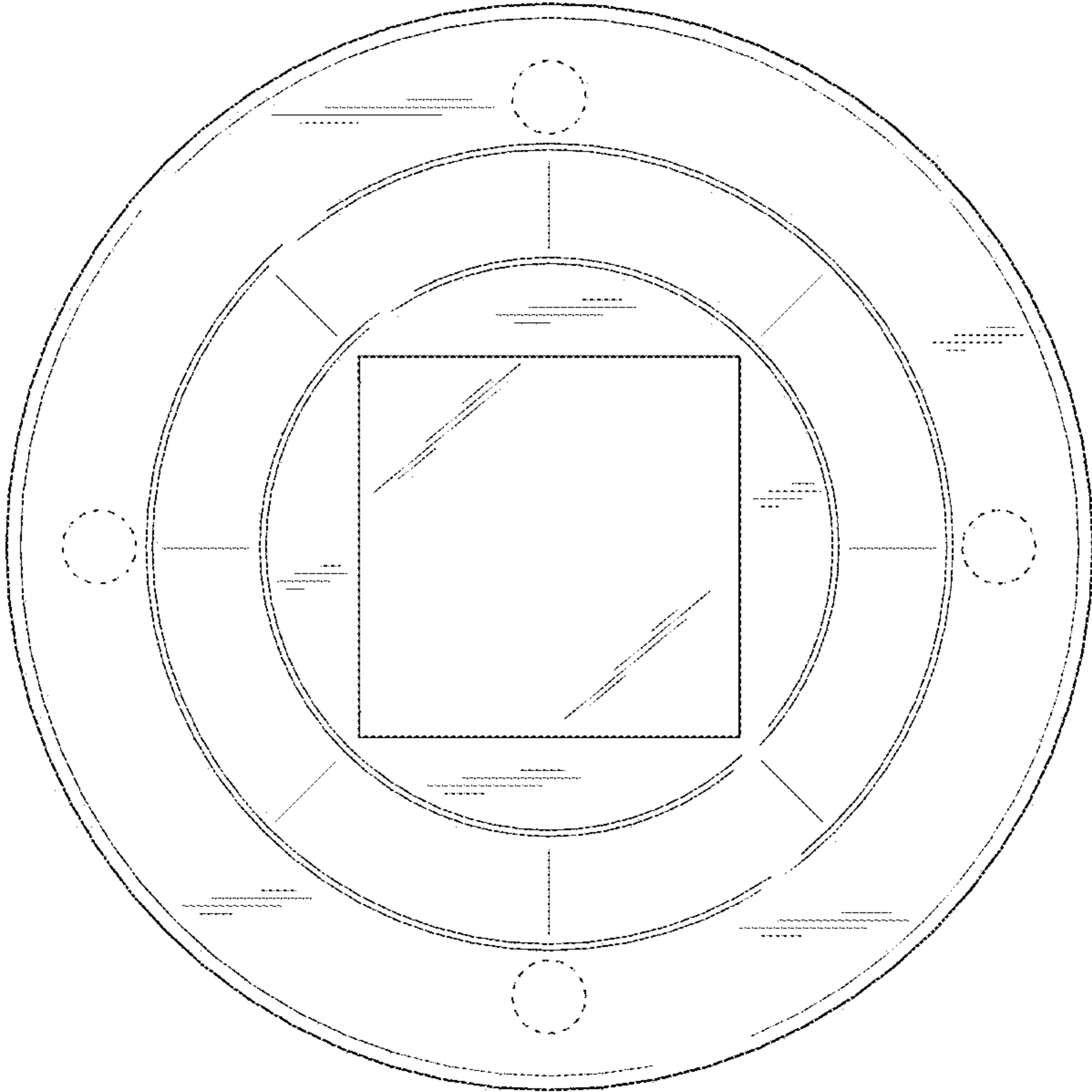


FIG. 6

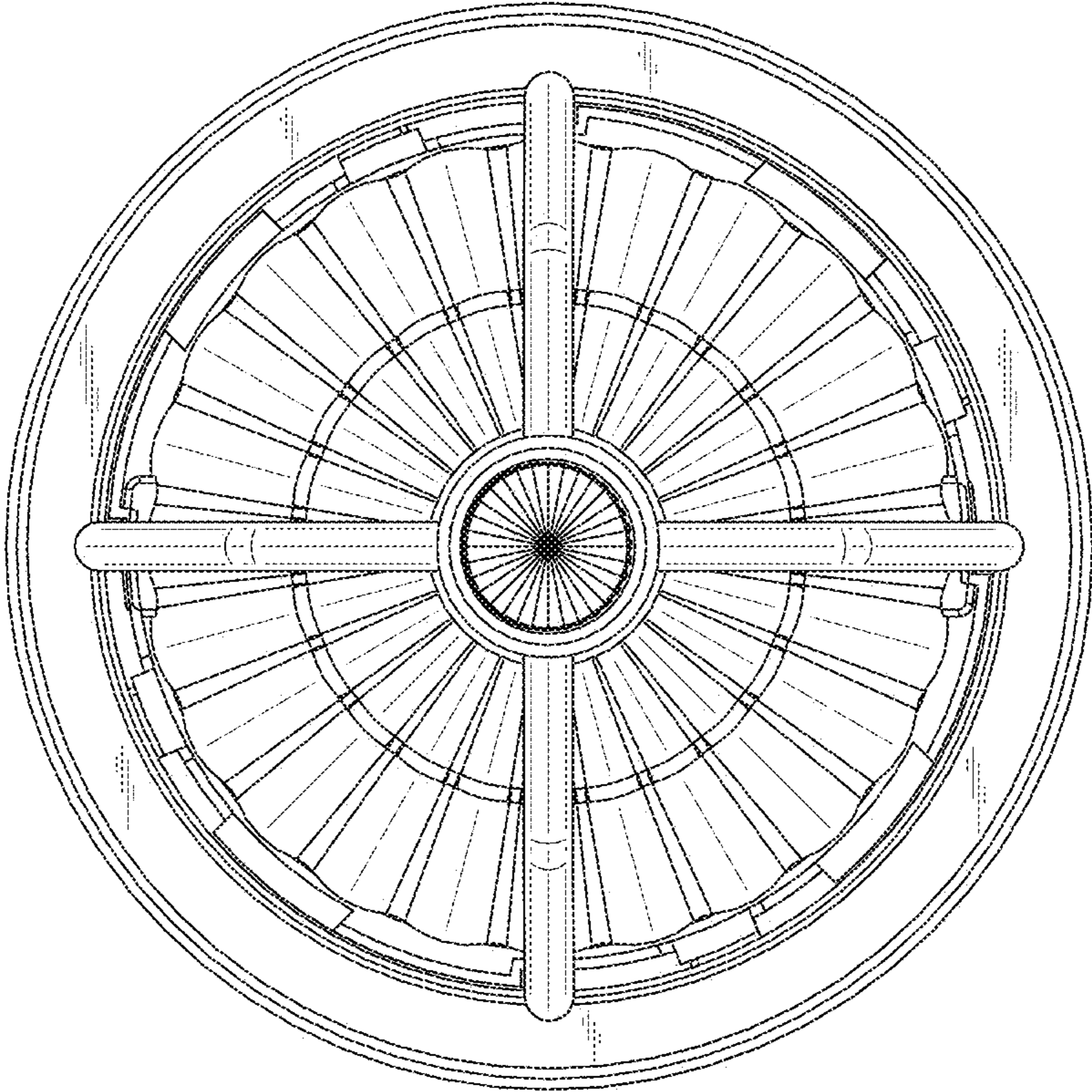


FIG. 7