



US00D976463S

(12) **United States Design Patent** (10) **Patent No.:** **US D976,463 S**  
**Zheng** (45) **Date of Patent:** **\*\* Jan. 24, 2023**

(54) **LAMP**

(71) Applicant: **Yan Zheng**, Zhejiang (CN)

(72) Inventor: **Yan Zheng**, Zhejiang (CN)

(73) Assignee: **Ningbo Mengtai Electronic Industry and Trade Co., Ltd**, Ningbo (CN)

(\*\*) Term: **15 Years**

(21) Appl. No.: **29/781,902**

(22) Filed: **May 3, 2021**

(51) **LOC (14) Cl.** ..... **26-02**

(52) **U.S. Cl.**  
USPC ..... **D26/63**

(58) **Field of Classification Search**  
USPC ..... D26/37, 44, 61, 63  
CPC ... F21L 4/005; F21L 4/04; F21L 4/045; F21L 4/027; F21L 14/02; F21Y 2113/13  
See application file for complete search history.

(56) **References Cited**

**U.S. PATENT DOCUMENTS**

D703,356 S *	4/2014	Grandadam	.....	D26/44
D703,357 S *	4/2014	Grandadam	.....	D26/44
D704,873 S *	5/2014	Cha	.....	D26/44
D767,183 S *	9/2016	Caito	.....	D26/42
D819,245 S *	5/2018	Garza	.....	F21V 21/30 D26/44
D853,609 S *	7/2019	Uematsu	.....	D26/44
D858,837 S *	9/2019	Vasquez	.....	D26/37
D895,182 S *	9/2020	Liang	.....	D26/37
D898,258 S *	10/2020	Bao	.....	D26/44
D916,340 S *	4/2021	Chen	.....	F21V 21/30 D26/44
D950,117 S *	4/2022	Duan	.....	D26/42
D956,296 S *	6/2022	Cacciabeve	.....	D26/61

**OTHER PUBLICATIONS**

Amazon | OmiBrite-LED Rechargeable Magnetic Work Light, posted on Jul. 14, 2021, © 1996-2022, Amazon.com, Inc. [online], site visited Oct. 28, 2022]. Available from Internet, <URL: https://www.amazon.com/Rechargeable-Magnetic-Foldable-Underhood-Brightness/dp/B099DNJSWM/ref=sr\_1\_27> (Year: 2021).\*

\* cited by examiner

*Primary Examiner* — Cary M Robinson  
*Assistant Examiner* — Julie Marie Bailey

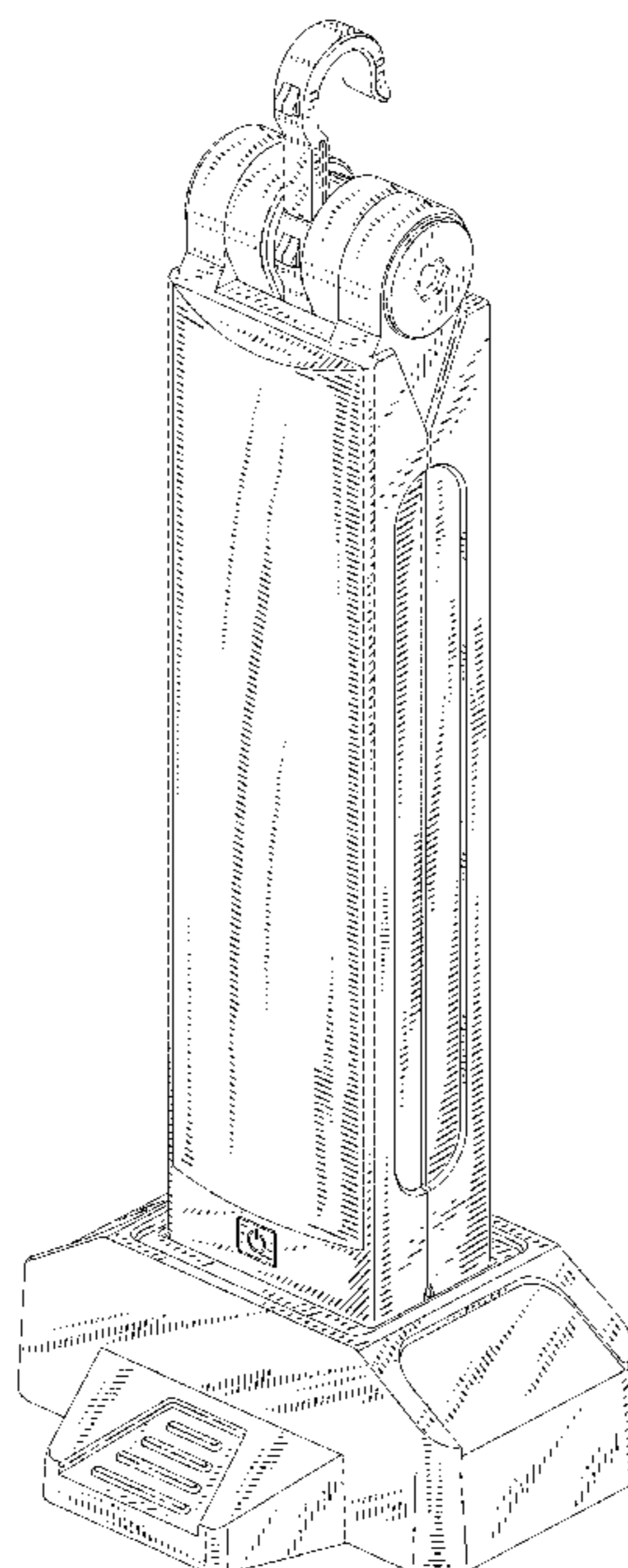
(57) **CLAIM**

The ornamental design for a lamp, as shown and described.

**DESCRIPTION**

FIG. 1 is a top, front, left side perspective view of a lamp showing my new design;  
FIG. 2 is a top, rear, right side perspective view thereof;  
FIG. 3 is a front elevation view thereof;  
FIG. 4 is a rear elevation view thereof;  
FIG. 5 is a left side elevation view thereof;  
FIG. 6 is a right side elevation view thereof;  
FIG. 7 is an enlarged top plan view thereof;  
FIG. 8 is an enlarged bottom plan view thereof;  
FIG. 9 is a top, rear, left side perspective view of the lamp, in unfolded position, in condition of use; and,  
FIG. 10 is a top, rear, right side perspective view of the lamp, in further unfolded position, in condition of use.  
The broken lines in the drawings illustrate portions of the lamp that form no part of the claimed design.

**1 Claim, 10 Drawing Sheets**



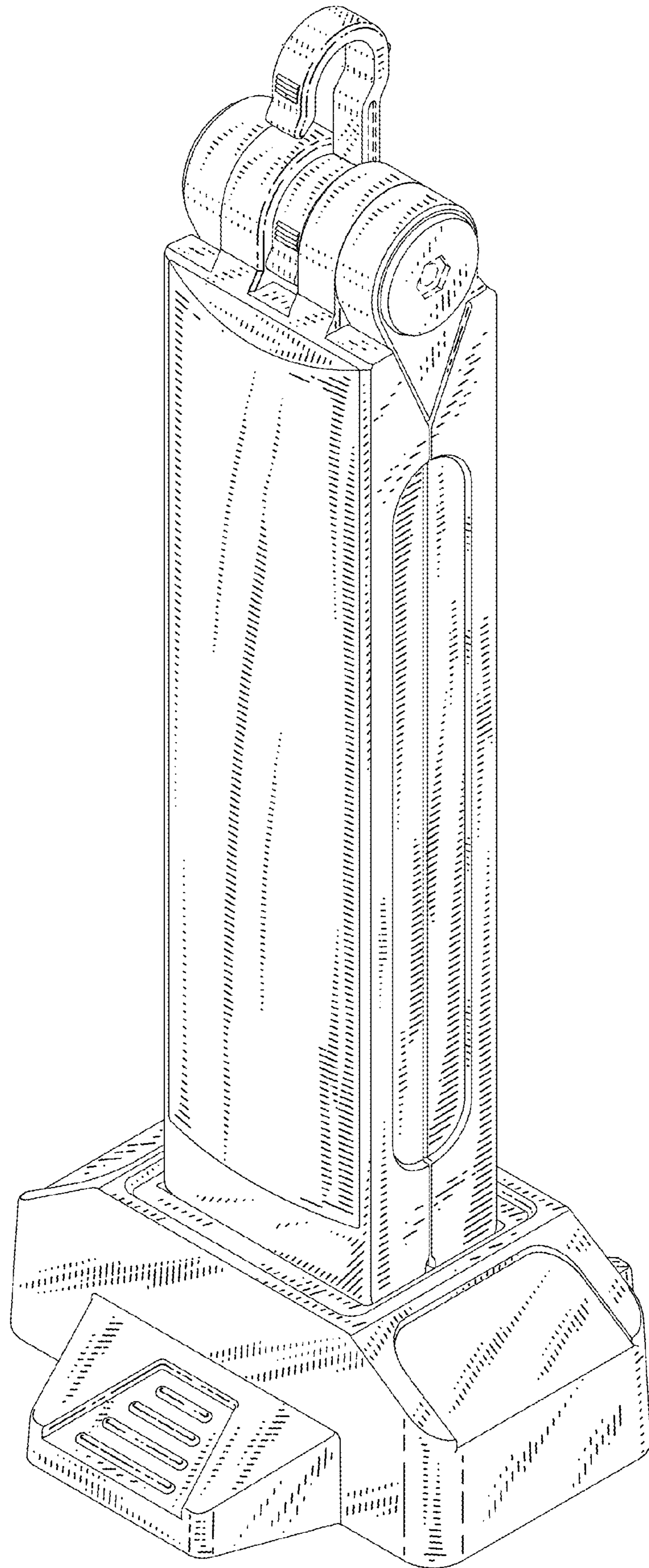


FIG.1

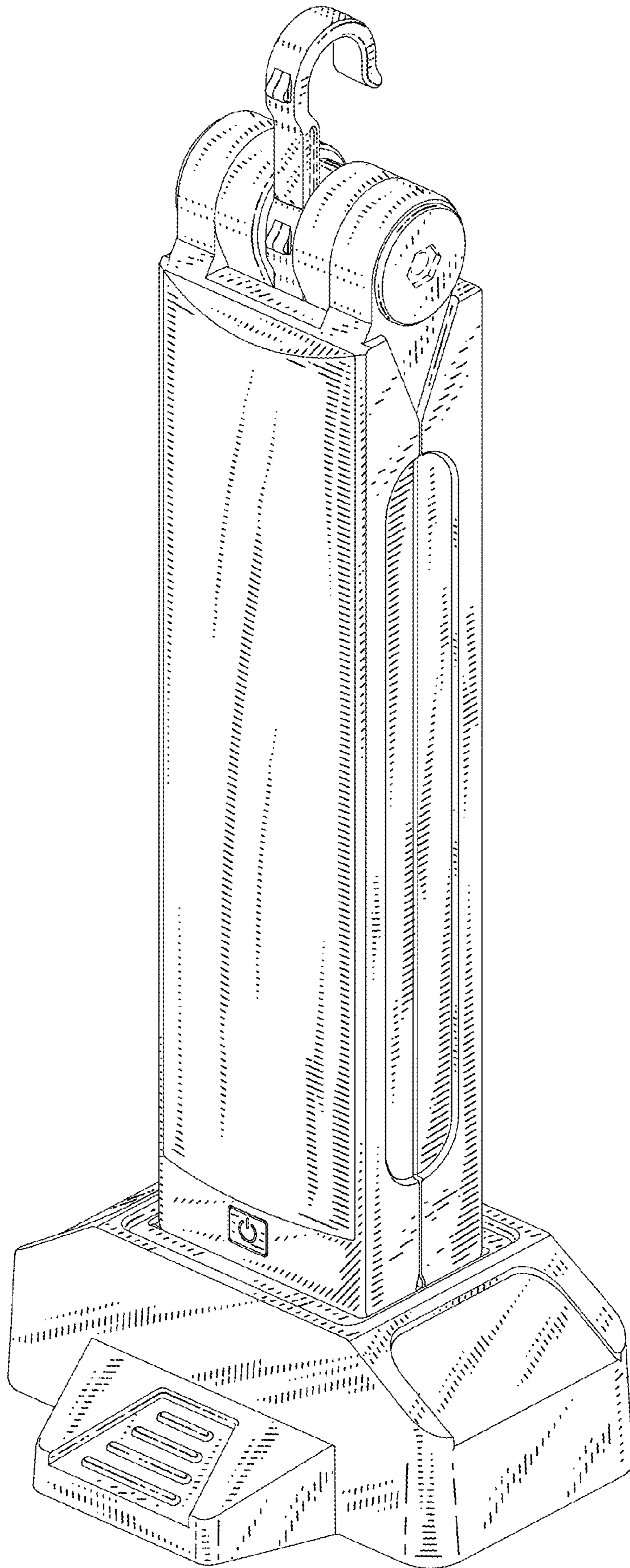


FIG.2

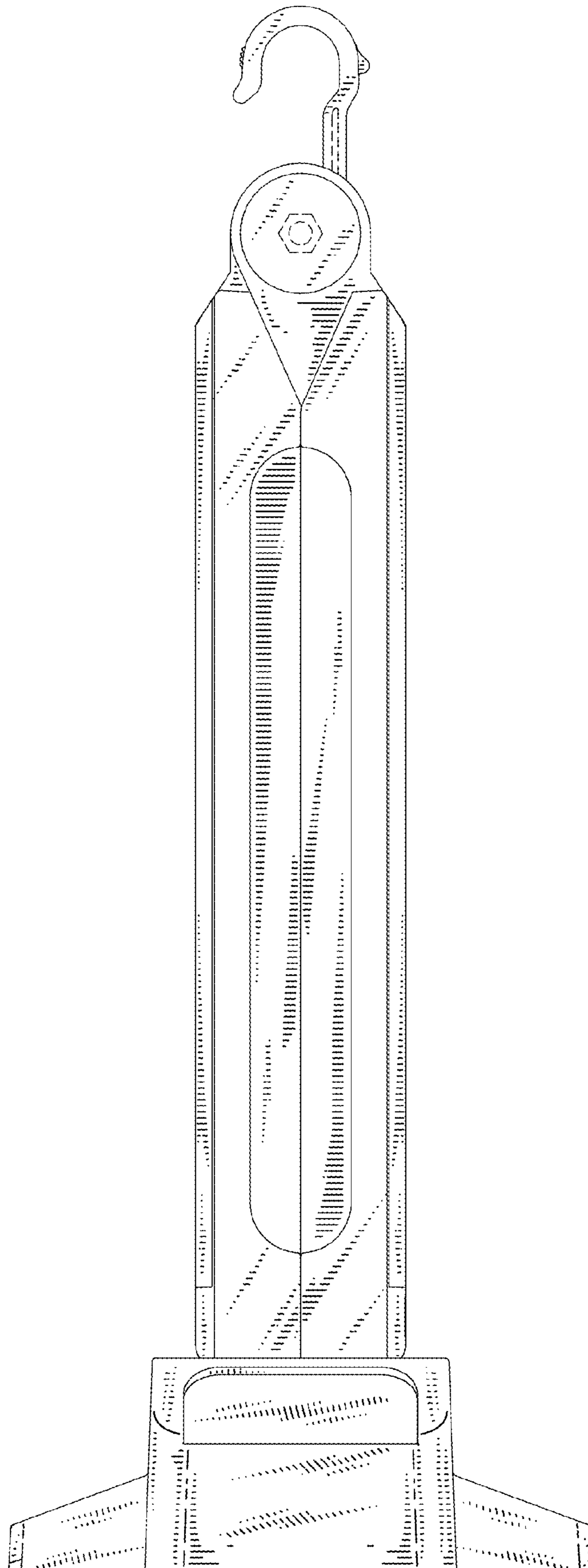


FIG.3

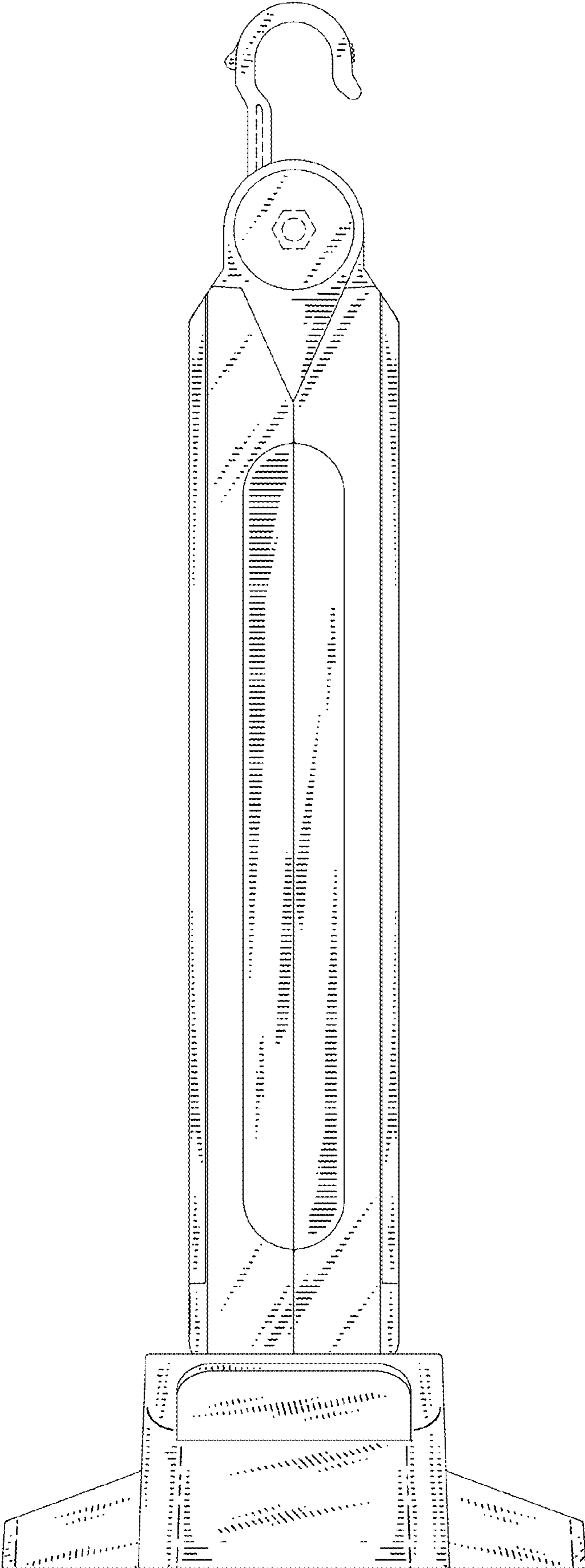
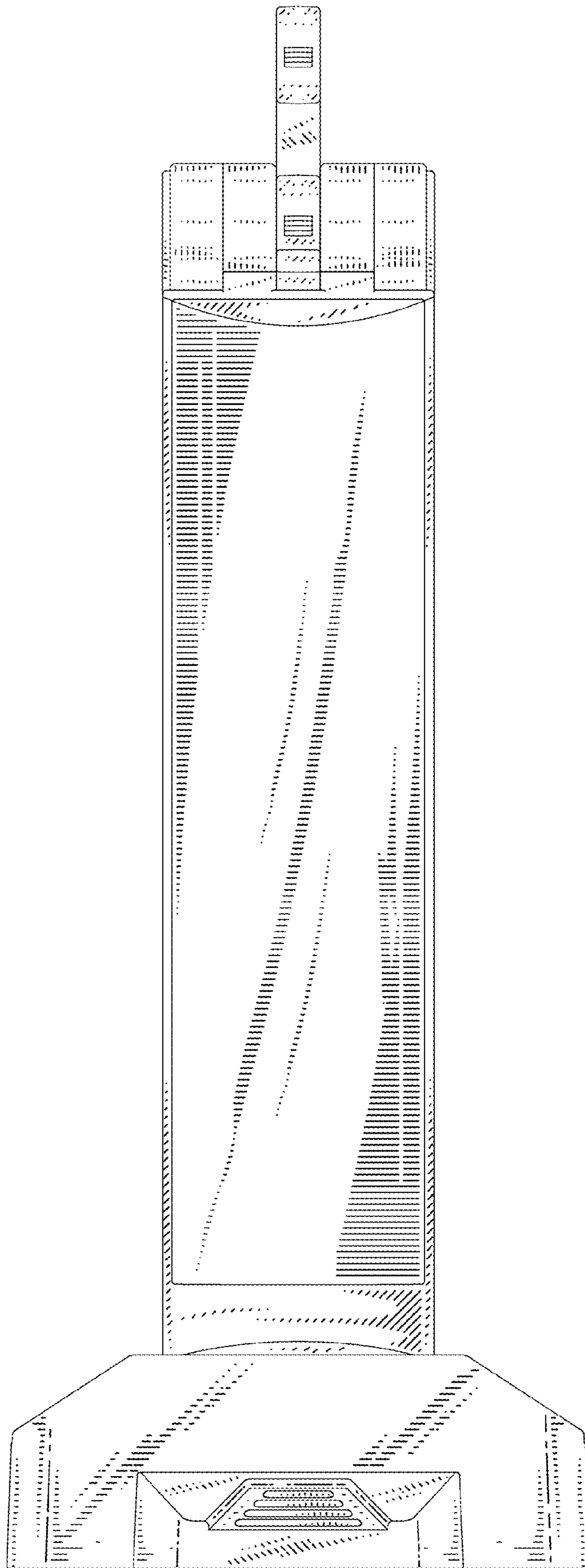


FIG.4



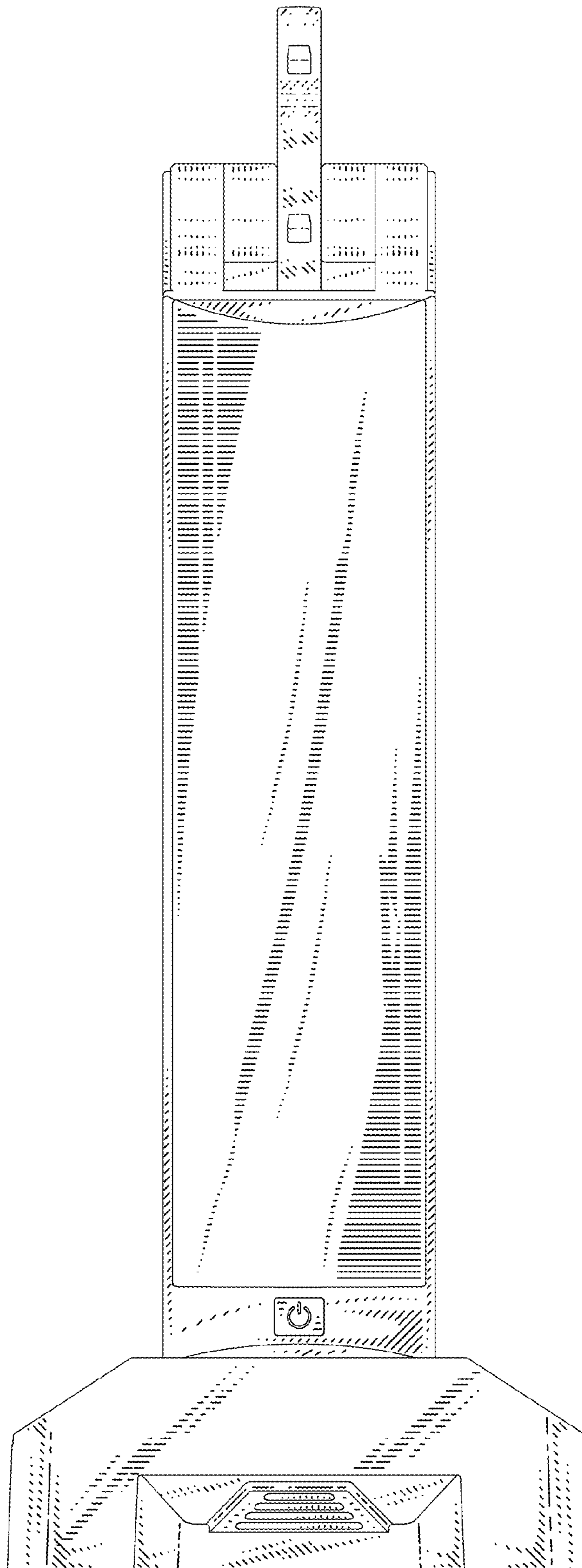


FIG.6

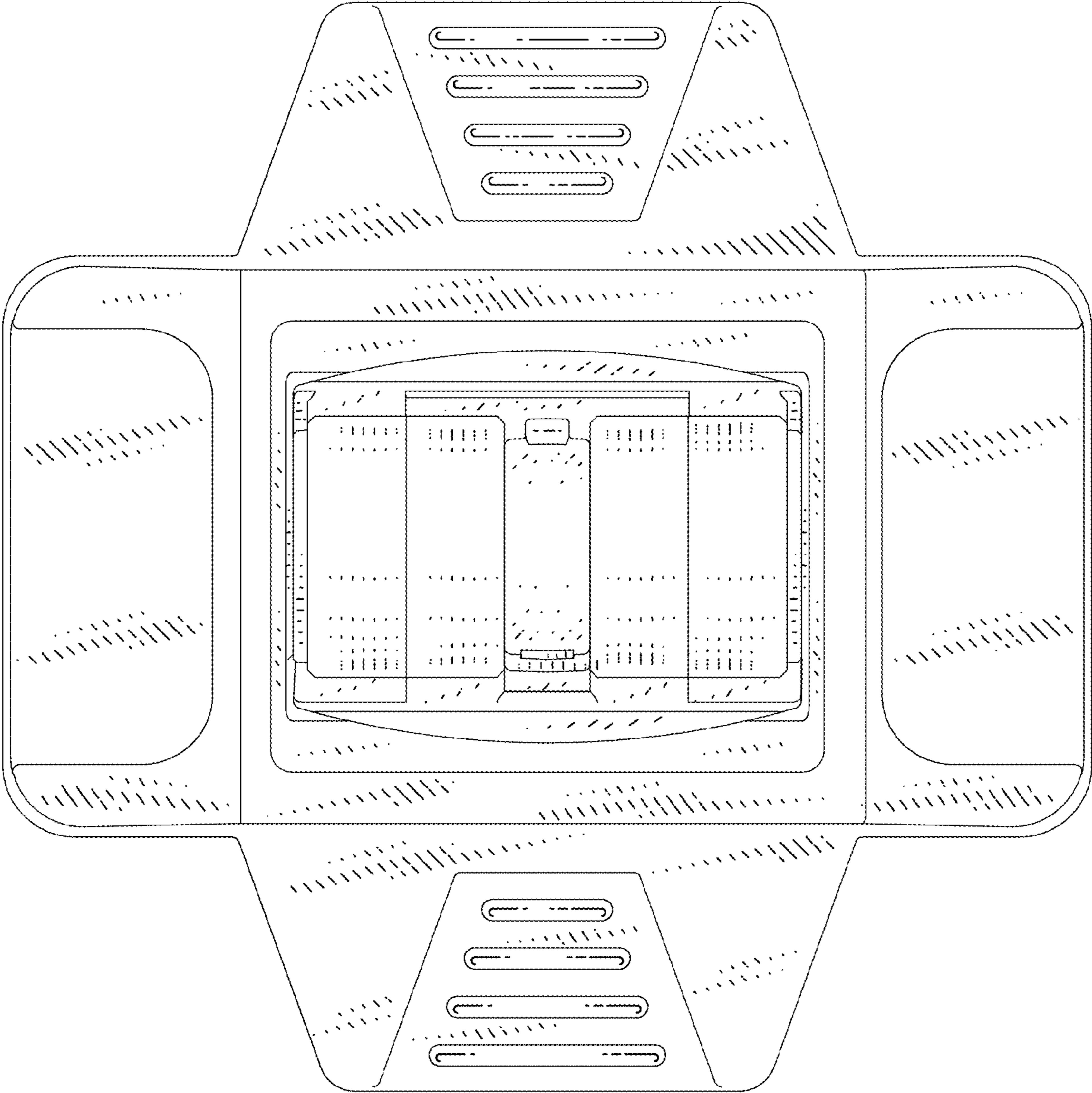


FIG.7



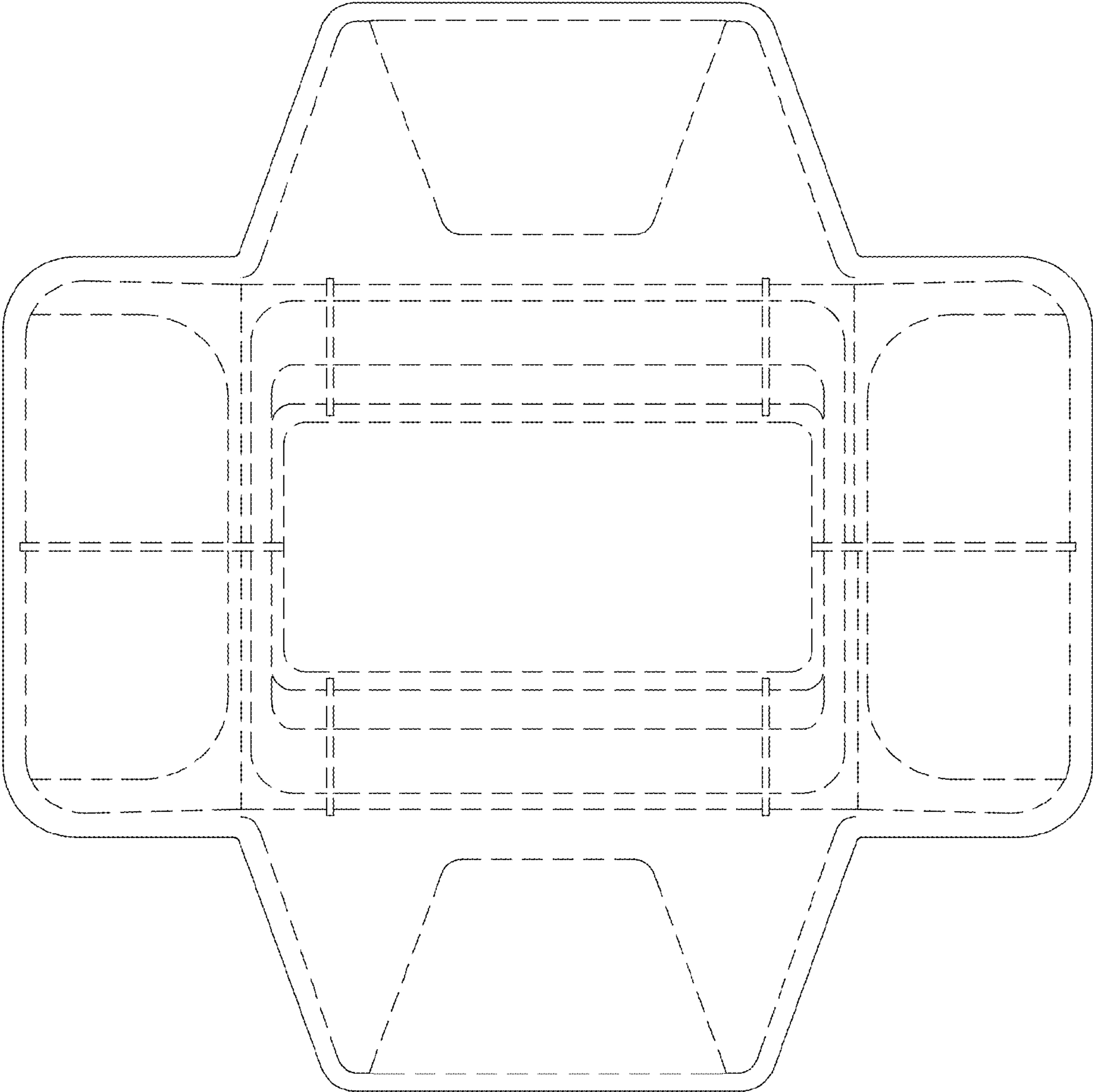


FIG.8

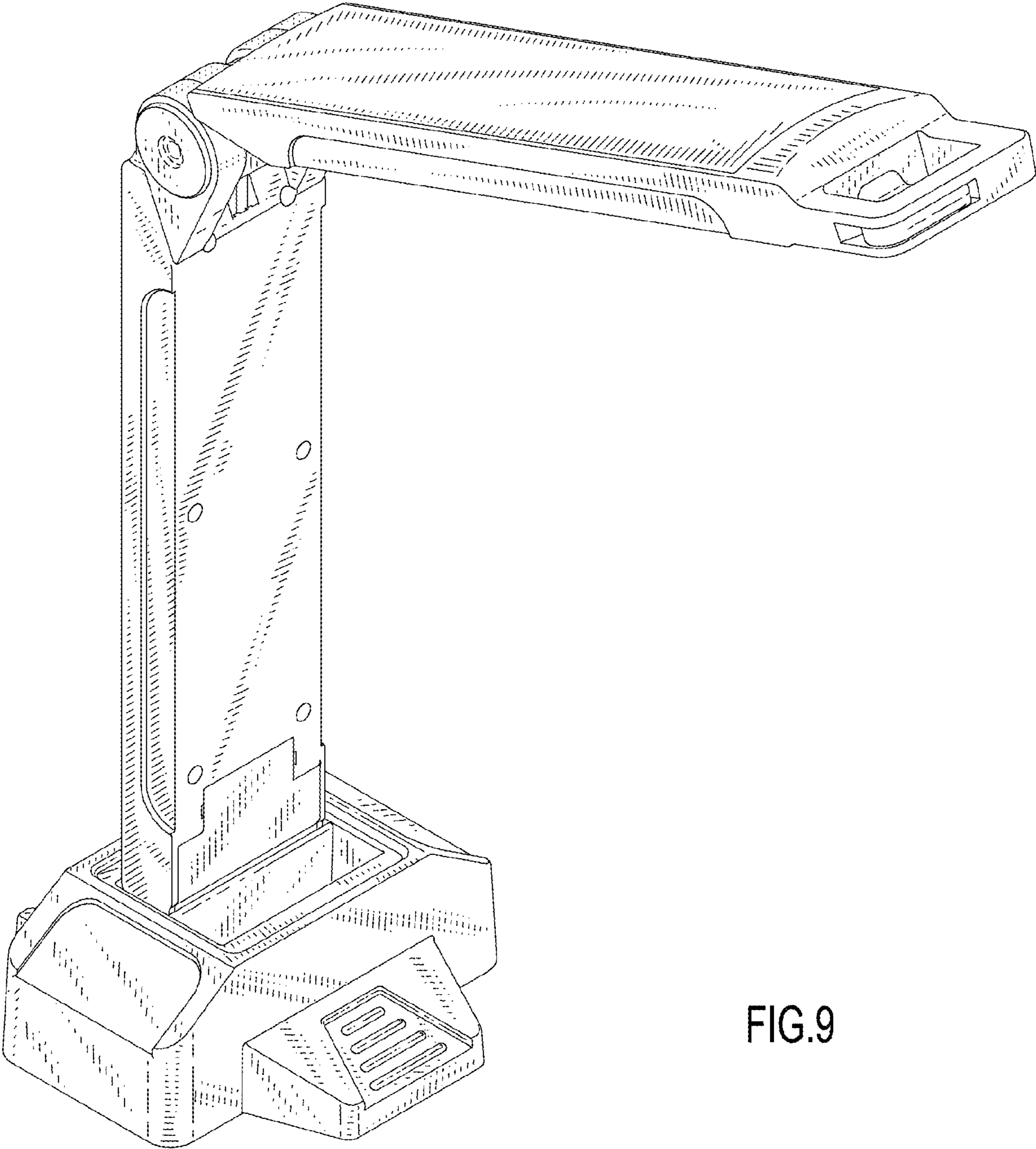


FIG.9

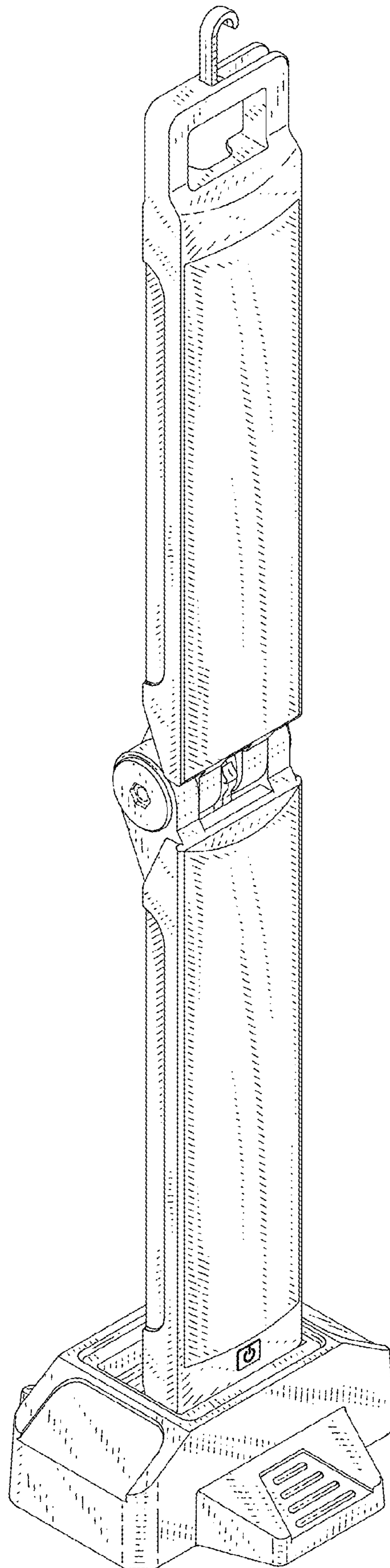


FIG.10