



US00D976462S

(12) **United States Design Patent** (10) **Patent No.:** **US D976,462 S**  
**Liu** (45) **Date of Patent:** **\*\* Jan. 24, 2023**

(54) **LAMP**

(71) Applicant: **Fuguang Liu**, Guangzhou (CN)

(72) Inventor: **Fuguang Liu**, Guangzhou (CN)

(\*\*) Term: **15 Years**

(21) Appl. No.: **29/790,140**

(22) Filed: **Nov. 8, 2021**

(51) **LOC (14) Cl.** ..... **26-02**

(52) **U.S. Cl.**

USPC ..... **D26/50**; D26/37; D26/39; D26/40

(58) **Field of Classification Search**

USPC ..... D26/37-52, 60, 61, 113, 138-140;  
D10/111, 114.9; D29/103

CPC . F21L 2003/00; F21L 4/00; F21L 4/04; F21L  
4/02; F21L 4/025; F21L 4/027; F21L  
4/05; F21L 4/08; F21L 2005/00; F21L  
13/00; F21L 13/04; F21L 13/08; F21L  
14/02; F21L 17/00; F21L 19/00; F21L  
25/00; A42B 3/044; F21V 21/084; H05B  
47/10; F21Y 2103/30

See application file for complete search history.

(56) **References Cited**

**U.S. PATENT DOCUMENTS**

3,947,676 A \* 3/1976 Battilana ..... F21V 21/084  
600/249  
D636,513 S \* 4/2011 Furtsch ..... D16/135  
D685,938 S \* 7/2013 Baker ..... D26/39  
D724,255 S \* 3/2015 Herbin ..... D26/139  
D742,049 S \* 10/2015 Baker ..... D26/39  
D809,686 S \* 2/2018 Royal ..... D26/39  
D894,467 S 8/2020 Xu  
D895,192 S 9/2020 Gong  
D918,460 S 5/2021 Yuan et al.  
D946,796 S \* 3/2022 Bilbao, Jr. .... D26/39  
D949,857 S \* 4/2022 Nishimura ..... D29/103  
D949,858 S \* 4/2022 Nishimura ..... D29/103  
D950,118 S \* 4/2022 Frydenger ..... D26/51

D954,318 S \* 6/2022 Baker ..... D26/37  
D955,627 S \* 6/2022 Wu ..... F21V 21/084  
D26/106  
D956,306 S \* 6/2022 Wang ..... D26/63  
2013/0223070 A1 \* 8/2013 Baker ..... A42B 3/044  
362/244

**FOREIGN PATENT DOCUMENTS**

CN 304947492 \* 12/2018 ..... F21L 4/04  
GB 8094808000-1000 \* 11/2016 ..... A42B 3/042  
JP 11329003 A \* 11/1999 ..... A42B 3/044

(Continued)

**OTHER PUBLICATIONS**

“Core77 Design Awards Winner Spotlight: HALO,” Aug. 1, 2014, core77.com, site visited Oct. 28, 2021, URL: <https://www.core77.com/posts/27370/Core77-Design-Awards-Winner-Spotlight-HALO-the-Hard-Hat-Accessory-Thats-Shining-Light-on-Construction-Site-Safety> (Year: 2014).\*

(Continued)

*Primary Examiner* — Christy Nemeth

*Assistant Examiner* — Sarah L Smith

(74) *Attorney, Agent, or Firm* — Rumit R. Kanakia

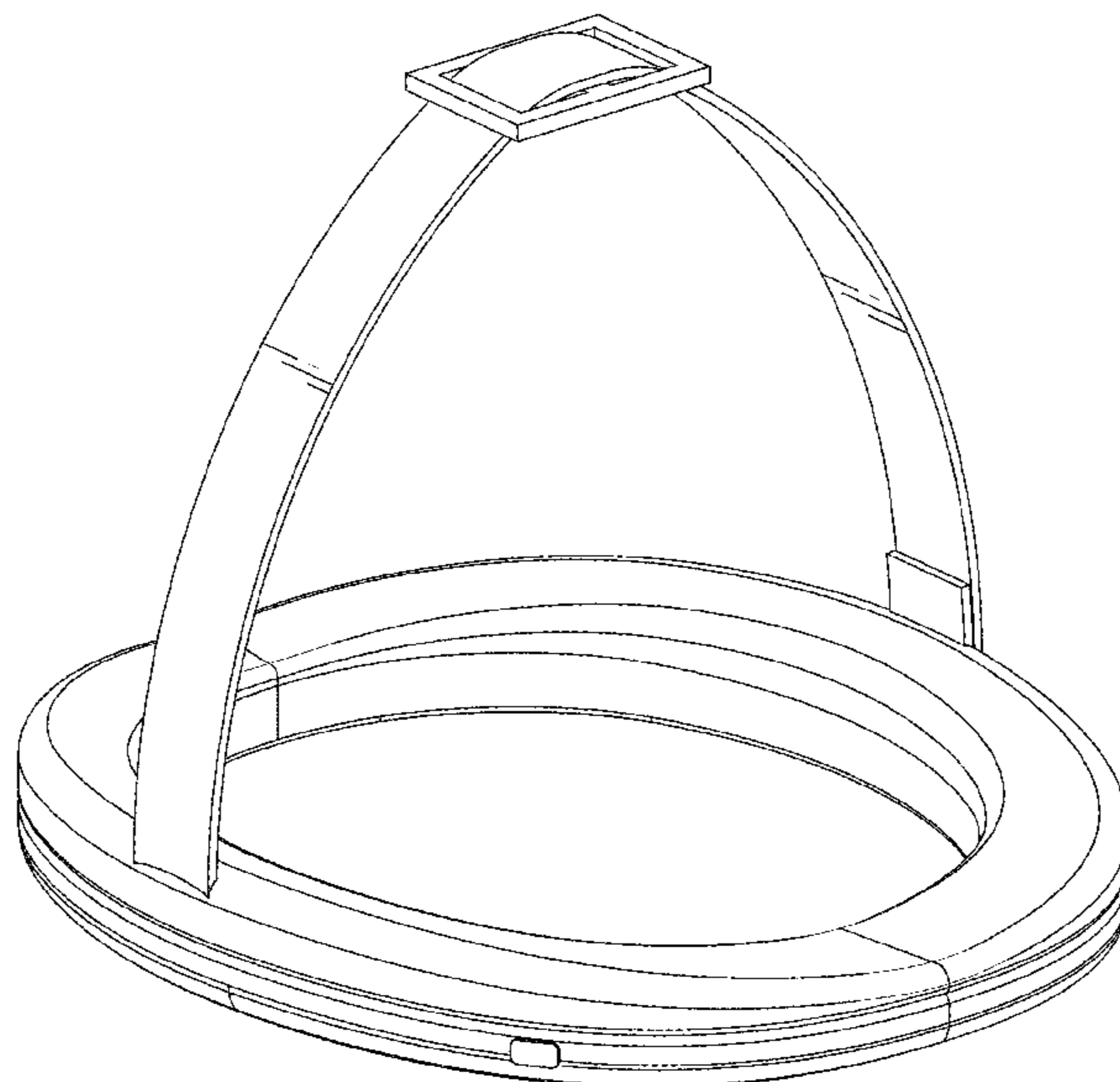
(57) **CLAIM**

The ornamental design for a lamp, as shown and described.

**DESCRIPTION**

FIG. 1 is a perspective view of a lamp showing my new design;  
FIG. 2 is a top view thereof;  
FIG. 3 is a left side view thereof;  
FIG. 4 is a front view thereof;  
FIG. 5 is a right side view thereof;  
FIG. 6 is a back view thereof; and,  
FIG. 7 is a bottom view thereof.

**1 Claim, 7 Drawing Sheets**



(56)

**References Cited**

FOREIGN PATENT DOCUMENTS

JP	2009013538	A	*	1/2009	.....	A42B 3/044
JP	2019153394	A	*	9/2019	.....	A42B 3/044
KR	300939849.0000		*	1/2018	.....	A42B 3/044
KR	2018010083	A	*	1/2018	.....	A42B 3/042
KR	2019060751	A	*	6/2019	.....	A42B 3/044
KR	2063218	B1	*	1/2020	.....	A42B 3/044
KR	2020038902	A	*	4/2020	.....	A42B 3/04
WO	WO-2010007785	A1	*	1/2010	.....	A61B 90/30
WO	WO-2019213716	A1	*	11/2019	.....	F21L 4/04

OTHER PUBLICATIONS

“Cardio Vision Product Catalogue,” Oct. 2021, cardiomedical.com, site visited Sep. 6, 2022, URL: [https://cardiomedical.de/wordpress/wp-content/uploads/2020/06/cardio\\_vision\\_produkte.pdf](https://cardiomedical.de/wordpress/wp-content/uploads/2020/06/cardio_vision_produkte.pdf) (Year: 2021).\*

\* cited by examiner

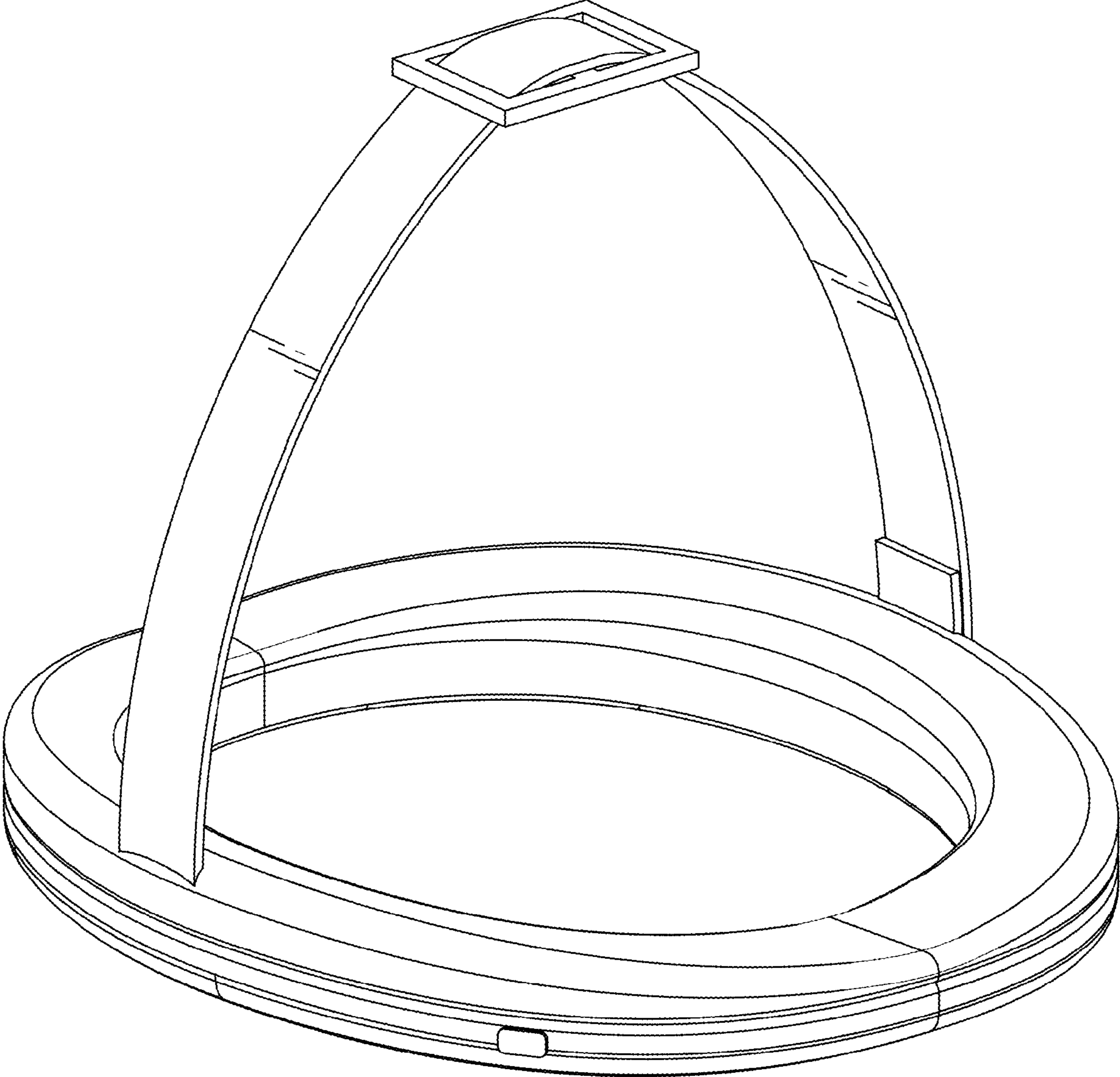


FIG.1

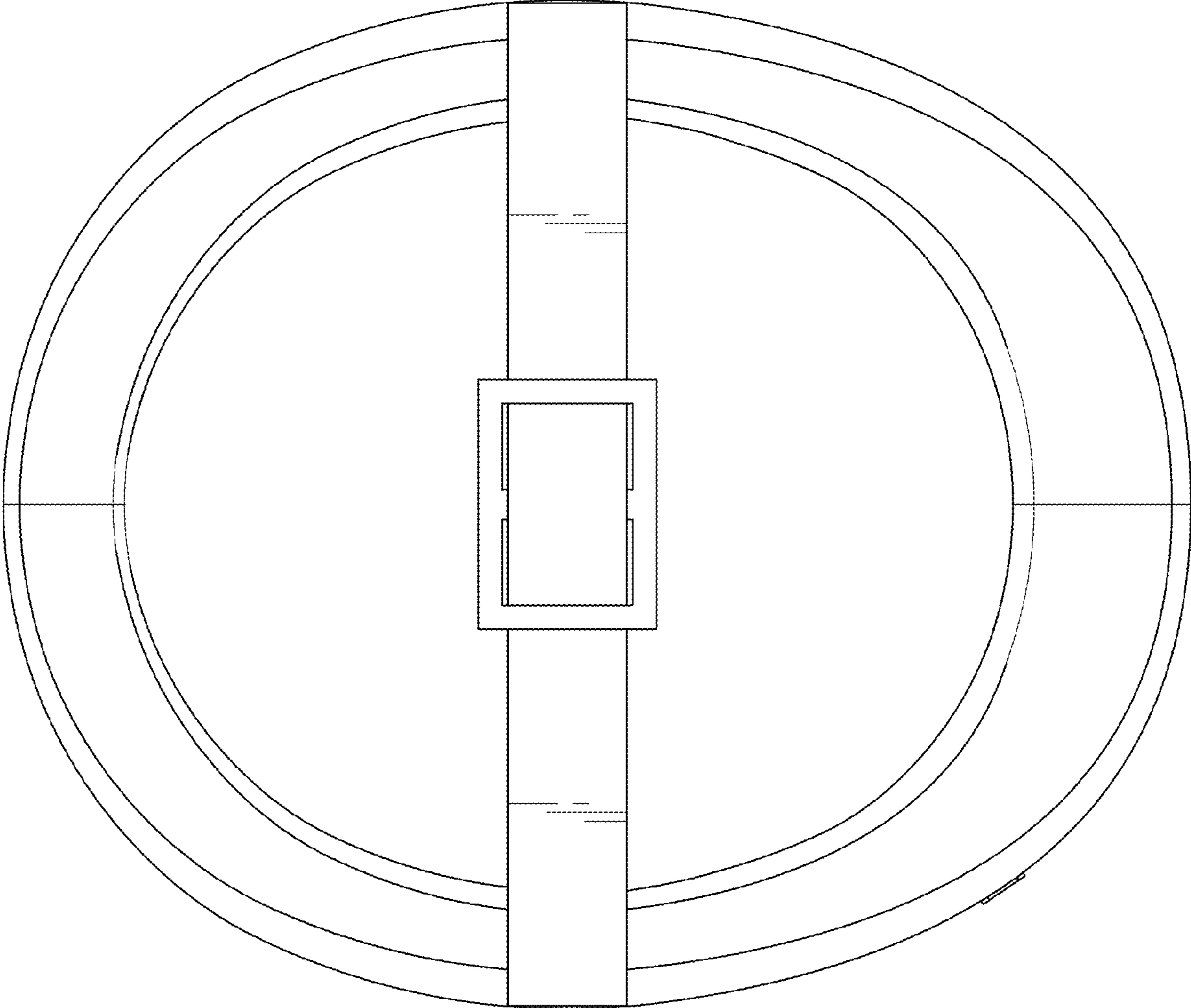


FIG.2

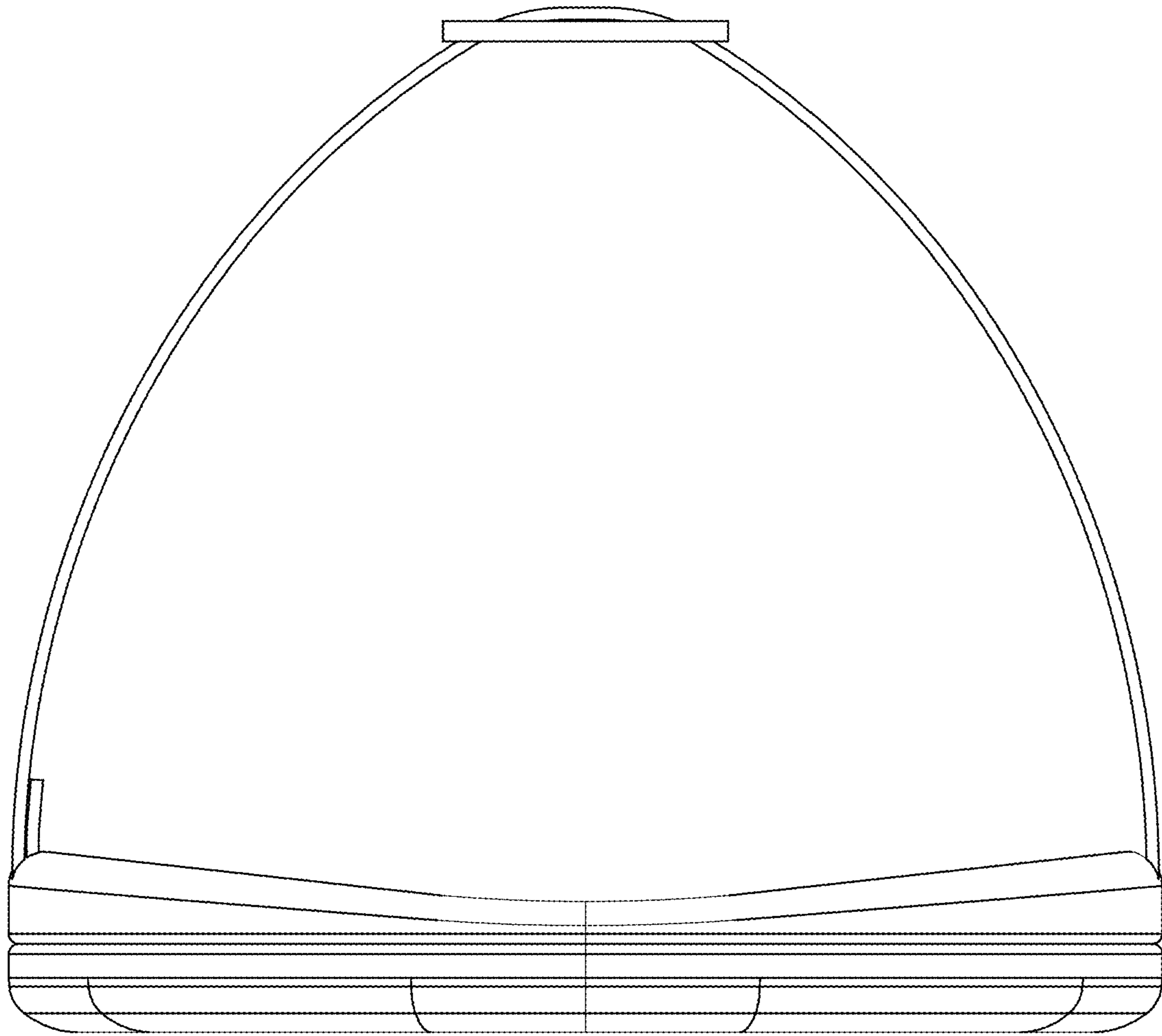


FIG.3

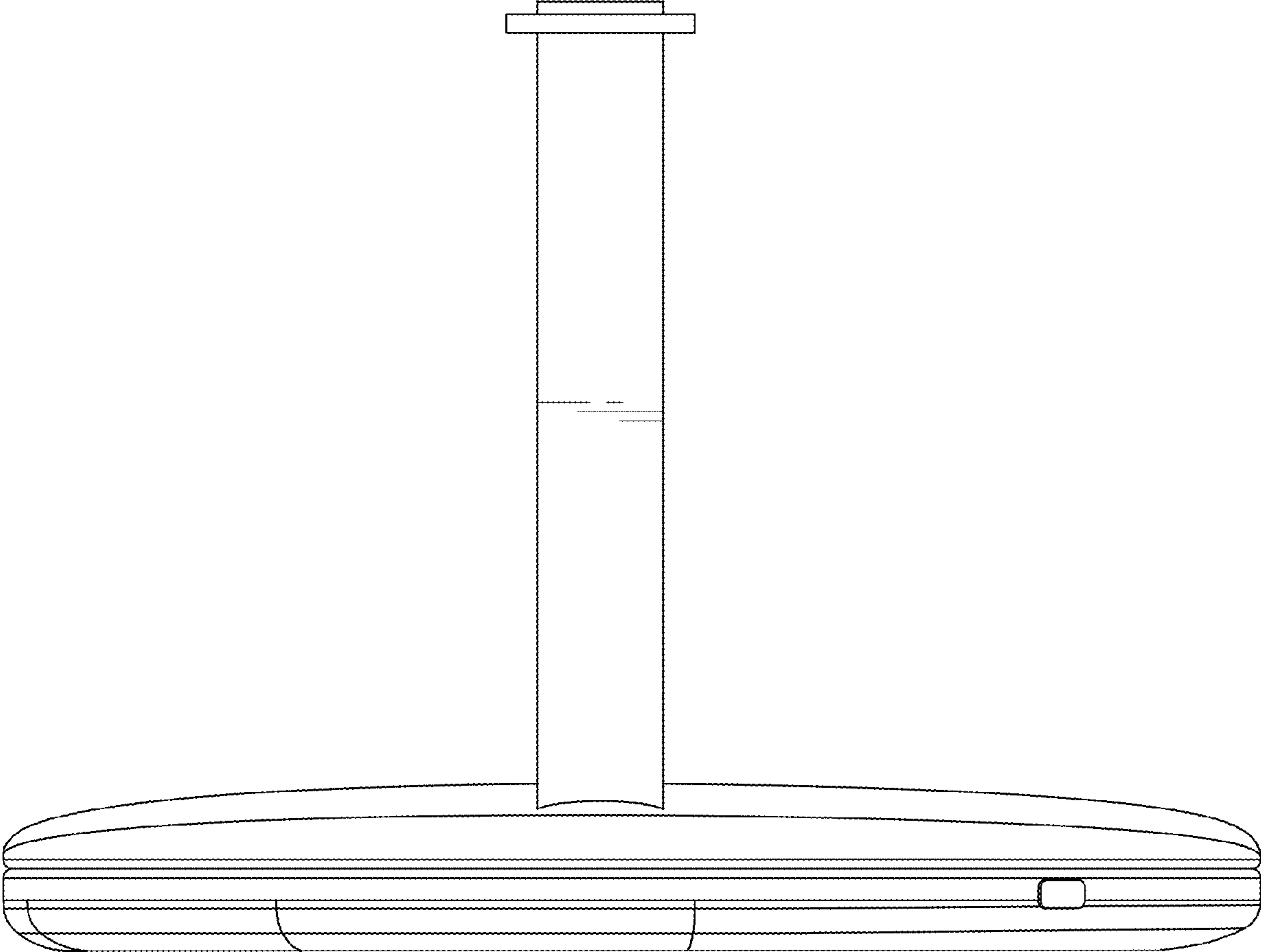


FIG.4

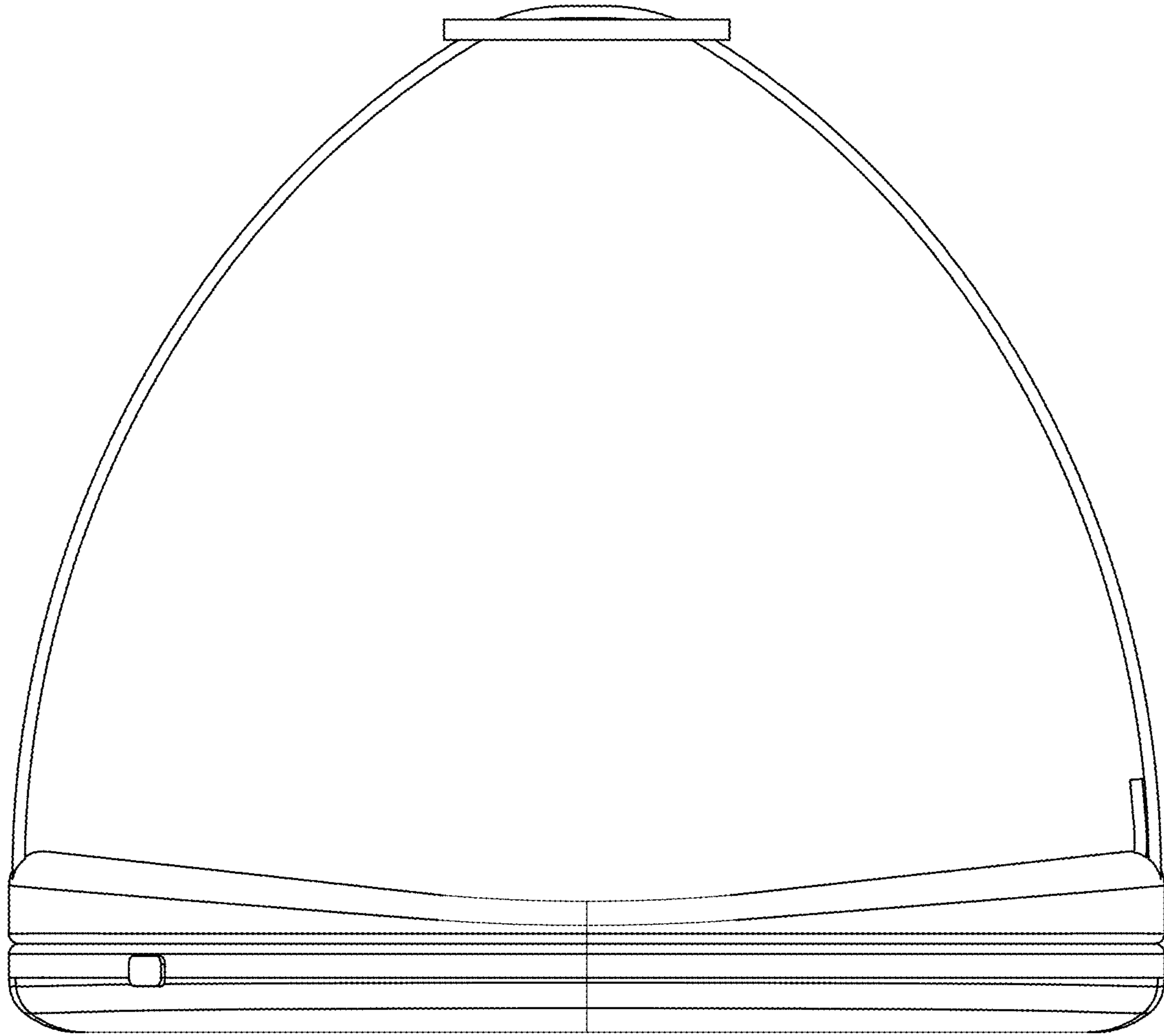


FIG.5

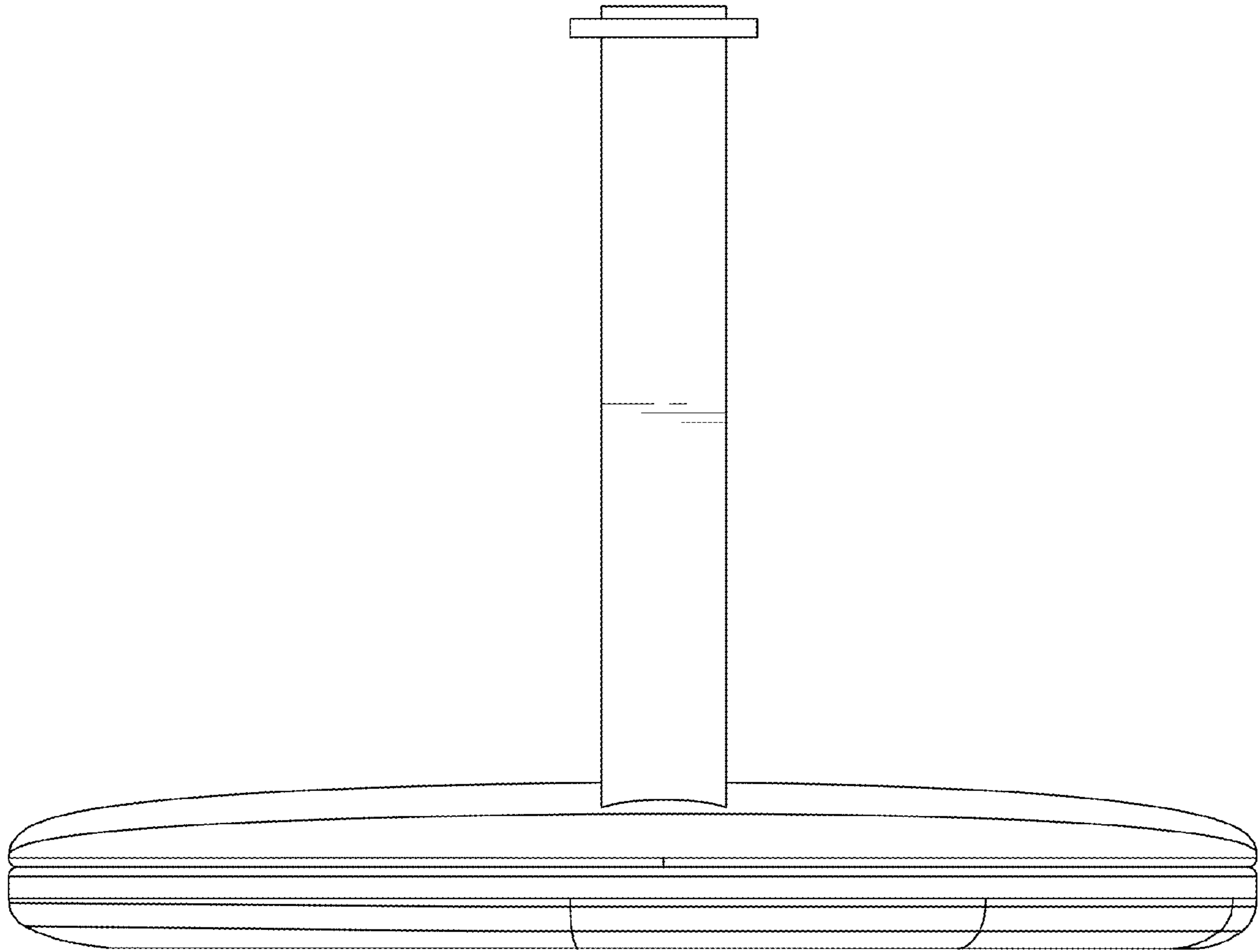


FIG. 6



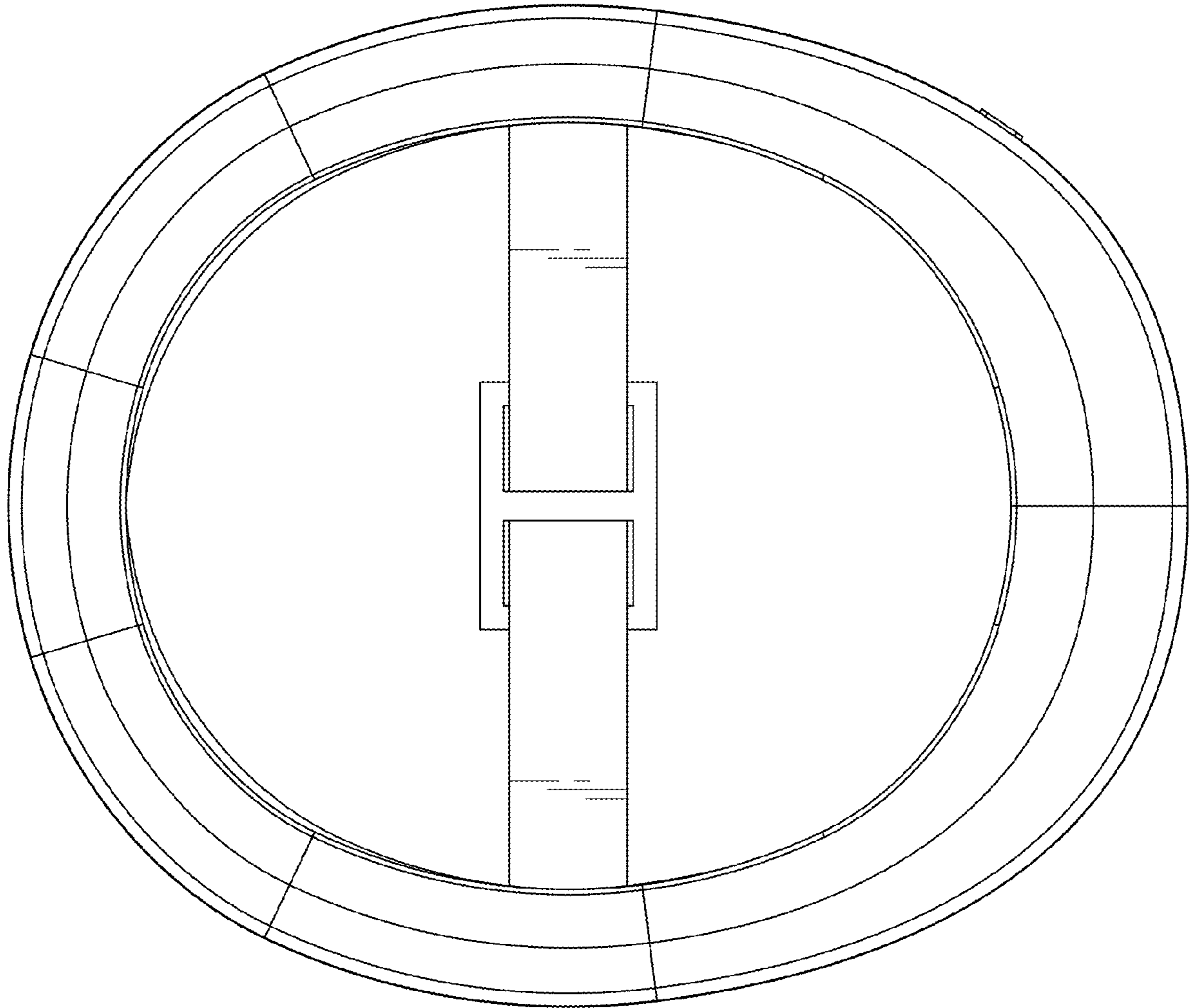


FIG.7