



US00D976461S

(12) **United States Design Patent**
Gan

(10) **Patent No.:** **US D976,461 S**

(45) **Date of Patent:** **** Jan. 24, 2023**

(54) **FLASHLIGHT**

D336,966 S 6/1993 Yau
D356,650 S 3/1995 Petterson et al.
D360,045 S 7/1995 Inukai
D375,375 S 11/1996 Poon

(Continued)

(71) Applicant: **Energizer Brands, LLC**, St. Louis,
MO (US)

(72) Inventor: **Maoguo Gan**, Hong Kong (CN)

FOREIGN PATENT DOCUMENTS

(73) Assignee: **ENERGIZER BRANDS, LLC**, St.
Louis, MO (US)

CN 302415703 4/2013
CN 303938127 11/2016

(Continued)

(**) Term: **15 Years**

OTHER PUBLICATIONS

(21) Appl. No.: **29/767,941**

(22) Filed: **Jan. 26, 2021**

Energizer Rechargeable Spotlight. By Energizer. Dated Aug. 5,
2021. Found online [Mar. 30, 2022]. [https://www.amazon.com/
ENERGIZER-Rechargeable-Spotlight-Powerful-Resistant/dp/
B09BZZ7XHL](https://www.amazon.com/ENERGIZER-Rechargeable-Spotlight-Powerful-Resistant/dp/B09BZZ7XHL) (Year: 2021).*

(Continued)

(51) **LOC (14) Cl.** **26-02**

(52) **U.S. Cl.**
USPC **D26/49**

(58) **Field of Classification Search**
USPC D26/24, 37-52, 113, 138
CPC F21Y 2115/10; F21Y 2101/00; F21Y
2113/13; F21Y 2113/17; F21Y 2103/10;
F21V 23/0414; F21V 15/01; F21V
21/0885; F21V 14/045; F21V 14/025;
F21V 21/145; F21V 21/406; F21V 19/02;
F21V 21/0965; F21V 5/006; F21V 21/08;
F21V 21/30; F21V 14/065; F21V
33/0064; F21V 23/0407; F21V 5/04;
F21V 7/0075; F21V 9/083; F21V 13/045;
F21V 33/0004; F21V 19/006; F21V
17/04; F21L 4/005; F21L 4/027; F21L
4/00; F21L 4/085; F21L 4/045; F21L
2001/00

See application file for complete search history.

Primary Examiner — Marissa J Cash
Assistant Examiner — William B Melliar
(74) *Attorney, Agent, or Firm* — Alston & Bird LLP

(57) **CLAIM**

The ornamental design for a flashlight, as shown and
described.

DESCRIPTION

FIG. 1 is a top front perspective view of a flashlight
according to the present design.

FIG. 2 is a bottom rear perspective view of the flashlight of
FIG. 1.

FIG. 3 is a bottom view the flashlight of FIG. 1.

FIG. 4 is a top view of the flashlight of FIG. 1.

FIG. 5 is a left side view of the flashlight of FIG. 1.

FIG. 6 is a right side view of the flashlight of FIG. 1.

FIG. 7 is a front view of the flashlight of FIG. 1; and,

FIG. 8 is a back view of the flashlight of FIG. 1.

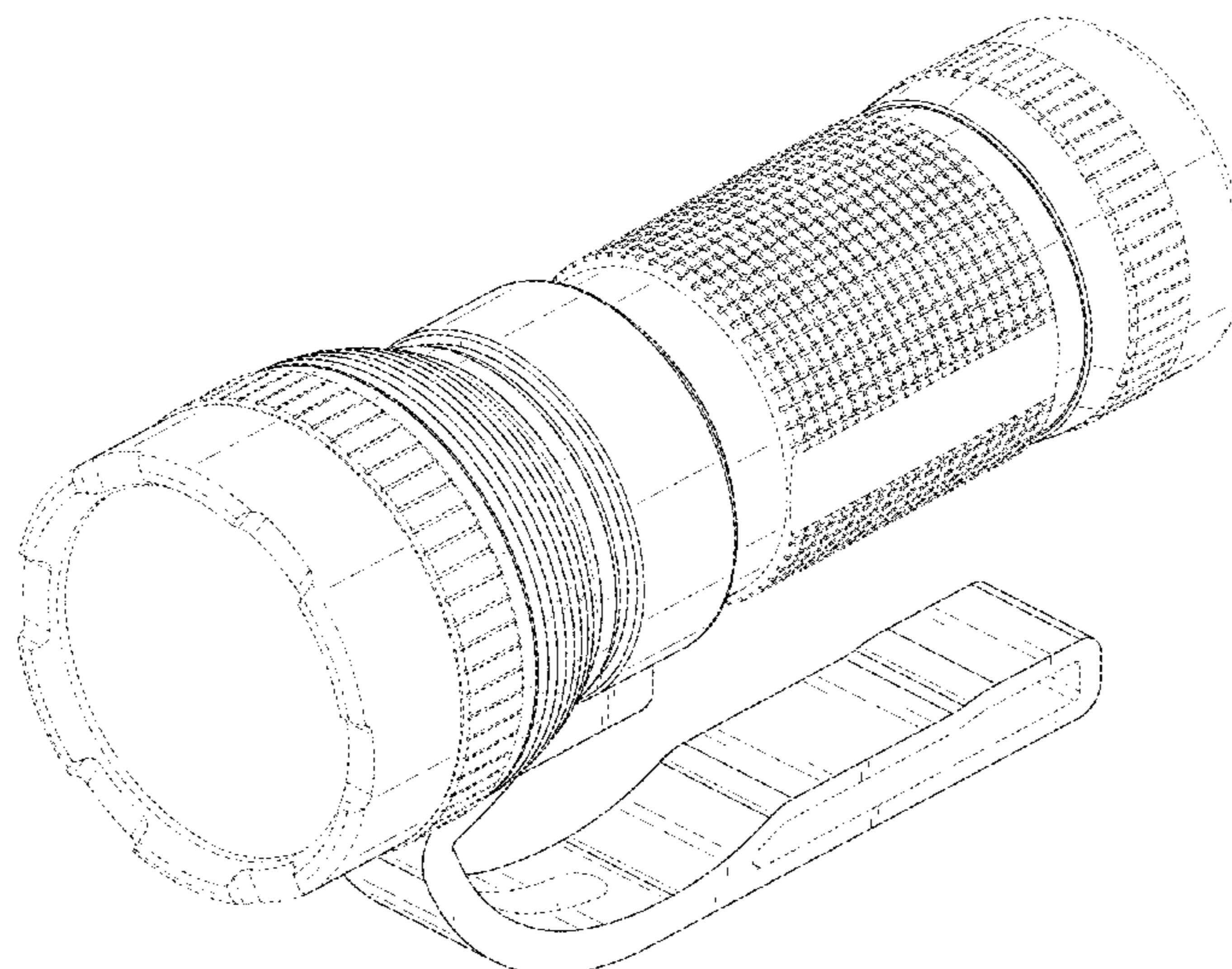
The broken lines in the Figures depict portions of the
flashlight that form no part of the claimed design.

(56) **References Cited**

U.S. PATENT DOCUMENTS

2,855,499 A 10/1958 Lewis
3,737,650 A 6/1973 Kaye et al.
D291,838 S 9/1987 Tung
4,803,605 A 2/1989 Schaller et al.
D315,608 S 3/1991 Petterson et al.

1 Claim, 7 Drawing Sheets



(56)

References Cited

U.S. PATENT DOCUMENTS

- | | | | |
|--------------|-----------|---------------------|--------|
| D394,322 S | 5/1998 | Dalton et al. | |
| D395,719 S | * 6/1998 | Concari | D26/37 |
| D403,454 S | 12/1998 | Zelina, Jr. et al. | |
| D421,145 S | 2/2000 | Man | |
| D428,173 S | * 7/2000 | Lynch | D26/42 |
| D445,934 S | 7/2001 | Dalton et al. | |
| D447,259 S | 8/2001 | Lynch et al. | |
| D448,876 S | 10/2001 | Osiecki et al. | |
| D448,878 S | 10/2001 | Dalton et al. | |
| D449,395 S | 10/2001 | Dalton et al. | |
| D449,703 S | 10/2001 | Dalton et al. | |
| D452,024 S | 12/2001 | Sharrah | |
| D452,025 S | 12/2001 | Poon | |
| D455,513 S | 4/2002 | Galli | |
| D465,865 S | 11/2002 | Hamilton et al. | |
| D467,375 S | 12/2002 | Lynch et al. | |
| D468,850 S | * 1/2003 | Sharrah | D26/37 |
| D476,104 S | 6/2003 | Dalton et al. | |
| D480,824 S | 10/2003 | Englert et al. | |
| D480,825 S | 10/2003 | Englert et al. | |
| D480,826 S | 10/2003 | Englert et al. | |
| D483,136 S | * 12/2003 | Poon | D26/37 |
| D483,784 S | 12/2003 | Ting | |
| D486,257 S | 2/2004 | Kingston et al. | |
| D487,810 S | 3/2004 | Kingston et al. | |
| D492,807 S | 7/2004 | Dalton et al. | |
| D493,904 S | 8/2004 | Dalton et al. | |
| D494,299 S | 8/2004 | Dalton et al. | |
| D494,694 S | 8/2004 | Krieger et al. | |
| D496,116 S | 9/2004 | Abernethy et al. | |
| D496,482 S | 9/2004 | Osiecki et al. | |
| D497,446 S | 10/2004 | Kingston et al. | |
| D499,499 S | 12/2004 | Cetera | |
| D501,056 S | 1/2005 | Dalton et al. | |
| D502,278 S | 2/2005 | Dalton et al. | |
| D502,564 S | 3/2005 | Dalton et al. | |
| D503,991 S | 4/2005 | Dalton et al. | |
| D504,534 S | 4/2005 | Osiecki et al. | |
| D504,737 S | 5/2005 | Osiecki et al. | |
| D504,740 S | 5/2005 | Dalton et al. | |
| D504,966 S | 5/2005 | Osiecki et al. | |
| D504,970 S | 5/2005 | Dalton et al. | |
| D507,064 S | 7/2005 | Osiecki et al. | |
| D507,364 S | 7/2005 | Lo | |
| D514,721 S | 2/2006 | Osiecki et al. | |
| D518,216 S | 3/2006 | Rugendyke et al. | |
| D518,217 S | 3/2006 | Rugendyke et al. | |
| D520,161 S | 5/2006 | Krieger et al. | |
| D521,166 S | 5/2006 | Yamamoto et al. | |
| D521,666 S | 5/2006 | Chean | |
| 7,070,297 B1 | 7/2006 | Muhlnickel, Jr. | |
| D531,337 S | 10/2006 | Dalton et al. | |
| D531,747 S | 11/2006 | Brown | |
| D536,117 S | 1/2007 | Krieger et al. | |
| D536,464 S | 2/2007 | Kingston et al. | |
| D544,118 S | 6/2007 | Osiecki et al. | |
| D549,373 S | 8/2007 | Osiecki et al. | |
| D549,377 S | 8/2007 | Osiecki et al. | |
| D552,279 S | 10/2007 | Osiecki et al. | |
| D552,280 S | 10/2007 | Osiecki et al. | |
| D552,776 S | 10/2007 | Osiecki et al. | |
| D553,281 S | 10/2007 | Rugendyke et al. | |
| D553,283 S | 10/2007 | Rugendyke et al. | |
| D554,786 S | 11/2007 | Rugendyke et al. | |
| D557,840 S | 12/2007 | Shiu | |
| D560,297 S | 1/2008 | Brown et al. | |
| D562,480 S | 2/2008 | Spartano et al. | |
| D574,529 S | 8/2008 | Squires et al. | |
| D577,140 S | 9/2008 | Brown et al. | |
| D578,687 S | 10/2008 | Hong | |
| D579,135 S | 10/2008 | Shiu | |
| D582,915 S | 12/2008 | Leung | |
| D589,635 S | 3/2009 | Rugendyke et al. | |
| D596,772 S | 7/2009 | Chang | |
| D598,151 S | 8/2009 | McGraw | |
| D603,990 S | 11/2009 | Brown et al. | |
| D605,795 S | 12/2009 | Baker et al. | |
| D617,023 S | 6/2010 | Rugendyke et al. | |
| D620,161 S | 7/2010 | Kang et al. | |
| D622,428 S | 8/2010 | Crawford et al. | |
| D625,448 S | 10/2010 | Brown et al. | |
| D628,727 S | 12/2010 | Risch et al. | |
| D629,941 S | 12/2010 | Robinson et al. | |
| D630,783 S | 1/2011 | Baker et al. | |
| D637,747 S | 5/2011 | Hesse et al. | |
| D641,510 S | 7/2011 | Wang | |
| D649,275 S | 11/2011 | Crawford et al. | |
| D658,322 S | 4/2012 | Wu | |
| D659,270 S | 5/2012 | Nguyen et al. | |
| D661,734 S | 6/2012 | Johnson | |
| D675,764 S | 2/2013 | Boutet et al. | |
| D676,170 S | 2/2013 | Feng et al. | |
| D676,993 S | 2/2013 | Kotsis et al. | |
| 8,382,312 B2 | 2/2013 | Crawford et al. | |
| D681,858 S | 5/2013 | Sharrah et al. | |
| D685,939 S | 7/2013 | Cooper | |
| D687,995 S | 8/2013 | Yeh | |
| D688,401 S | 8/2013 | Kung | |
| D689,229 S | 9/2013 | Yeh | |
| D689,230 S | 9/2013 | Yeh | |
| D690,448 S | 9/2013 | Yeh | |
| D706,476 S | 6/2014 | Lee | |
| D707,869 S | 6/2014 | Wu | |
| 8,783,908 B2 | 7/2014 | Gross et al. | |
| D710,526 S | 8/2014 | Lee | |
| D716,983 S | 11/2014 | Ma | |
| D728,139 S | 4/2015 | Wang | |
| D739,060 S | 9/2015 | Chouprinov et al. | |
| D742,570 S | 11/2015 | Brown et al. | |
| D743,075 S | 11/2015 | Keaton | |
| D744,136 S | 11/2015 | Osiecki et al. | |
| D747,020 S | 1/2016 | Chouprinov et al. | |
| D752,793 S | 3/2016 | Ng | |
| D757,850 S | 5/2016 | Zhang | |
| D765,899 S | 9/2016 | Hine et al. | |
| D767,184 S | 9/2016 | Fitch et al. | |
| D767,187 S | 9/2016 | Hine | |
| D770,071 S | 10/2016 | Windom et al. | |
| D772,456 S | 11/2016 | Bertken | |
| D774,230 S | 12/2016 | Prieto et al. | |
| D785,841 S | 5/2017 | Brown et al. | |
| D785,940 S | 5/2017 | Reed | |
| D788,965 S | 6/2017 | Roshak et al. | |
| D797,335 S | 9/2017 | Brown et al. | |
| D798,482 S | 9/2017 | O'Doherty et al. | |
| D799,087 S | 10/2017 | Koshiba | |
| D806,295 S | 12/2017 | Kang et al. | |
| 9,845,938 B1 | 12/2017 | Kaye et al. | |
| D810,978 S | 2/2018 | Windom | |
| D811,636 S | 2/2018 | Galli et al. | |
| D814,088 S | 3/2018 | Cao | |
| 9,933,146 B2 | 4/2018 | Maglica et al. | |
| D817,528 S | 5/2018 | Wu | |
| D818,621 S | 5/2018 | Kunzendorf | |
| D822,864 S | 7/2018 | Windom | |
| D826,439 S | 8/2018 | Ma | |
| D833,661 S | 11/2018 | Ma | |
| D837,428 S | 1/2019 | Arena | |
| D840,854 S | 2/2019 | Shi et al. | |
| D844,204 S | 3/2019 | Ma | |
| D844,874 S | 4/2019 | Eichelberger et al. | |
| D846,783 S | 4/2019 | Eichelberger | |
| D849,979 S | 5/2019 | Lehovetzki | |
| D851,310 S | 6/2019 | Windom et al. | |
| D851,797 S | 6/2019 | Sharrah | |
| D855,850 S | 8/2019 | Brown | |
| D855,851 S | 8/2019 | Kotsis et al. | |
| D858,831 S | 9/2019 | Proeber | |
| D866,030 S | 11/2019 | Bao | |
| D866,031 S | * 11/2019 | Muyshondt | D26/49 |
| D866,830 S | 11/2019 | Pan et al. | |
| D871,639 S | 12/2019 | Prieto | |
| D882,840 S | 4/2020 | Liu | |
| D883,546 S | 5/2020 | Li | |

(56)

References Cited

U.S. PATENT DOCUMENTS

D891,663	S	7/2020	Weizel	
D894,456	S *	8/2020	Luo	D26/49
D895,183	S	9/2020	Qiu	
D895,868	S	9/2020	Christensen	
D895,869	S	9/2020	Qiu	
D897,578	S	9/2020	Le	
D897,579	S	9/2020	Le	
D905,885	S *	12/2020	Kotsis	D26/49
D906,560	S	12/2020	Liu	
D907,826	S	1/2021	Christensen	
D914,938	S	3/2021	Qiu	
D916,341	S	4/2021	Christensen	
D917,753	S	4/2021	Guo et al.	
D933,868	S	10/2021	Zhao	
D935,654	S	11/2021	Kotsis et al.	
D945,035	S *	3/2022	Zeng	D26/46
2004/0012955	A1	1/2004	Hsieh	
2004/0095759	A1	5/2004	Koch et al.	
2006/0274520	A1	12/2006	Dalton et al.	
2008/0304258	A1	12/2008	McMillan et al.	
2009/0147506	A1	6/2009	Robinson	
2010/0046211	A1	2/2010	Spartano et al.	
2010/0090613	A1	4/2010	Spartano	
2015/0267882	A1	9/2015	O'Brien	
2016/0381755	A1	12/2016	Qiu	
2019/0170337	A1 *	6/2019	Schlafer	F21L 4/08
2020/0018449	A1	1/2020	Christensen	
2020/0400302	A1 *	12/2020	Zhu	F21V 29/767

FOREIGN PATENT DOCUMENTS

CN	304718569	7/2018
CN	304830674	* 9/2018
CN	305190490	5/2019
CN	305246246	7/2019
CN	305318325	8/2019
CN	305525587	12/2019
CN	306364372	3/2021
CN	306780377	8/2021
EM	001176739-0001	11/2009
EM	002536789-0001	9/2014
EM	006496618-0001	5/2019
GB	5000659	11/2015
JP	D1424946	9/2011
KR	301066130.0000	* 7/2020
WO	WO 2004/083714	A1 9/2004

OTHER PUBLICATIONS

Energizer LED Tactical Flashlight. By Energizer. Dated Dec. 19, 2019. Found online [Mar. 30, 2022]. <https://www.amazon.com/Energizer-Flashlight-Resistant-Emergency-Batteries/dp/B082XXR78Z> (Year: 2019).*

“Coast HP1 190 Lumen Pure Beam Focusing LED Flashlight,” Feb. 12, 2014, amazon.com, retrieved on Jun. 3, 2021, URL: https://www.amazon.com/COAST-Lumen-Pure-Focusing-Flashlight/dp/B001EMUOWU/ref=sr_1_136?crd=2IX2UPMAO4DEF&dchild=1&keywords=surefire+flashlights&qid=1622772444&sprefix=surefire%2Caps%2C173&sr=8-136 (Year: 2014).

“Energizer LED Tactical Metal Flashlight,” Apr. 4, 2019, amazon.com, retrieved on Jun. 4, 2021, URL: <https://www.amazon.com/Energizer-Tactical-Flashlight-Aircraft-Grade-Water-Resistant/dp/B07QD4X194> (Year: 2019).

“Streamlight 88065 Pro Tac,” Feb. 11, 2017, amazon.com, retrieved on Jun. 3, 2021, URL: <https://www.amazon.com/Streamlight-88065-Professional-Flashlight-Rechargeable/dp/B06VTLLC13/> (Year: 2017).

amazon.com, “Eveready LED Economy 1D Size Flashlight with Battery (2 Pack),” 8 pages, [retrieved from the Internet Feb. 1, 2021] <URL: <https://www.amazon.com/Eveready-Economy-Size-Flashlight-Battery/dp/B004PZPB2I>>.

amazon.com: Energizer LED Pen Light. Date uploaded: Jan. 13, 2020 [site visited Sep. 24, 2020]. Retrieved from internet: <<https://www.annazon.com/dp/B083T6C7DK?tag=price17305-20&ascsubtag=wtbs5f6cda009bcel145cf8b6287b>> (Year: 2020).

doitbest.com, “Energizer 400 Lm. LED 2AA Flashlight”, 3 pages [retrieved from the Internet Sep. 24, 2020] <URL: <https://www.doitbest.com/shop/electrical/batteries-and-flashlights/flashlights-and-lanterns/led-flashlight/energizer-400-Inn-led-2aa-flashlight?SKU=802040>>.

ebay.com: Energizer LED Pen Light, Aircraft-Grade Aluminum Body. Undated online product page. Retrieved on Sep. 24, 2020 from <<https://www.ebay.com/i/124250146708?chn-ps&norover=1&nnkevt-1&nnkrid=711-117182-37290-0&nnkcid=2&itennid=124250146708&targetid=935694488066&device=...>> (Year: 2020).

Energizer Hard Case Professional Light, [online], [site visited Nov. 13, 2020], [Available from Internet], URL: <https://www.annazon.com/Energizer-Hard-Case-Professional-Light/dp/B000R8J8CQ?ref=aststo_dp&th=1&psc=1> 5 pages (Year: 2007).

energizer.com: Performance Metal Inspection Light. Undated online product page. Retrieved on Sep. 24, 2020 from <<https://www.energizer.com/flashlights-lighting/energizer-performance-metal-inspection-light>> (Year: 2020).

gadgetworld2u.com, “Energizer TAC 1000 6AA Wool Tactical LED Flashlight PMHT61”, 8 pages, [retrieved from the Internet Feb. 1, 2021] <URL: <https://www.gadgetworld2u.com/energizer-tac-1000-6aa-10001-led-flashlight-pmht61>>.

manualzz.com, “Energizer Product Sheet, LED Grip-It (2AA) GPHH21”, 2 pages, [retrieved from the Internet Feb. 1, 2021], <URL: <https://manualzz.com/doc/31285241/led-grip-it--2aa---energie-distribution>>.

suntos.com.my, “Eveready One Led Light GPHH25 Included 2x D Batteries”, 15 pages, [retrieved from the Internet Feb. 1, 2021], <URL: <http://suntos.com.my/v1/product/eveready-one-led-light-gphh25-included-2-x-d-batteries/?v=7516fd43adaa>>.

Energizer T1000 LED Tactical Flashlights, Bright 1000 High Lumens, Heavy Duty Water Resistant Flashlight for Emergency, Survival Kit, Camping Gear, Choose AA Battery or USB Rechargeable, [Amazon.com, online shopping], Jul. 26, 2021, [retrieved Dec. 27, 2021], retrieved from the Internet <URL: https://www.amazon.com/Energizer-Flashlight-Accessories-Ultra-Durable-Flashlights/dp/B07RX1W7W7/ref=sr_1_9?keywords=energizer%2Bflashlights&qid=1637739592&sr=8-9&th=1> (10 pages).

Energizer Eveready DLAH41 Dolphin 2-in-1 Emergency Light, [Self Fix DIY, online shopping], [retrieved Jan. 11, 2022], retrieved from the Internet <URL: <https://selffix.com/product/energizer-eveready-dlah41-dolphin-2-in-1-emergency-light/>> (8 pages).

“Energizer Rubber LED Flashlight,” Jun. 26, 2012, amazon.com, site visited Jul. 29, 2021, URL: https://www.amazon.com/Energizer-2AA-Rubber-Flashlight-Black/dp/B003USM3AE/ref=sr_1_56?dchild=1&keywords=energizer%2Bflashlight&qid=1627591447&sr=8-56&th=1 (Year: 2012).

Energizer TAC 1000 LED Flashlight. By Energizer. Dated Apr. 11, 2020. Found online [Feb. 1, 2022]. <https://www.homedepot.com/p/Energizer-Energizer-TAC-1000-LED-Flashlight-1000-Lumens-ENPMHT61/311802761#overlay> (Year: 2020).

LED Tactical Flashlight. By Eveready. Dated Apr. 16, 2021. Found online [Jan. 13, 2022]. <https://www.amazon.com/Eveready-Rechargeable-Flashlight-Aluminum-Resistant/dp/B092RKW6G7> (Year: 2021).

Morpilot Rechargeable LED Flashlight. By morpilot. Dated Apr. 2, 2021. Found online [Jan. 13, 2022]. <https://www.amazon.com/morpilot-Rechargeable-Flashlights-Flashlight-Ennergencies/dp/B091LLDSDK> (Year: 2021).

Olight Seeker 3 Pro 4200 Lumens Ultra Bright Floodlight Flashlight. By Olight. Dated Oct. 11, 2021. Found online [Jan. 13, 2022]. <https://www.amazon.com/dp/B09FJM4LDP?> (Year: 2021).

Rechargeable Flashlight. By Karrong. Dated May 18, 2019. Found online [Jan. 13, 2022]. <https://www.amazon.com/dp/B07RZCP692/?tag=ghtrx25-20&th=1> (Year: 2019).

“Dorcy 4 LED Carabineer Waterproof Flashlight,” Nov. 17, 2016, kmart.com, site visited Jun. 24, 2021, URL: <https://www.kmart.com>.

(56)

References Cited

OTHER PUBLICATIONS

com/dorcy-4-led-carabineer-waterproof-flashlight/p-03493785000P (Year: 2016), 8 pages.
“Energizer TouchTech Fashlight,” Apr. 14, 2017, youtube.com, site visited Jun. 24, 2021, URL: <https://www.youtube.com/watch?v=o9LlBh18Di8> (Year: 2017), 1 page.
“Lumen Penlight,” Jun. 8, 2018 (review), amsterdamprinting.com, site visited Jul. 14, 2021, URL: <https://www.amsterdamprinting.com/p/lumen-penlight?id=43984#pdreviews> (Year: 2018), 6 pages.
“Stylus Pen,” Aug. 23, 2017, amazon.com, site visited Jul. 14, 2021, URL: https://www.amazon.com/Multi-Function-Capacitive-Touchscreen-Flashlight-Multi-Color/dp/B07534MVYZ/ref=sr_1_44?dchild=1&keywords=ergonomic+pen+light&qid=1626350304&sr=8-44 (Year: 2017), 5 pages.
“White Light Tip Pen,” Nov. 13, 2014, amazon.com, site visited Jul. 14, 2021, URL: <https://www.amazon.com/White-Light-Tip-Pen-LED/dp/B006IWU48W> (Year: 2014), 3 pages.

* cited by examiner

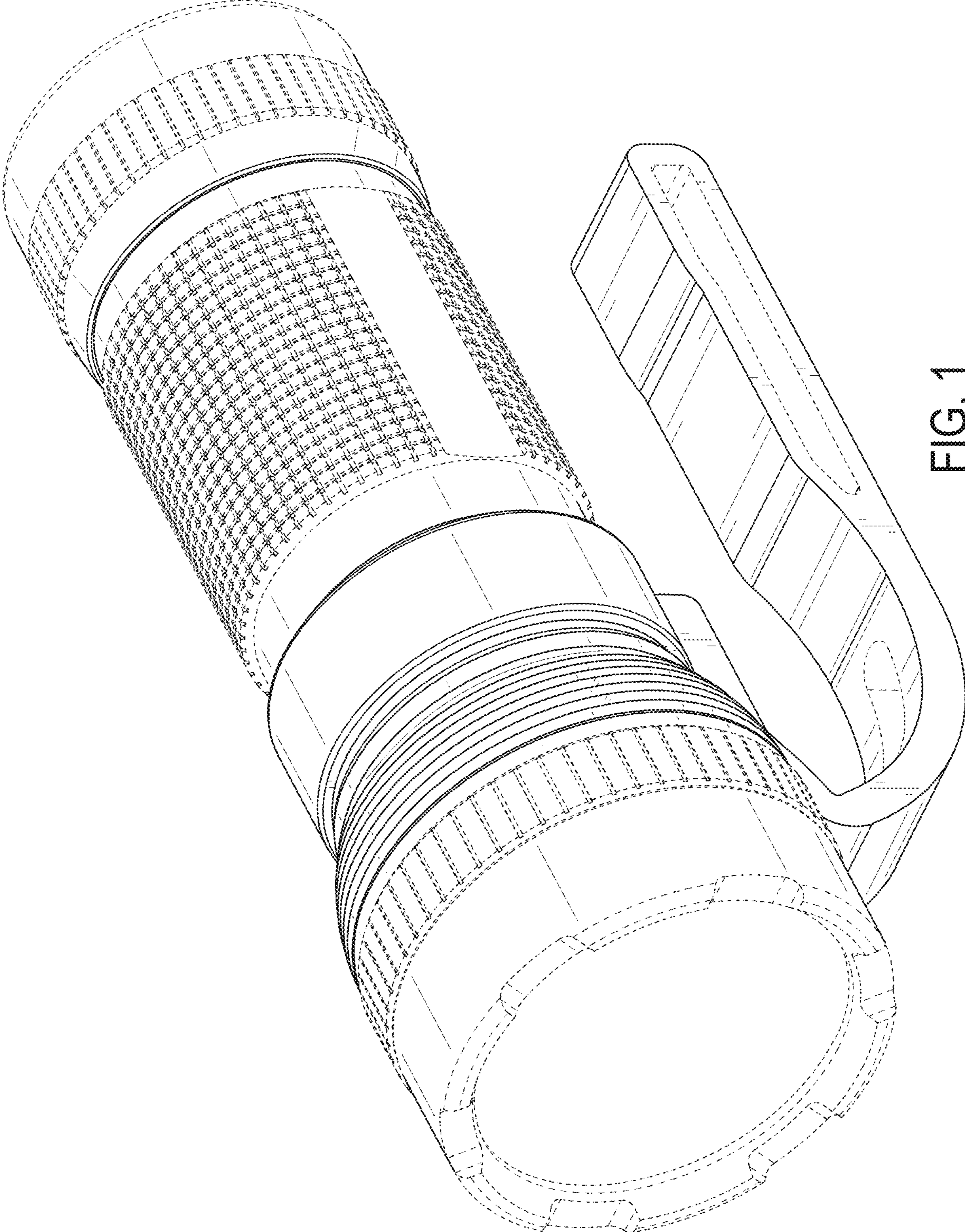


FIG. 1

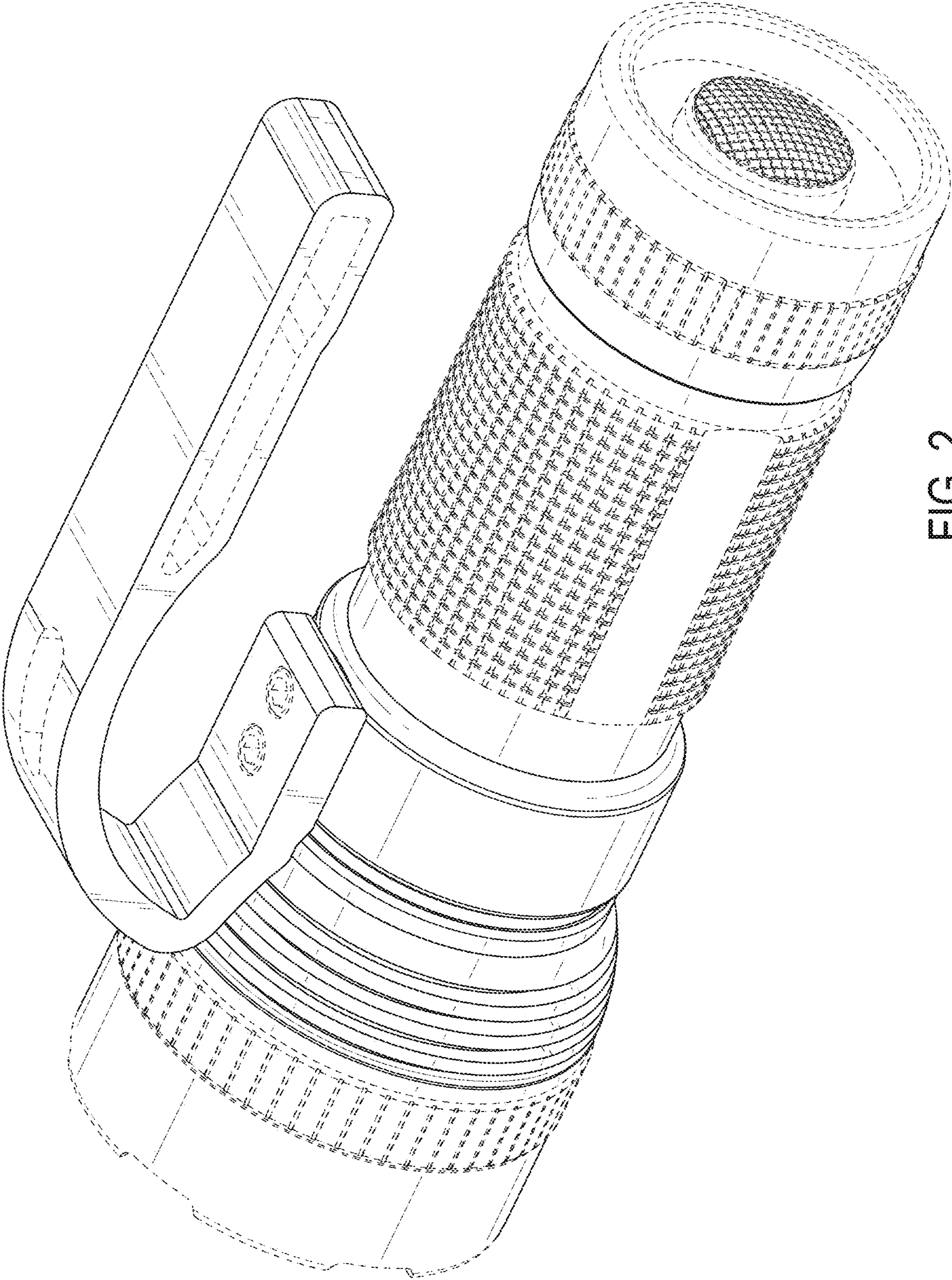


FIG. 2

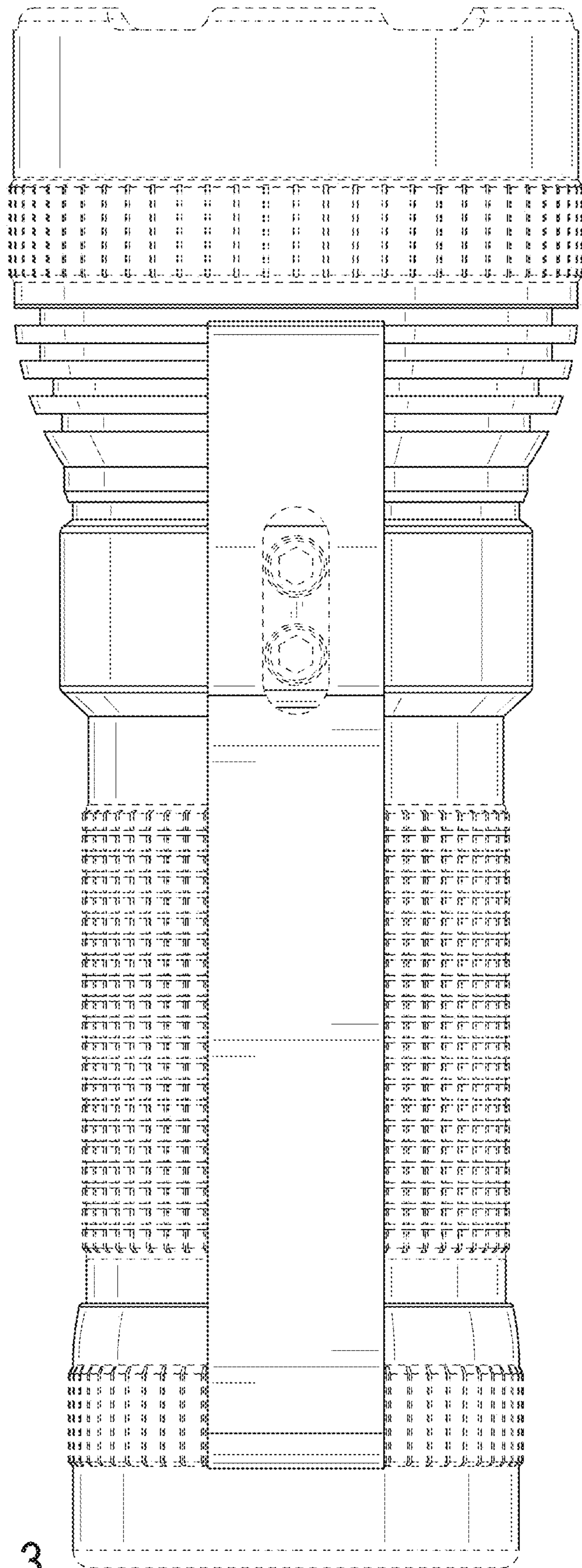


FIG. 3

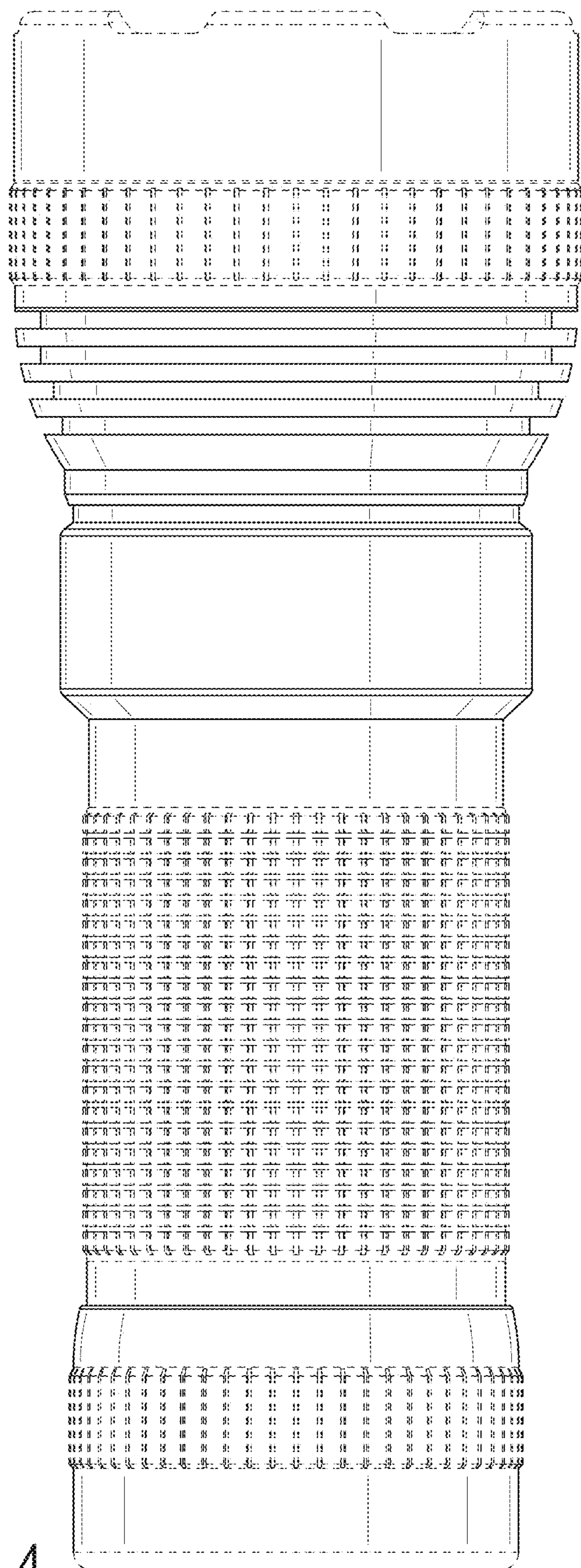


FIG. 4

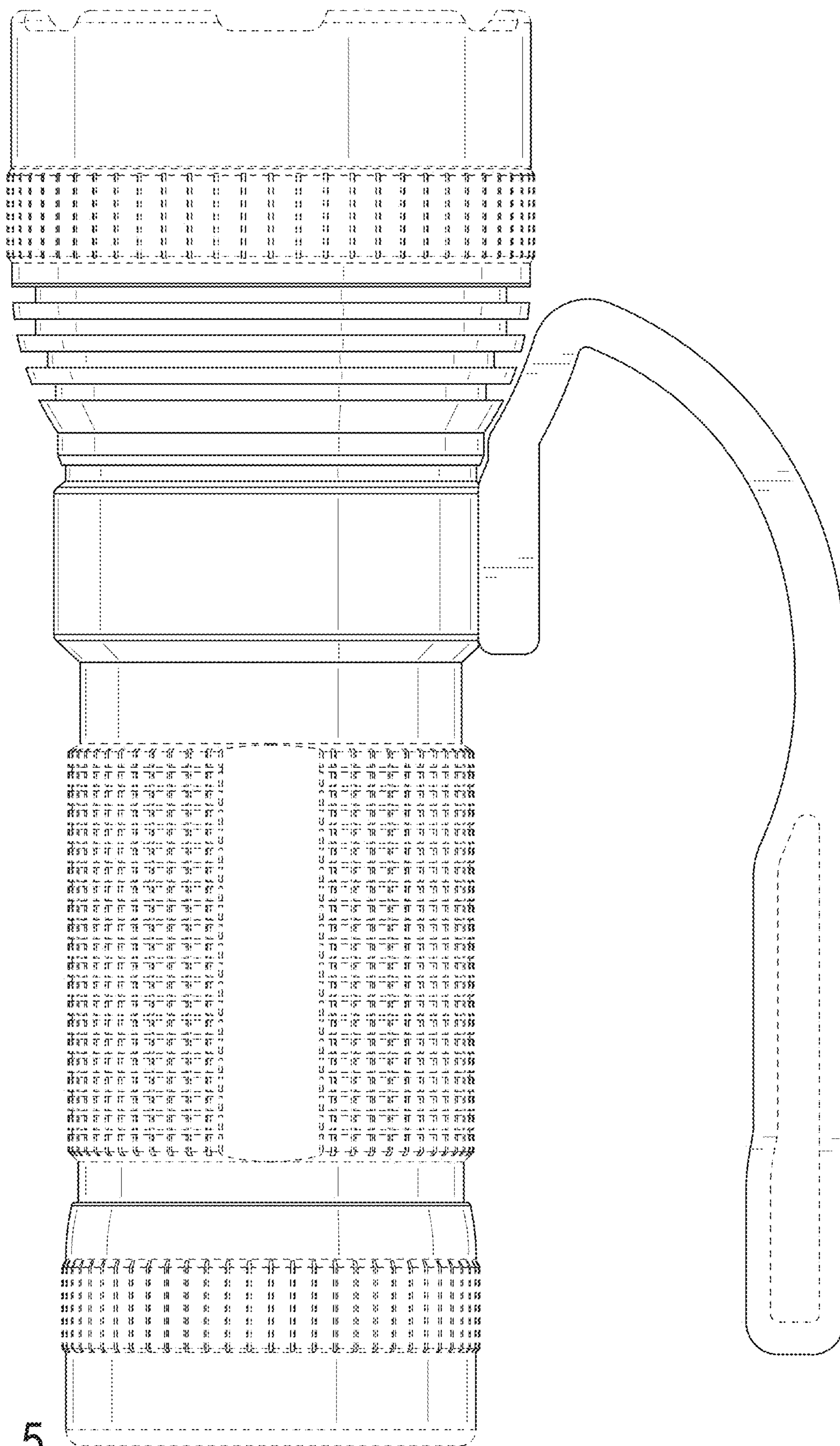


FIG. 5

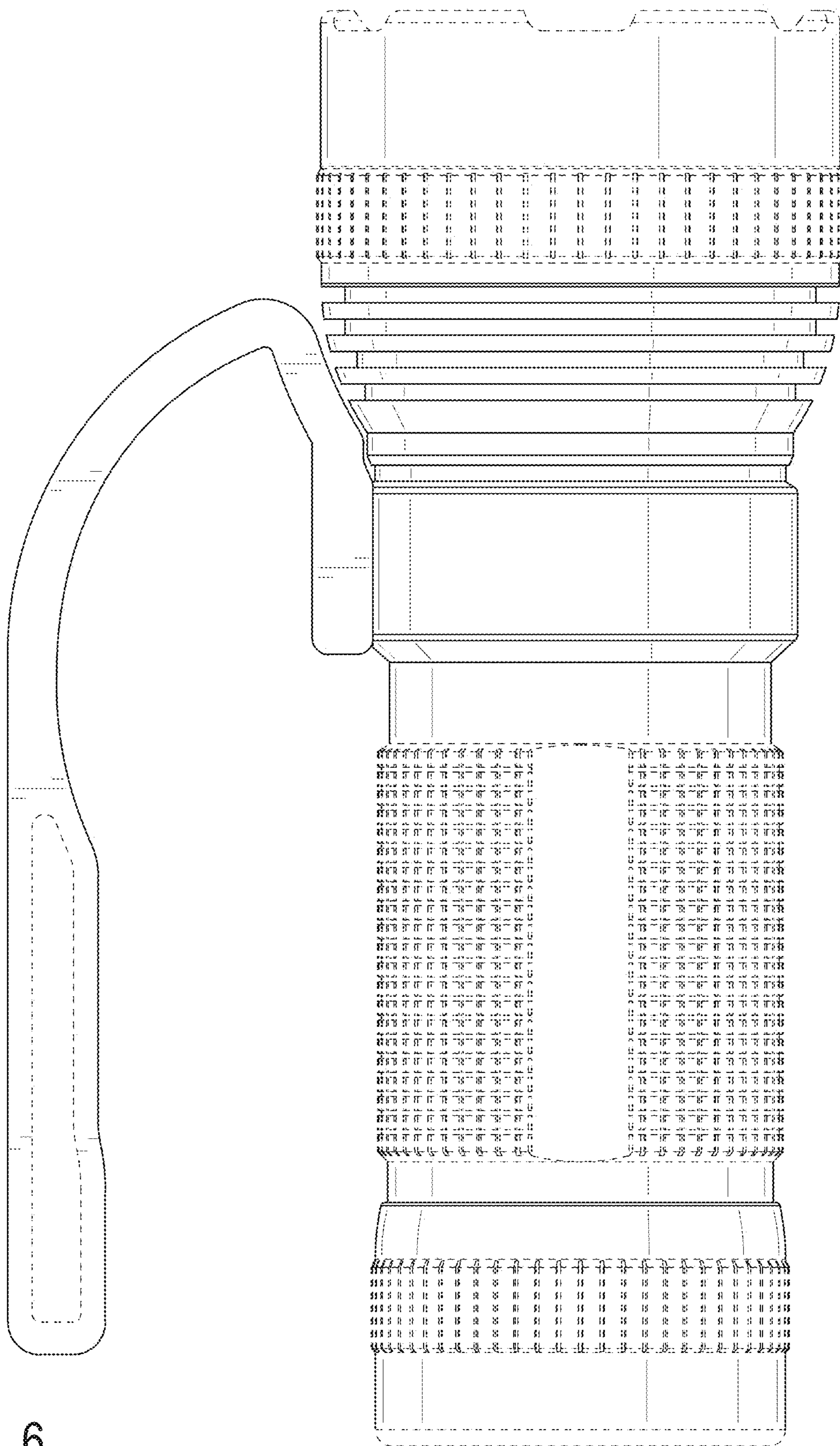


FIG. 6

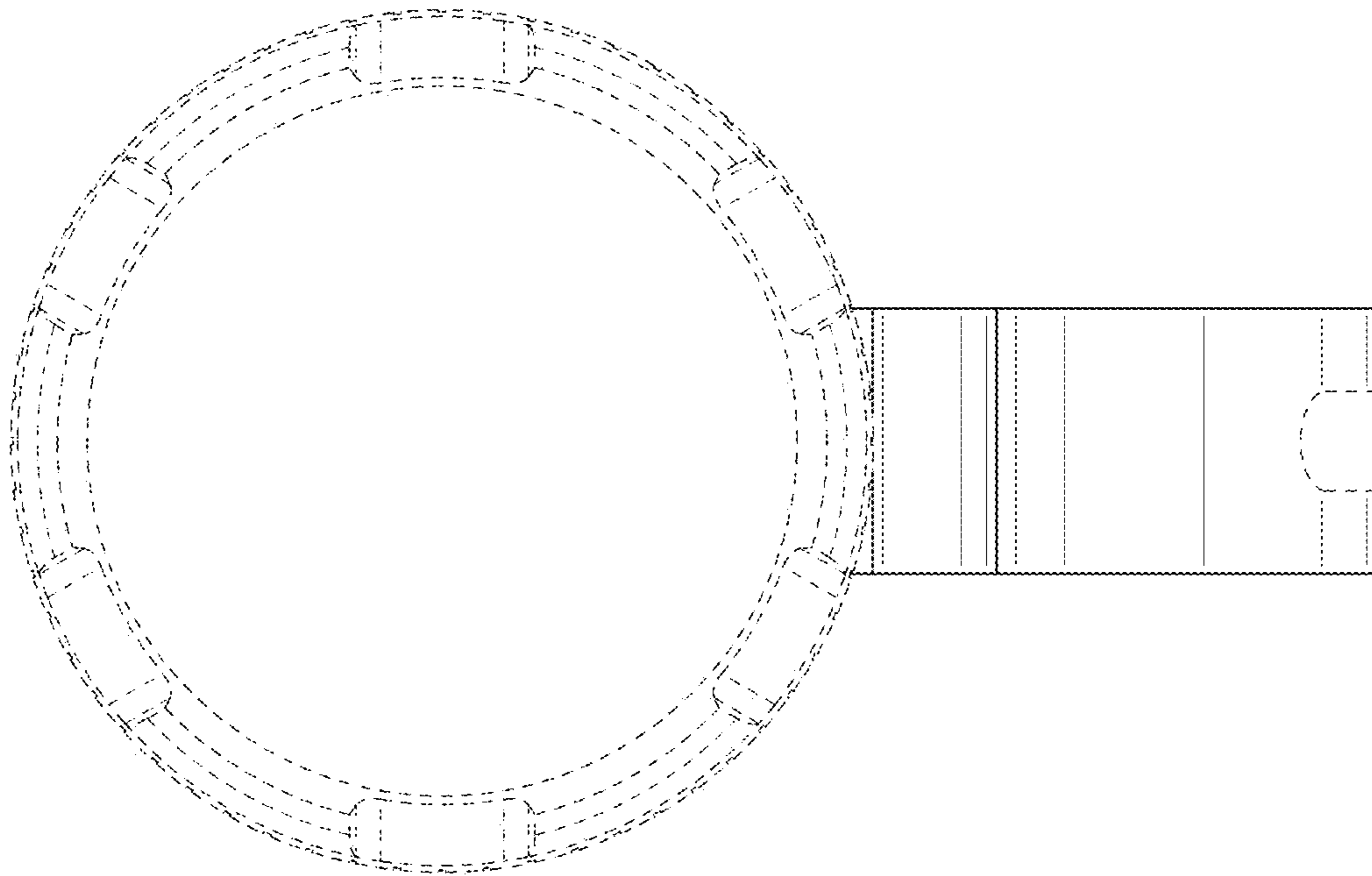


FIG. 7

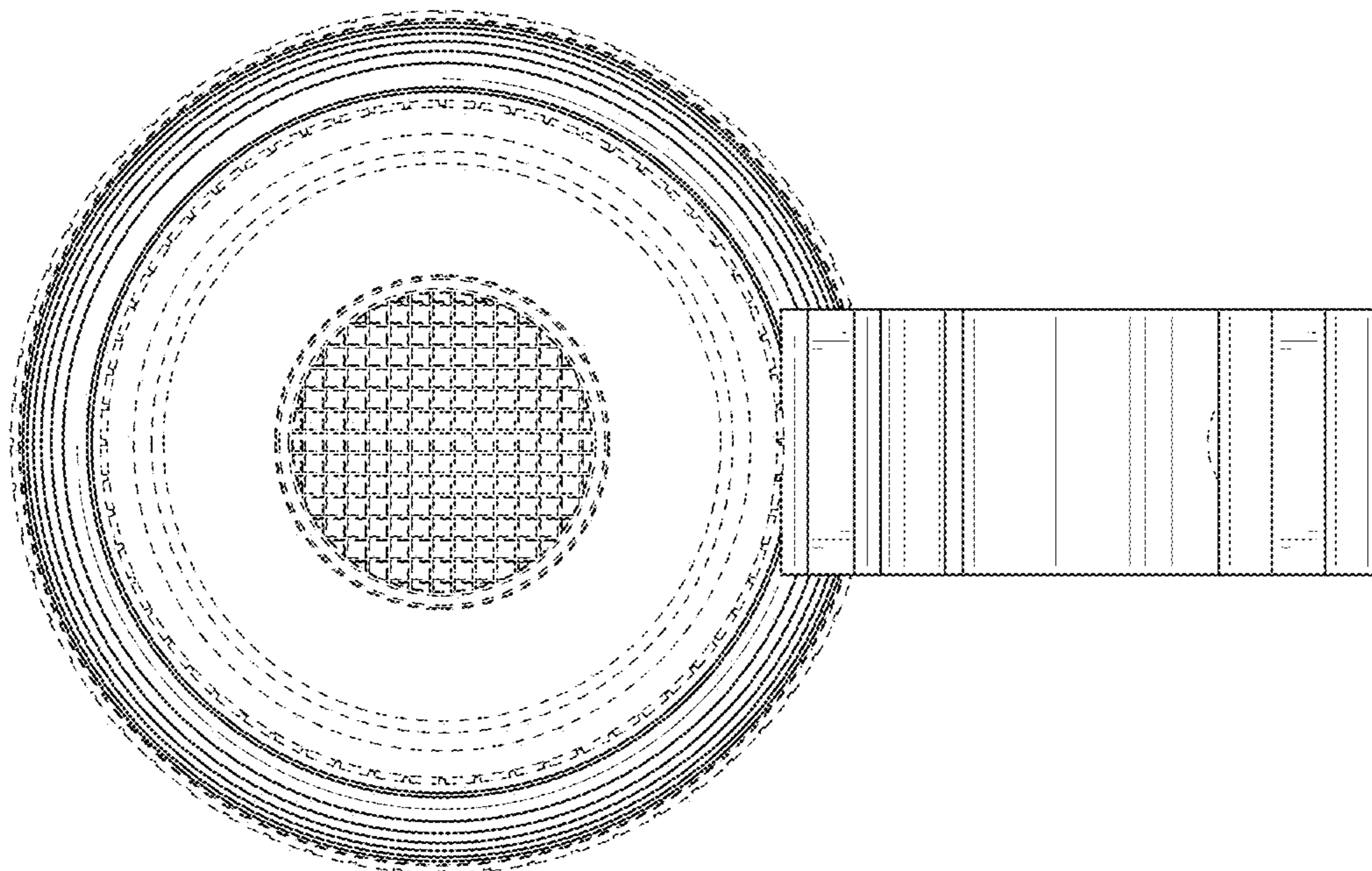


FIG. 8