



US00D976459S

(12) **United States Design Patent** (10) **Patent No.:** **US D976,459 S**
Kang et al. (45) **Date of Patent:** **** Jan. 24, 2023**

(54) **REAR COMBINATION LAMP FOR AUTOMOBILE**

(71) Applicants: **HYUNDAI MOTOR COMPANY**, Seoul (KR); **KIA MOTORS CORPORATION**, Seoul (KR)

(72) Inventors: **Deuk-Heon Kang**, Hwaseong-si (KR); **Hyo-Sung Lee**, Seoul (KR)

(73) Assignees: **Hyundai Motor Company**, Seoul (KR); **Kia Corporation**, Seoul (KR)

(**) Term: **15 Years**

(21) Appl. No.: **35/512,705**

(22) Filed: **May 31, 2021**

(80) **Hague Agreement Data**

Int. Filing Date: **May 31, 2021**

Int. Reg. No.: **DM/216528**

Int. Reg. Date: **May 31, 2021**

Int. Reg. Pub. Date: **Oct. 8, 2021**

(30) **Foreign Application Priority Data**

Jan. 28, 2021 (KR) 30-2021-0004718

(51) **LOC (14) Cl.** **26-06**

(52) **U.S. Cl.**
USPC **D26/28**

(58) **Field of Classification Search**

USPC D26/28

CPC F21S 48/00; F21S 48/10; F21S 48/115; F21S 48/225; F21S 48/1233; F21S 48/1266; F21S 48/1388; F21S 48/2266; F21V 21/04; B60Q 1/30; B60Q 1/2607; B60Q 1/2696; B62J 6/00; B62J 6/04

See application file for complete search history.

(56) **References Cited**

U.S. PATENT DOCUMENTS

D531,330 S *	10/2006	Takabatake	D26/28
D643,954 S *	8/2011	Chang	D26/28
D691,299 S *	10/2013	Binder	D26/28
D721,840 S *	1/2015	Futschik	D26/28
D748,026 S *	1/2016	Curic	D12/190
D761,459 S *	7/2016	Binder	D26/28
D771,290 S *	11/2016	Binder	D26/28
D787,725 S *	5/2017	Hong	D26/28
D841,203 S *	2/2019	Badstuebner	D26/28
D871,622 S *	12/2019	Jobling	D26/28
D871,623 S *	12/2019	Tovey	D26/28
D873,476 S *	1/2020	Rogelio	D26/139
D913,543 S *	3/2021	Thomas	D26/28
D925,790 S *	7/2021	Jobling	D26/28
D939,740 S *	12/2021	Jobling	D26/28

(Continued)

Primary Examiner — **Natasha Vujcic**

(74) *Attorney, Agent, or Firm* — **Fox Rothschild LLP**

(57) **CLAIM**

The ornamental design for a rear combination lamp for automobile, as shown and described.

DESCRIPTION

1. Rear combination lamp for automobile

1.1 : Perspective

1.2 : Front

1.3 : Back

1.4 : Left

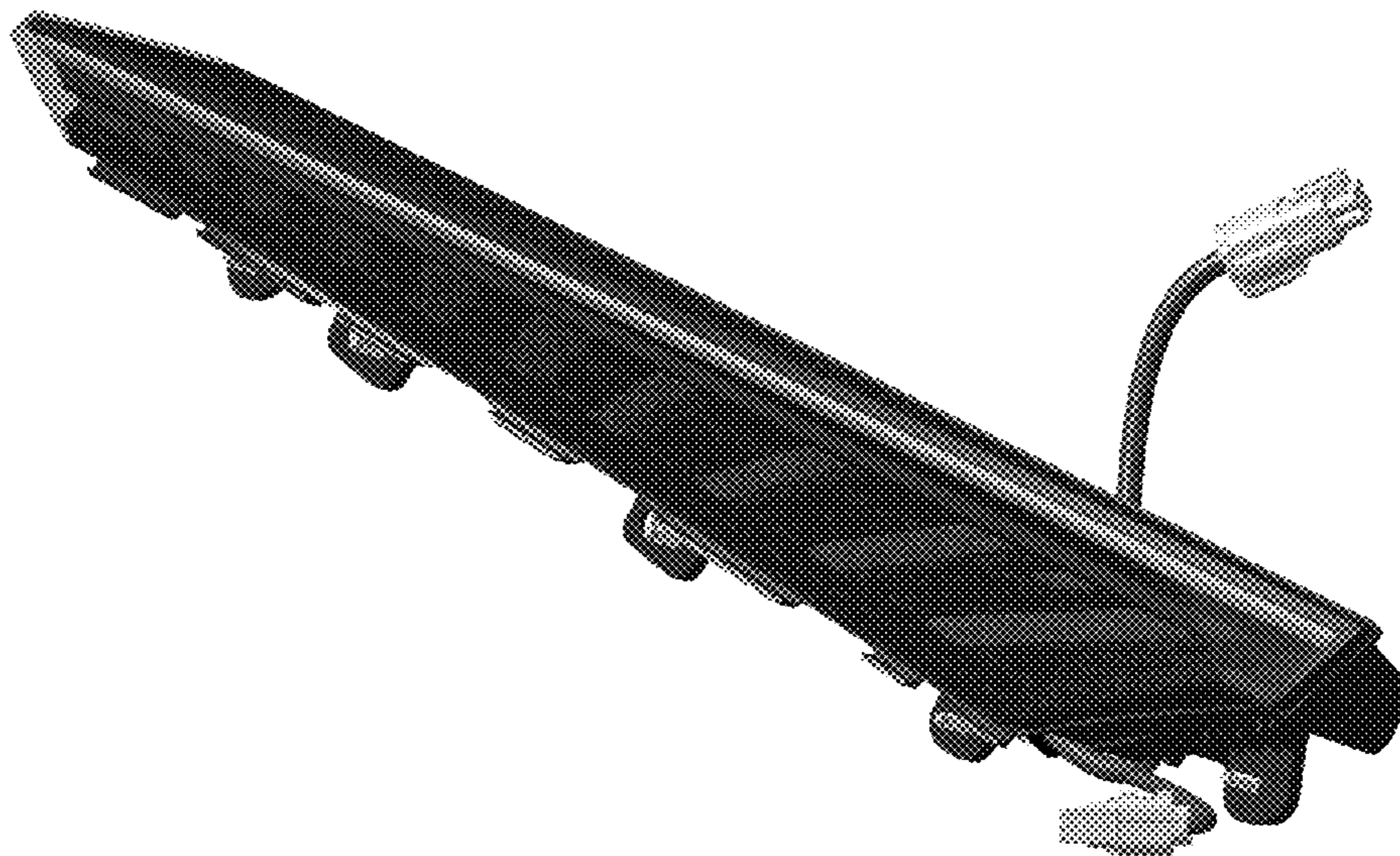
1.5 : Right

1.6 : Top

1.7 : Bottom

Reproduction 1.1 is a perspective view of a rear combination lamp for automobile showing our new design; reproduction 1.2 is a front elevation view thereof; reproduction 1.3 is a rear elevation view thereof; reproduction 1.4 is a left side elevation view thereof; reproduction 1.5 is a right side elevation view thereof; reproduction 1.6 is a top plan view thereof; reproduction 1.7 is a bottom plan view thereof.

1 Claim, 7 Drawing Sheets



(56)

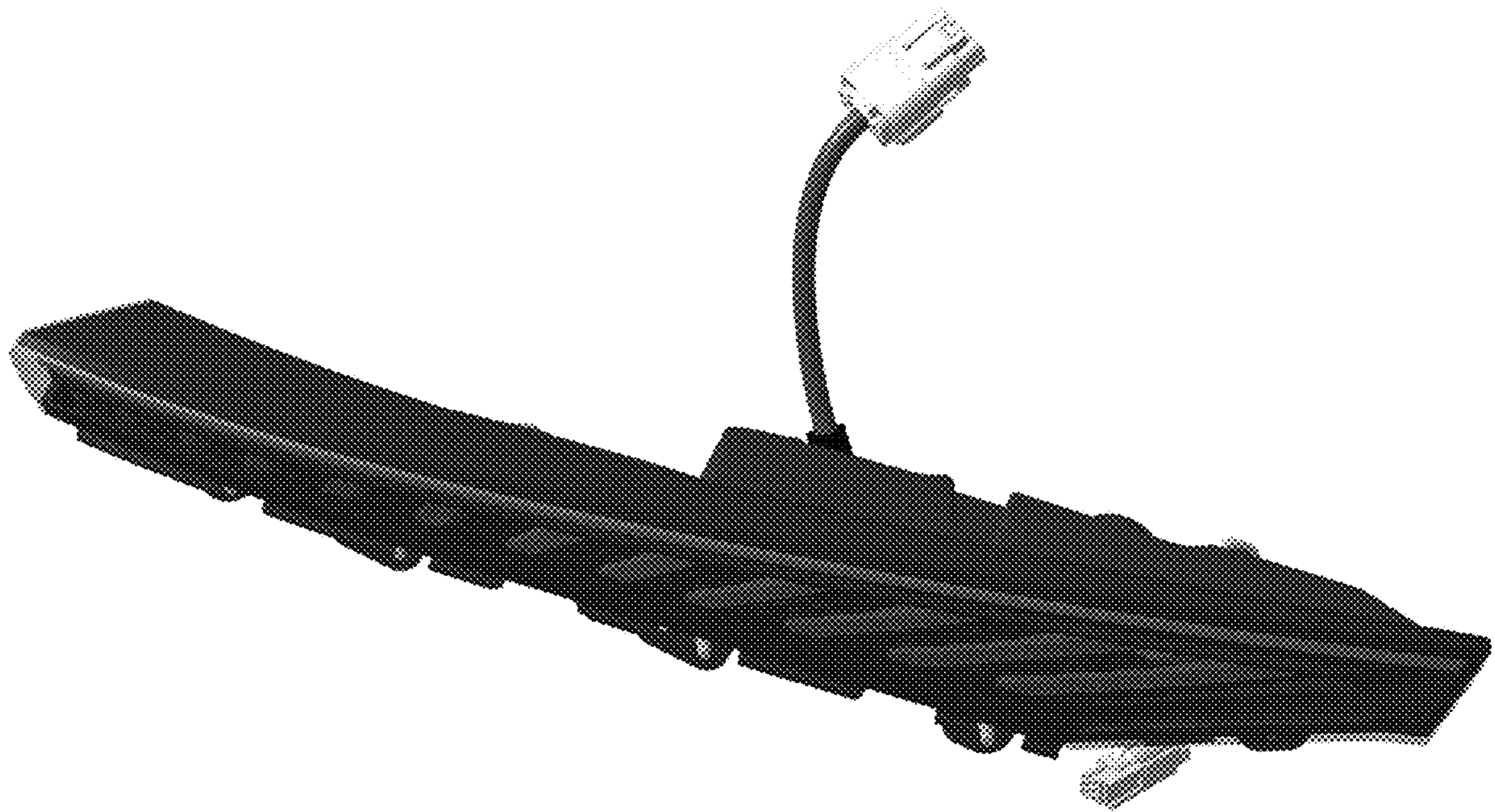
References Cited

U.S. PATENT DOCUMENTS

D950,816 S * 5/2022 Kuehn D26/28
D957,705 S * 7/2022 Jung D26/28
D958,427 S * 7/2022 Jobling D26/28

* cited by examiner

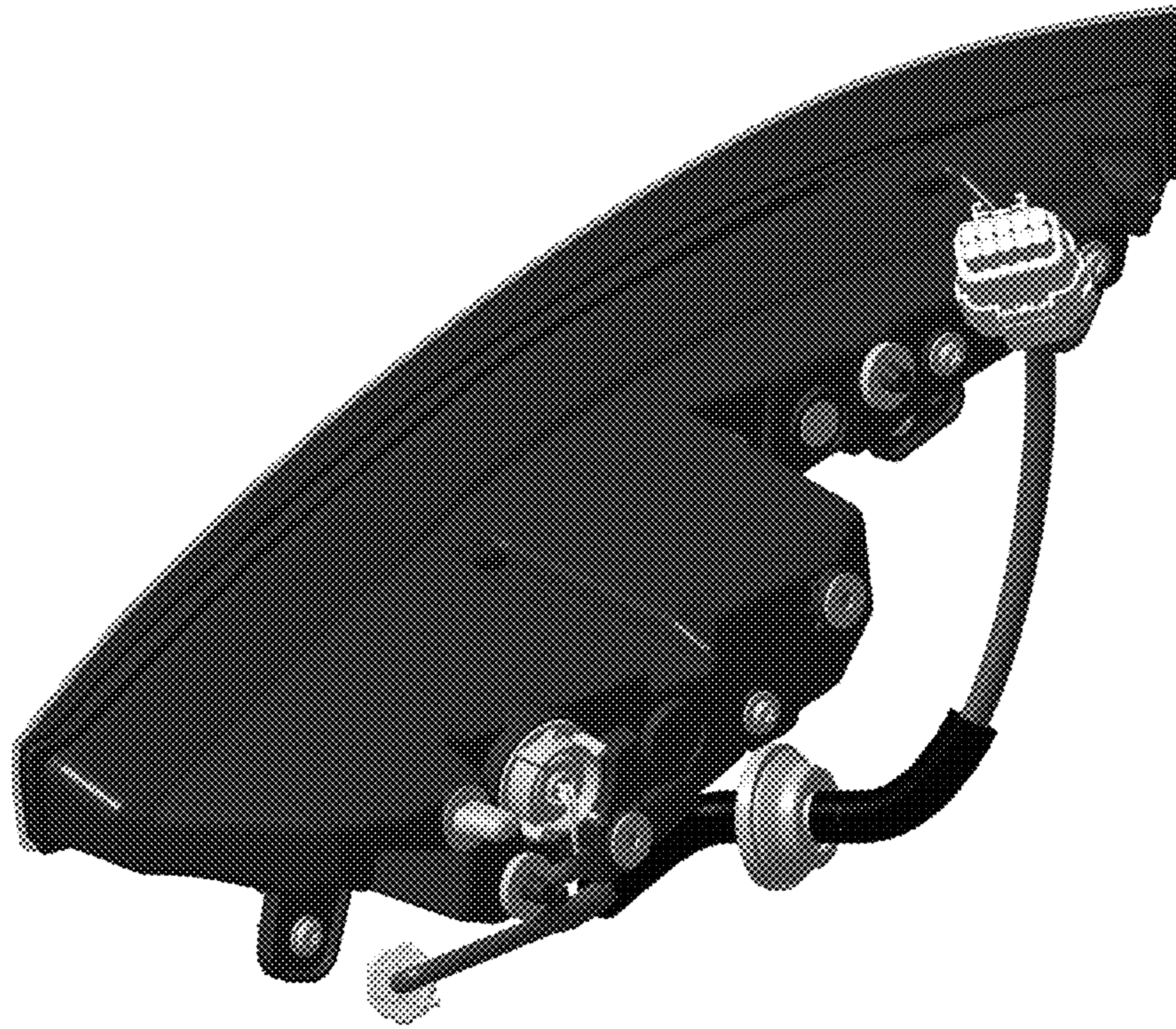
1.1



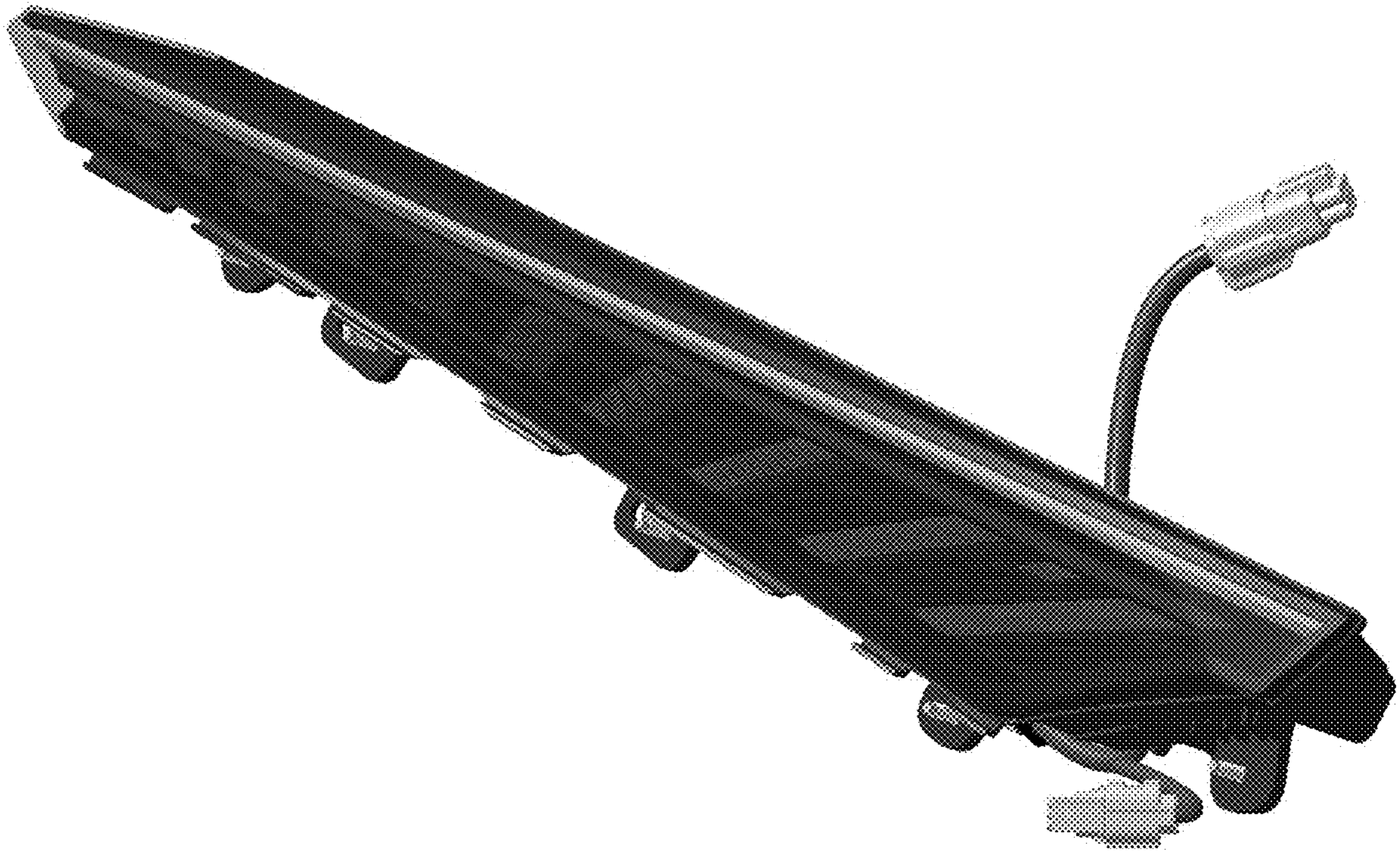
1.2



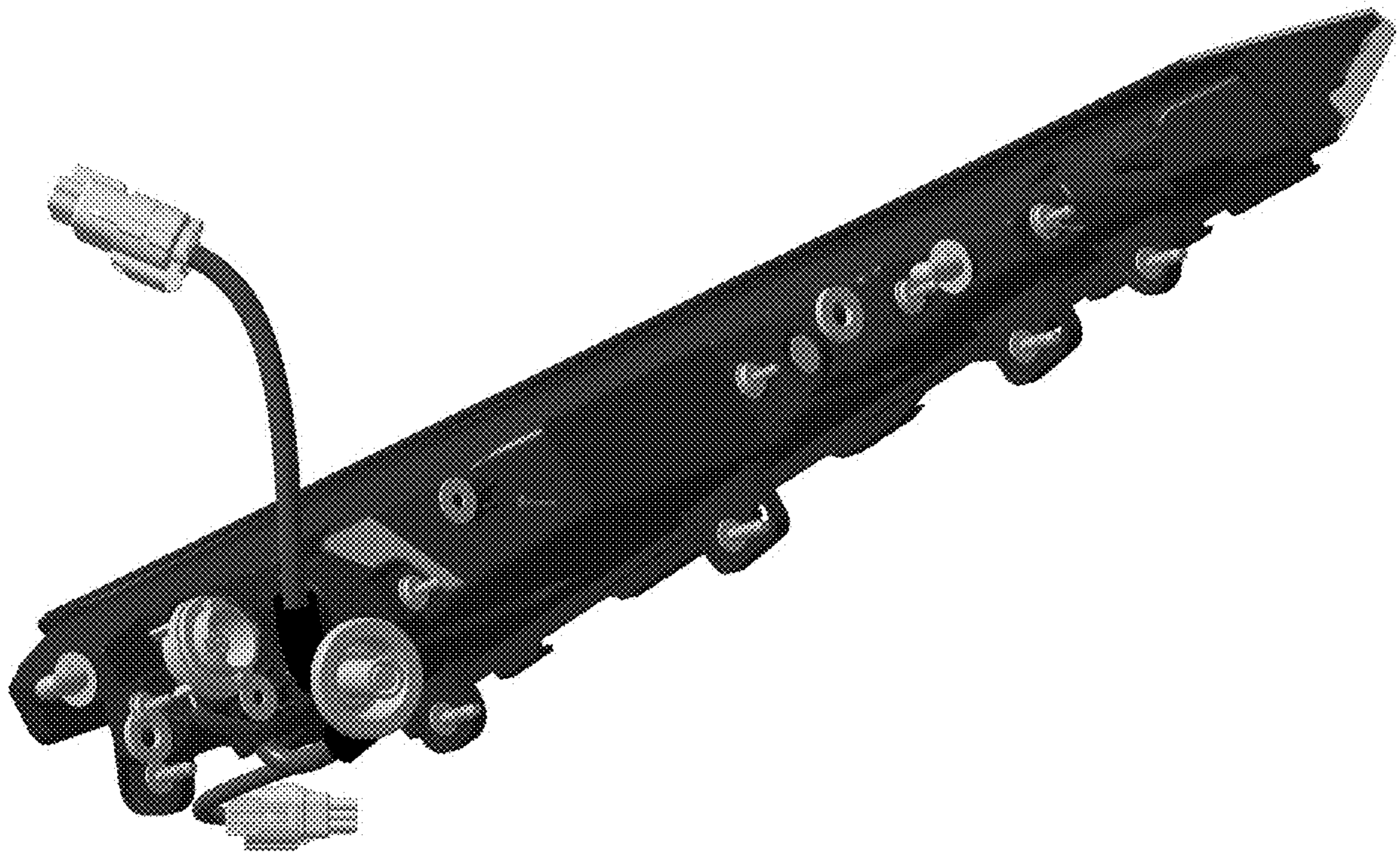
1.3



1.4



1.5



1.6



1.7

