



US00D976456S

(12) **United States Design Patent** (10) **Patent No.:** **US D976,456 S**
Susaki (45) **Date of Patent:** **** Jan. 24, 2023**

(54) **FRONT COMBINATION LAMP FOR AN AUTOMOBILE**

(71) Applicant: **Subaru Corporation**, Tokyo (JP)

(72) Inventor: **Kanenori Susaki**, Tokyo (JP)

(73) Assignee: **Subaru Corporation**, Tokyo (JP)

(**) Term: **15 Years**

(21) Appl. No.: **29/749,344**

(22) Filed: **Sep. 4, 2020**

(30) **Foreign Application Priority Data**

Mar. 6, 2020 (JP) 2020-004488 D

(51) **LOC (14) Cl.** **26-06**

(52) **U.S. Cl.**
USPC **D26/28**

(58) **Field of Classification Search**
USPC D26/28, 29, 30, 31, 32, 33, 34, 35, 36,
D26/139

CPC F21W 2103/35; F21W 2103/40; F21W 2102/17; F21W 2102/30; F21W 2103/00; F21W 2103/55; F21W 2104/00; F21W 2107/17; F21W 2107/13; F21S 41/00; F21S 41/141; F21S 41/162; F21S 41/18; F21S 41/20; F21S 41/33; F21S 41/36; F21S 41/60; F21S 43/00; F21S 43/15; F21S 43/50; F21V 21/04

See application file for complete search history.

(56) **References Cited**

U.S. PATENT DOCUMENTS

D646,410 S * 10/2011 Eda D26/28
D658,321 S * 4/2012 Takeda D26/28

D662,635 S * 6/2012 Sato D26/28
D708,367 S * 7/2014 Tajima D26/28
D735,919 S * 8/2015 Duff D26/28
D745,726 S * 12/2015 McMahan D26/28
D746,496 S * 12/2015 Loeb D26/28
D748,301 S * 1/2016 Sperling D26/28
D750,293 S * 2/2016 Wolff D26/28
D770,649 S * 11/2016 Lim D26/28
D902,458 S * 11/2020 Kim D26/28
D913,549 S * 3/2021 Nishii D26/28
D929,623 S * 8/2021 Yang D26/28

* cited by examiner

Primary Examiner — Angela J Lee

(74) *Attorney, Agent, or Firm* — Banner & Witcoff Ltd.

(57) **CLAIM**

I claim the ornamental design for a front combination lamp for an automobile, as shown and described.

DESCRIPTION

The patent or application file contains at least one drawing executed in color. Copies of this patent or patent application publication with color drawing(s) will be provided by the Office upon request and payment of the necessary fee.

FIG. 1 is a front perspective view for a “front combination lamp for an automobile” showing our new design,

FIG. 2 is a rear perspective view thereof,

FIG. 3 is a front view thereof,

FIG. 4 is a rear view thereof,

FIG. 5 is a top view thereof,

FIG. 6 is a bottom view thereof,

FIG. 7 is a left-side view thereof; and,

FIG. 8 is a right-side view thereof.

1 Claim, 5 Drawing Sheets
(5 of 5 Drawing Sheet(s) Filed in Color)

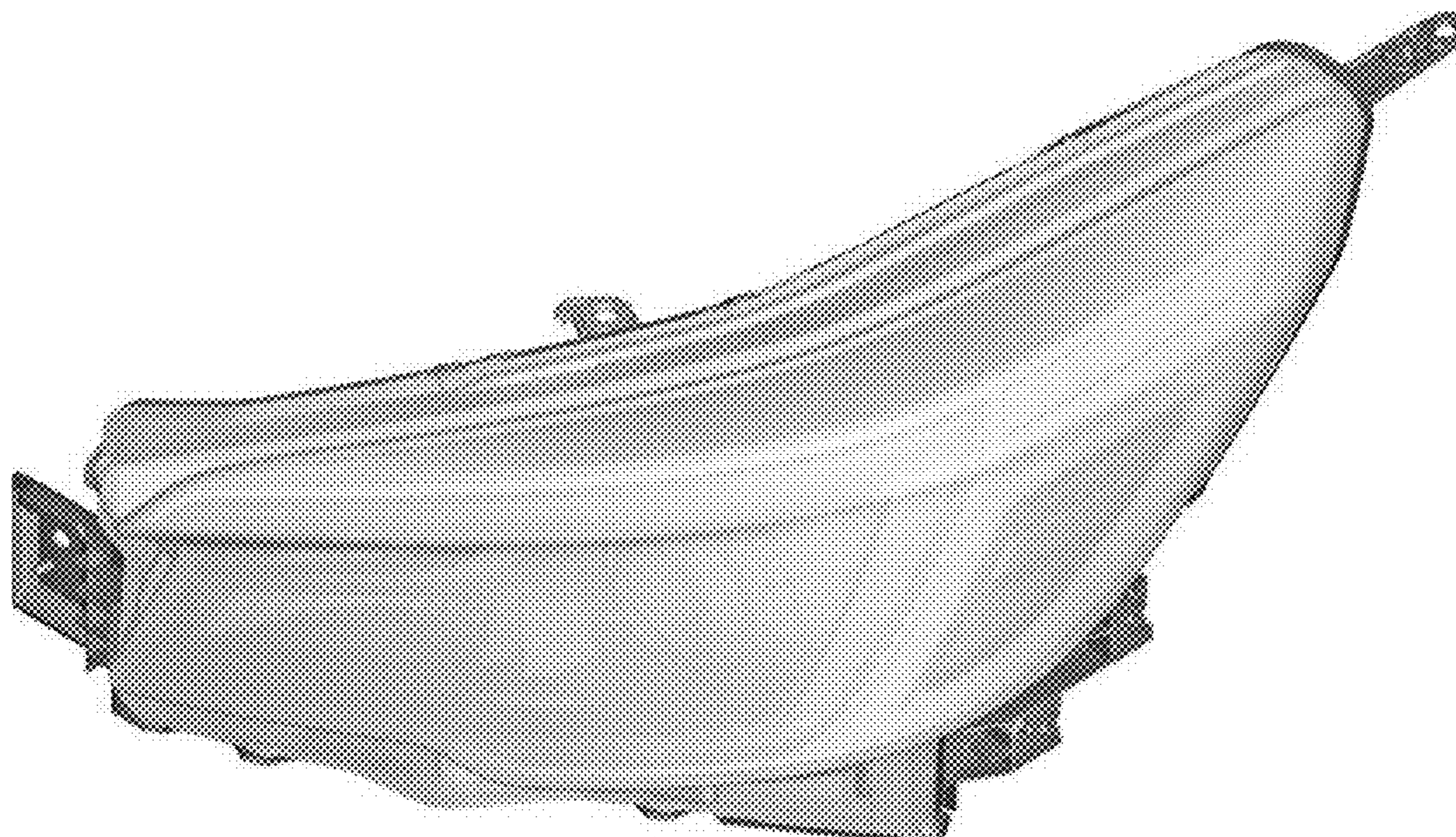


FIG. 1



FIG. 2

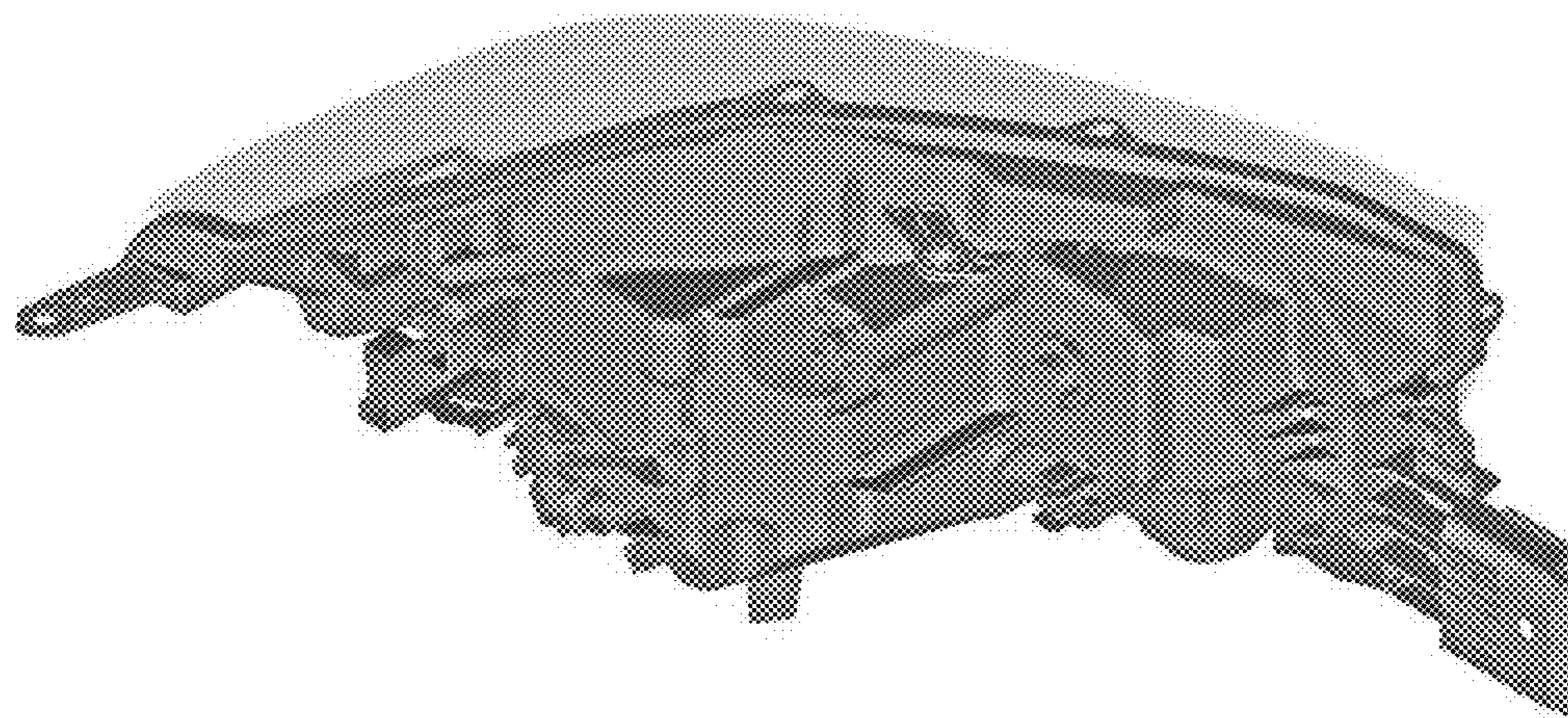


FIG. 3

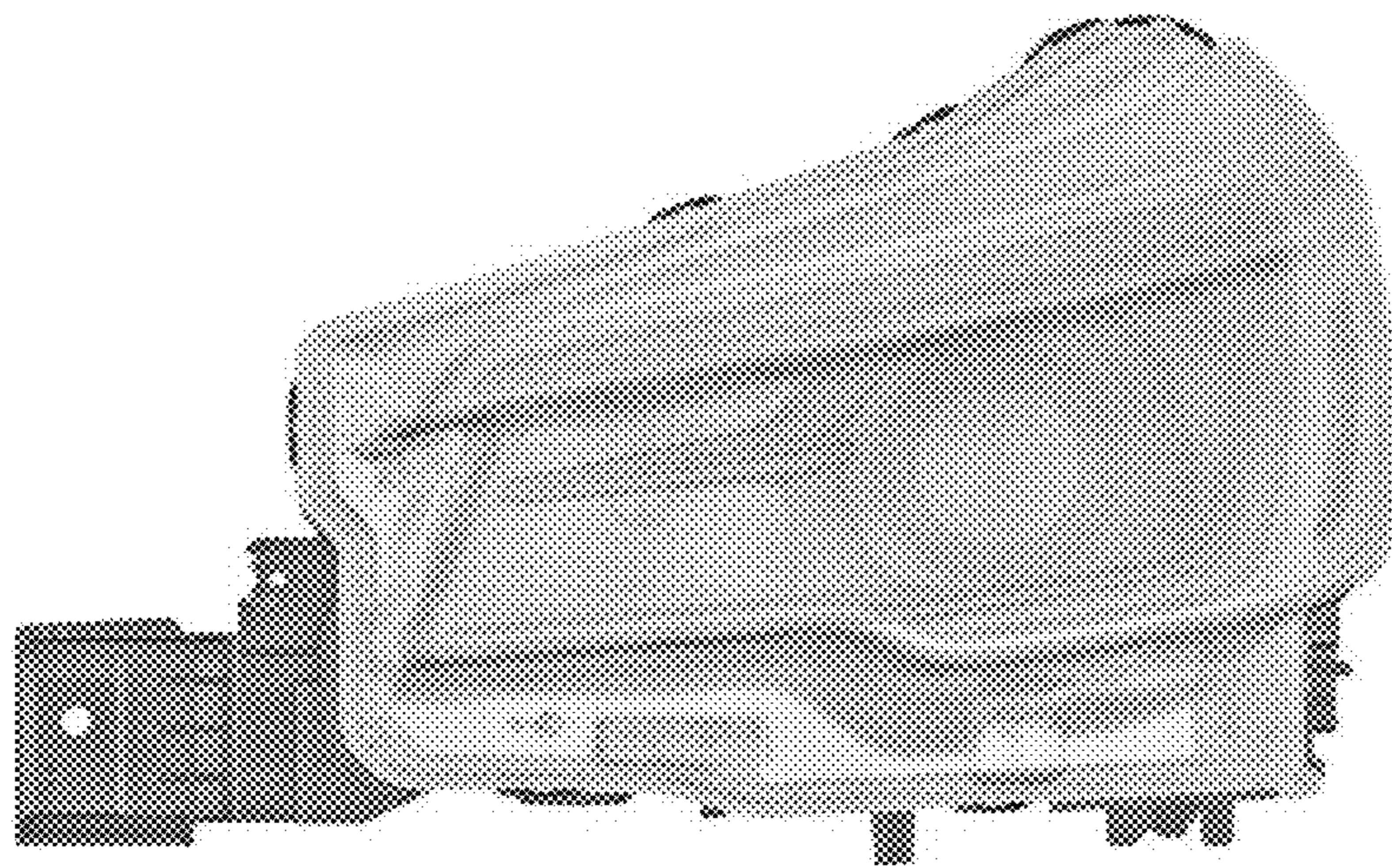


FIG. 4

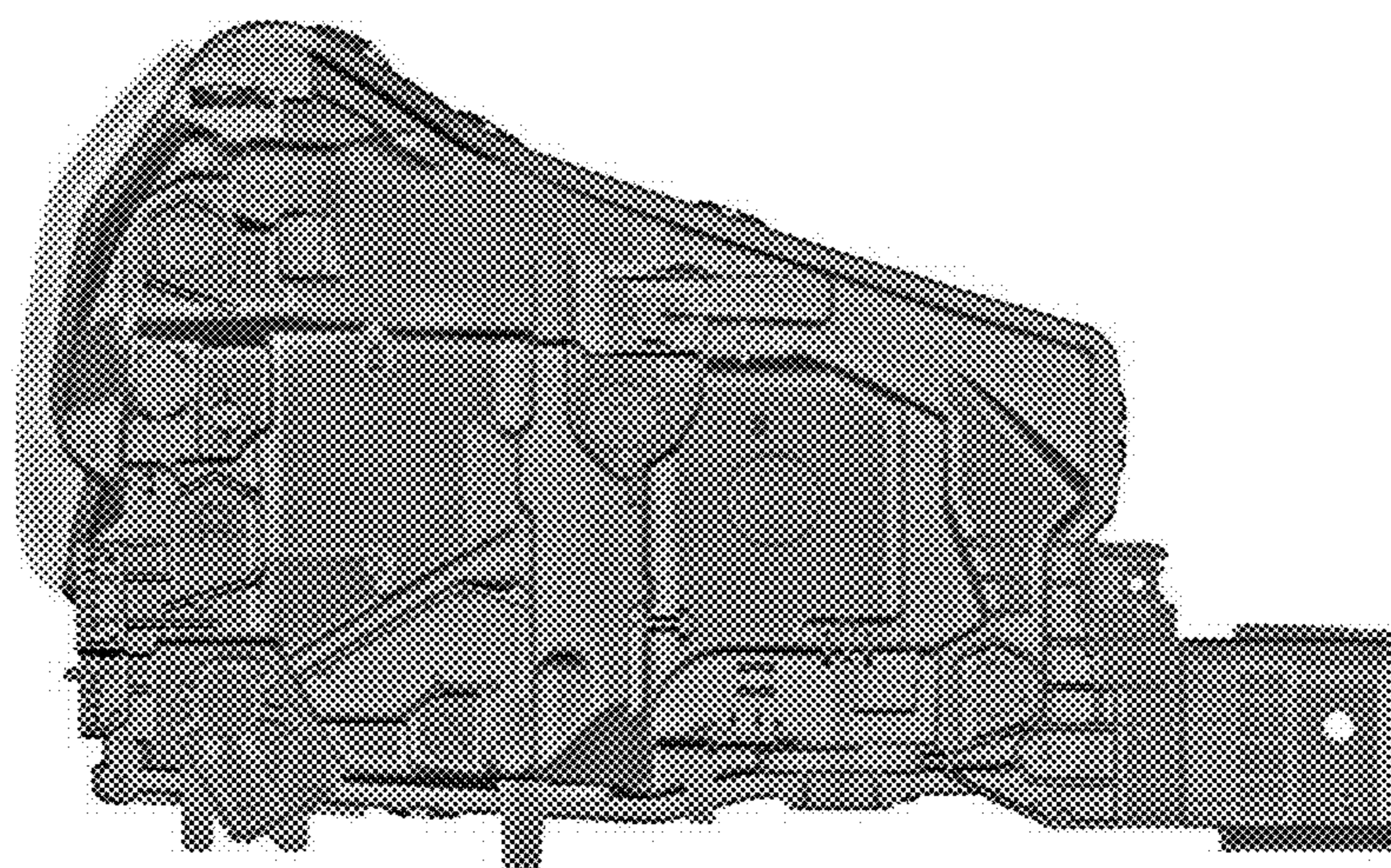


FIG. 5

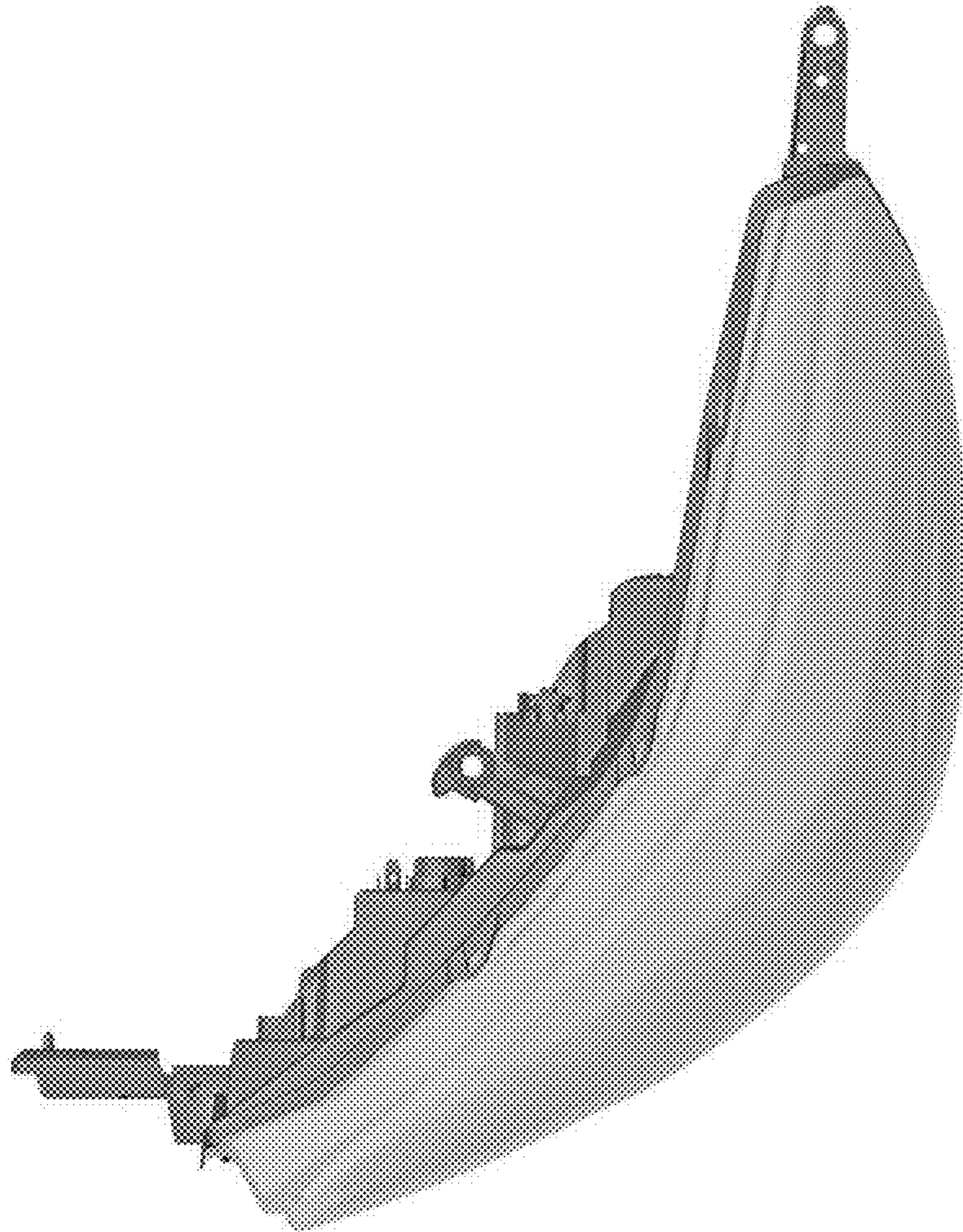


FIG. 6

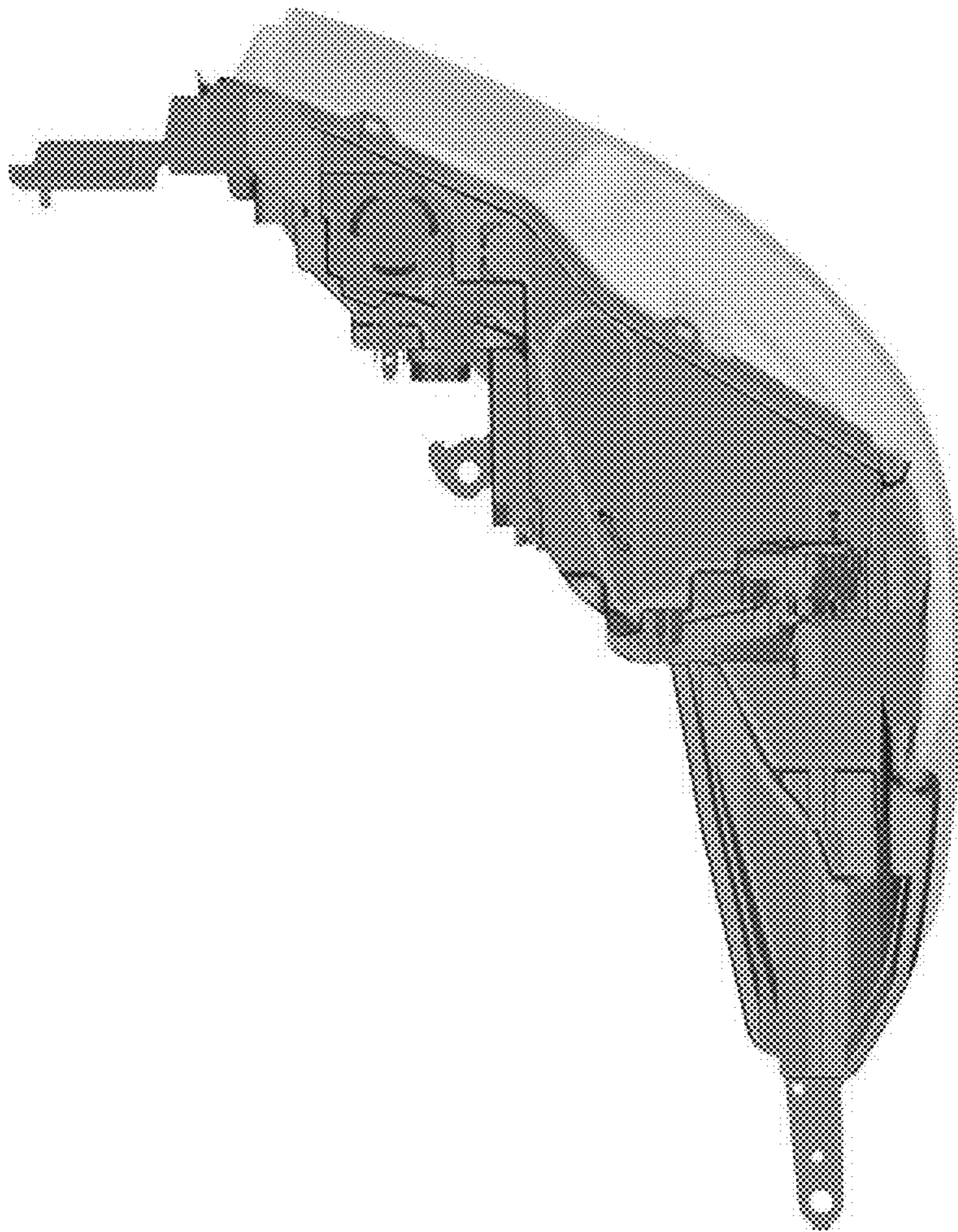


FIG. 7

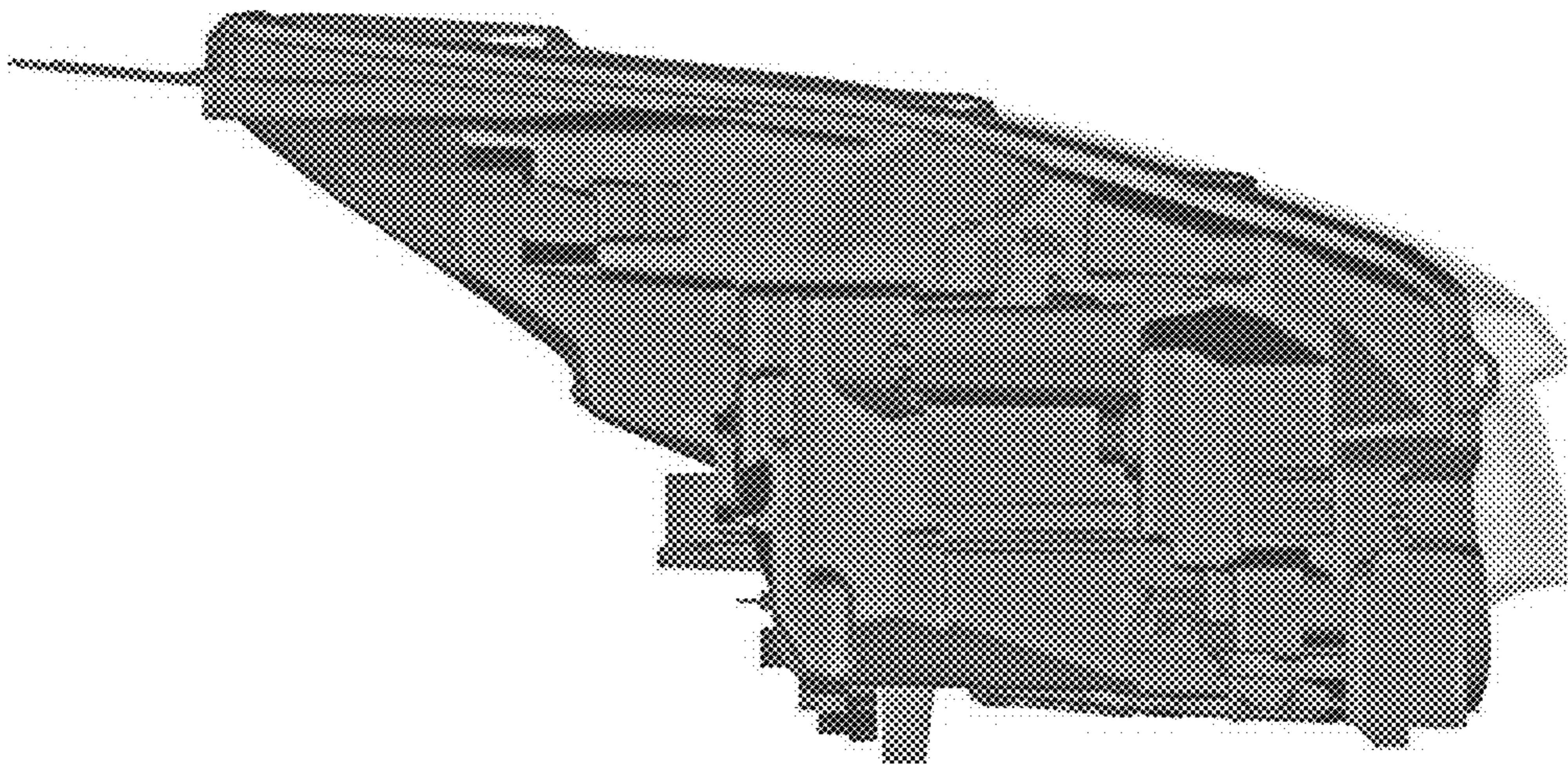


FIG. 8

