



US00D976455S

(12) **United States Design Patent** (10) **Patent No.:** **US D976,455 S**
Ewe (45) **Date of Patent:** **** Jan. 24, 2023**

(54) **TAILLIGHT FOR A VEHICLE**

FOREIGN PATENT DOCUMENTS

(71) Applicant: **Daimler AG**, Stuttgart (DE)

TW D183925 S 6/2017
TW D188553 S 2/2018
TW D189758 S 4/2018

(72) Inventor: **Torben Ewe**, Stuttgart (DE)

OTHER PUBLICATIONS

(73) Assignee: **Mercedes-Benz Group AG**, Stuttgart (DE)

“2022 Mercedes-Benz C-Class All-Terrain Taillight” by Mercedes-Benz, published by Caricos on Aug. 19, 2021. First visited on Jan. 12, 2021 via URL: <https://www.caricos.com/cars/m/mercedes-benz/2022_mercedes-benz_c-class_all-terrain/> (Year: 2021).*
Chinese-language Search Report issued in counterpart Taiwan Design Patent Application No. 109300419 dated Oct. 28, 2020 with partial English translation (5 pages).

(**) Term: **15 Years**

(21) Appl. No.: **29/739,869**

(22) Filed: **Jun. 30, 2020**

* cited by examiner

(51) **LOC (14) Cl.** **26-06**

(52) **U.S. Cl.**
USPC **D26/28**

(58) **Field of Classification Search**
USPC D26/28, 29, 30, 31, 32, 33, 34, 35, 36
CPC F21V 35/00; F21V 14/01; F21V 29/00;
F21V 5/00; B60Q 9/135; B65D 41/04
See application file for complete search history.

Primary Examiner — Marissa J Cash
Assistant Examiner — William B Melliar
(74) *Attorney, Agent, or Firm* — Crowell & Moring LLP

(57) **CLAIM**

The ornamental design for a taillight for a vehicle, as shown and described.

DESCRIPTION

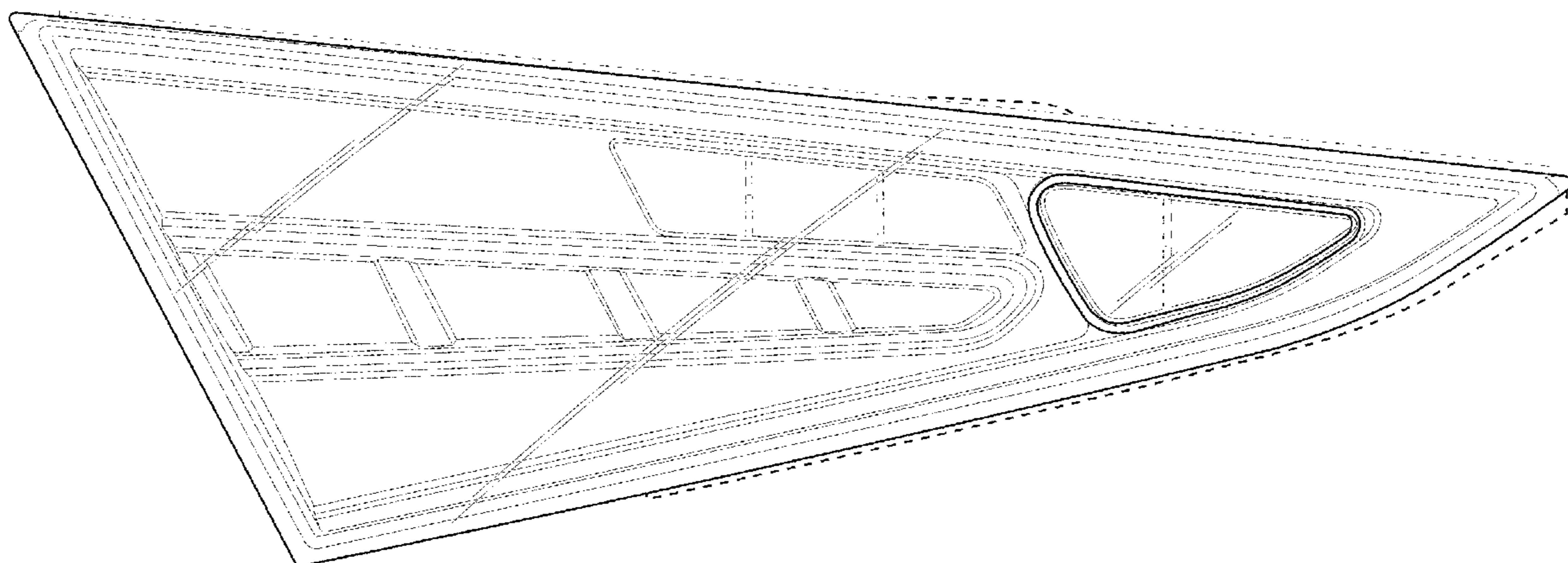
(56) **References Cited**

U.S. PATENT DOCUMENTS

D701,983 S *	4/2014	Kong	D26/28
D755,420 S *	5/2016	Ko	D26/28
D776,838 S *	1/2017	Wu	D26/28
D782,713 S *	3/2017	Munakata	D26/28
D795,472 S *	8/2017	Leutiger	D26/28
D804,693 S *	12/2017	Handt	D26/28
D828,934 S *	9/2018	Baaske	D26/28
D837,422 S *	1/2019	Yamashita	D26/28
D850,671 S *	6/2019	Badstuebner	D26/28
D887,040 S *	6/2020	Lee	D26/28
D893,778 S *	8/2020	Kim	D26/28
D901,730 S *	11/2020	Chen	D26/28
D917,748 S *	4/2021	Lenglin	D26/28
D924,451 S *	7/2021	Nagasaka	D26/28

FIG. 1 is a front view of a taillight for a vehicle according to the design;
FIG. 2 is a left side perspective view thereof;
FIG. 3 is a left side view thereof; and,
FIG. 4 is a top view thereof.
The broken lines in the drawings depict portions of the taillight for a vehicle that form no part of the claimed design. The additional broken lines shown in the drawings illustrate environmental subject matter only and form no part of the claimed design. The drawings and descriptions represent the left side embodiment. The claim is also for a mirror image right side embodiment that is not shown. Also enclosed is a set of photographs of an embodiment of the design.

1 Claim, 4 Drawing Sheets



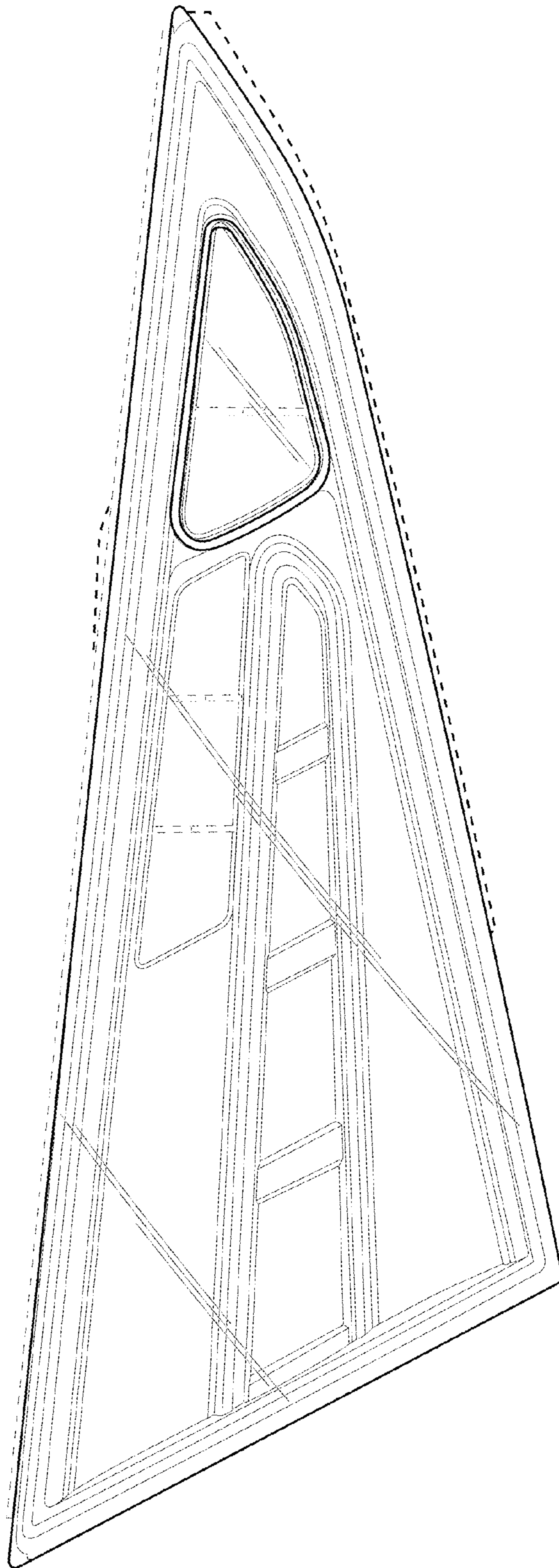


FIG. 1

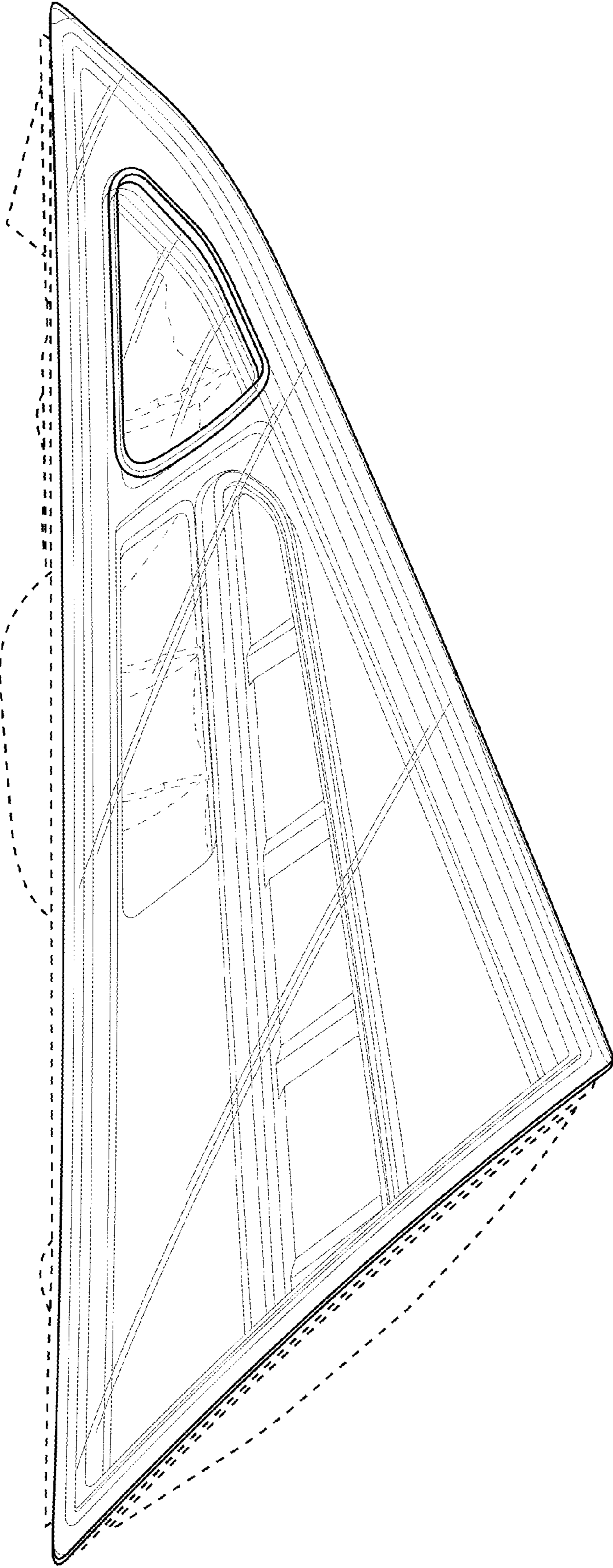


FIG. 2

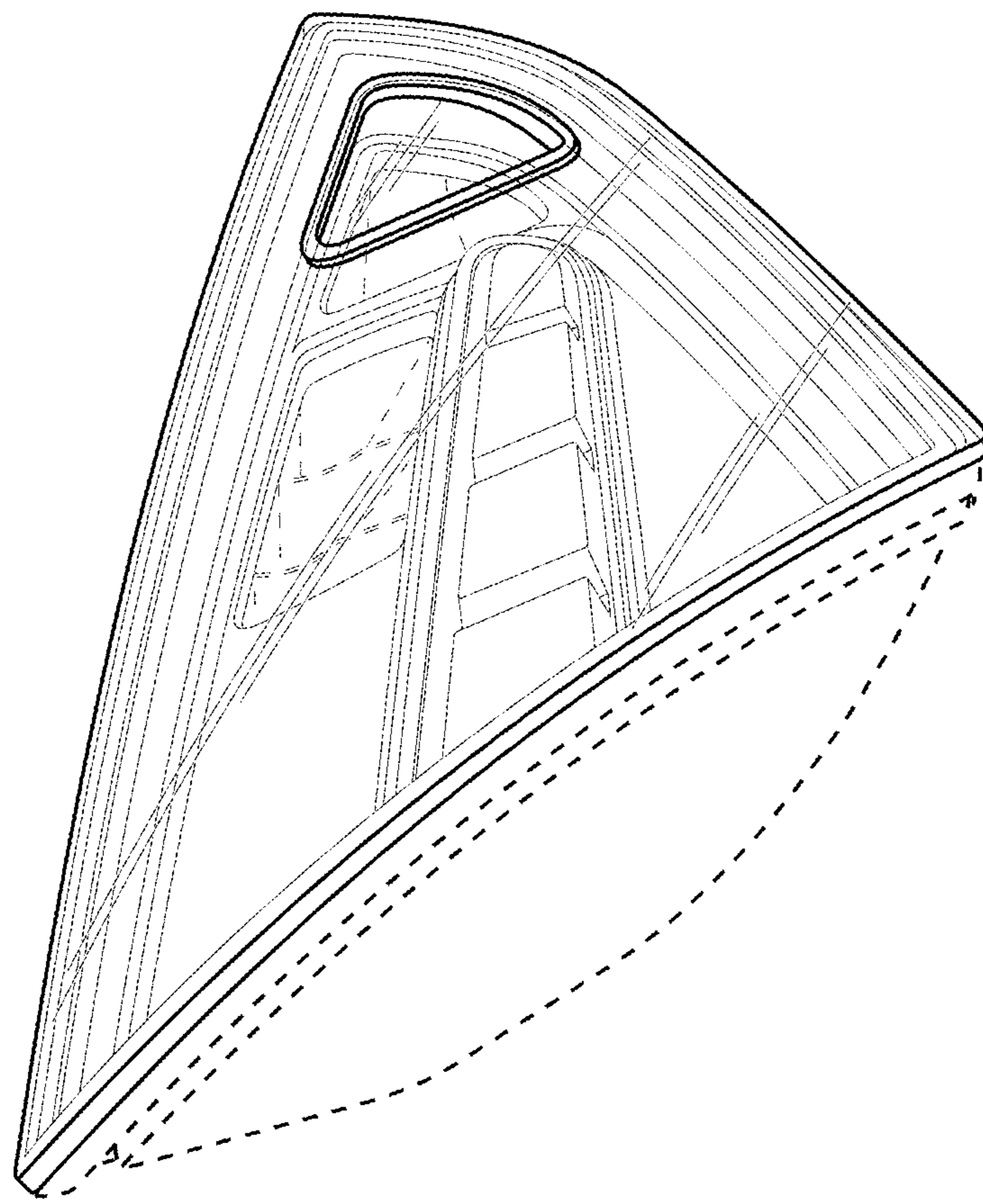


FIG. 3

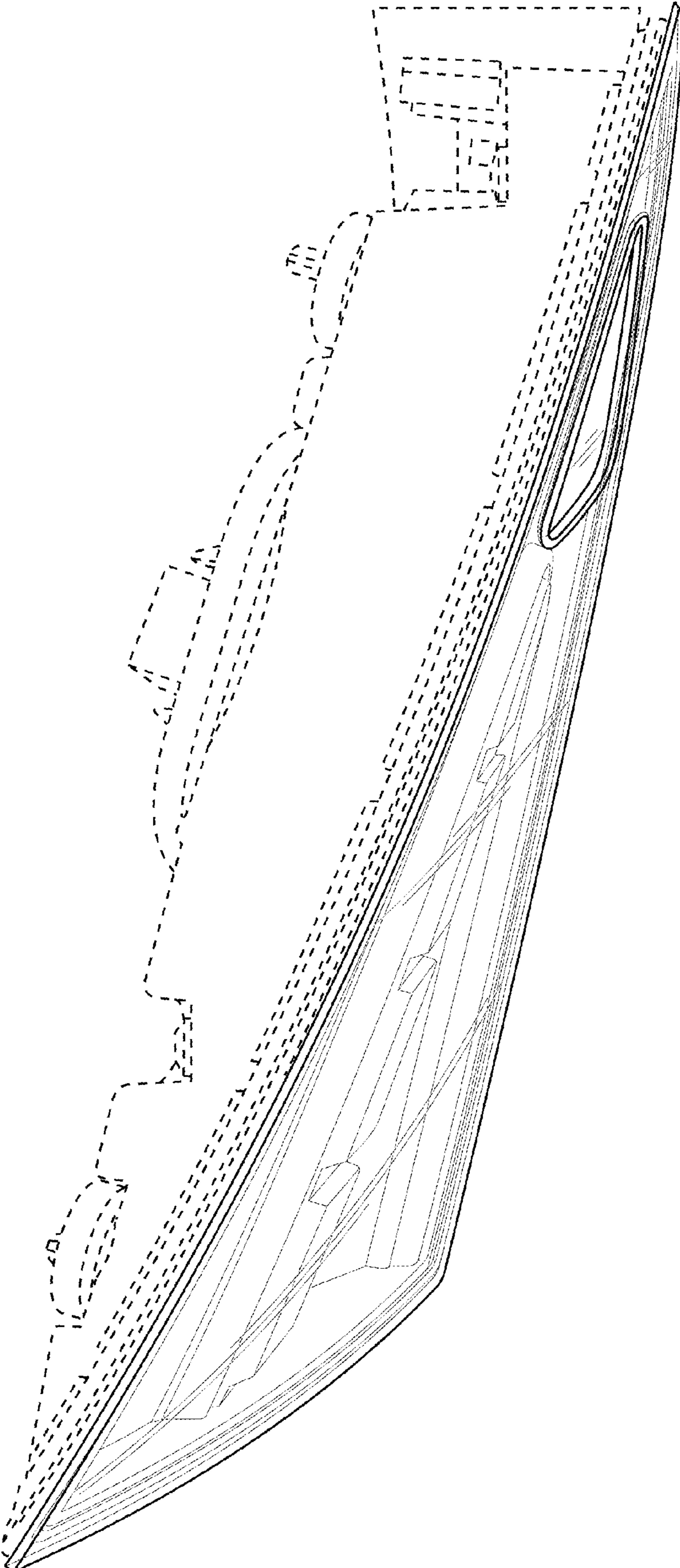


FIG. 4