



US00D976453S

(12) **United States Design Patent** (10) **Patent No.:** **US D976,453 S**
She (45) **Date of Patent:** **** Jan. 24, 2023**

(54) **HALLOWEEN STRING LIGHT**

(71) Applicant: **Wenda She**, Anshan (CN)

(72) Inventor: **Wenda She**, Anshan (CN)

(**) Term: **15 Years**

(21) Appl. No.: **29/824,437**

(22) Filed: **Jan. 25, 2022**

(51) **LOC (14) Cl.** **26-04**

(52) **U.S. Cl.**
USPC **D26/25**

(58) **Field of Classification Search**
USPC D26/1, 2, 4, 24, 25, 27, 57, 61, 67, 73,
D26/94, 98, 103, 110, 119, 128;
D11/117, 121, 130
CPC F21S 4/00; F21S 4/10; F21S 4/15; F21S
4/20; F21S 4/22; F21S 4/24; F21S 4/26;
F21W 2121/00; F21W 2121/04; F21W
2131/109

See application file for complete search history.

(56) **References Cited**

U.S. PATENT DOCUMENTS

| | | | | | |
|--------------|------|---------|----------|-------|-------------------------|
| 5,361,192 | A * | 11/1994 | Lai | | F21S 4/10 362/249.06 |
| D457,666 | S | 5/2002 | Sehl | | |
| D547,887 | S * | 7/2007 | Titmarsh | | D26/25 |
| D828,775 | S * | 9/2018 | Qin | | D11/11 |
| D869,012 | S * | 12/2019 | Zhu | | D26/25 |
| D869,013 | S * | 12/2019 | Zhu | | D26/25 |
| D869,816 | S * | 12/2019 | Kim | | D1/109 |
| D895,172 | S * | 9/2020 | James | | D26/4 |
| D940,920 | S * | 1/2022 | Jin | | D26/4 |
| 2008/0191633 | A1 * | 8/2008 | Lai | | H05B 45/20 315/185 S |
| 2018/0340676 | A1 * | 11/2018 | Tsai | | H01R 33/94 |

OTHER PUBLICATIONS

“BOHON” reference by BoHon Lighting Store on Amazon.com, date first available Aug. 9, 2019 [online], site visited Aug. 16, 2022, available from internet URL: <https://www.amazon.com/BOHON-Halloween-Lantern-Thanksgiving-Decorations/dp/B07W4VHKB8> (Year: 2019).*

“Halloween” reference by Jindi on Amazon.com, date first available Jun. 17, 2020 [online], site visited Aug. 16, 2022, available from internet URL: <https://www.amazon.com/Halloween-Battery-Powered-Decoration-Outdoor/dp/B08BC4H78K> (Year: 2020).*

* cited by examiner

Primary Examiner — Marissa J Cash

Assistant Examiner — Liv C Anderson

(57) **CLAIM**

The ornamental design for Halloween string light, substantially as shown and described.

DESCRIPTION

FIG. 1 is a front perspective view of Halloween string light, showing my new design;
FIG. 2 is a front view thereof;
FIG. 3 is a rear view thereof;
FIG. 4 is a left side view thereof;
FIG. 5 is a right side view thereof;
FIG. 6 is a top view thereof; and,
FIG. 7 is a bottom view thereof.

The broken lines in the drawings illustrate the portions of the Halloween string light, which form no part of the claimed design.

1 Claim, 7 Drawing Sheets

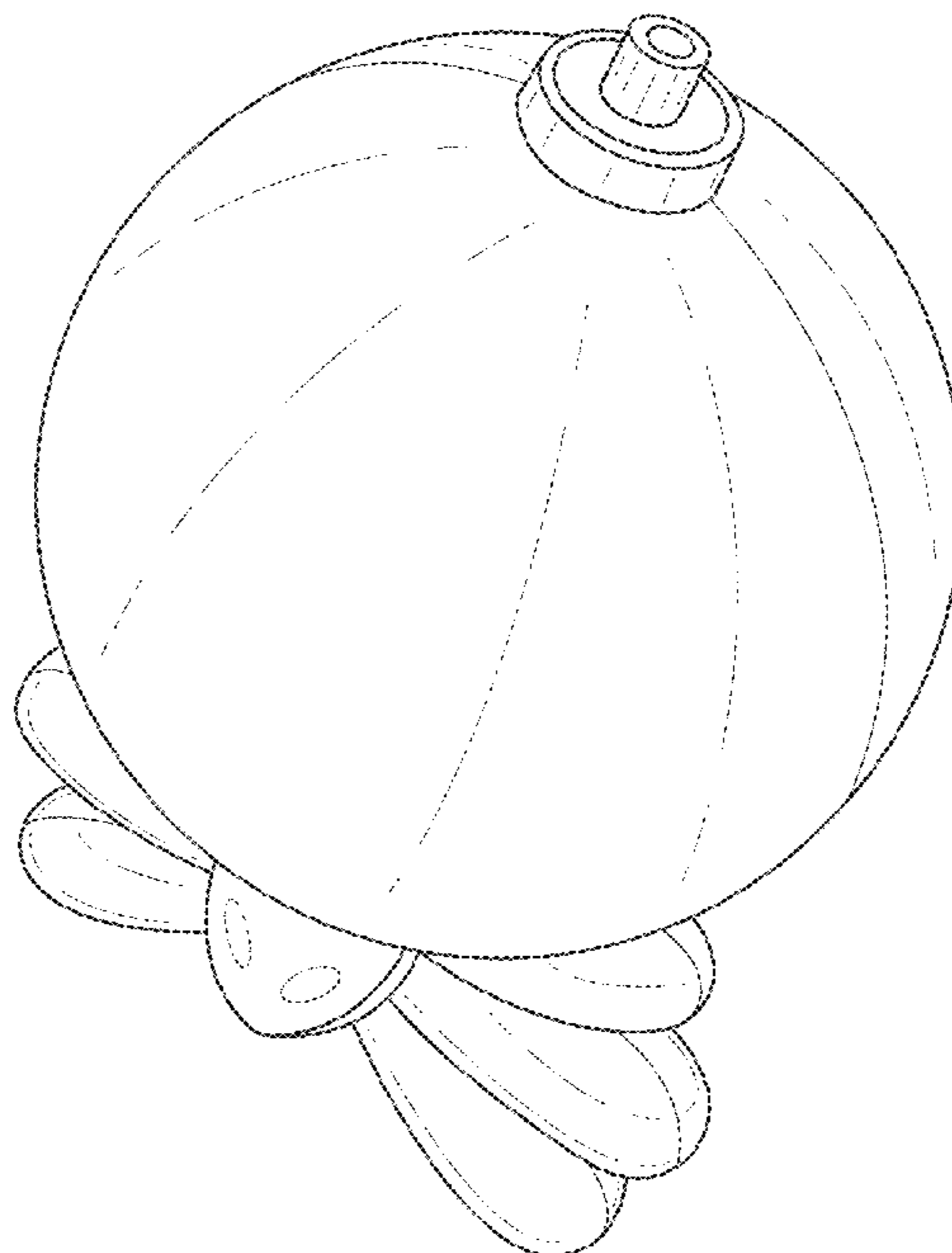




FIG. 1

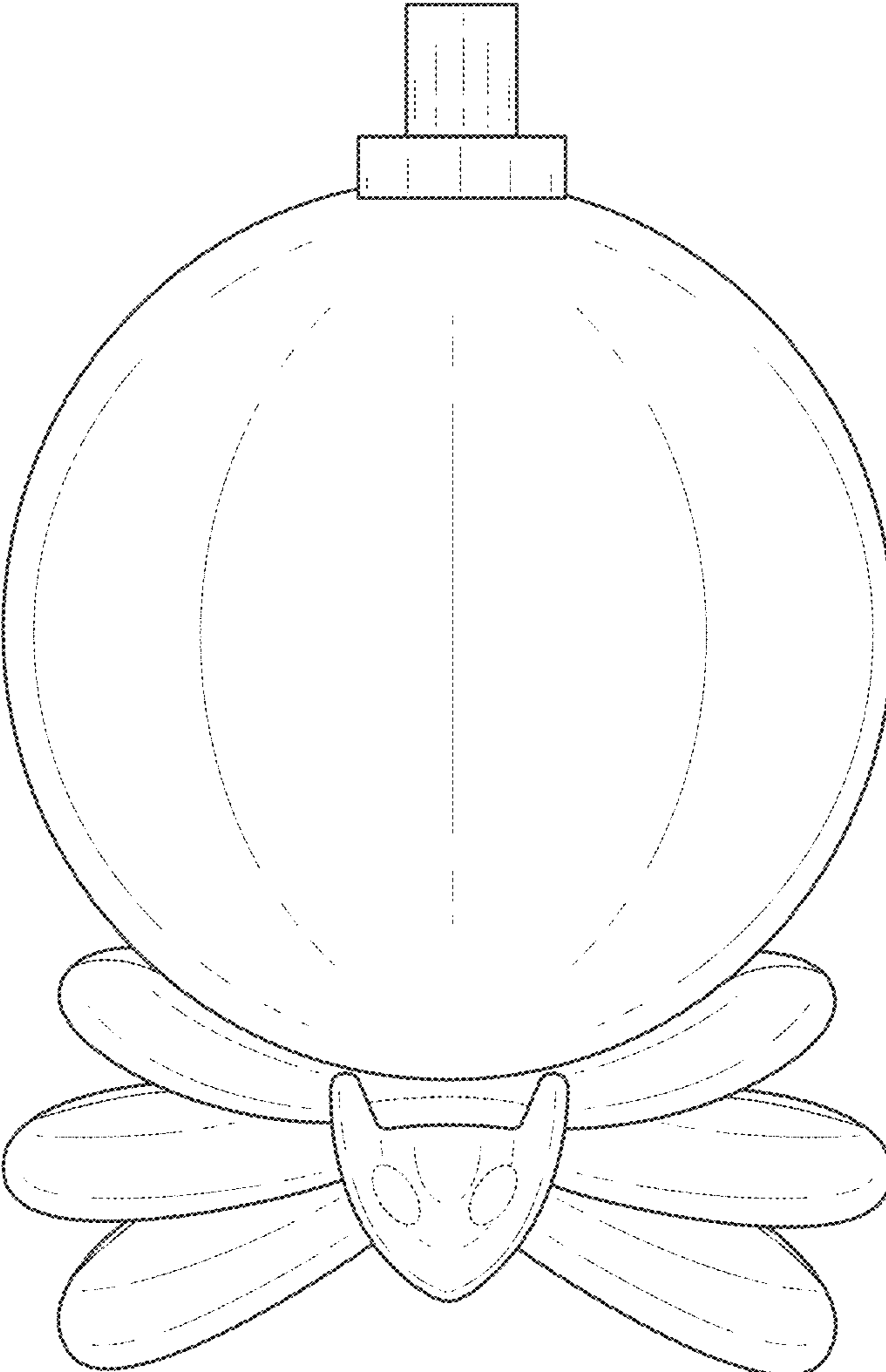


FIG. 2

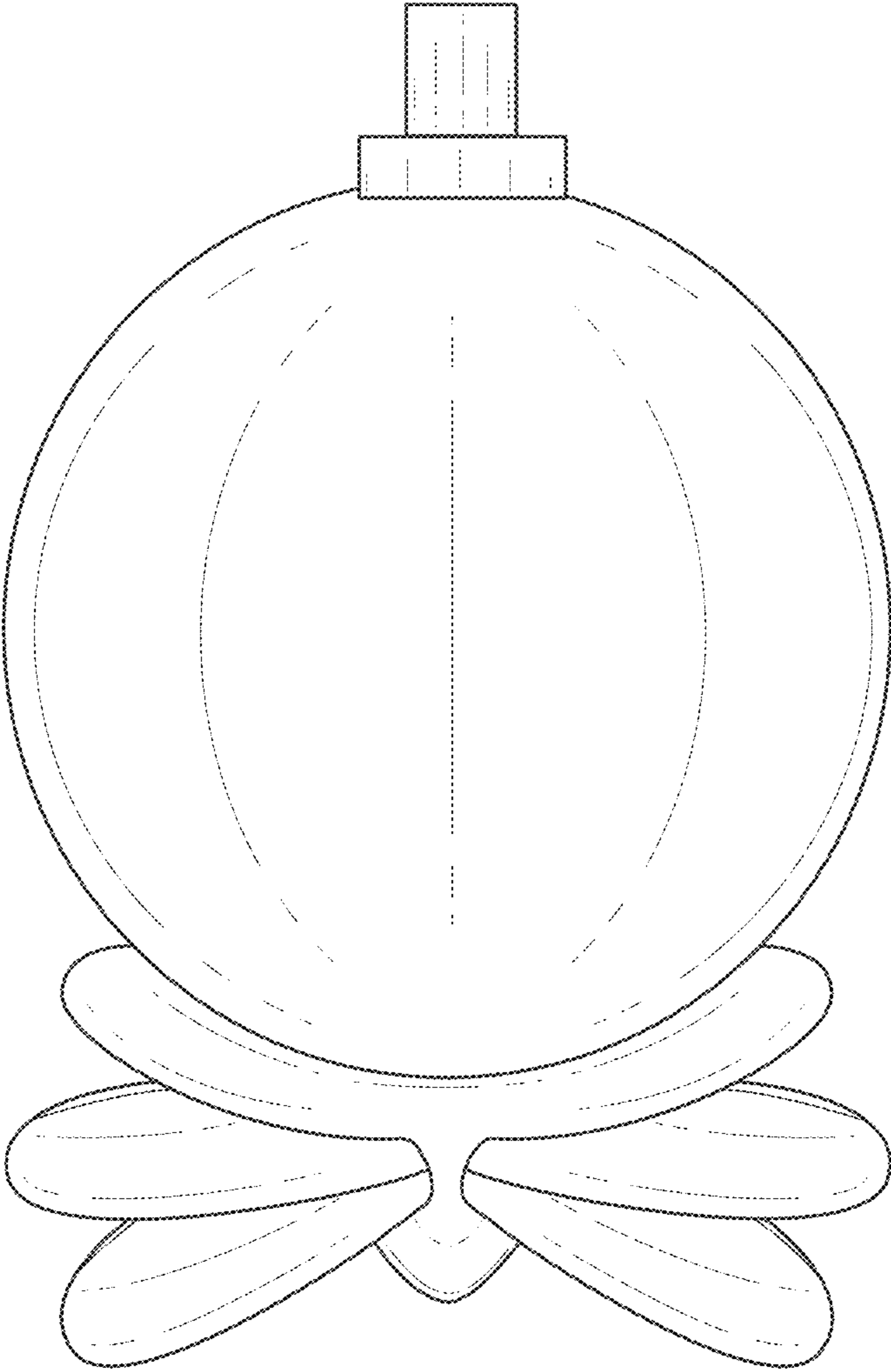


FIG. 3

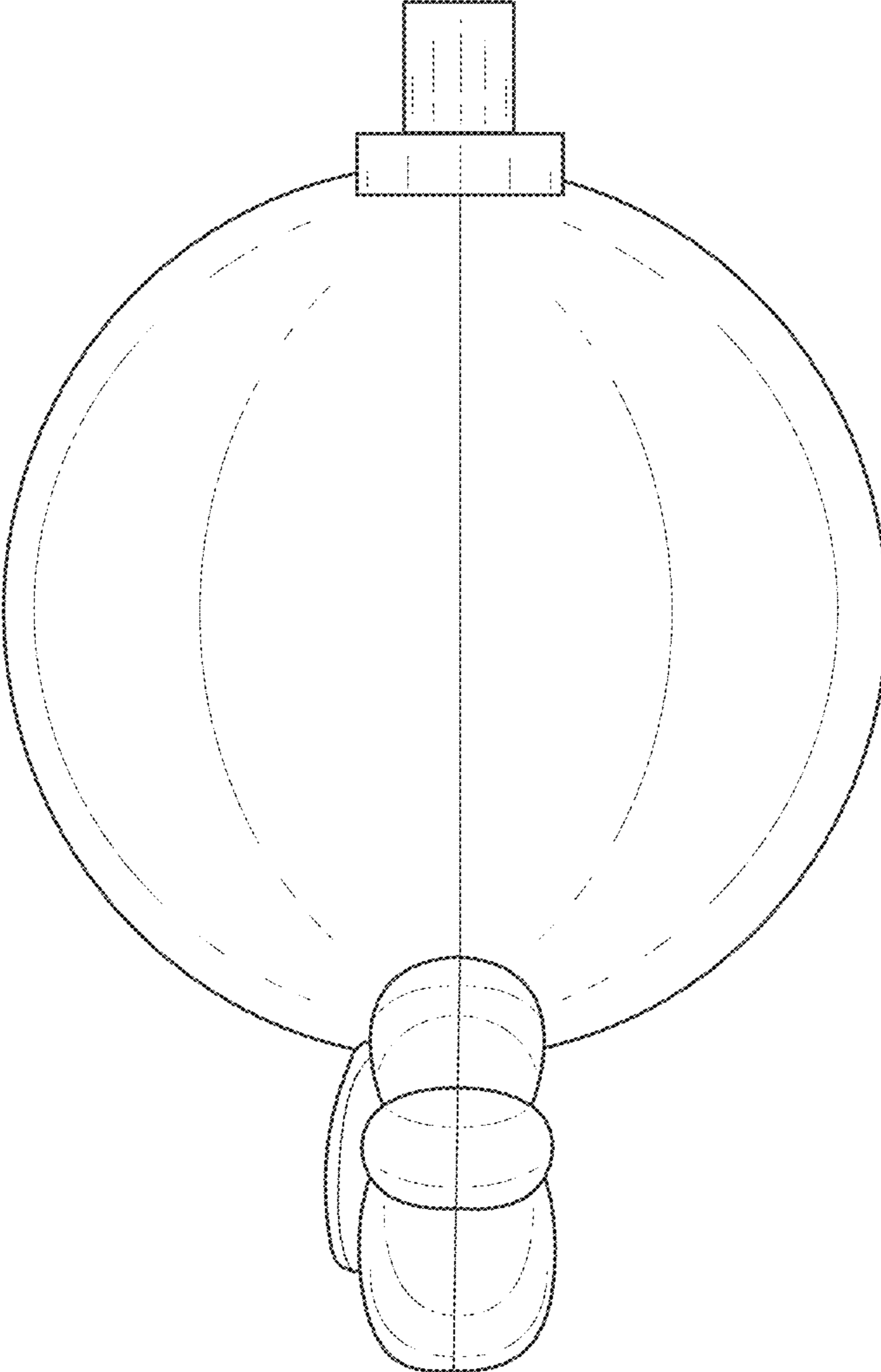


FIG. 4

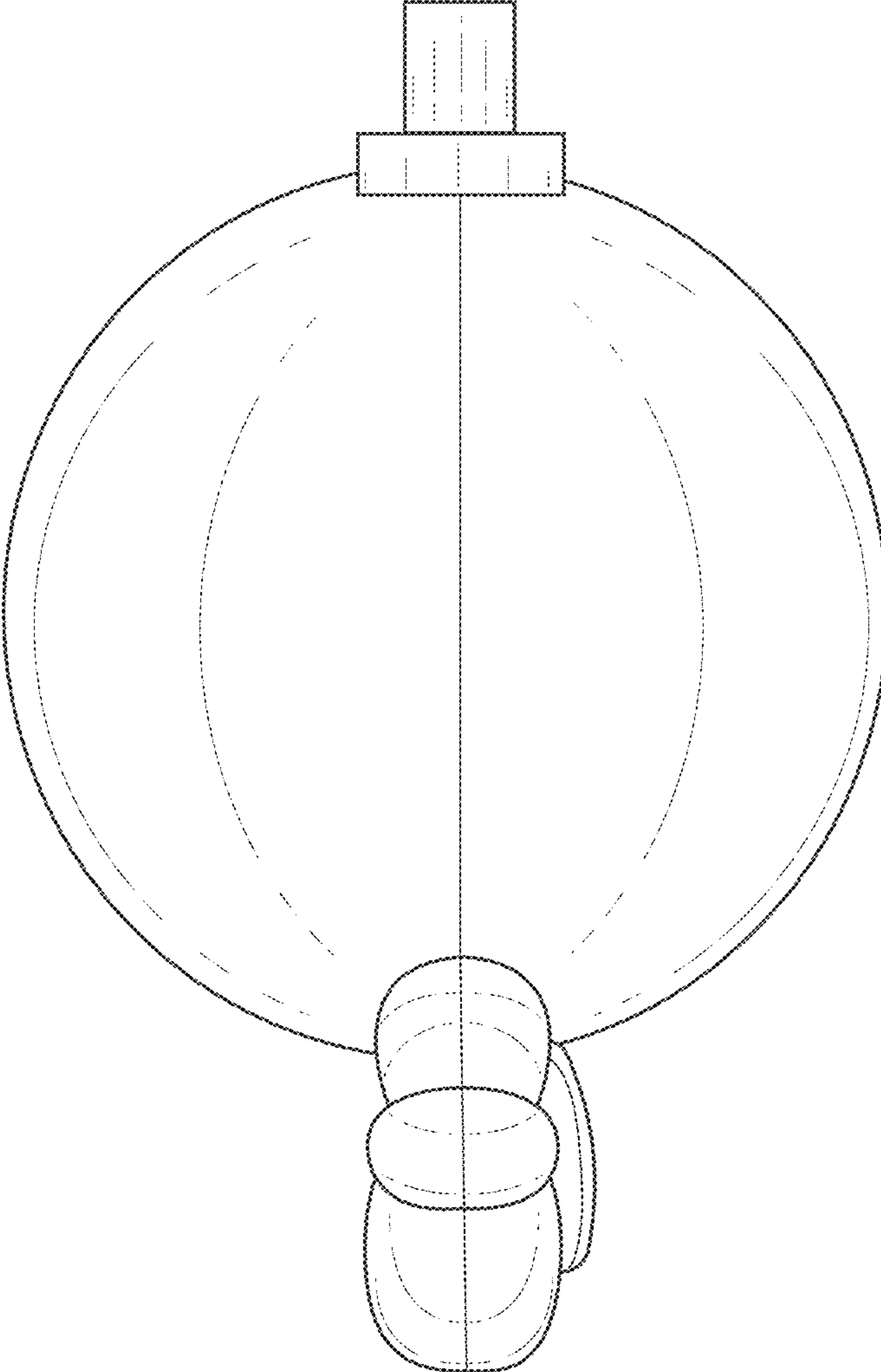


FIG. 5

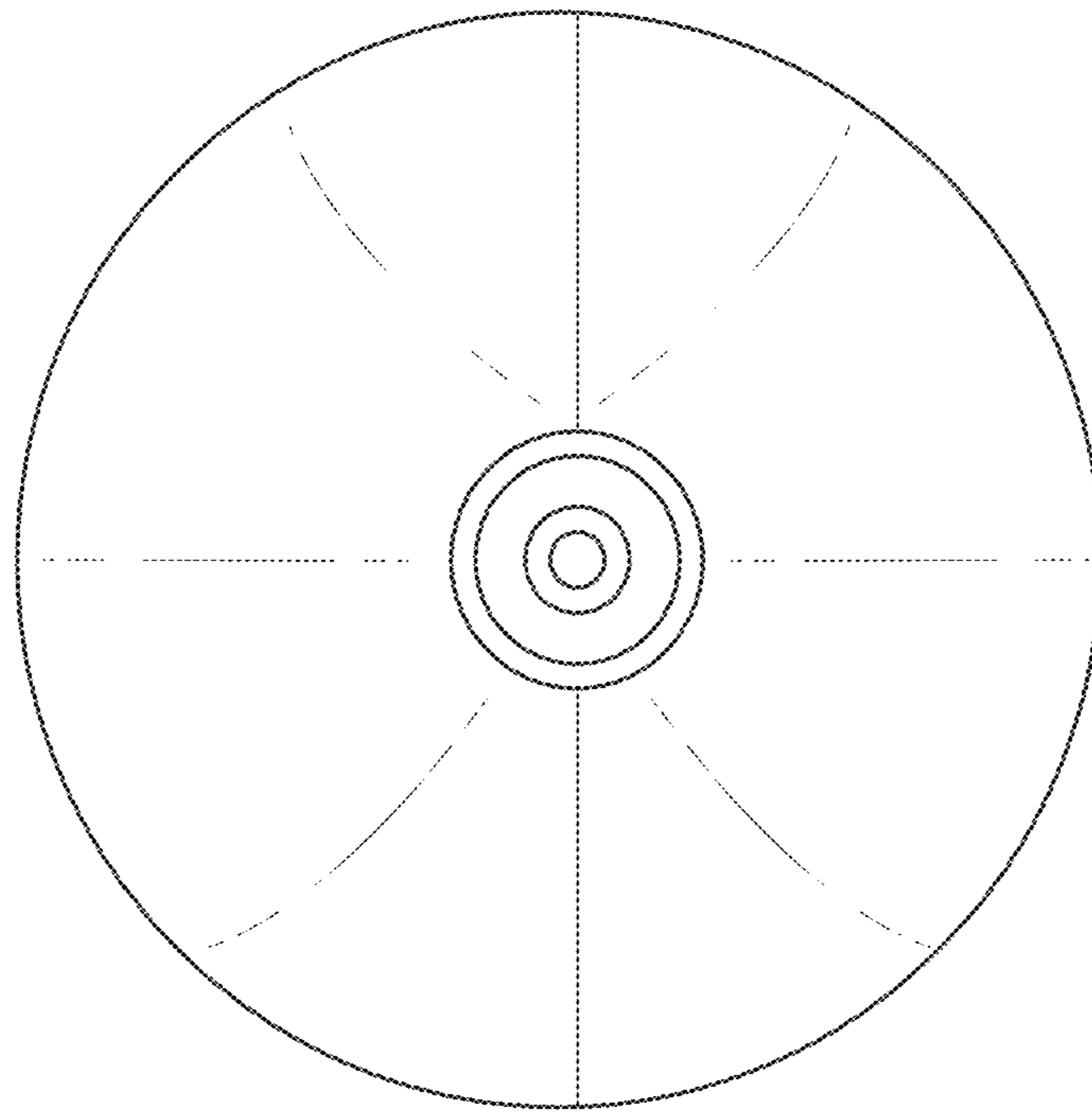


FIG. 6

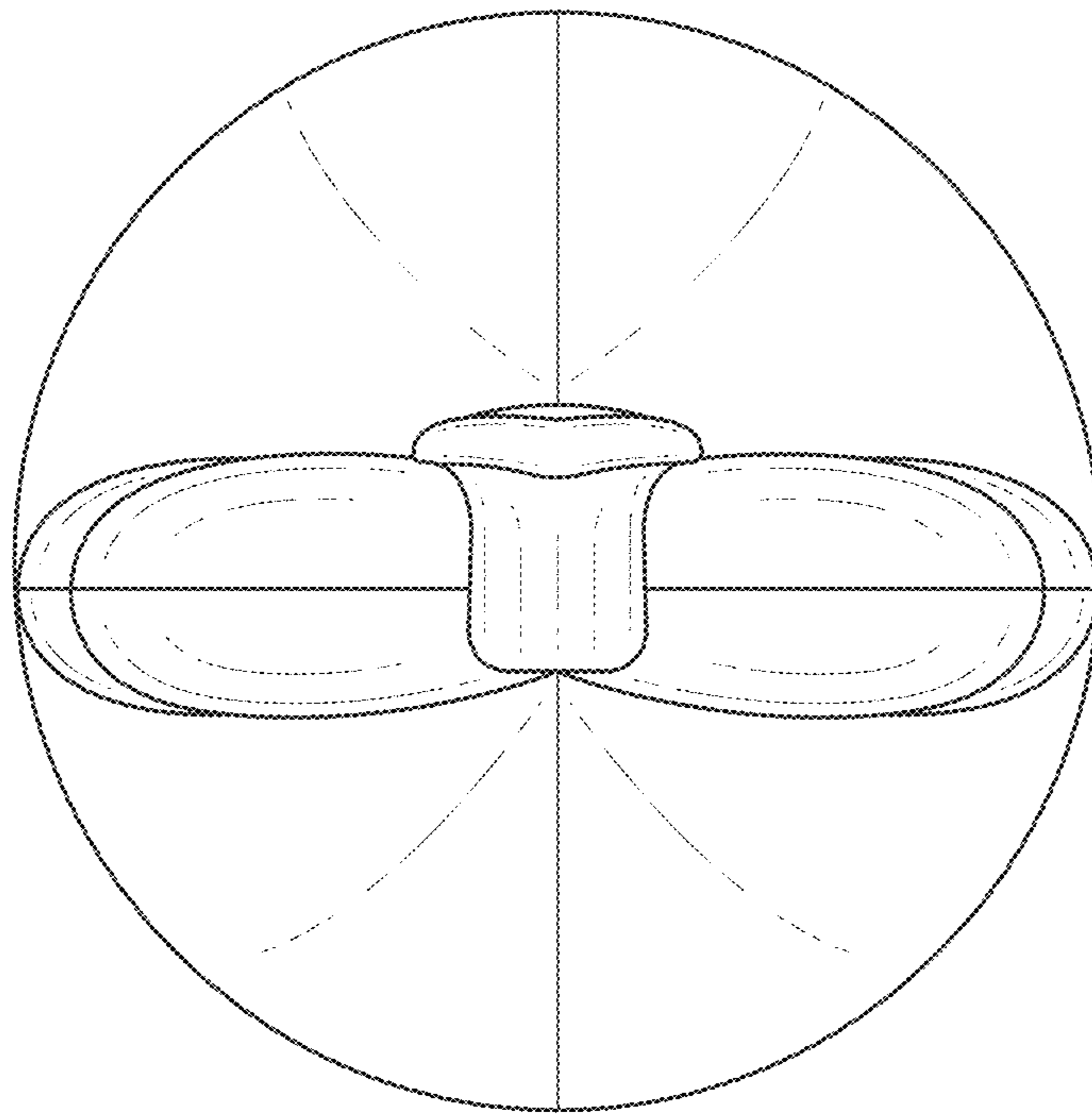


FIG. 7