

US00D976452S

(12) **United States Design Patent**
Zhu

(10) **Patent No.:** **US D976,452 S**
(45) **Date of Patent:** **** Jan. 24, 2023**

(54) **LED LIGHT**
(71) Applicant: **Kejian Zhu**, Linhai (CN)
(72) Inventor: **Kejian Zhu**, Linhai (CN)
(*) Notice: Patent file contains an affidavit/declaration under 37 CFR 1.130(b).
(**) Term: **15 Years**

D748,299 S * 1/2016 Tunno D26/25
D778,468 S 2/2017 van der Lande
D832,736 S * 11/2018 Khubani D11/121
(Continued)

FOREIGN PATENT DOCUMENTS

EM 008268841-0001 * 11/2020
EM 008469241-0002 * 3/2021

OTHER PUBLICATIONS

WeRChristmas Pre-Lit LED Christmas Tree, May 25, 2016, Amazon.co.uk, site visited Jun. 24, 2022, url: <https://www.amazon.co.uk/dp/B01G5LZRG4> (Year: 2016).*

(Continued)

Primary Examiner — Nathan M Johnston

(57) **CLAIM**

The ornamental design for an LED light, as shown and described.

DESCRIPTION

FIG. 1 is a perspective view of an LED light showing my new design;
FIG. 2 is another perspective view thereof;
FIG. 3 is a front elevational view thereof;
FIG. 4 is a rear elevational view thereof;
FIG. 5 is a left side elevational view thereof;
FIG. 6 is a right side elevational view thereof;
FIG. 7 is a top plan view thereof;
FIG. 8 is a bottom plan view thereof;
FIG. 9 is an enlarged view of portion 9 shown in FIG. 2;
FIG. 10 is an enlarged view of portion 10 shown in FIG. 2;
and,
FIG. 11 is an enlarged view of portion 11 shown in FIG. 3.
The dash-dash broken lines in the drawings depict portions of the LED light that form no part of the claimed design. The dot-dash broken lines represent boundaries of the enlarged portions and form no part of the claimed design.

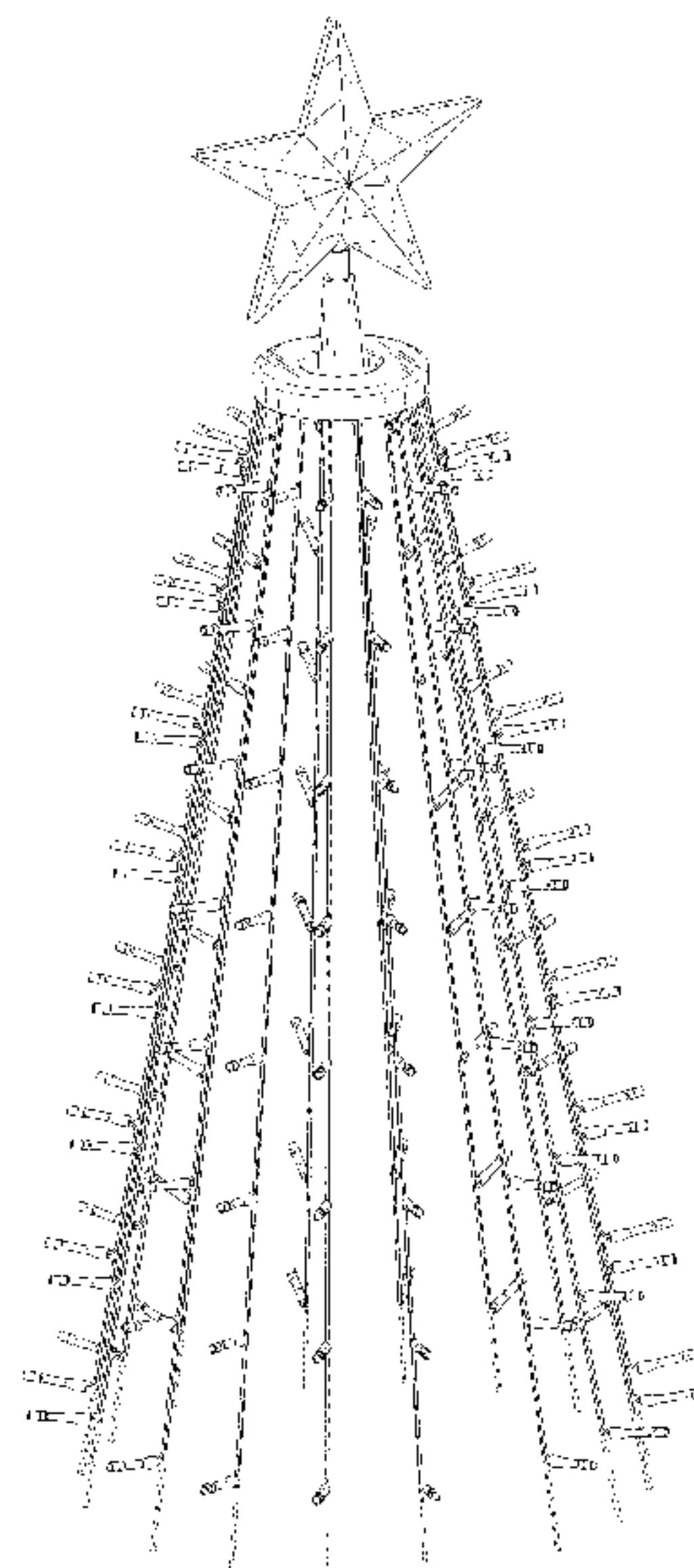
1 Claim, 11 Drawing Sheets

(21) Appl. No.: **29/803,487**
(22) Filed: **Aug. 12, 2021**
(51) **LOC (14) Cl.** **26-04**
(52) **U.S. Cl.**
USPC **D26/25**
(58) **Field of Classification Search**
USPC D26/1, 2, 4, 24, 25, 27, 113, 118, 125;
D11/121, 125, 130
CPC F21S 4/00; F21S 4/10; F21S 4/15; F21S
4/20; F21K 9/00; F21W 2121/00; F21W
2121/04; A44C 15/0015
See application file for complete search history.

(56) **References Cited**

U.S. PATENT DOCUMENTS

D287,769 S * 1/1987 Davis A47G 33/06
D11/119
5,359,502 A * 10/1994 Cantin A47G 33/06
362/123
D358,673 S * 5/1995 Thompson D11/124
D406,667 S * 3/1999 Byers D11/124
D415,583 S * 10/1999 Byers D11/124
6,027,228 A * 2/2000 Adams F21V 21/0824
362/249.11
6,334,694 B1 * 1/2002 Huang F21S 4/10
362/123
6,652,927 B1 * 11/2003 Chen F21S 4/10
428/9
D498,171 S 11/2004 Webster



(56)

References Cited

U.S. PATENT DOCUMENTS

D880,022 S * 3/2020 Gong D26/25
 D910,889 S * 2/2021 Zhou D26/25
 D917,083 S * 4/2021 Zhou F21S 4/10
 D917,084 S * 4/2021 Zhou D26/25
 D921,936 S * 6/2021 Zhou D26/25
 D925,077 S * 7/2021 Yang D26/25
 D925,783 S * 7/2021 Xiao D26/25
 D935,648 S * 11/2021 Shi D26/25
 D935,681 S * 11/2021 Gong D26/81
 D938,627 S * 12/2021 Li F21S 4/10
 D950,113 S * 4/2022 Zhou F21V 21/0824
 D952,199 S * 5/2022 Xu D26/25

D952,200 S * 5/2022 Zhou D11/124
 2004/0100797 A1* 5/2004 Yang A47G 33/06
 362/240
 2014/0272202 A1* 9/2014 Tsai A47G 33/06
 428/8

OTHER PUBLICATIONS

Bolylight Outdoor Christmas Tree with Lights, Sep. 11, 2020, Amazon.com, site visited Jun. 24, 2022, url: <https://www.amazon.com/dp/B08HV828GL?th=1> (Year: 2020).*

Epartswide Christmas Tree Artificial Christmas Tree with Lights, Sep. 24, 2020, Amazon.com, site visited Jun. 24, 2022, url: <https://www.amazon.com/dp/B08JZ6H5QW> (Year: 2020).*

The Christmas Workshop Light-Up Star Tree Topper, Sep. 28, 2020, Amazon.co.uk, site visited Jun. 24, 2022, url: <https://www.amazon.co.uk/dp/B08K9BDGPI> (Year: 2020).*

* cited by examiner

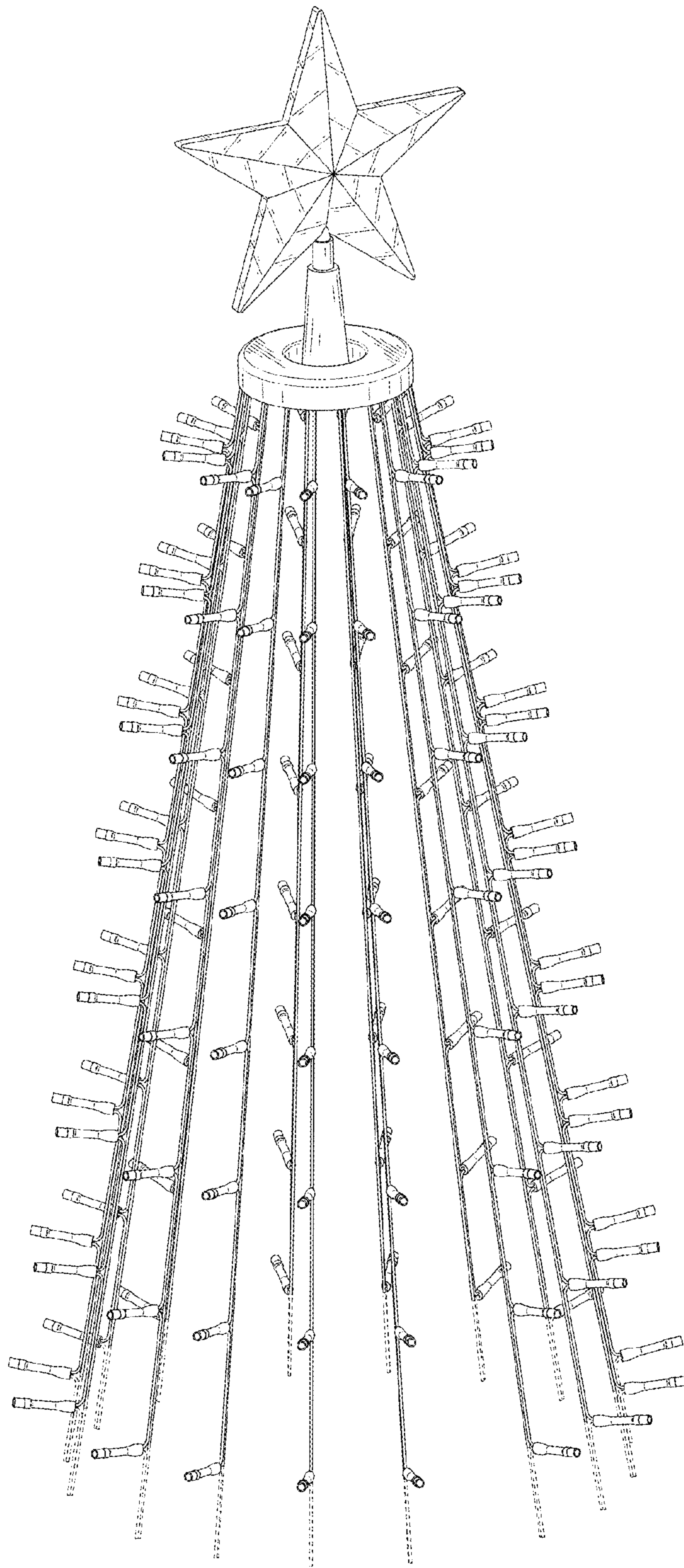


FIG. 1

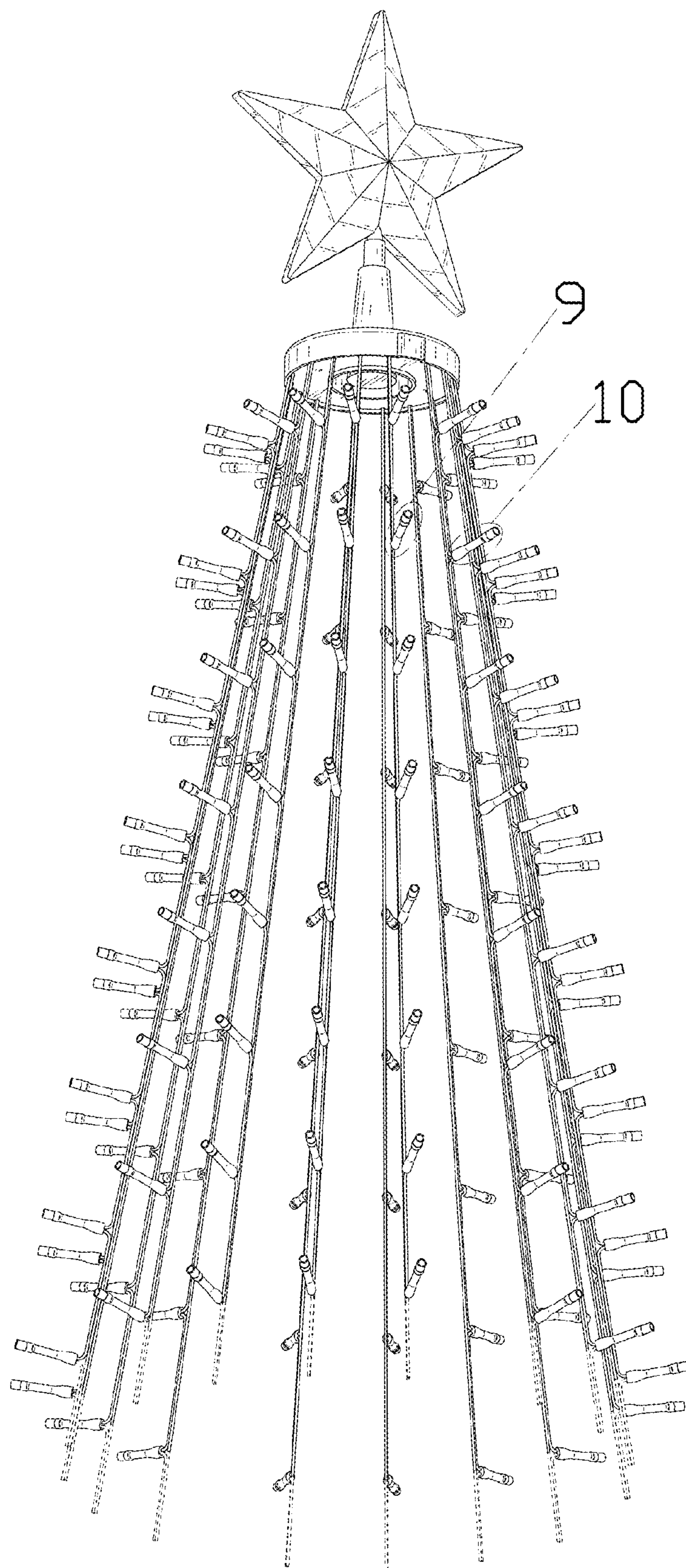


FIG. 2

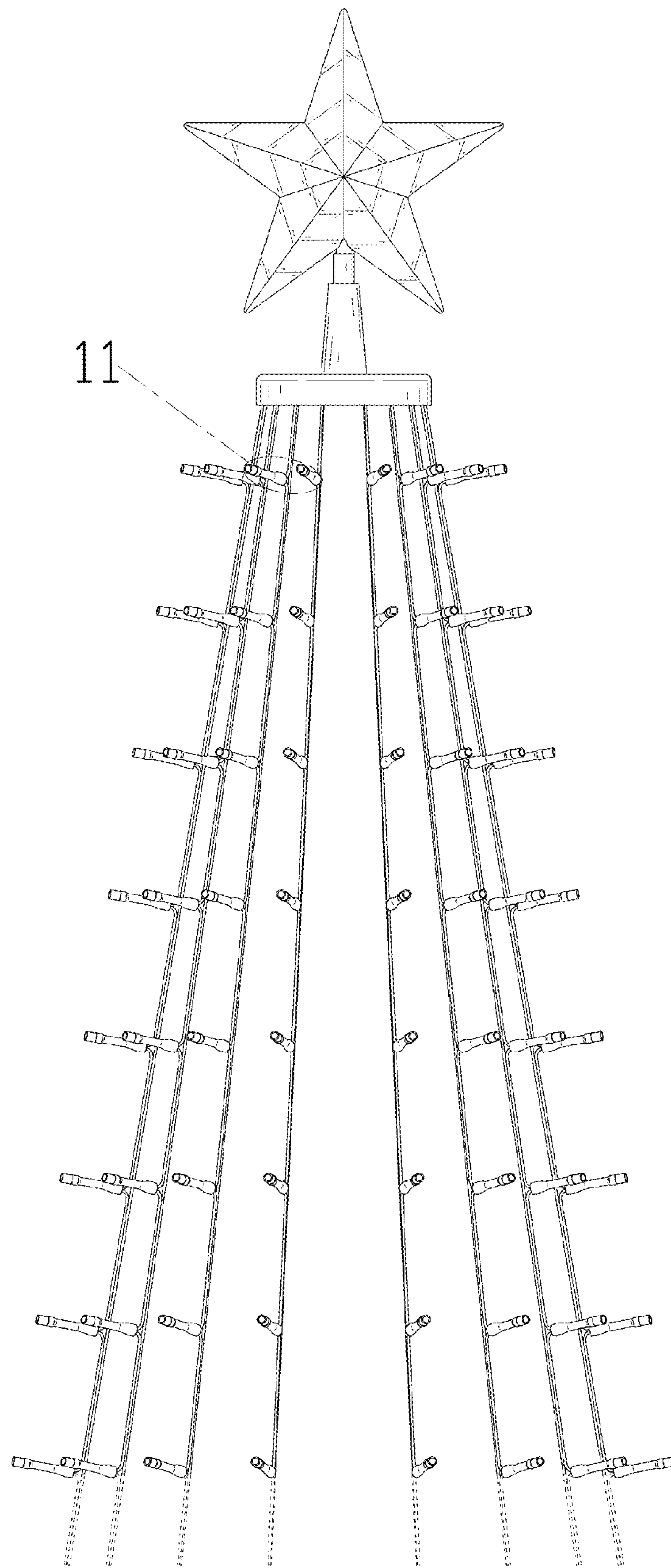


FIG. 3

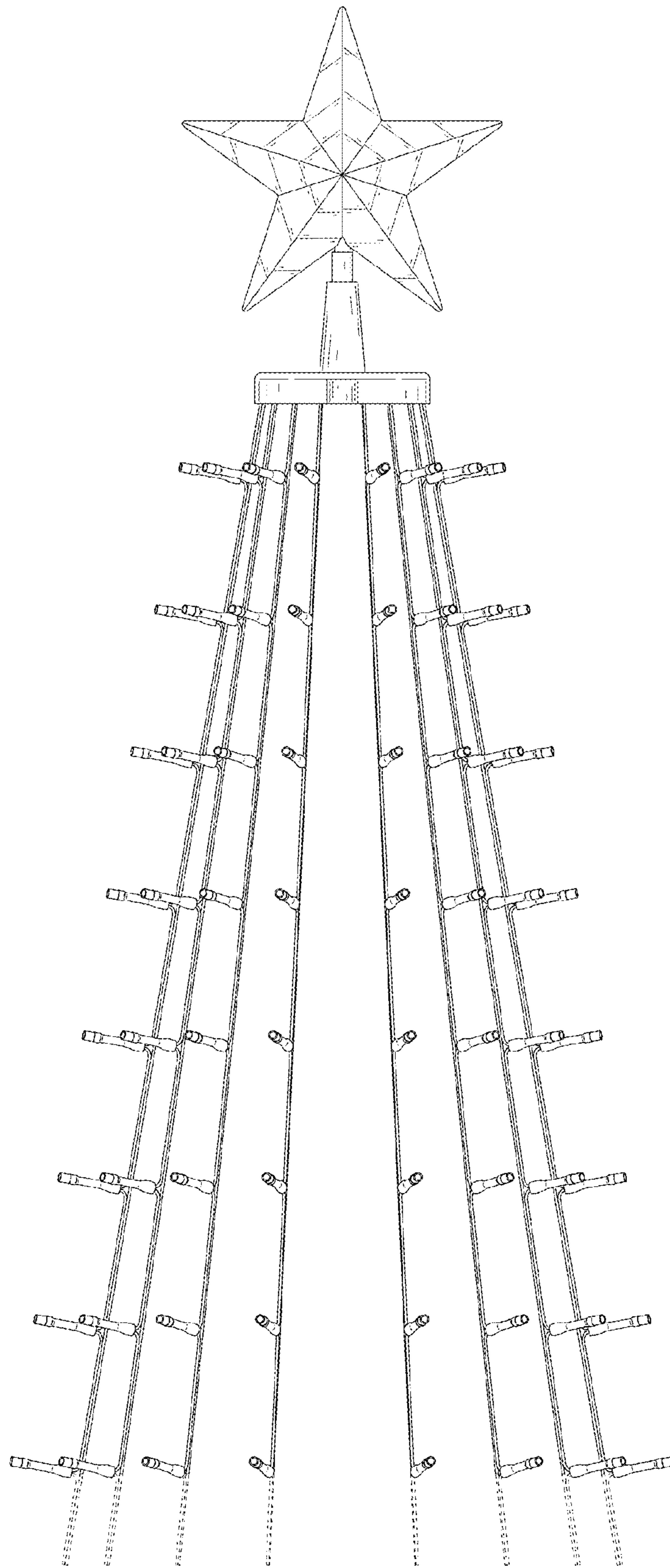


FIG. 4

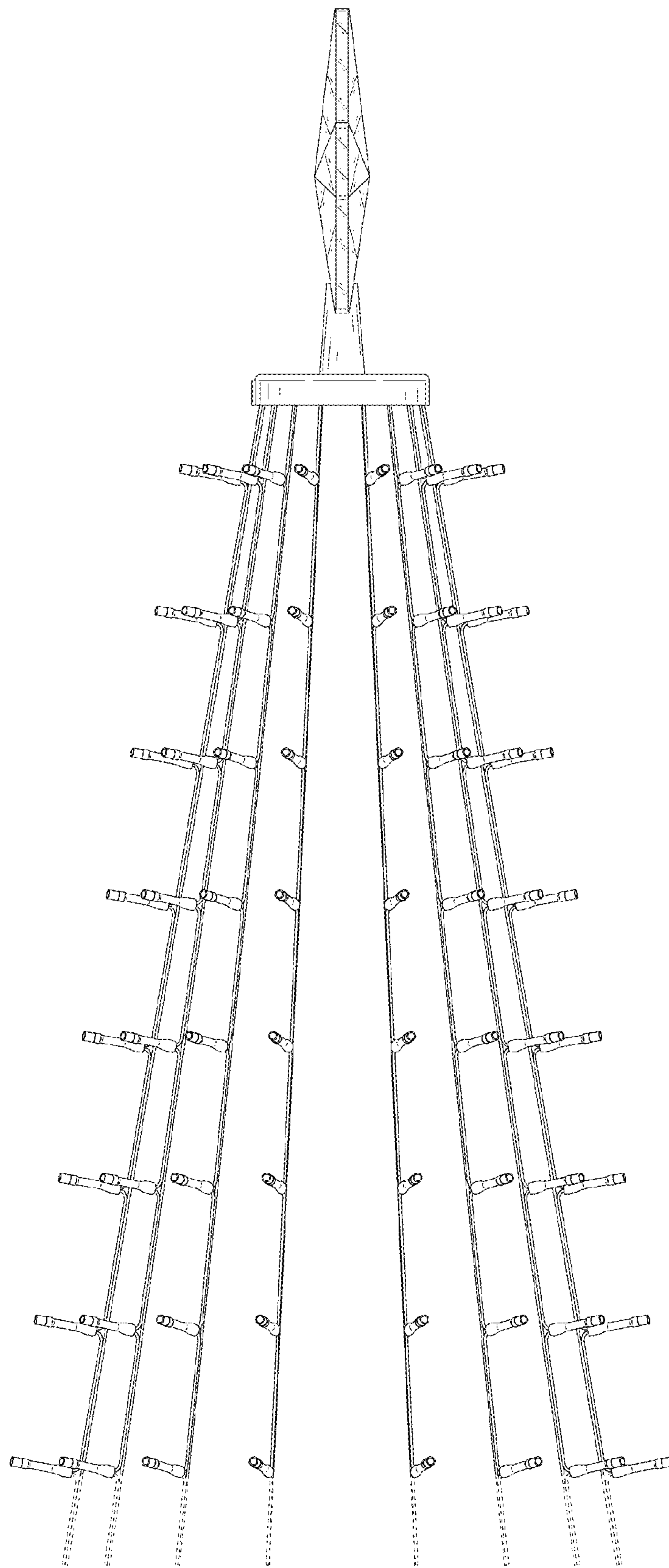


FIG. 5

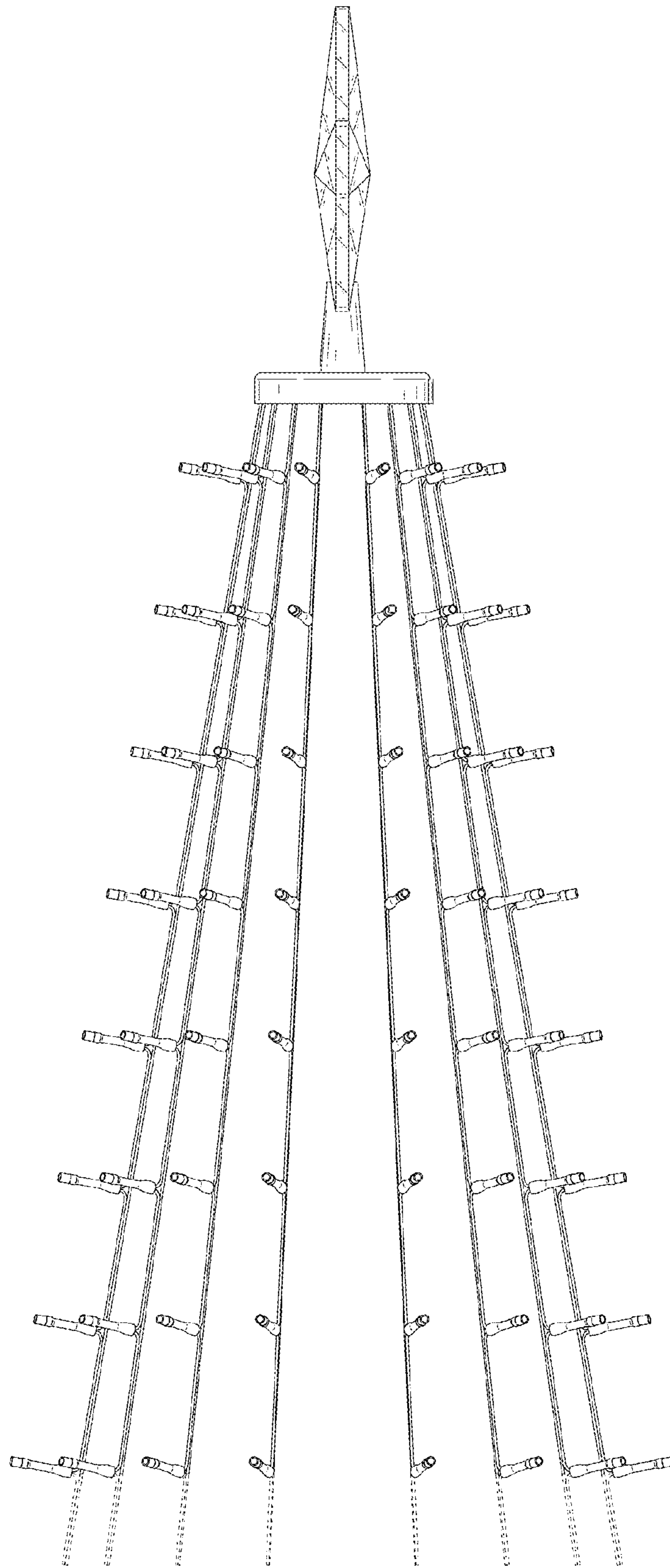


FIG. 6

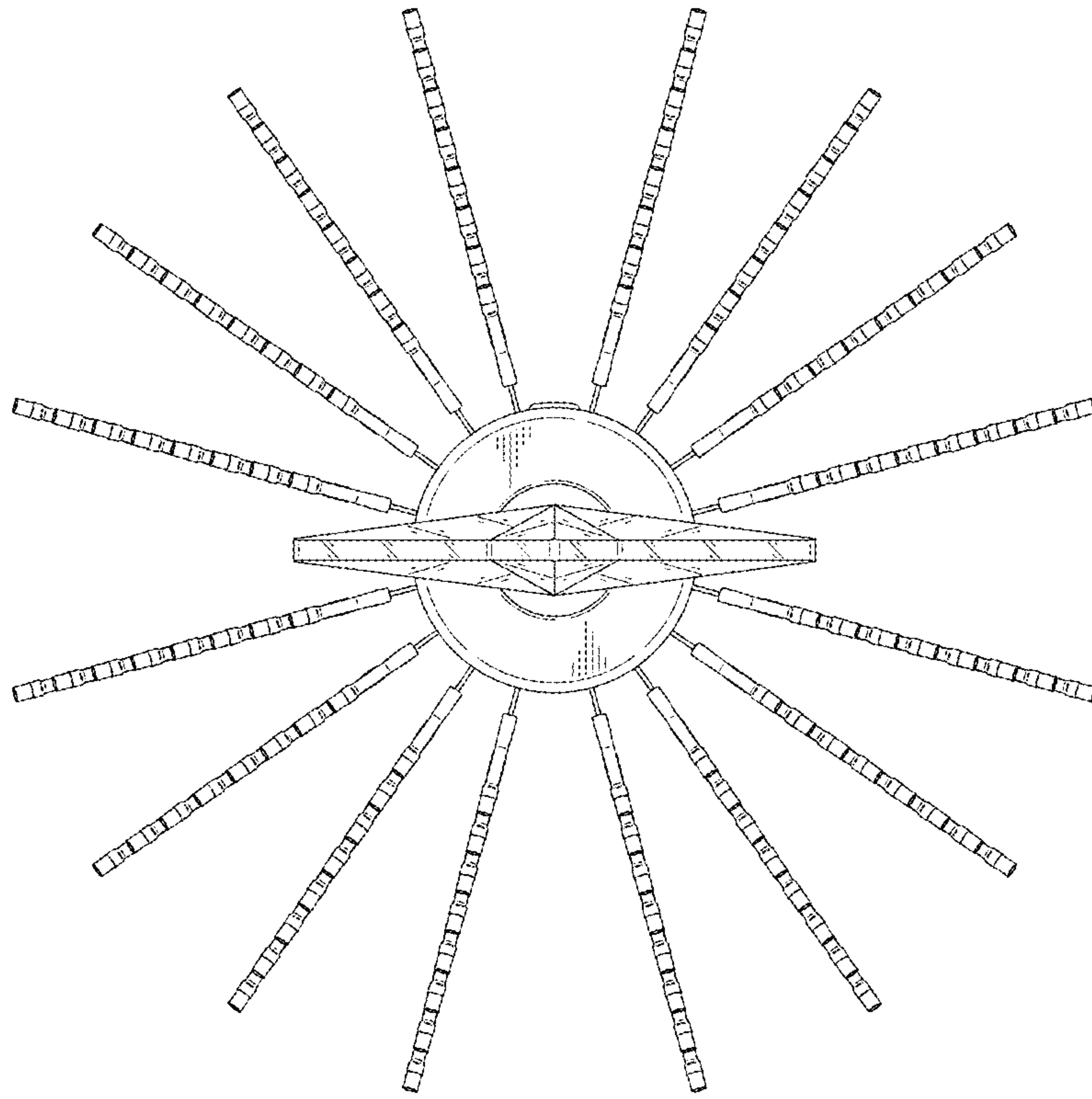


FIG. 7

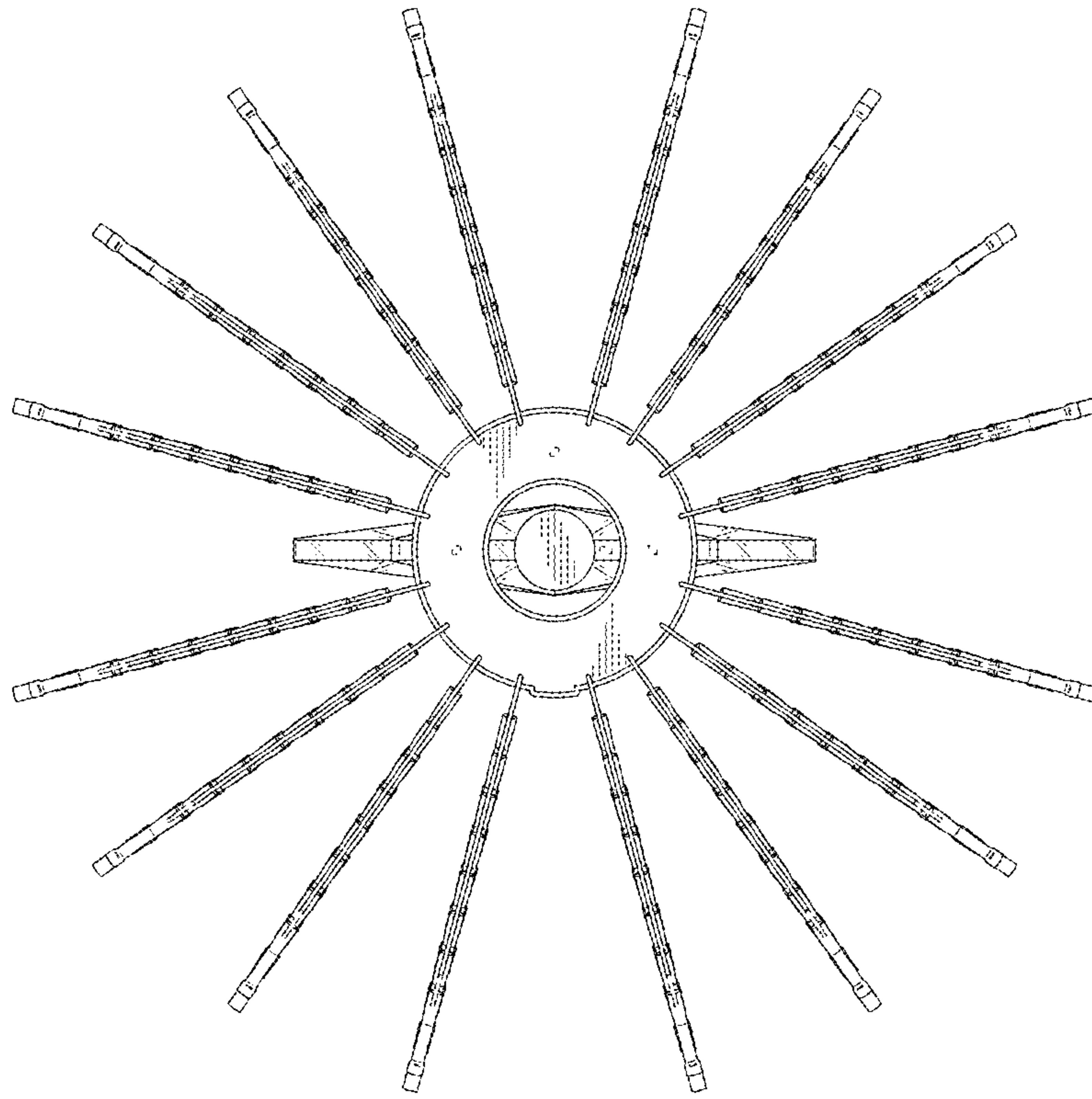


FIG. 8

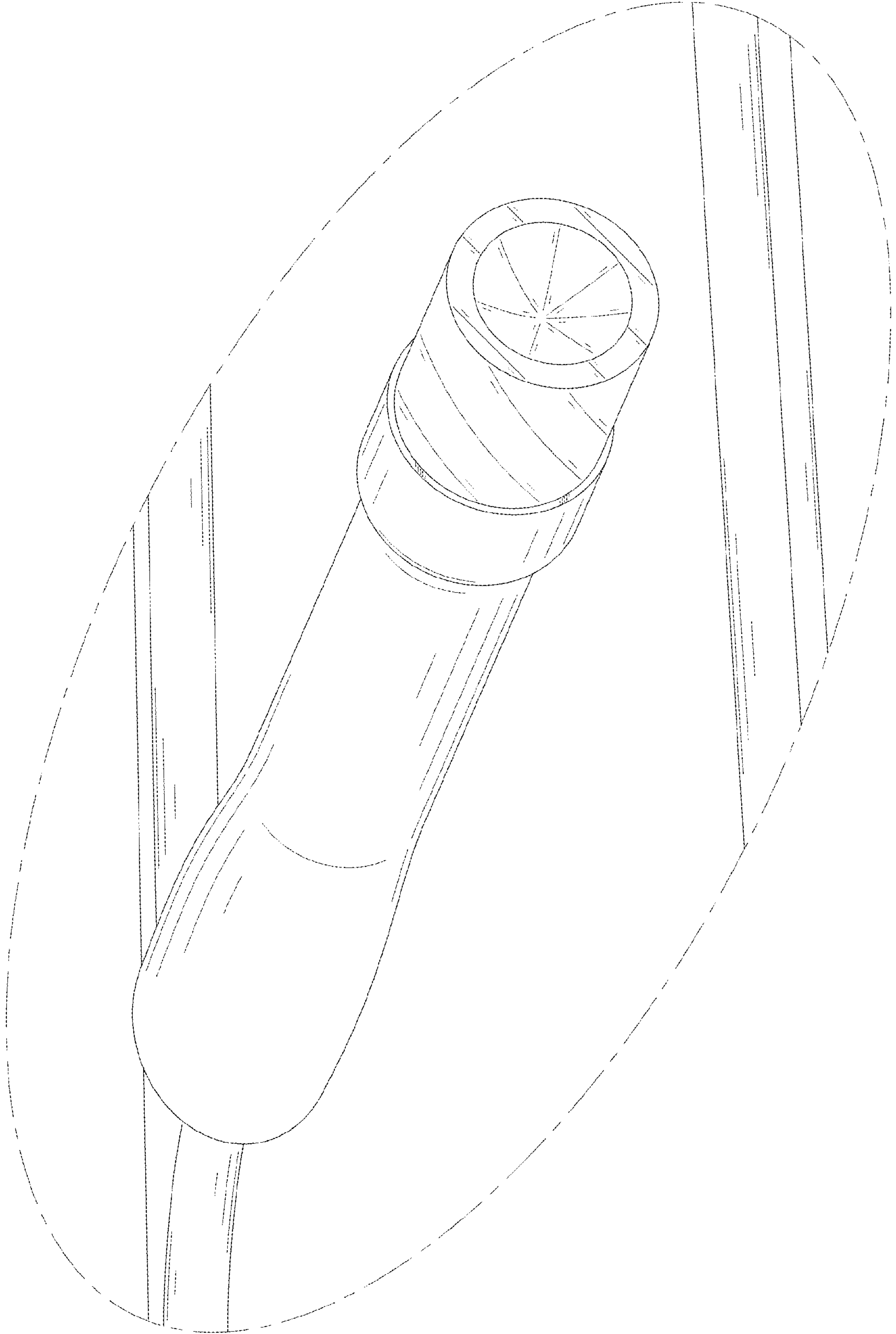


FIG. 9

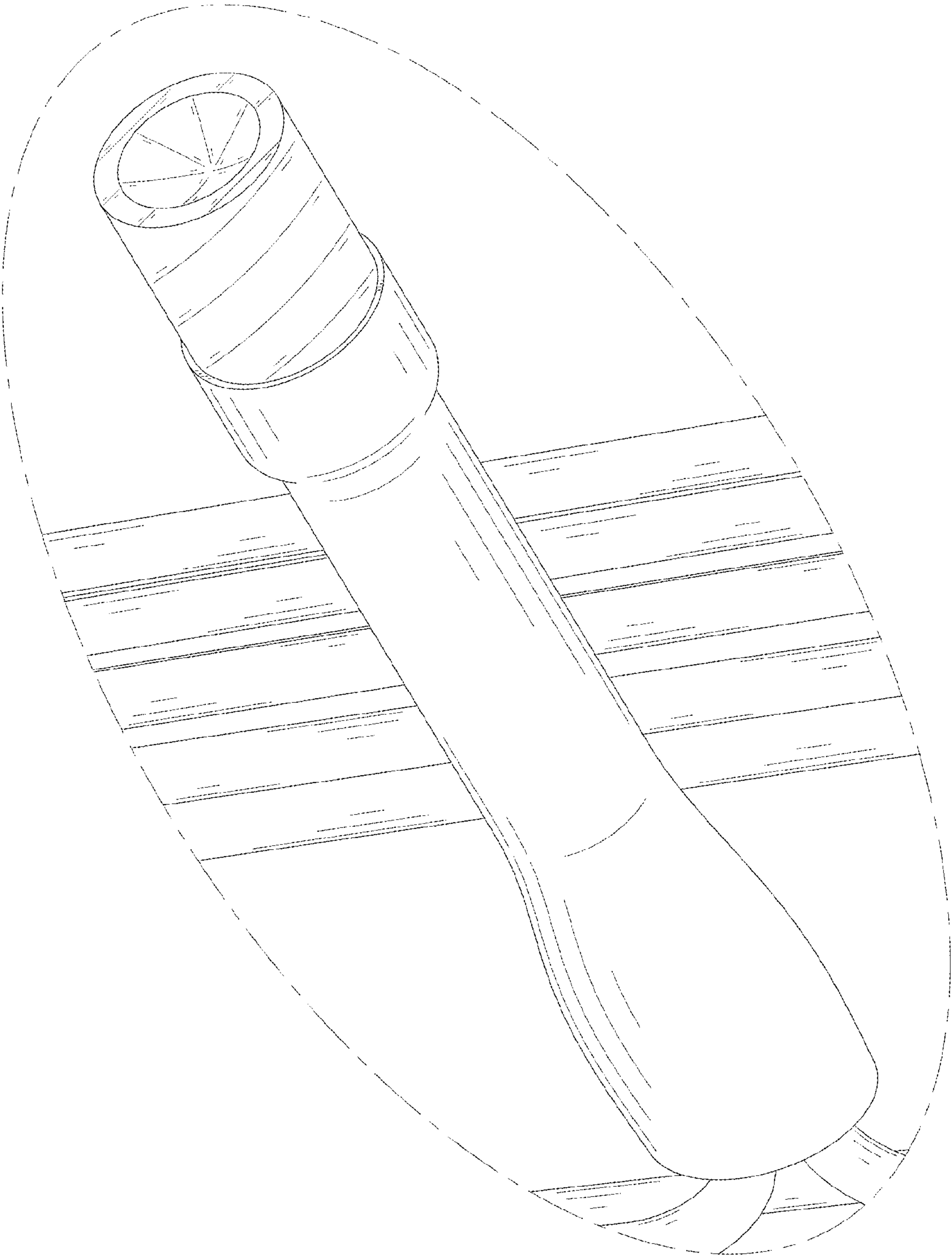


FIG. 10

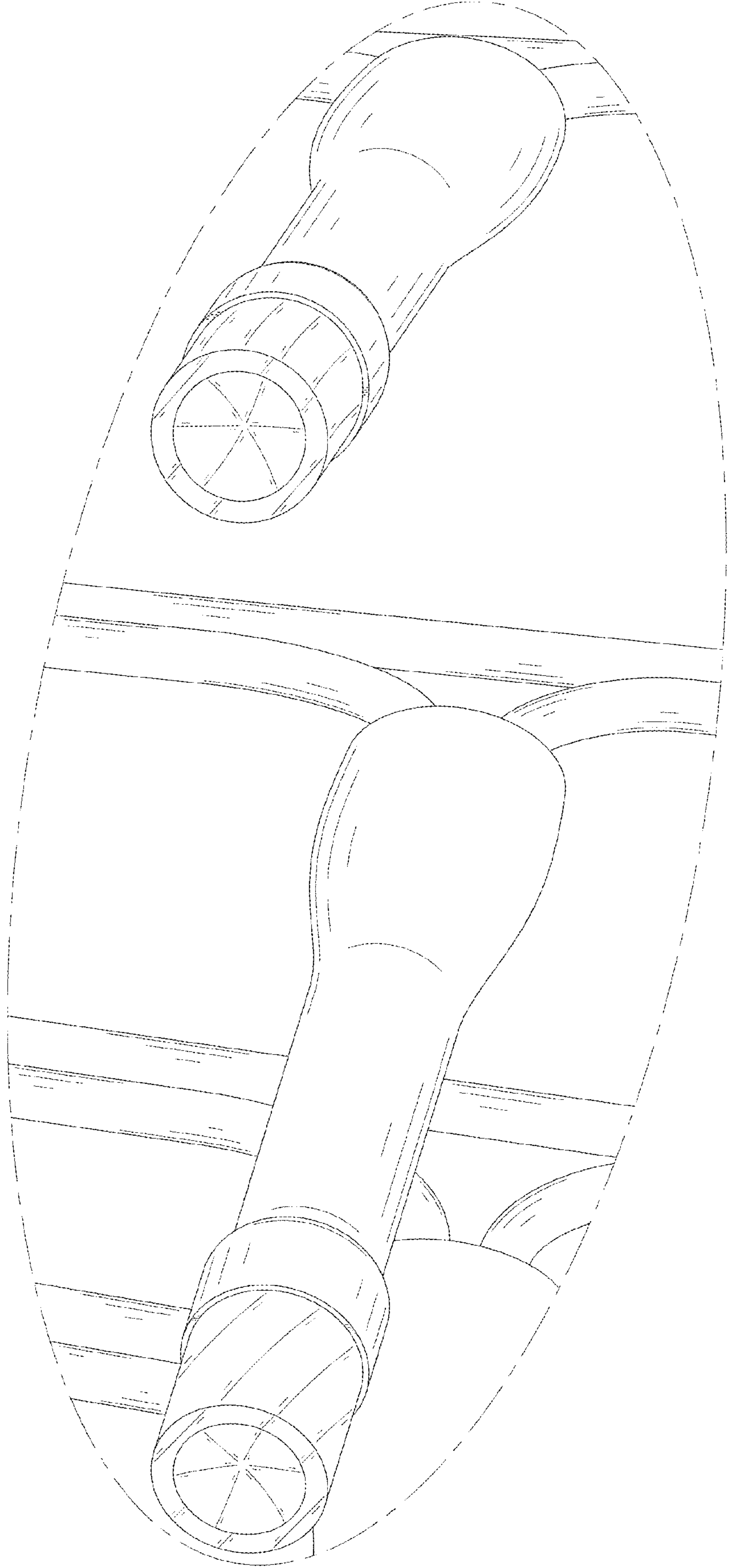


FIG. 11