



US00D976450S

(12) **United States Design Patent**
Guo

(10) **Patent No.:** **US D976,450 S**

(45) **Date of Patent:** **** Jan. 24, 2023**

(54) **LAWN LAMP**

(71) Applicant: **Guiyong Guo**, Puyang (CN)

(72) Inventor: **Guiyong Guo**, Puyang (CN)

(**) Term: **15 Years**

(21) Appl. No.: **29/838,093**

(22) Filed: **May 10, 2022**

(51) **LOC (14) Cl.** **26-03**

(52) **U.S. Cl.**
USPC **D26/24**

(58) **Field of Classification Search**
USPC D26/24, 37-44, 46, 51-52, 60-68
CPC F21Y 2115/10; F21S 9/037; F21S 9/035;
F21S 9/03; F21S 8/081; F21V 23/0414;
F21V 15/01; F21W 2131/10; F21W
2131/109; F21W 2121/00; F21W
2111/10; F21L 4/08; F21L 4/027; F21L
4/00

See application file for complete search history.

(56) **References Cited**

U.S. PATENT DOCUMENTS

D447,828 S * 9/2001 Anwyl-Davies D26/37
D604,870 S * 11/2009 Hong D26/24

D703,841 S * 4/2014 Feng D26/1
D826,441 S * 8/2018 Fuller D26/52
D835,815 S * 12/2018 Hirabayashi D26/1
D887,059 S * 6/2020 Liu D26/63
D955,023 S * 6/2022 Huang D26/60
D956,275 S * 6/2022 Zhao D26/24

* cited by examiner

Primary Examiner — Marissa J Cash

Assistant Examiner — William B Melliar

(74) *Attorney, Agent, or Firm* — Justin Lampel

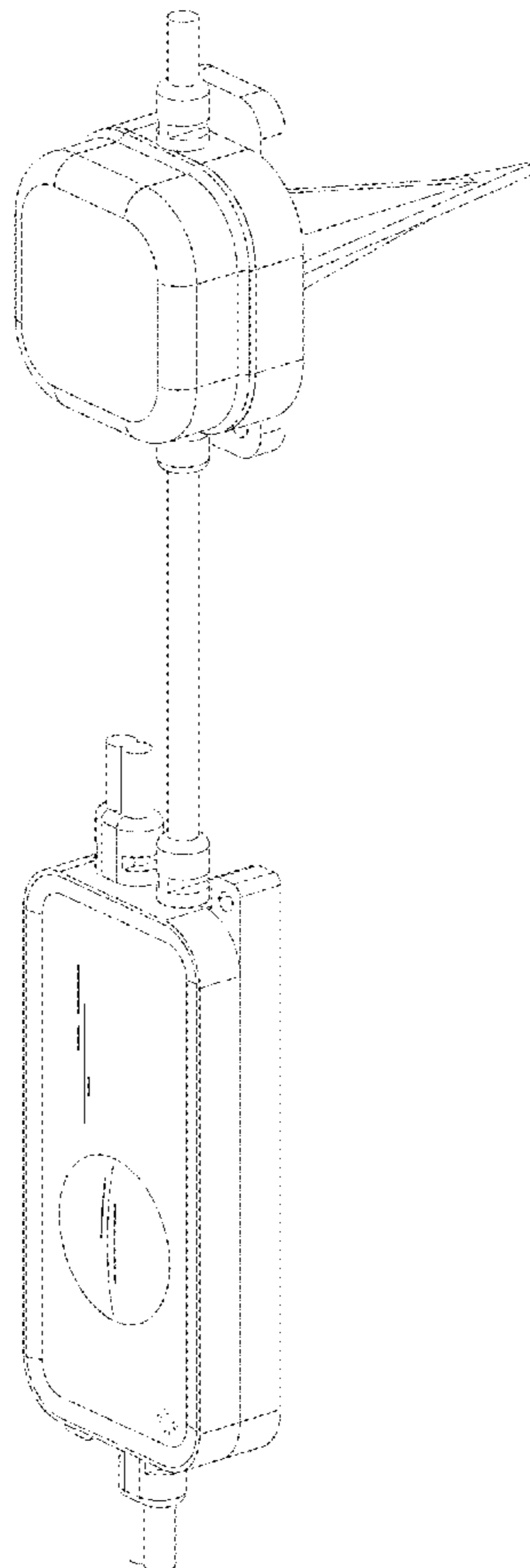
(57) **CLAIM**

The ornamental design for a lawn lamp, as shown and described.

DESCRIPTION

FIG. 1 is a perspective view of a lawn lamp showing the claimed design;
FIG. 2 is a top plan view thereof;
FIG. 3 is a rear elevational view thereof;
FIG. 4 is a left side view thereof;
FIG. 5 is a front elevational view thereof;
FIG. 6 is a right side view thereof; and,
FIG. 7 is a bottom plan view thereof.
The broken lines depict portions of the lawn lamp that form no part of the claimed design.

1 Claim, 7 Drawing Sheets



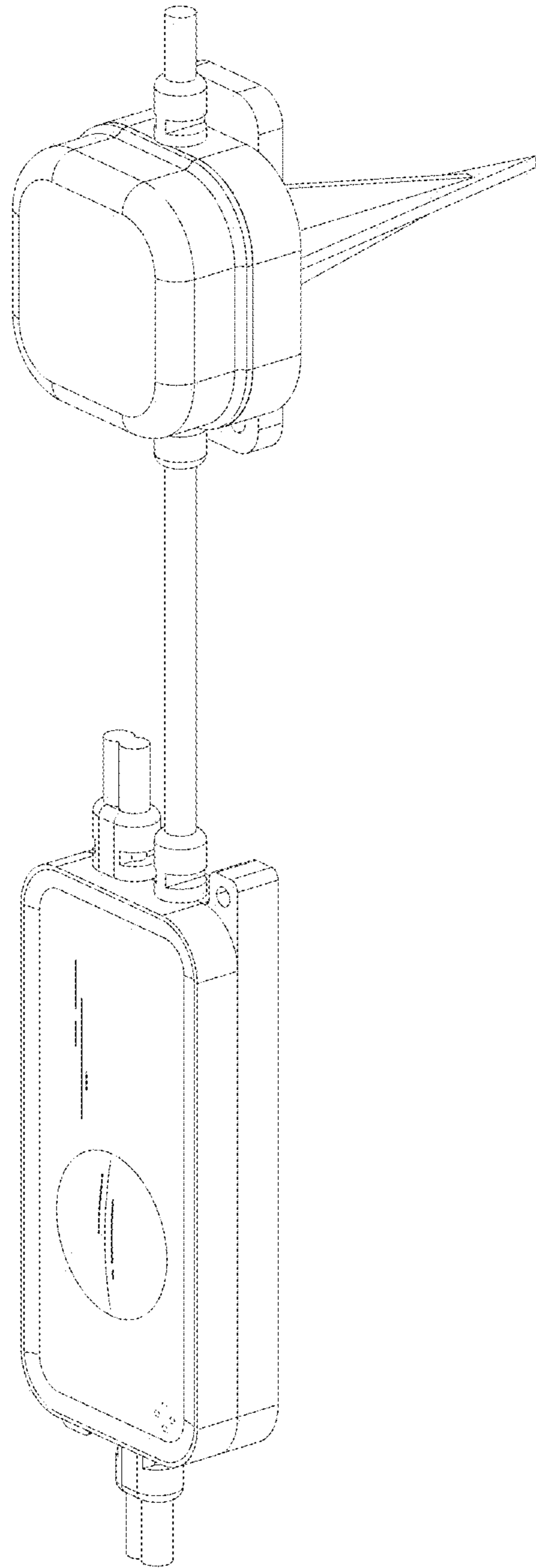


FIG.1

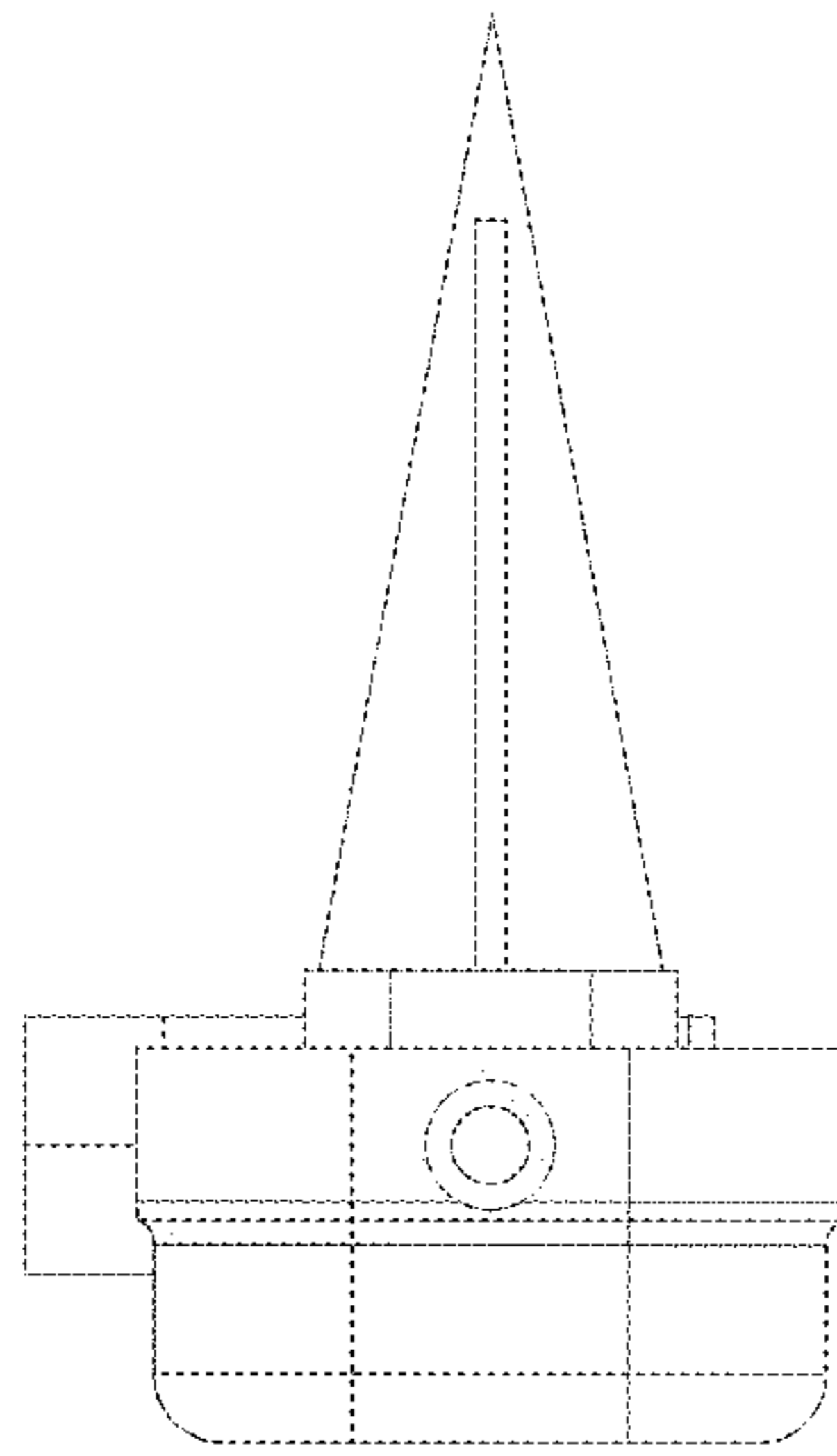


FIG. 2

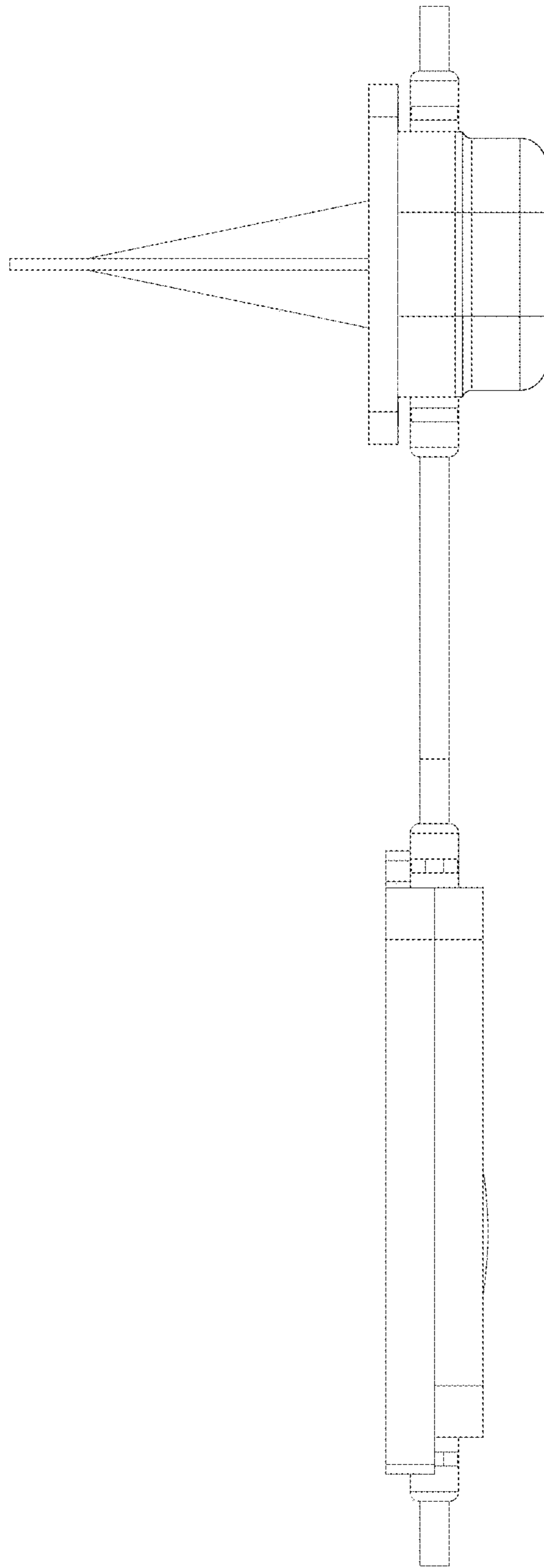


FIG. 3

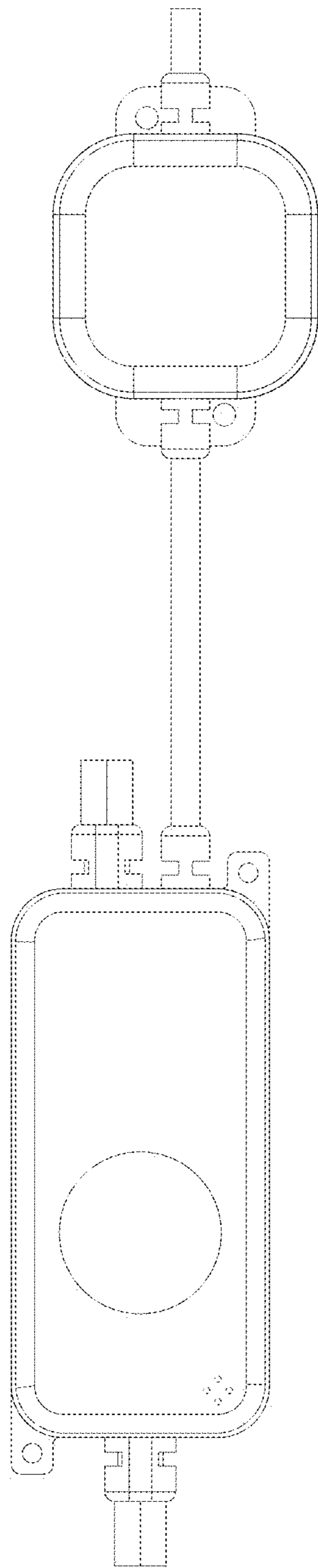


FIG. 4

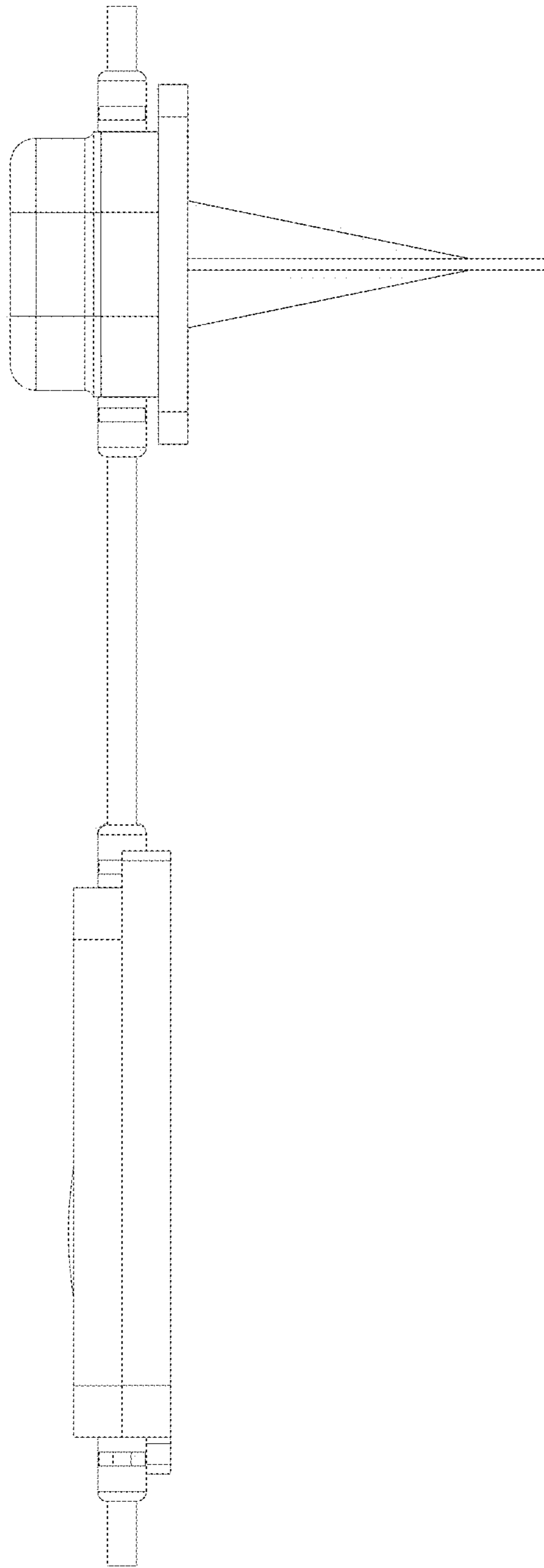


FIG.5

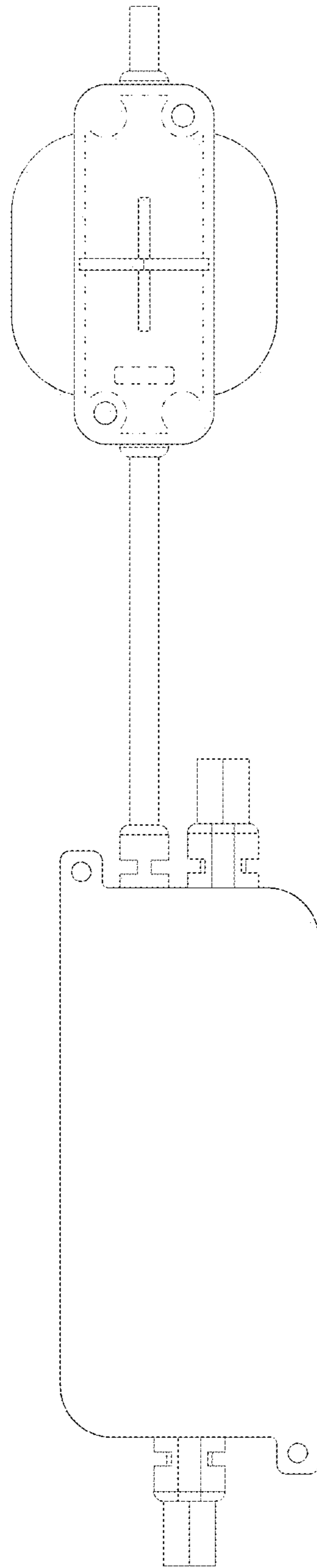


FIG. 6

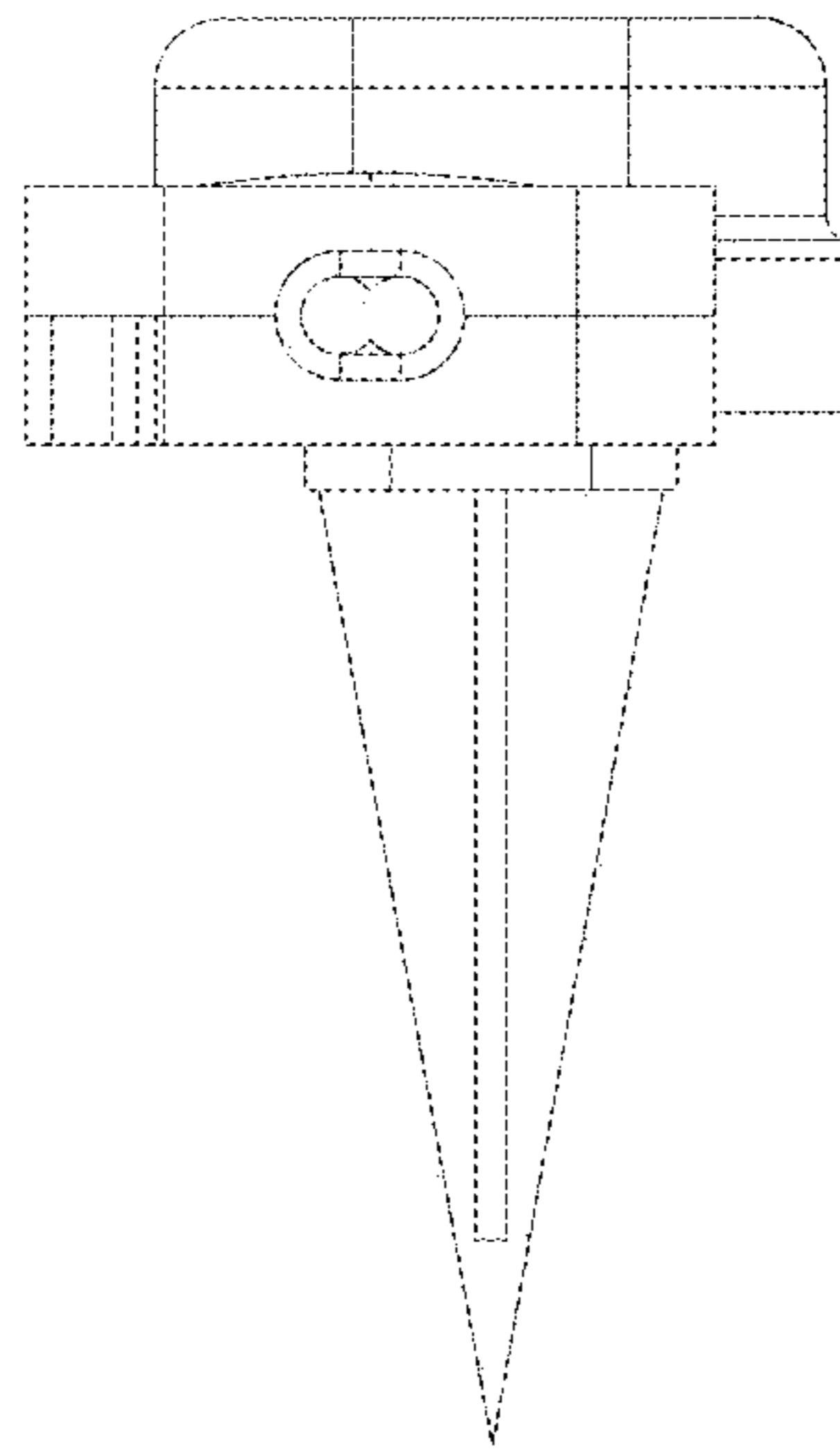


FIG. 7