



US00D976449S

(12) **United States Design Patent**
Mazeaud et al.

(10) **Patent No.:** **US D976,449 S**
(45) **Date of Patent:** **** Jan. 24, 2023**

(54) **LAMP**

(71) Applicant: **TPL VISION UK LIMITED**, Charing Kent (GB)

(72) Inventors: **Guillaume Mazeaud**, Glencarse (GB); **Jack McKinley**, Edinburgh (GB)

(**) Term: **15 Years**

(21) Appl. No.: **35/511,356**

(22) Filed: **Jan. 6, 2021**

(80) **Hague Agreement Data**

Int. Filing Date: **Jan. 6, 2021**

Int. Reg. No.: **DM/212503**

Int. Reg. Date: **Jan. 6, 2021**

Int. Reg. Pub. Date: **Feb. 12, 2021**

(51) **LOC (14) Cl.** **26-04**

(52) **U.S. Cl.**
USPC **D26/1**

(58) **Field of Classification Search**

USPC D26/1, 24, 51, 60, 67, 72, 74, 118, 119, D26/120, 138

CPC F21V 31/005; F21V 14/08; F21V 15/01; F21V 17/16; F21V 9/00; F21S 4/28; F21W 2131/40

See application file for complete search history.

(56) **References Cited**

U.S. PATENT DOCUMENTS

D250,816 S *	1/1979	Chipner	D26/1
D251,092 S *	2/1979	Chipner	D26/1
D292,322 S *	10/1987	Krol	D26/75
D312,842 S *	12/1990	Younger	D20/42
D374,736 S *	10/1996	DeWinter	D26/72
D381,450 S *	7/1997	Sonneman	D26/81
D386,801 S *	11/1997	Orgovan	D26/31
D406,916 S *	3/1999	Klaus	D26/72

D441,479 S *	5/2001	McCormick	D26/72
D542,449 S *	5/2007	Racoosin	D26/51
D563,020 S *	2/2008	Campagna	D26/72
D565,207 S *	3/2008	Uemoto	D26/1
D570,518 S *	6/2008	Haimov	D26/74
D580,086 S *	11/2008	Condon	D26/72
D589,638 S *	3/2009	Collins	D26/72
D623,781 S *	9/2010	Uemoto	D26/1
D630,777 S *	1/2011	Lee	D26/24
D646,826 S *	10/2011	Smith	D26/74
D646,831 S *	10/2011	Pan	D26/74
D647,239 S *	10/2011	Beghelli	D26/74
D651,328 S *	12/2011	Wahl	D26/24
D671,253 S *	11/2012	Kim	D26/74
D672,913 S *	12/2012	Lin	D26/120
D677,421 S *	3/2013	Lin	D26/120
D677,422 S *	3/2013	Lin	D26/120
D678,586 S *	3/2013	Mayfield, III	D26/74
D681,866 S *	5/2013	Lin	D26/120
D685,122 S *	6/2013	Kim	D26/74
D685,942 S *	7/2013	Duquette	D26/74
D690,444 S *	9/2013	Katoh	D26/1
D699,376 S *	2/2014	Kim	D26/1
D712,582 S *	9/2014	Yanping	D26/74
D714,487 S *	9/2014	Hartman	D26/120
D717,990 S *	11/2014	Nakai	D26/120
D736,988 S *	8/2015	Chen	D26/120

(Continued)

Primary Examiner — Steven J Czyz

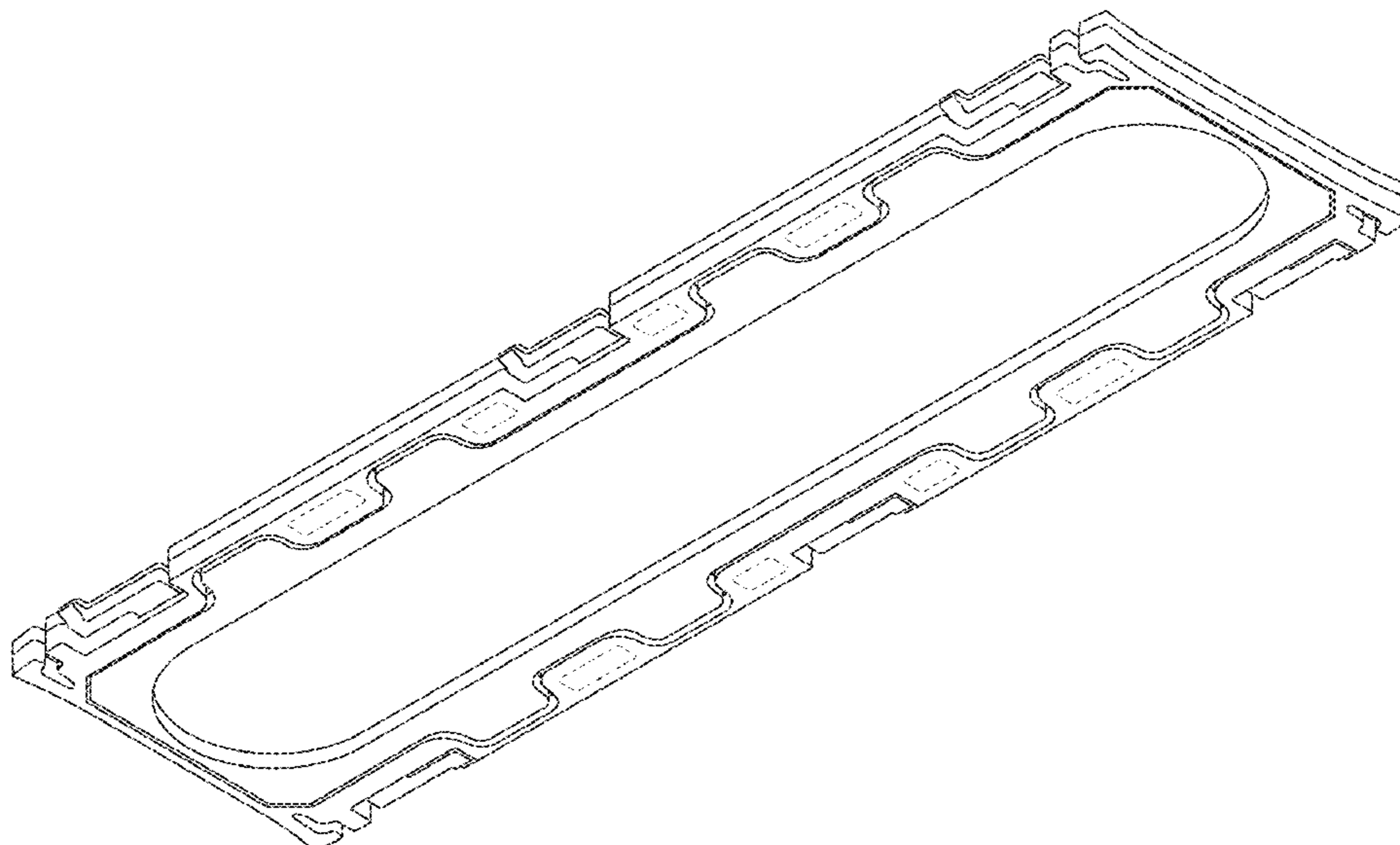
(57) **CLAIM**

The ornamental design for a lamp, as shown and described.

DESCRIPTION

- 1. Lamp
- 1.1 : Side
- 1.2 : Side
- 1.3 : Bottom perspective
- 1.4 : Bottom
- 1.5 : Top perspective
- 1.6 : Top
- 1.7 : Enlarged partial view

1 Claim, 7 Drawing Sheets



(56)

References Cited

U.S. PATENT DOCUMENTS

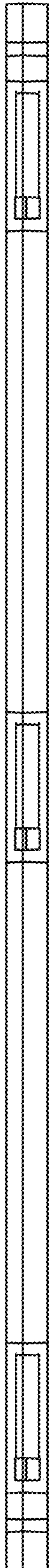
D736,989 S * 8/2015 Chen D26/120
 D736,990 S * 8/2015 Chen D26/120
 D736,991 S * 8/2015 Chen D26/120
 D736,992 S * 8/2015 Chen D26/120
 D739,565 S * 9/2015 Welch D26/1
 D740,453 S * 10/2015 Welch D26/1
 D747,506 S * 1/2016 Serocki D26/1
 D768,888 S * 10/2016 Tan D26/1
 D776,852 S * 1/2017 Weng D26/74
 D776,853 S * 1/2017 Akiyama D26/74
 D781,470 S * 3/2017 Hsieh D26/51
 D784,574 S * 4/2017 Wang D26/1
 D800,934 S * 10/2017 Hoffmeister D26/51
 D800,935 S * 10/2017 Hoffmeister D26/51
 D802,176 S * 11/2017 Tan D26/1
 D802,805 S * 11/2017 Wong D26/1
 D808,557 S * 1/2018 Knöll D26/51
 D825,792 S * 8/2018 Johnson D26/24

D851,316 S * 6/2019 Gregory D26/74
 D853,616 S * 7/2019 Salas D26/74
 D869,694 S * 12/2019 Verfueth D26/1
 D869,727 S * 12/2019 Gruendl D26/74
 D880,021 S * 3/2020 Meise D26/24
 D916,349 S * 4/2021 Battel D26/74
 D921,237 S * 6/2021 Schneider, IV D26/24
 D924,447 S * 7/2021 Zhang D26/1
 D928,350 S * 8/2021 Burmeister D26/24
 D928,358 S * 8/2021 Korpi D26/24
 D928,998 S * 8/2021 Korpi D26/24
 D930,857 S * 9/2021 Nakabayashi H01L 33/36
 D26/1
 D937,448 S * 11/2021 Mazeaud F21V 1/00
 D26/24
 11,193,666 B2 * 12/2021 Lewis, Jr. F21V 31/005
 2011/0110077 A1 * 5/2011 Klus F21V 31/005
 362/153
 2022/0003402 A1 * 1/2022 Mazeaud F21V 31/00

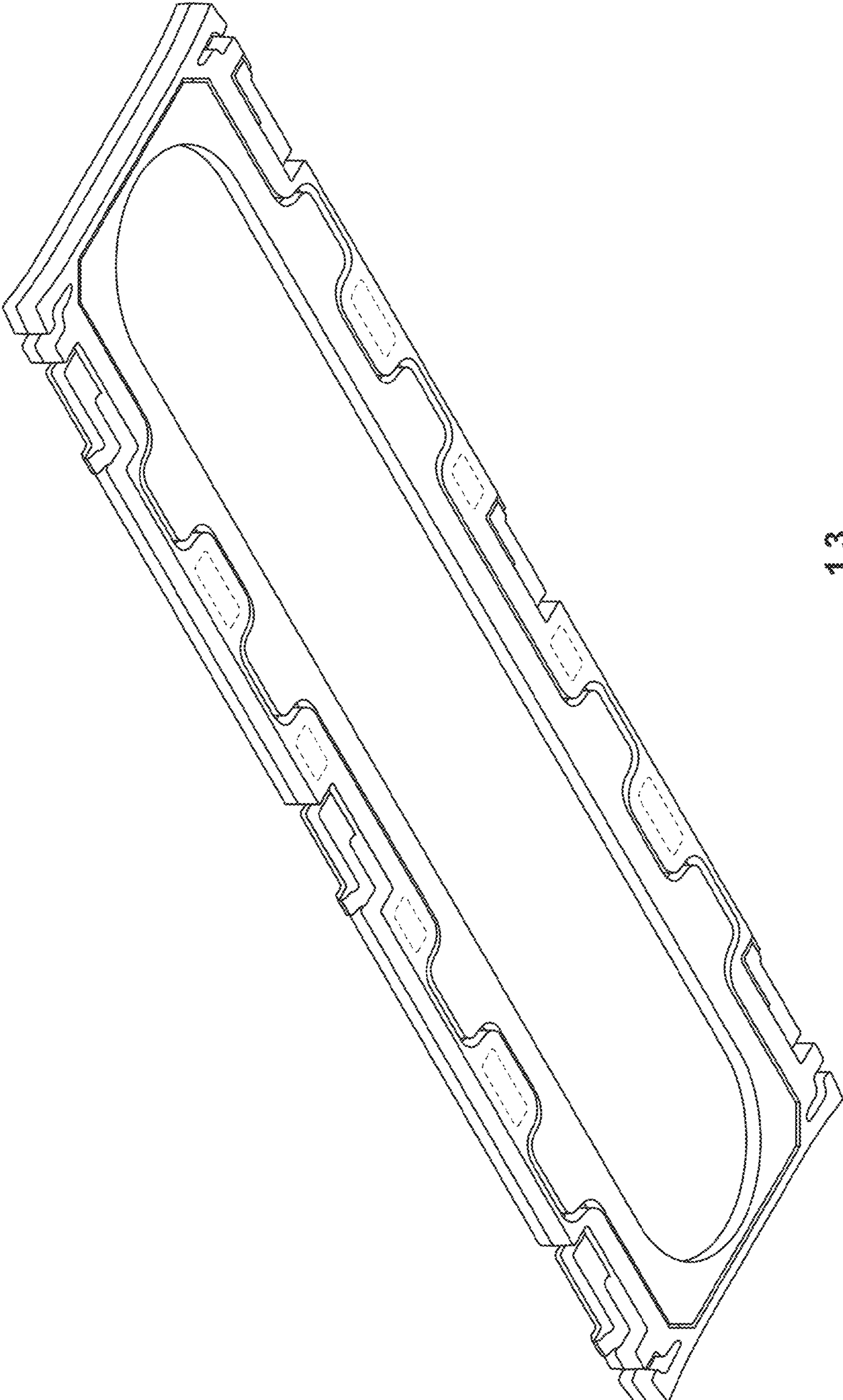
* cited by examiner



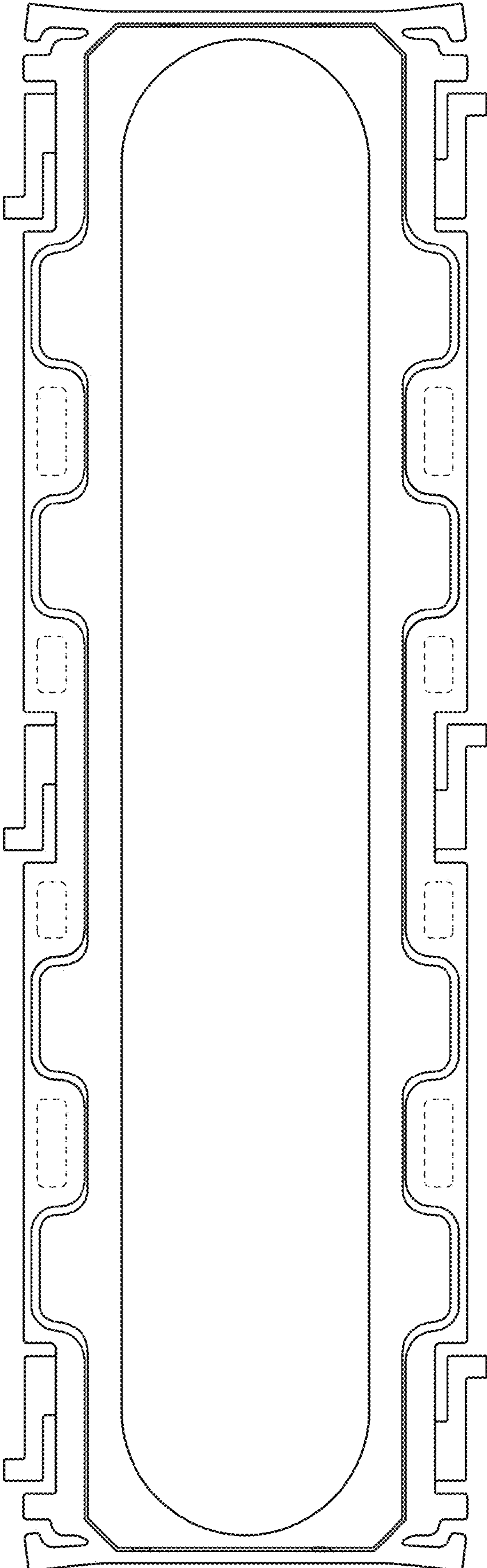
1.1



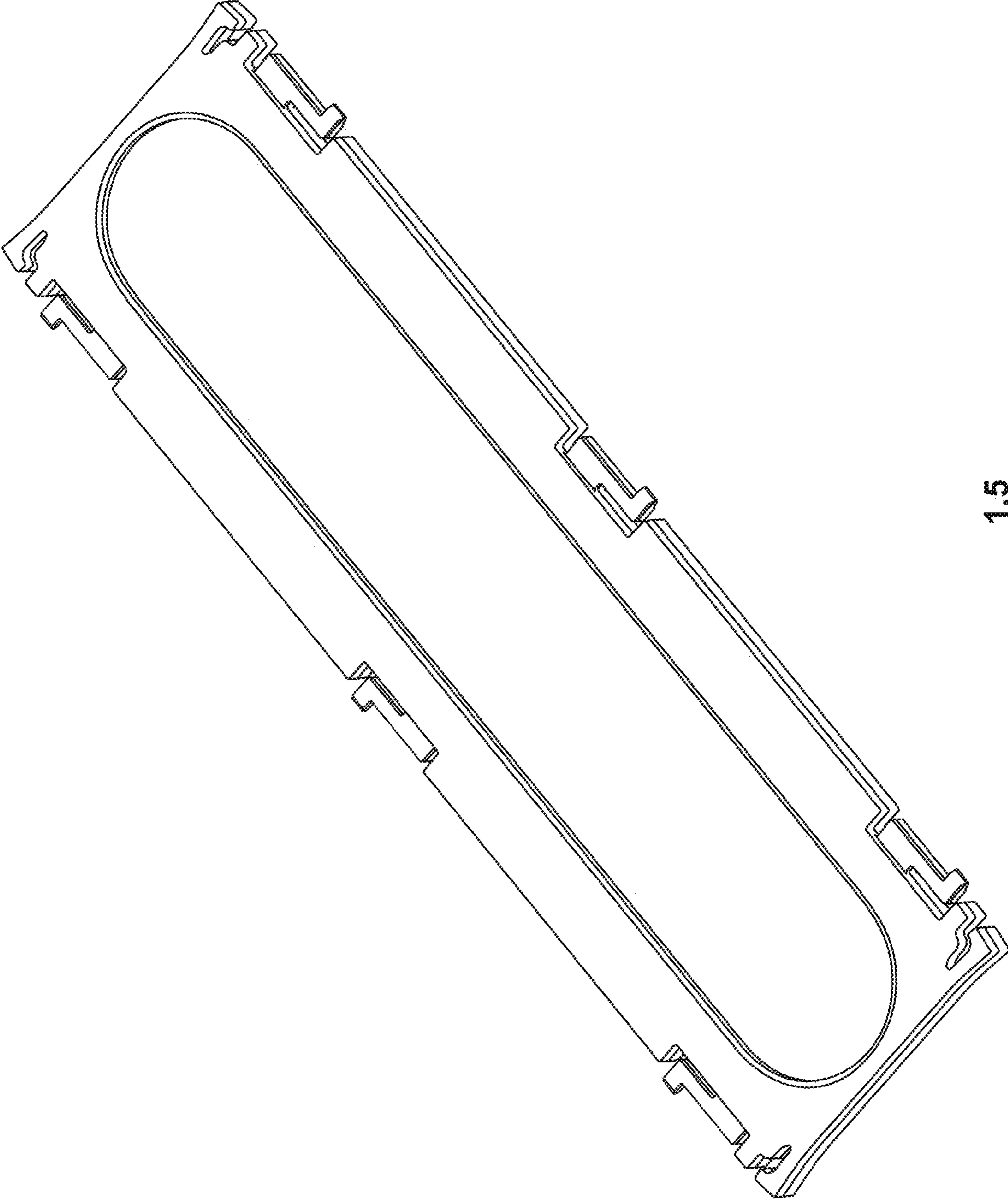
1.2



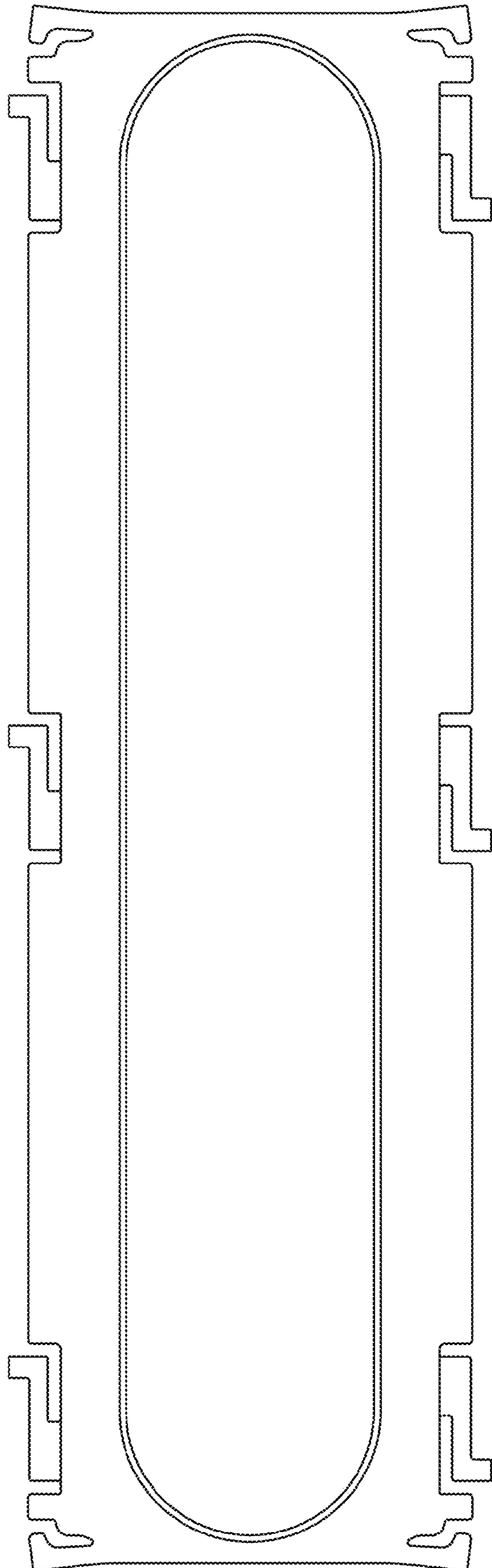
1.3



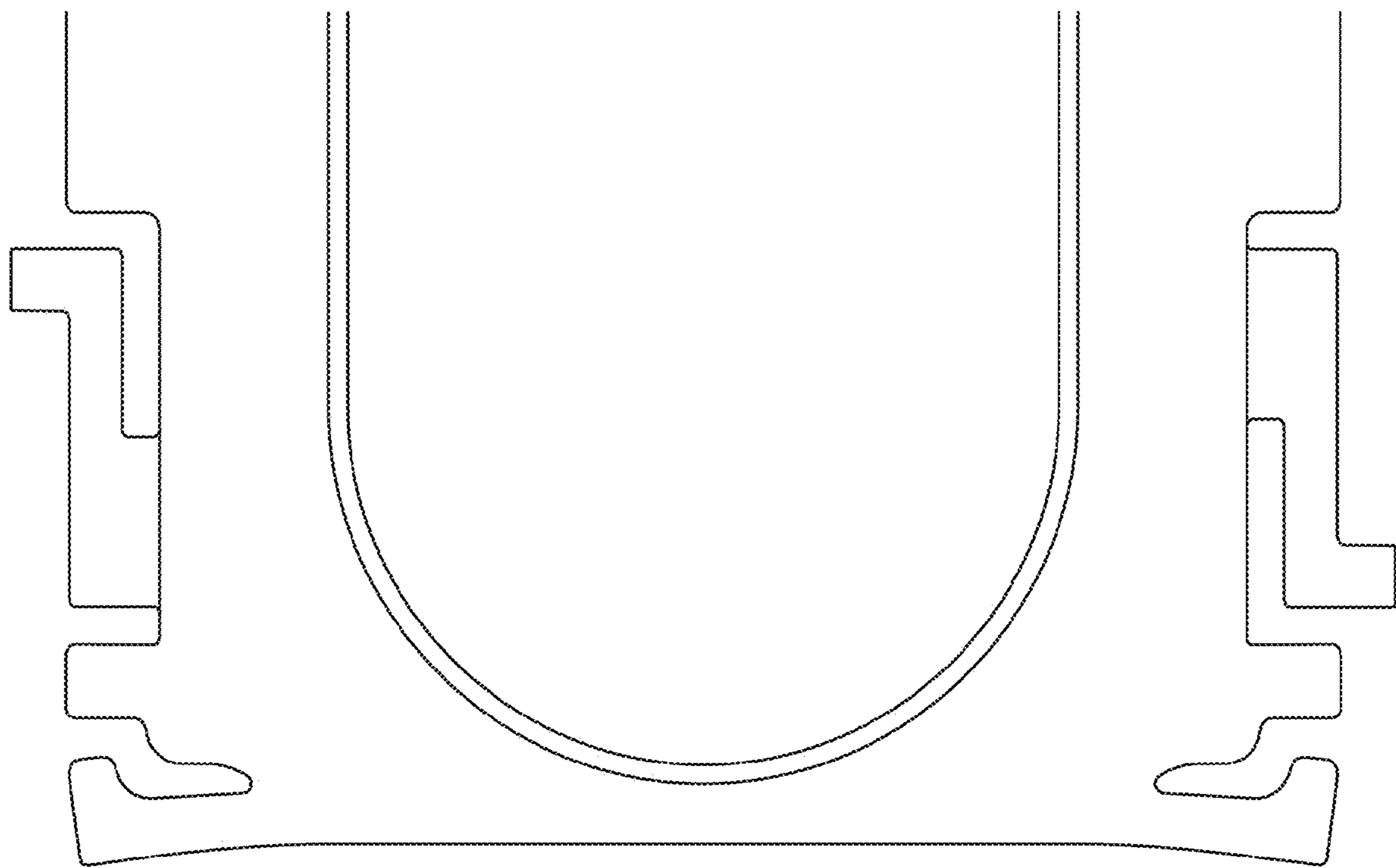
1.4



1.5



1.6



1.7