



US00D976440S

(12) **United States Design Patent** (10) **Patent No.:** **US D976,440 S**  
**Osborne et al.** (45) **Date of Patent:** **\*\* Jan. 24, 2023**

(54) **INSTRUMENT**

FOREIGN PATENT DOCUMENTS

(71) Applicant: **Meso Scale Technologies, LLC.**,  
Rockville, MD (US)

EM 003382670-0001 11/2016  
JP D1497485 S 5/2014  
JP D1596097 S 1/2018

(72) Inventors: **Rodger Darin Osborne**, Stuart, FL (US); **Jacob N. Wohlstadter**, Potomac, MD (US); **Sandor Kovacs**, Middletown, DE (US); **Aaron Leimkuehler**, Upper St. Clair, PA (US); **Cecilia Zimmerman**, Clarksburg, MD (US); **Jules VanDersarl**, Gaithersburg, MD (US)

OTHER PUBLICATIONS

Taiwanese Search Report dated Jul. 13, 2020 received in Taiwanese Design Patent Application No. 108304048, together with an English-language translation.

(Continued)

*Primary Examiner* — Anhdao Doan

(74) *Attorney, Agent, or Firm* — Scully, Scott, Murphy & Presser, P.C.

(73) Assignee: **Meso Scale Technologies, LLC.**,  
Rockville, MD (US)

(57) **CLAIM**

(\*\*) Term: **15 Years**

The ornamental design for an instrument, as shown and described.

(21) Appl. No.: **29/786,019**

**DESCRIPTION**

(22) Filed: **May 28, 2021**

The patent file contains at least one drawing executed in color. Copies of this patent with a color drawing will be provided by the Office upon request and payment of the necessary fee.

**Related U.S. Application Data**

(63) Continuation of application No. 29/675,738, filed on Jan. 4, 2019, now Pat. No. Des. 921,222.

FIG. 1 is a perspective view of an instrument showing a first embodiment of our new and ornamental design; FIG. 2 is an alternate perspective view thereof; FIG. 3 is an alternate perspective view thereof; FIG. 4 is an alternate perspective view thereof; FIG. 5 is a rear elevation view thereof; FIG. 6 is a front elevation view thereof; FIG. 7 is a side elevation view thereof; FIG. 8 is a side elevation view thereof; FIG. 9 is a top plan view thereof; FIG. 10 is a perspective view of an instrument showing a second embodiment of our new and ornamental design; FIG. 11 is an alternate perspective view thereof; FIG. 12 is an alternate perspective view thereof; FIG. 13 is an alternate perspective view thereof; FIG. 14 is a rear elevation view thereof; FIG. 15 is a front elevation view thereof;

(51) **LOC (14) Cl.** ..... **24-01**

(52) **U.S. Cl.**  
USPC ..... **D24/232**

(58) **Field of Classification Search**  
USPC ..... D24/107, 169, 186, 216, 224, 231, 232;  
D10/81

(Continued)

(56) **References Cited**

**U.S. PATENT DOCUMENTS**

D493,232 S 7/2004 Wohlstadter et al.  
D671,227 S 11/2012 Parker

(Continued)

(Continued)

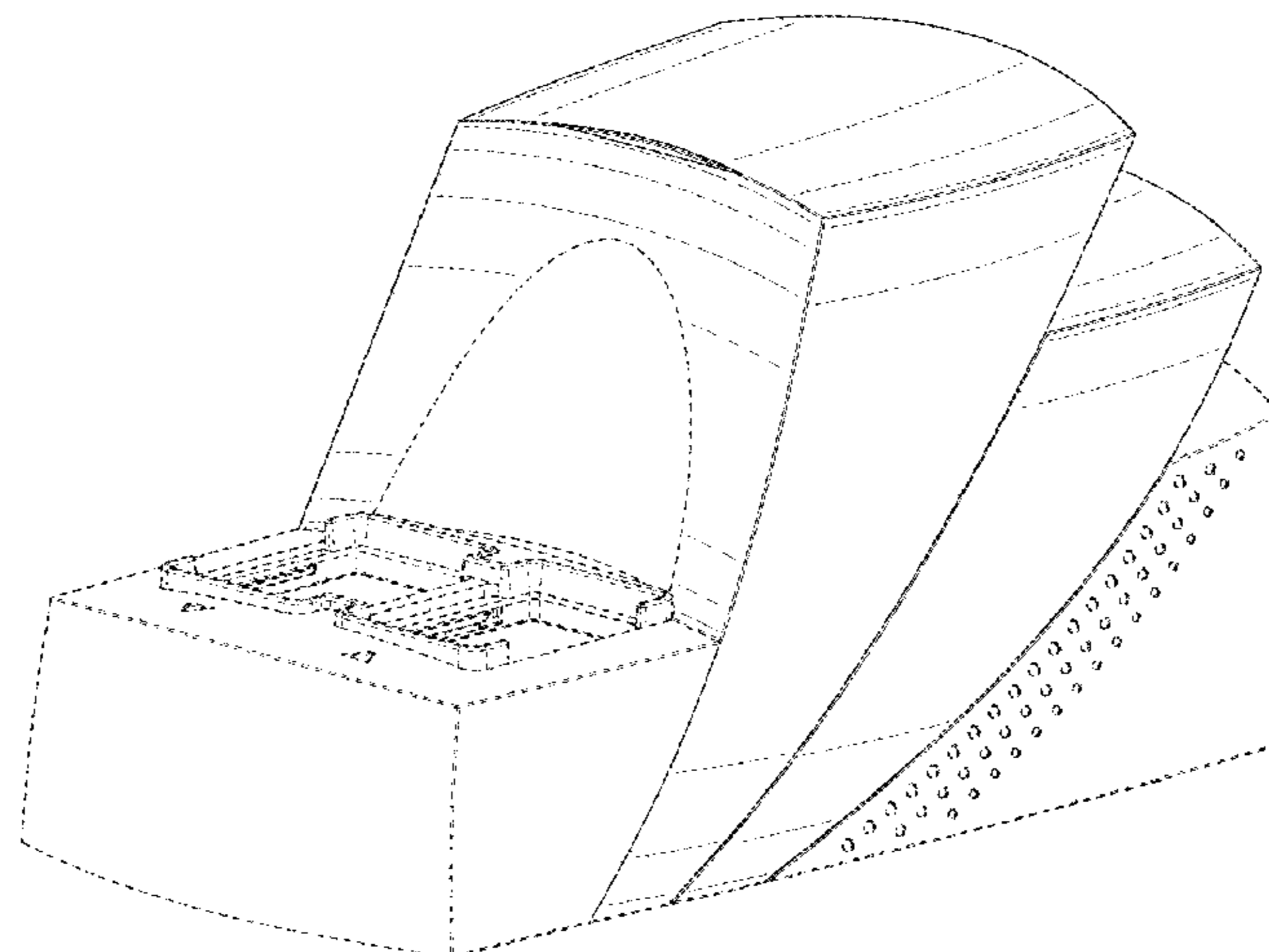


FIG. 16 is a side elevation view thereof;  
 FIG. 17 is a side elevation view thereof;  
 FIG. 18 is a top plan view thereof;  
 FIG. 19 is a perspective view of an instrument showing a third embodiment of our new and ornamental design;  
 FIG. 20 is an alternate perspective view thereof;  
 FIG. 21 is an alternate perspective view thereof;  
 FIG. 22 is an alternate perspective view thereof;  
 FIG. 23 is a rear elevation view thereof;  
 FIG. 24 is a front elevation view thereof;  
 FIG. 25 is a side elevation view thereof;  
 FIG. 26 is a side elevation view thereof; and,  
 FIG. 27 is a top plan view thereof.

The broken lines illustrate portions of the instrument that form no part of the claimed design. The radiating lines illustrate the glow of the illumination emanating from the instrument.

**1 Claim, 24 Drawing Sheets  
 (8 of 24 Drawing Sheet(s) Filed in Color)**

(58) **Field of Classification Search**

CPC ..... G01N 33/48708; G01N 33/48785; G01N 33/493; G01N 33/569; G01N 35/00029; G01N 2035/00118; G01N 2035/00306; G01N 2035/00326; G01N 2035/00891

See application file for complete search history.

(56)

**References Cited**

U.S. PATENT DOCUMENTS

D705,437	S	5/2014	Chamberlin et al.	
D721,184	S	1/2015	Chamberlin	
D810,315	S	2/2018	Hoelbl	
10,281,678	B2	5/2019	Chamberlin et al.	
10,302,649	B2	5/2019	Clinton et al.	
D921,222	S *	6/2021	Osborne .....	D24/232
2011/0220777	A1	9/2011	Clinton et al.	
2019/0221289	A1 *	7/2019	Stahl .....	G01N 35/0098
2021/0214771	A1 *	7/2021	Chen .....	G01N 21/6452

OTHER PUBLICATIONS

Taiwanese Allowance Decision of Examination dated Sep. 4, 2020 received in Taiwanese Design Patent Application No. 108304048, together with an English-language translation.

Japanese Preliminary Notice of Rejection dated Jan. 19, 2021 received in Japanese Application No. 2020-009071, together with an English-language translation.

Canadian Examination Subsequent Report dated Mar. 3, 2021 received in Canadian Application No. 188589.

U.S. non-Final Office Action dated Sep. 13, 2022 received in related U.S. Appl. No. 29/786,021.

\* cited by examiner

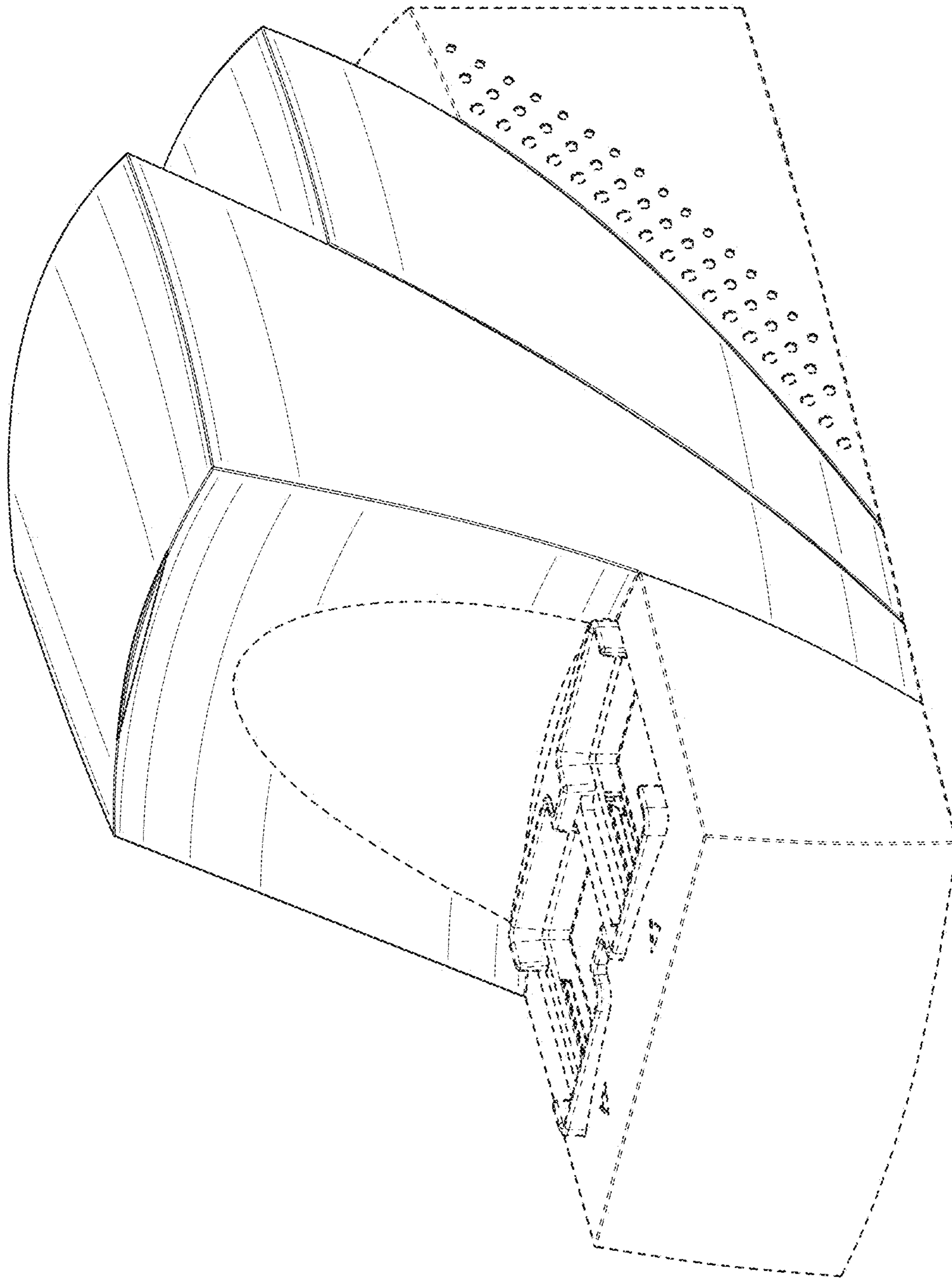


FIG. 1

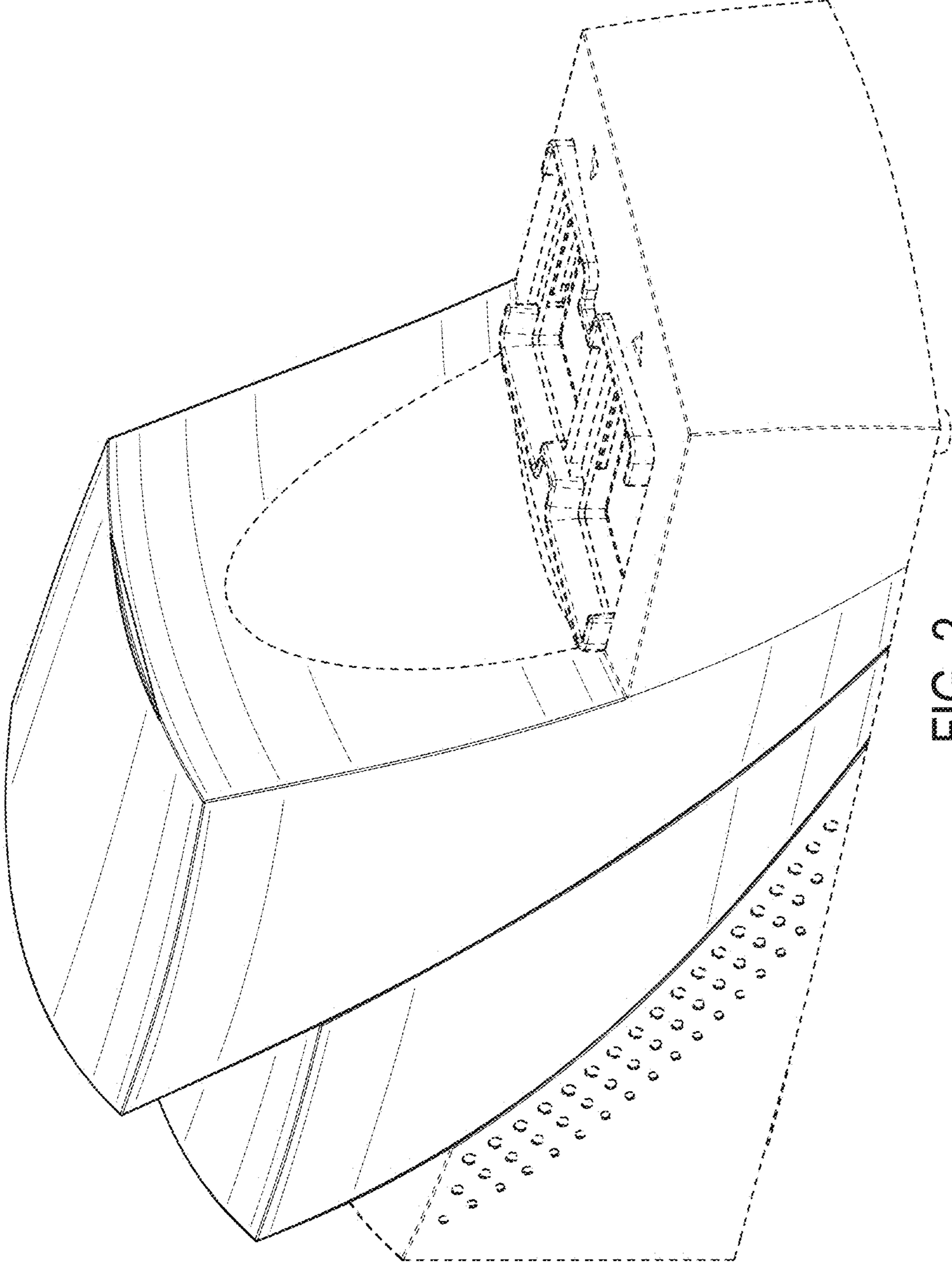


FIG. 2

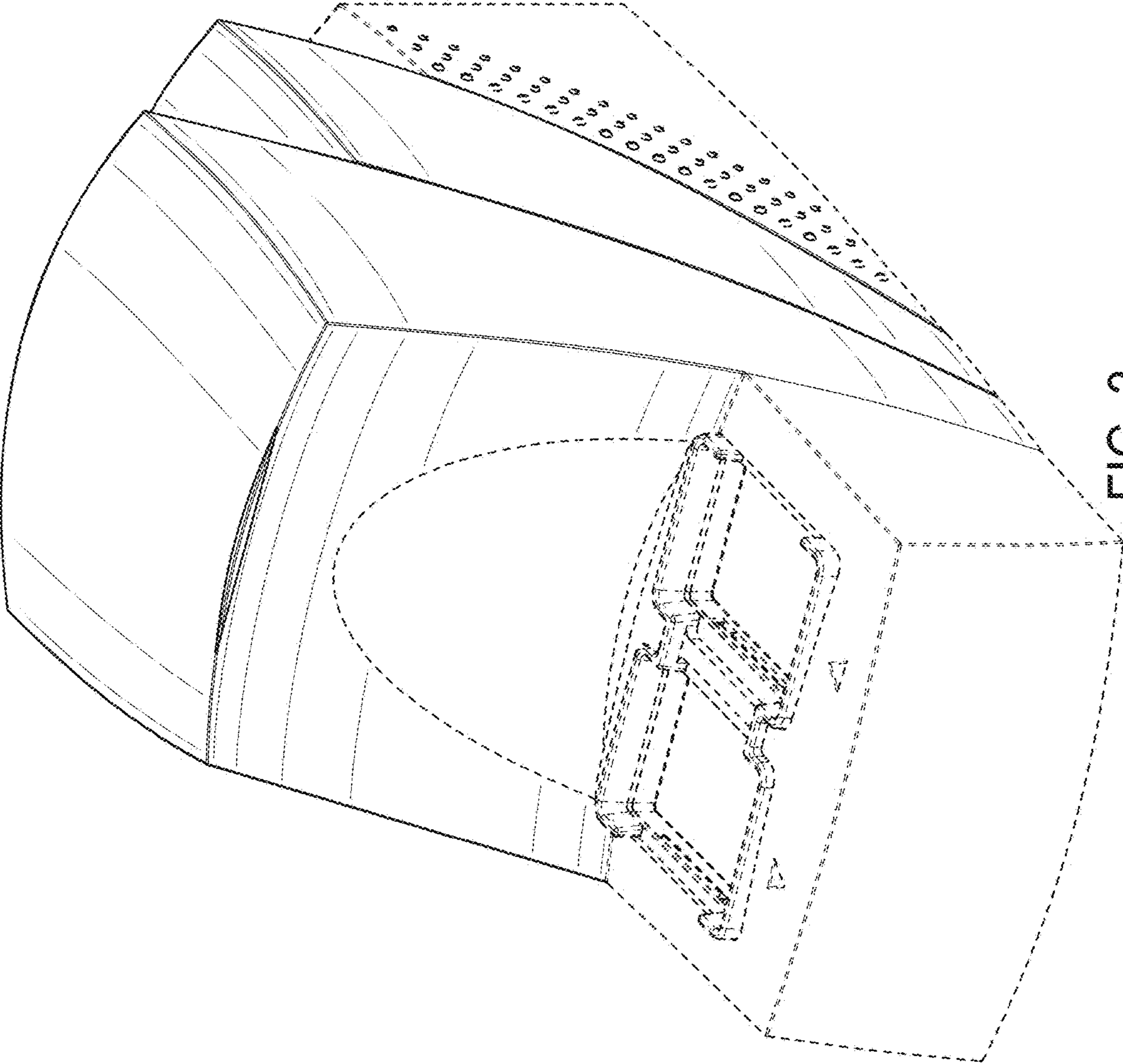


FIG. 3

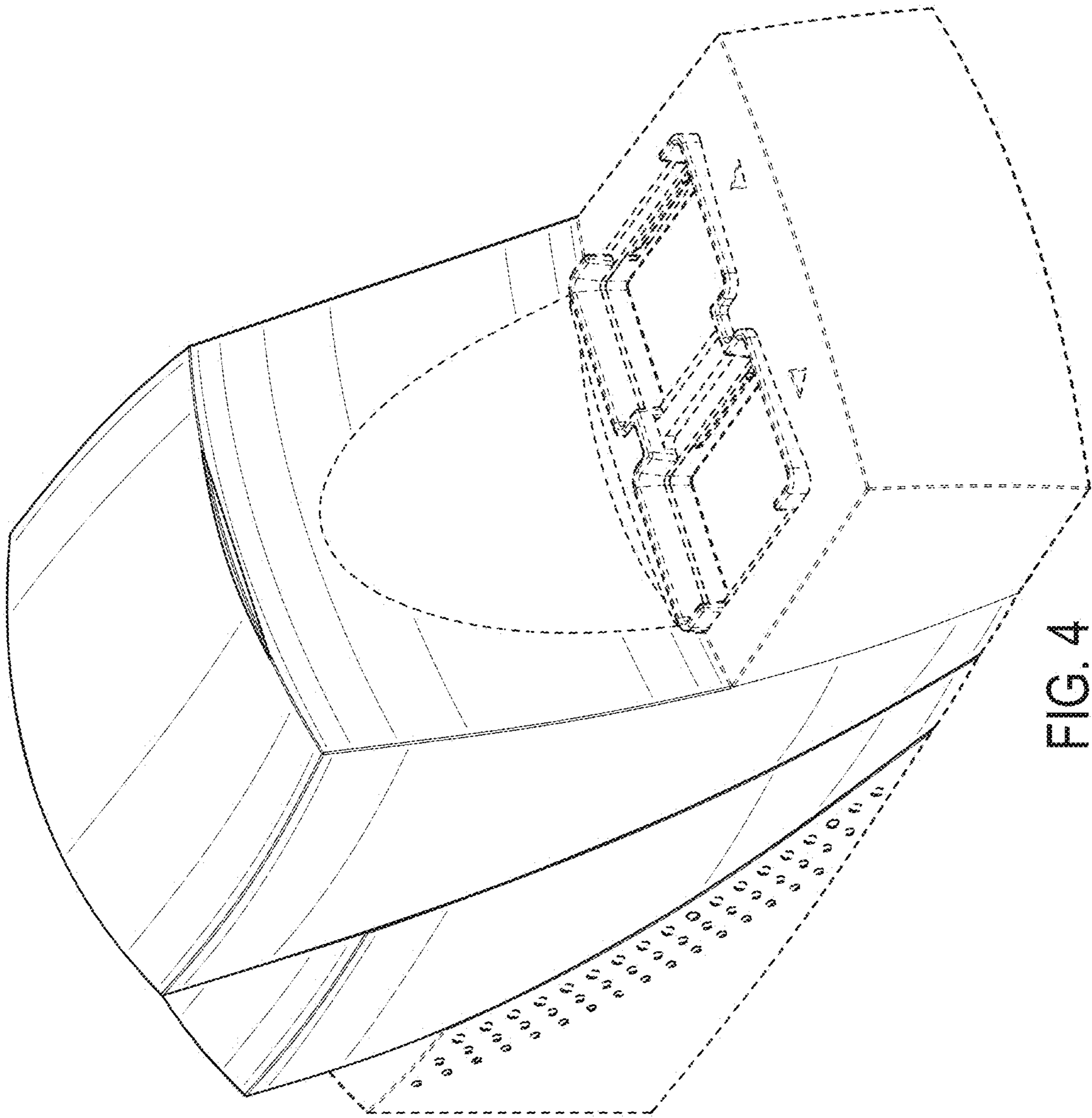


FIG. 4

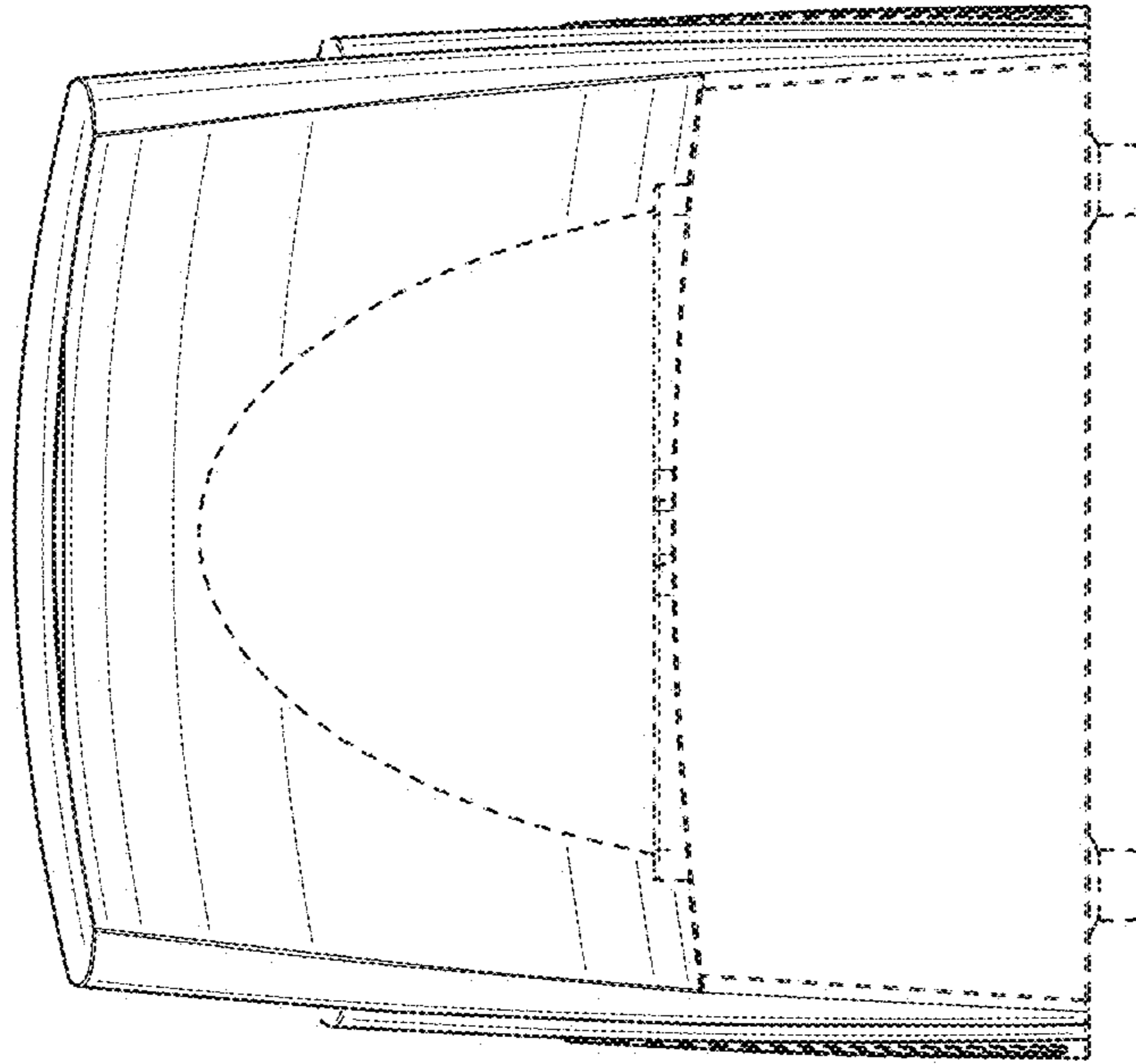


FIG. 6

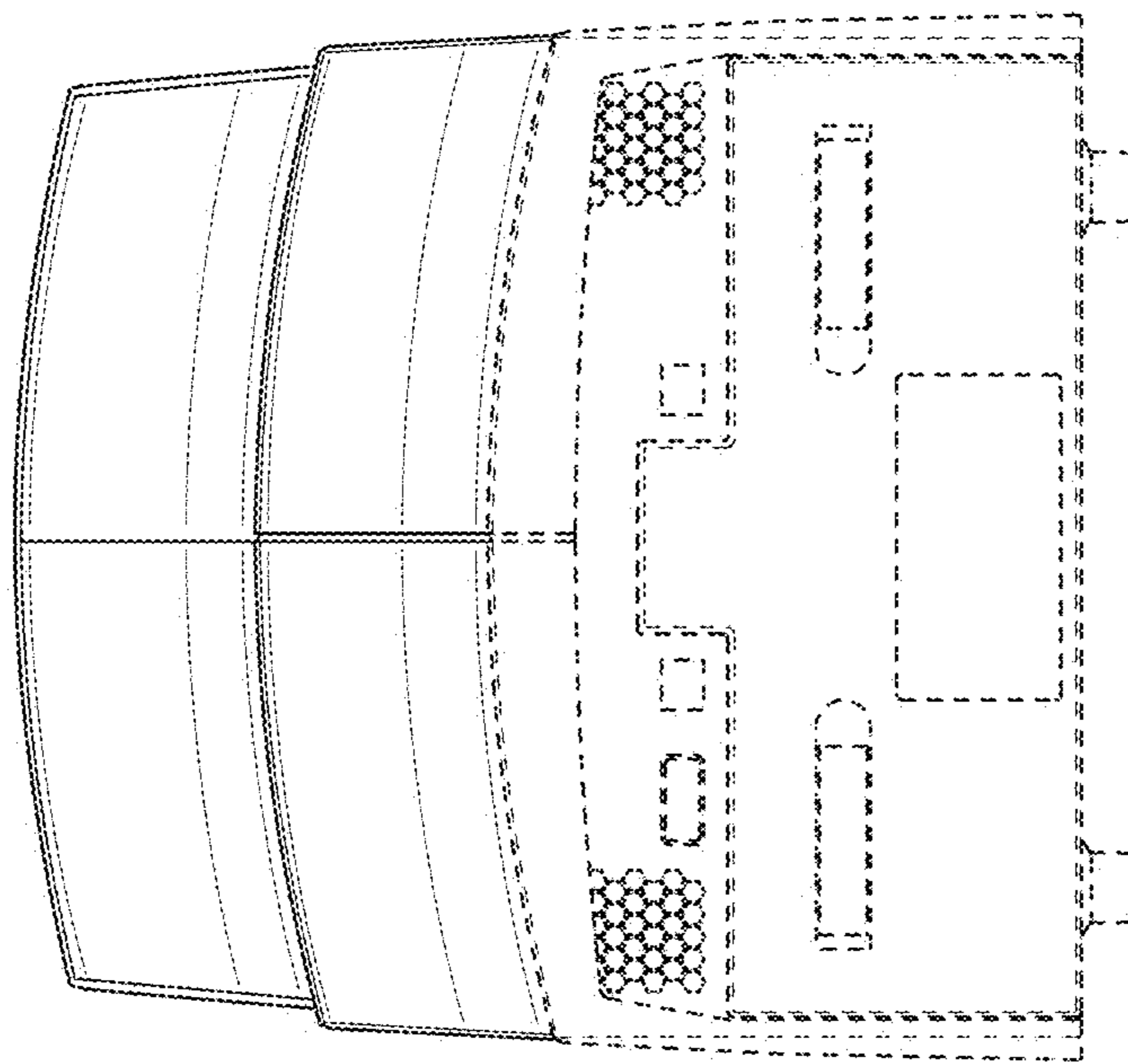


FIG. 5

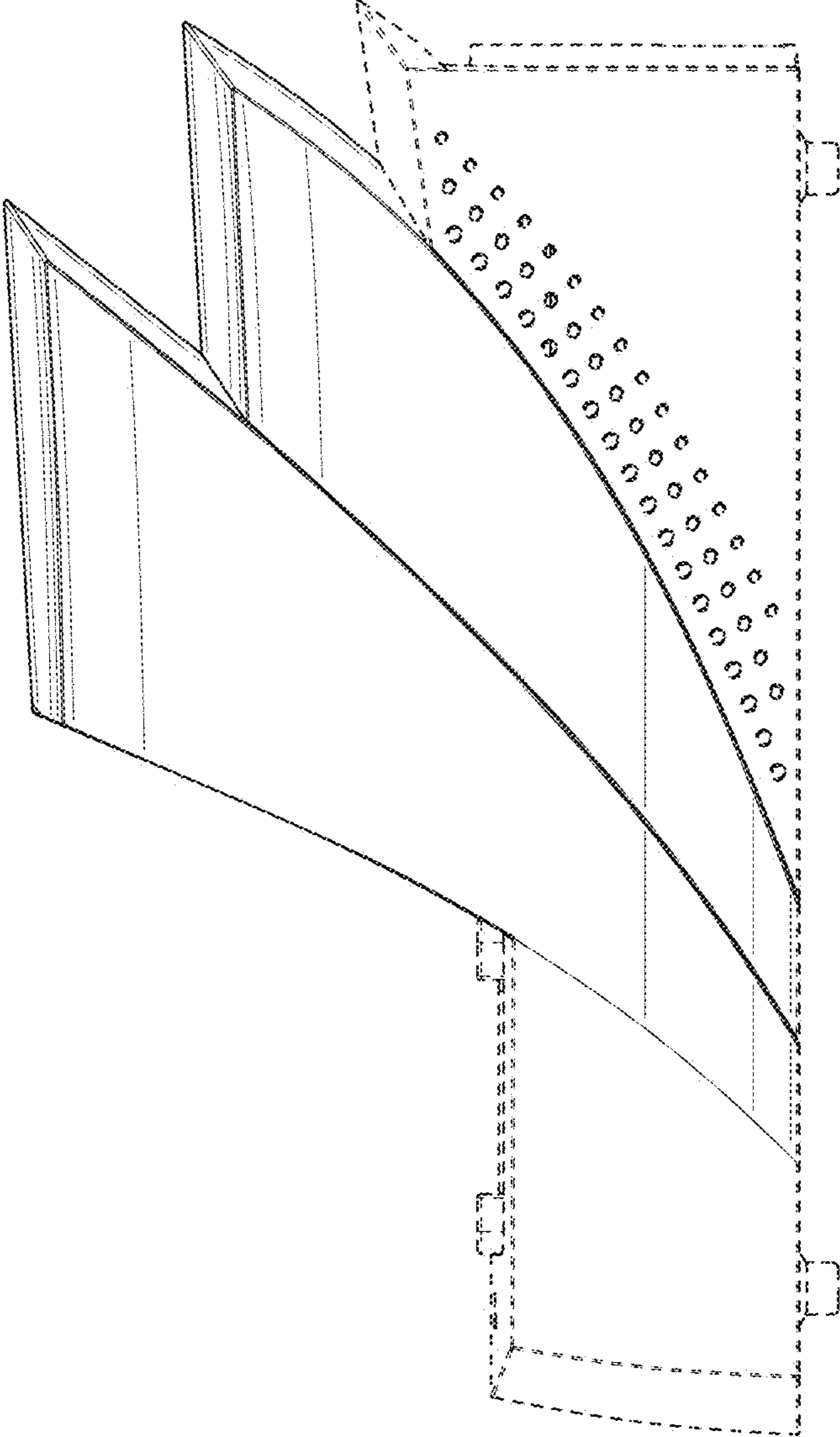


FIG. 7



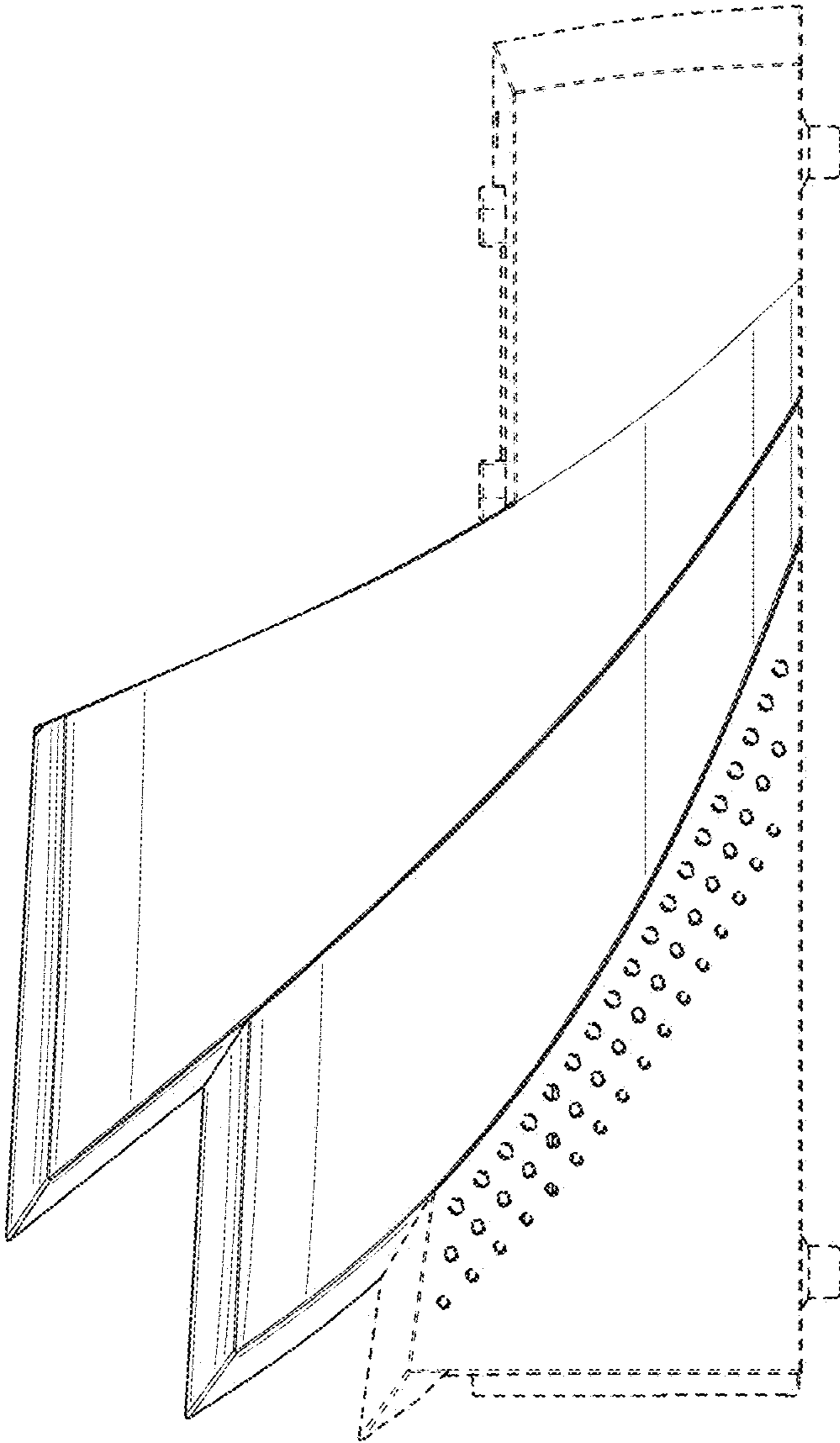


FIG. 8

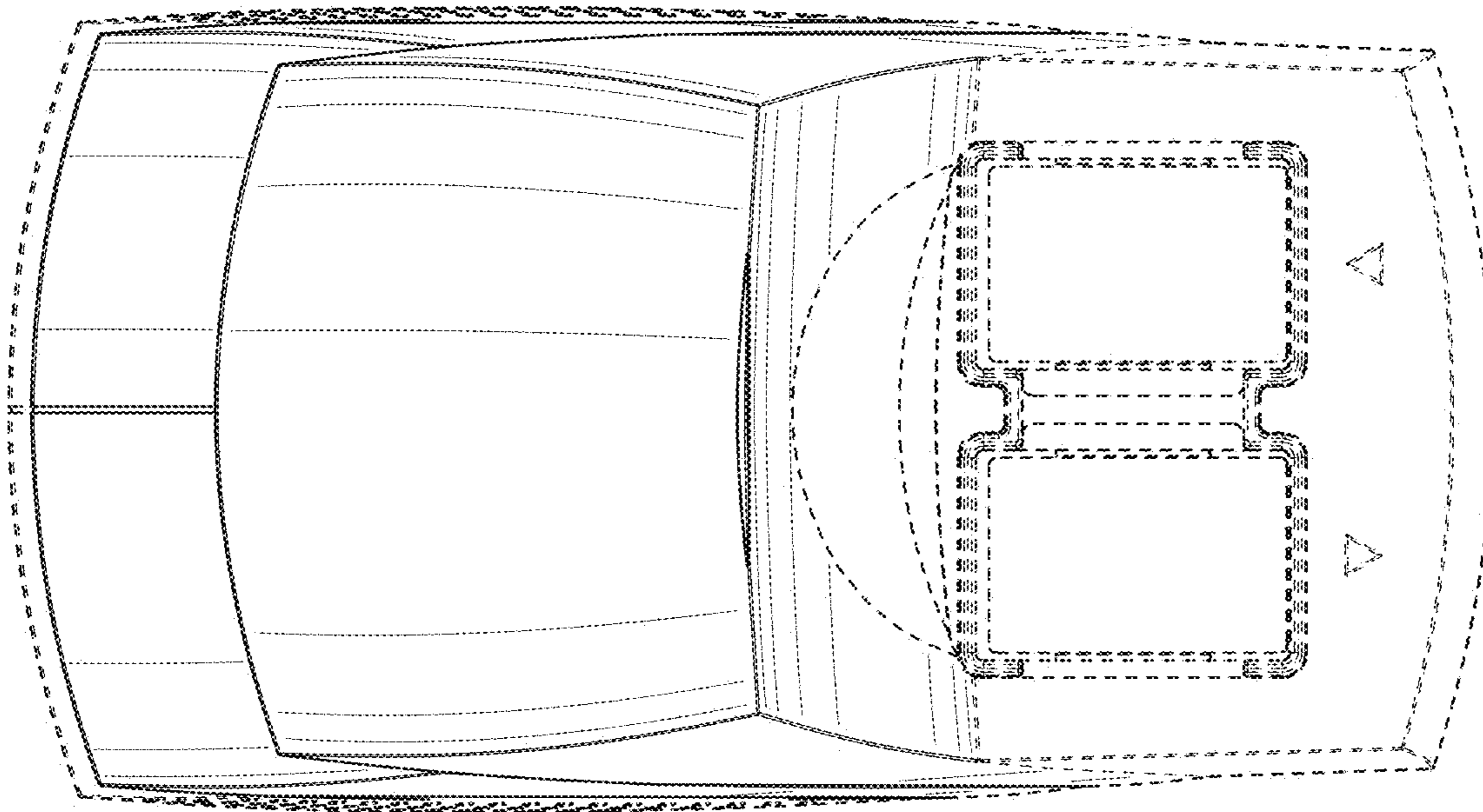


FIG. 9

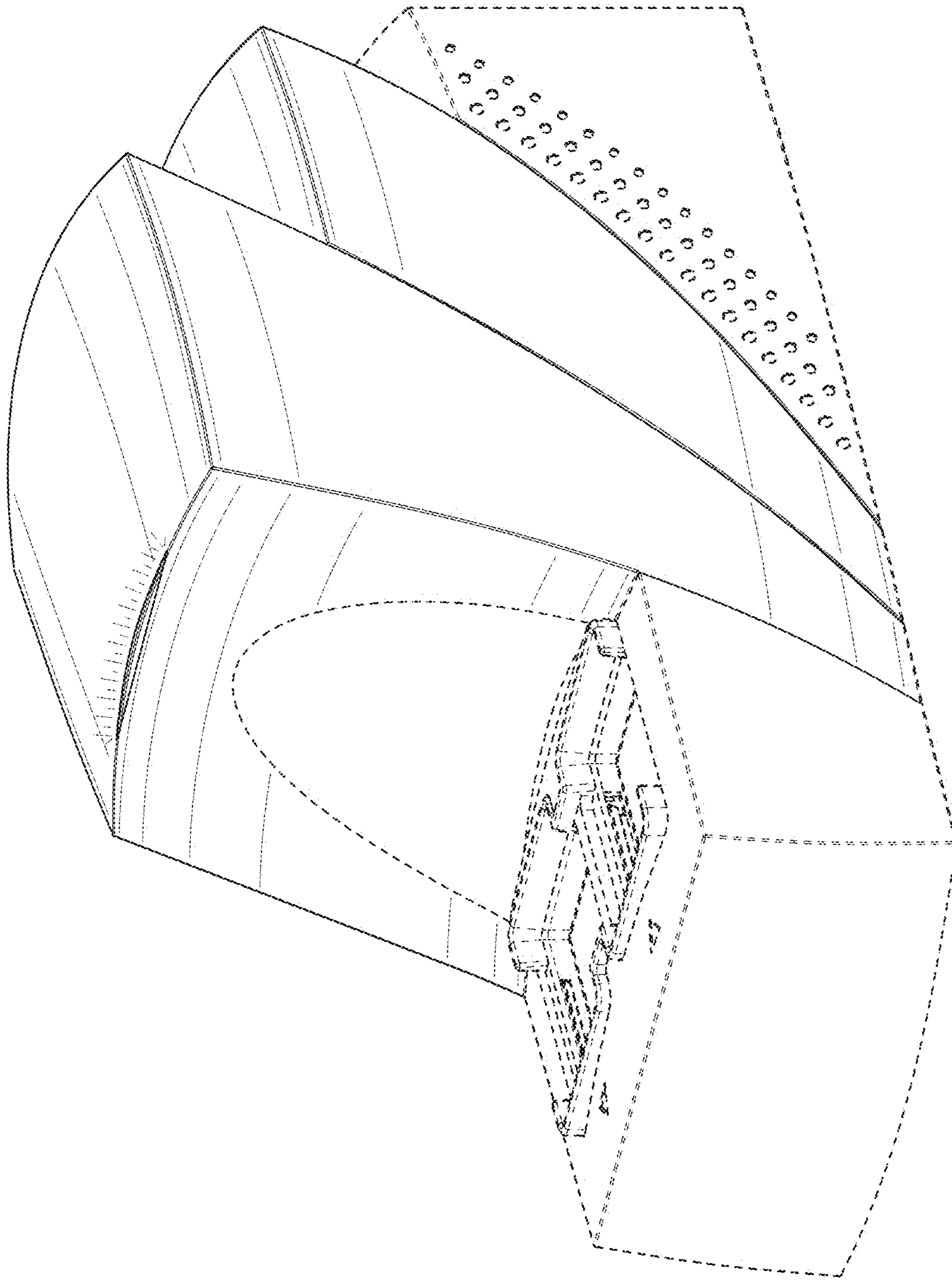


FIG. 10

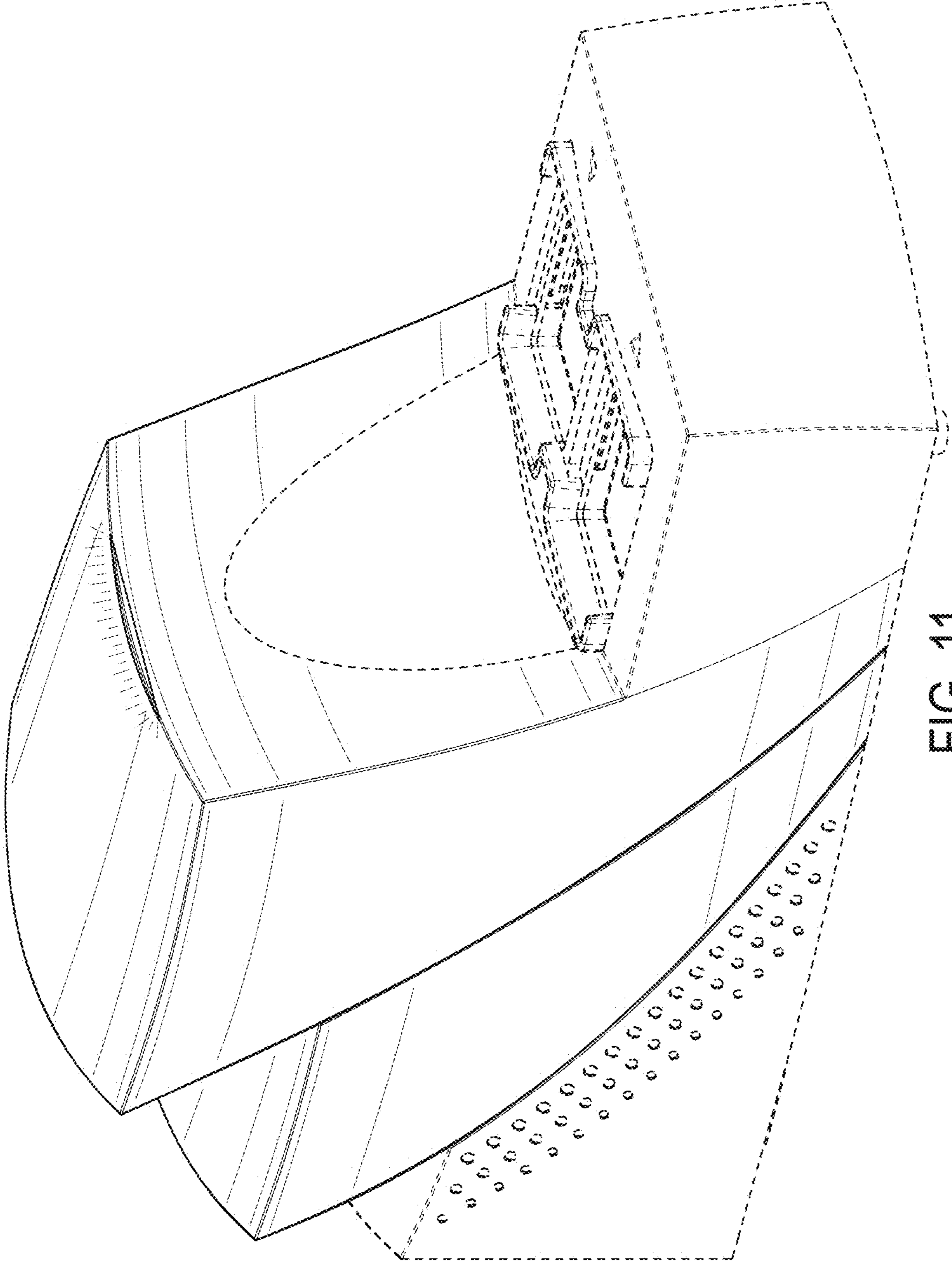


FIG. 11

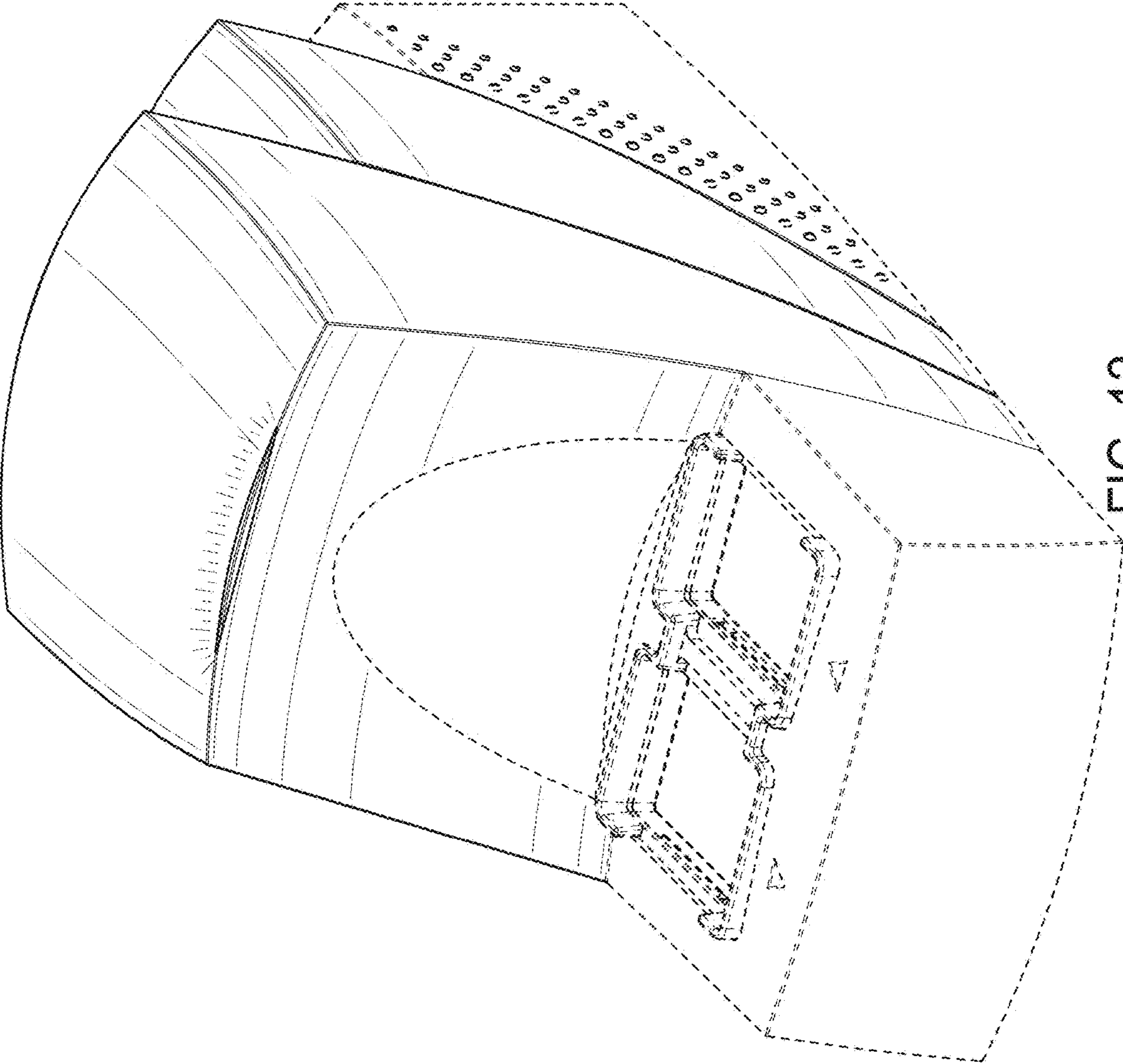


FIG. 12

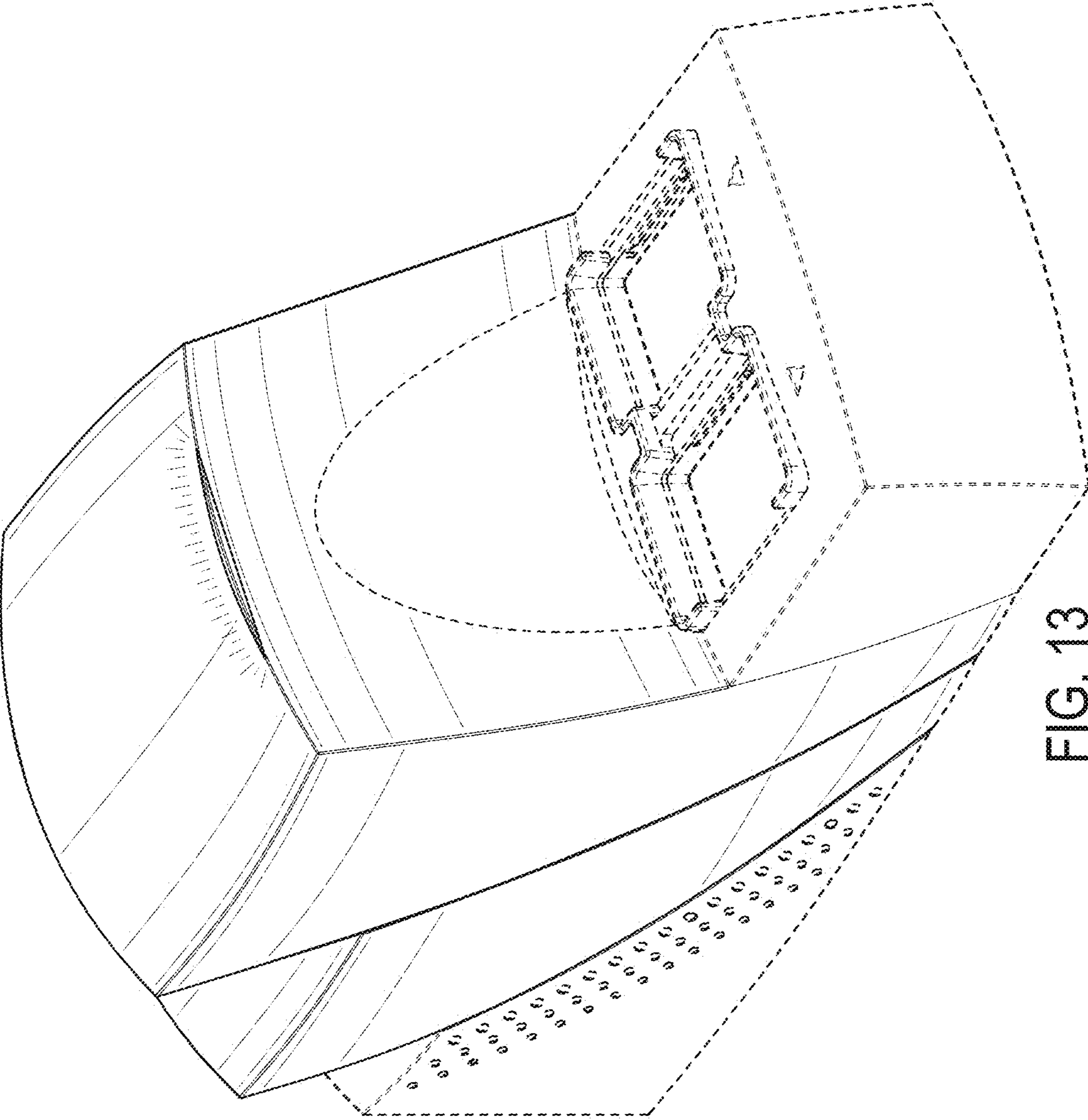


FIG. 13

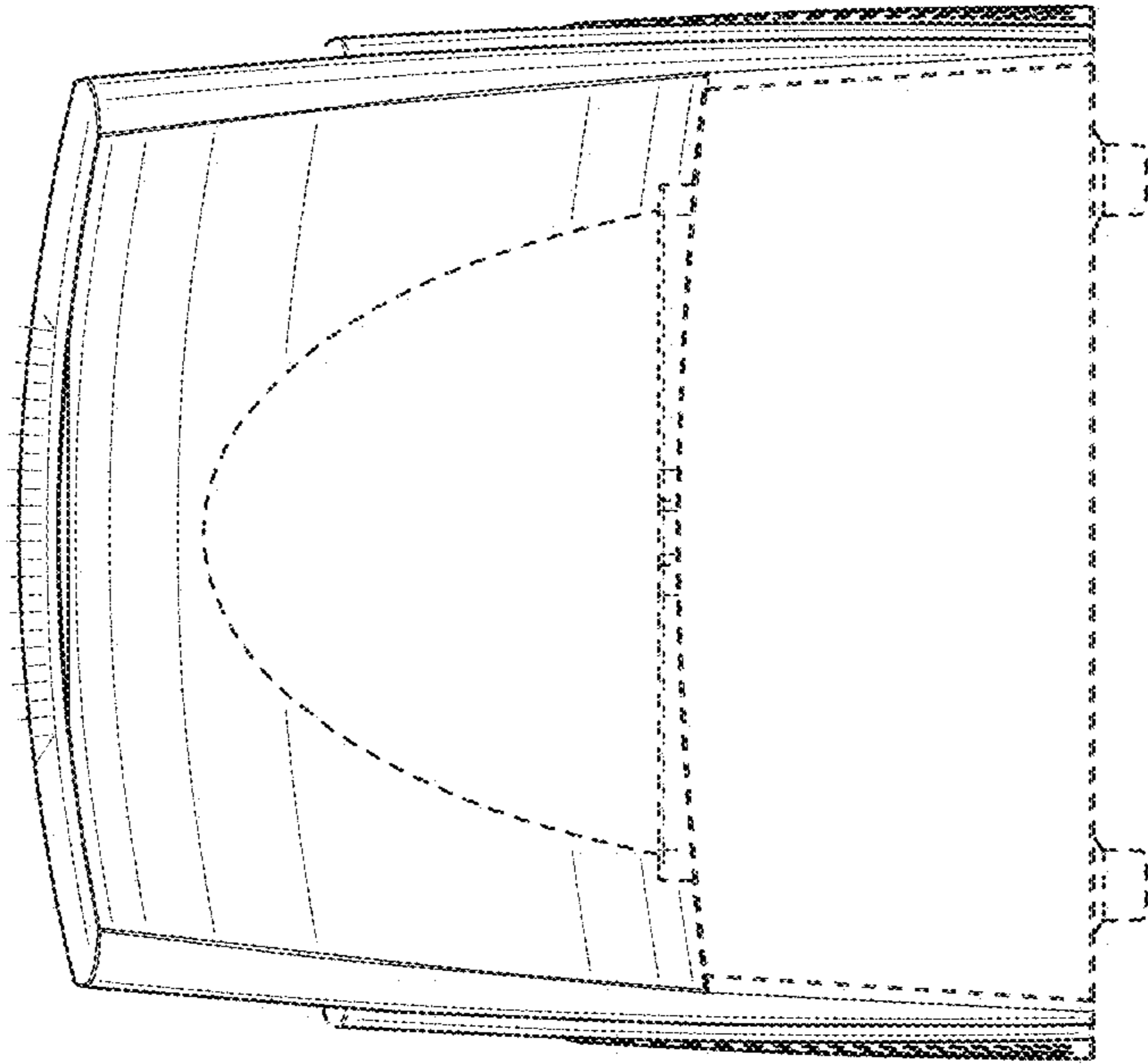


FIG. 15

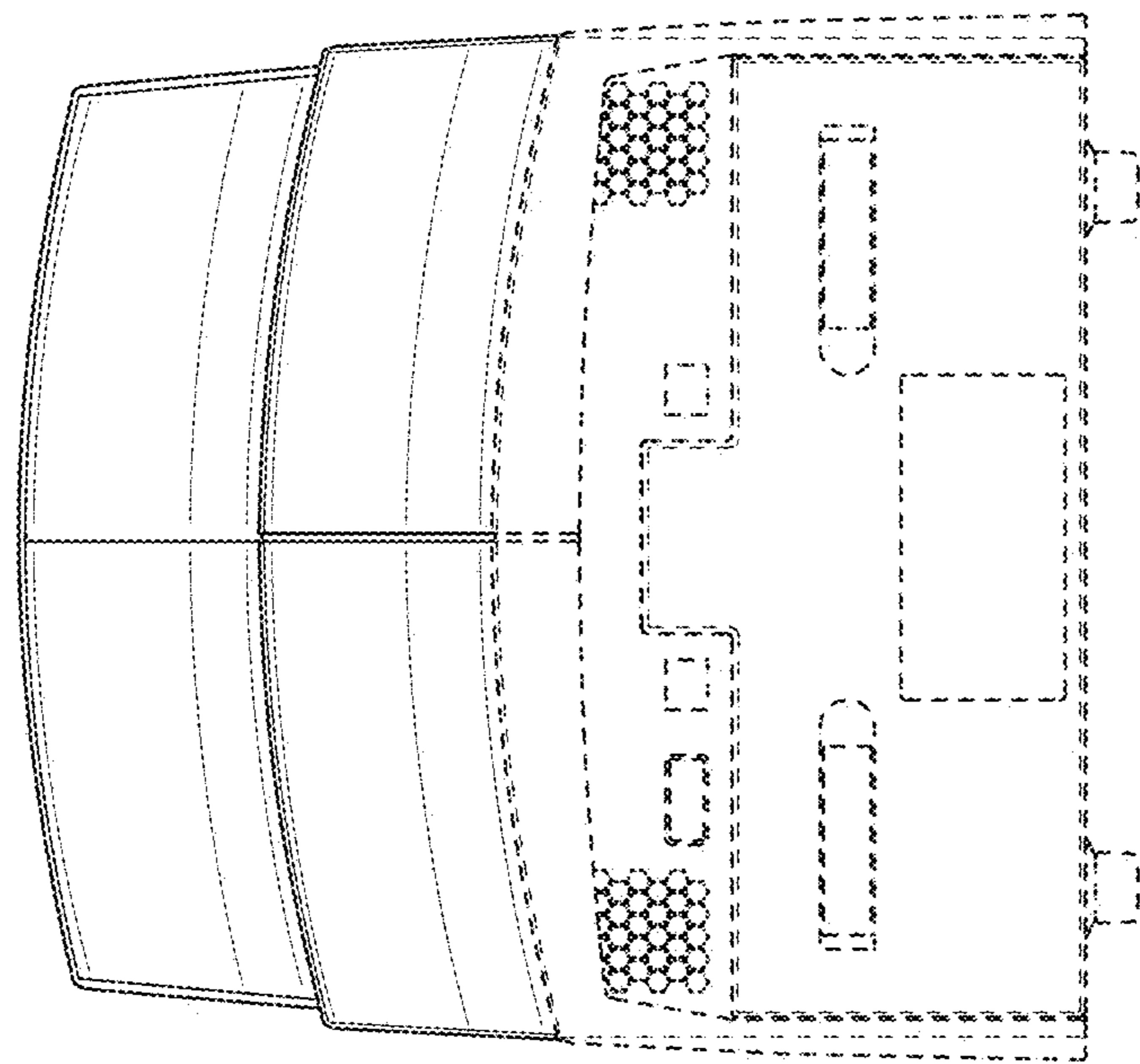


FIG. 14

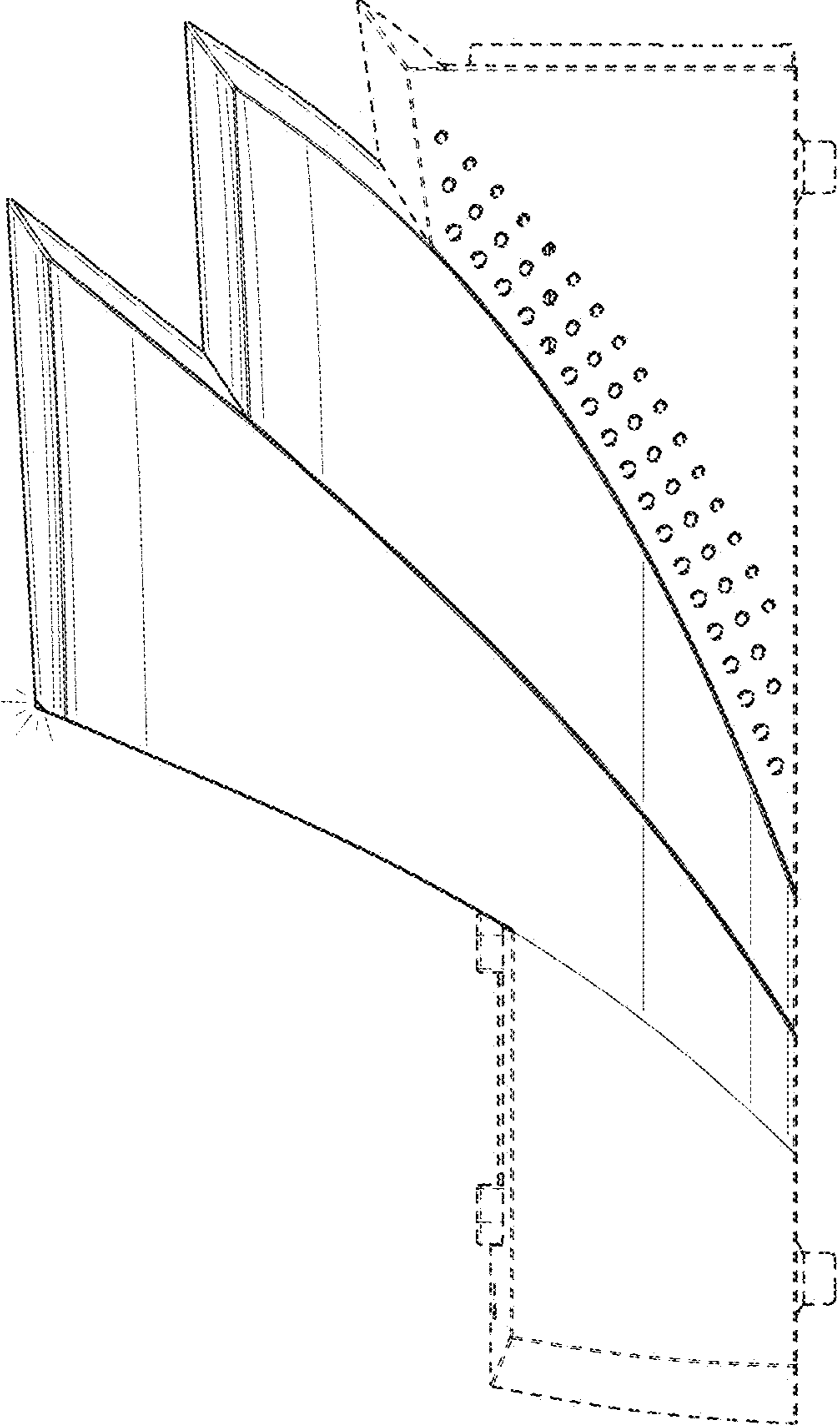


FIG. 16



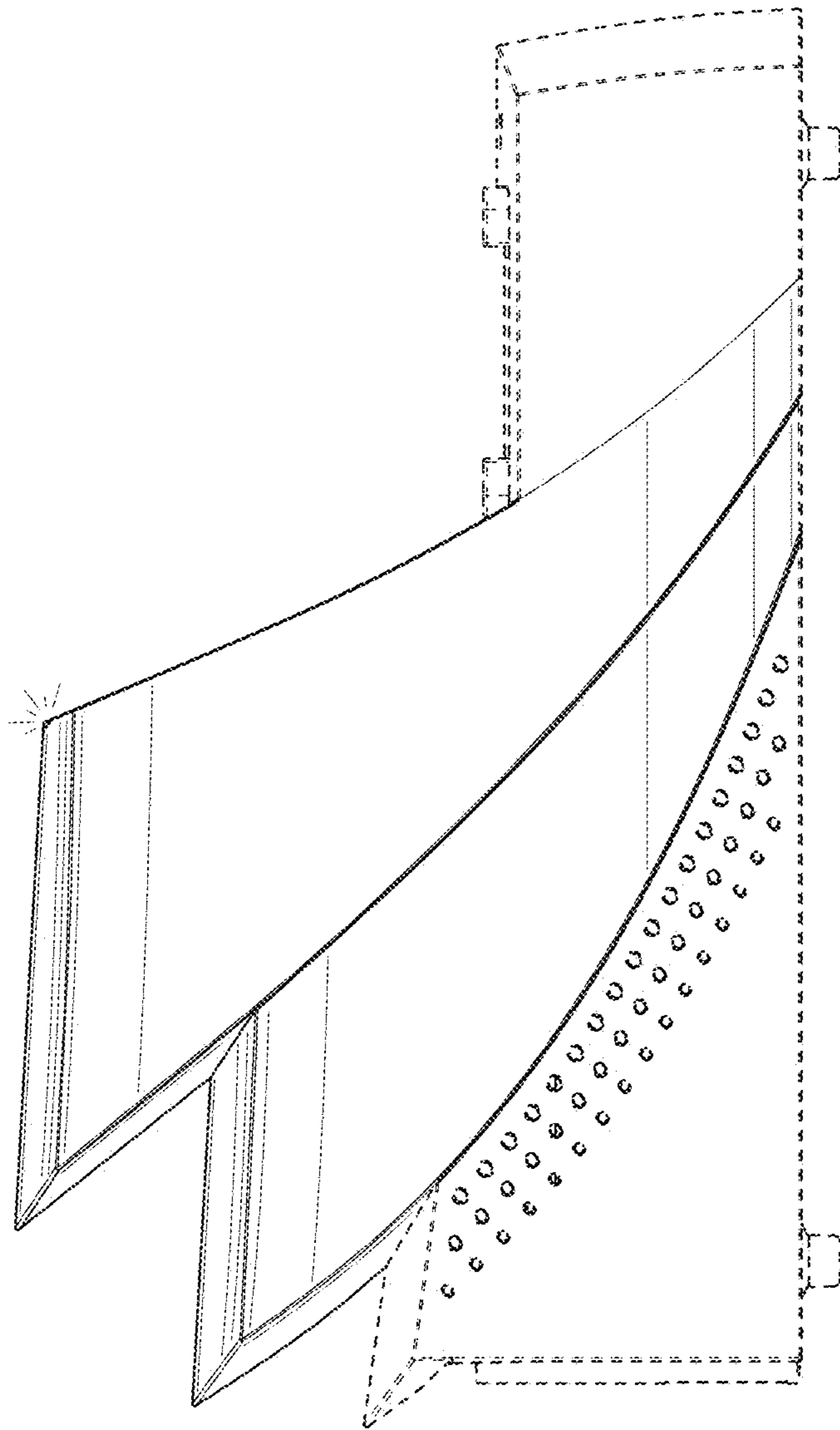


FIG. 17

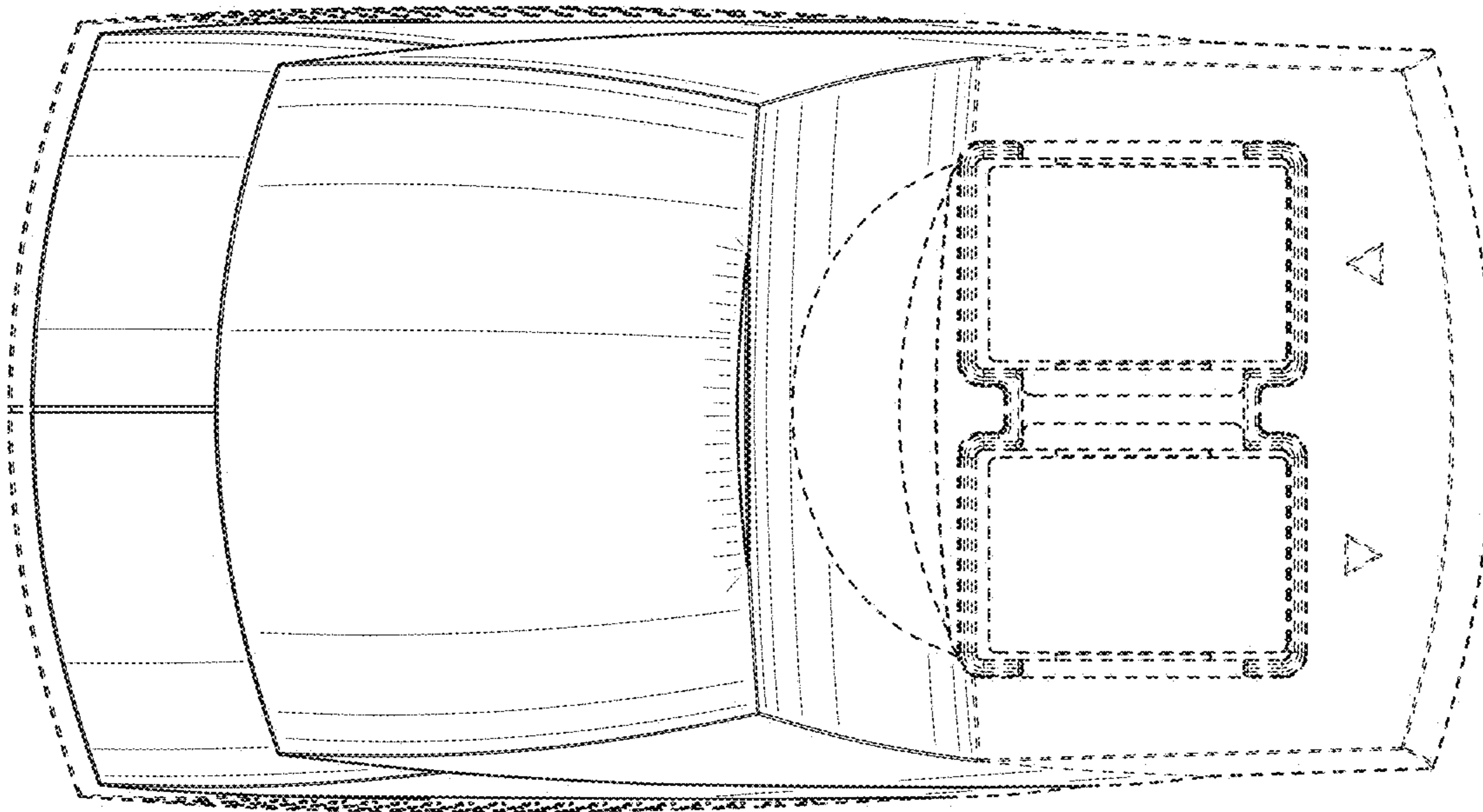


FIG. 18

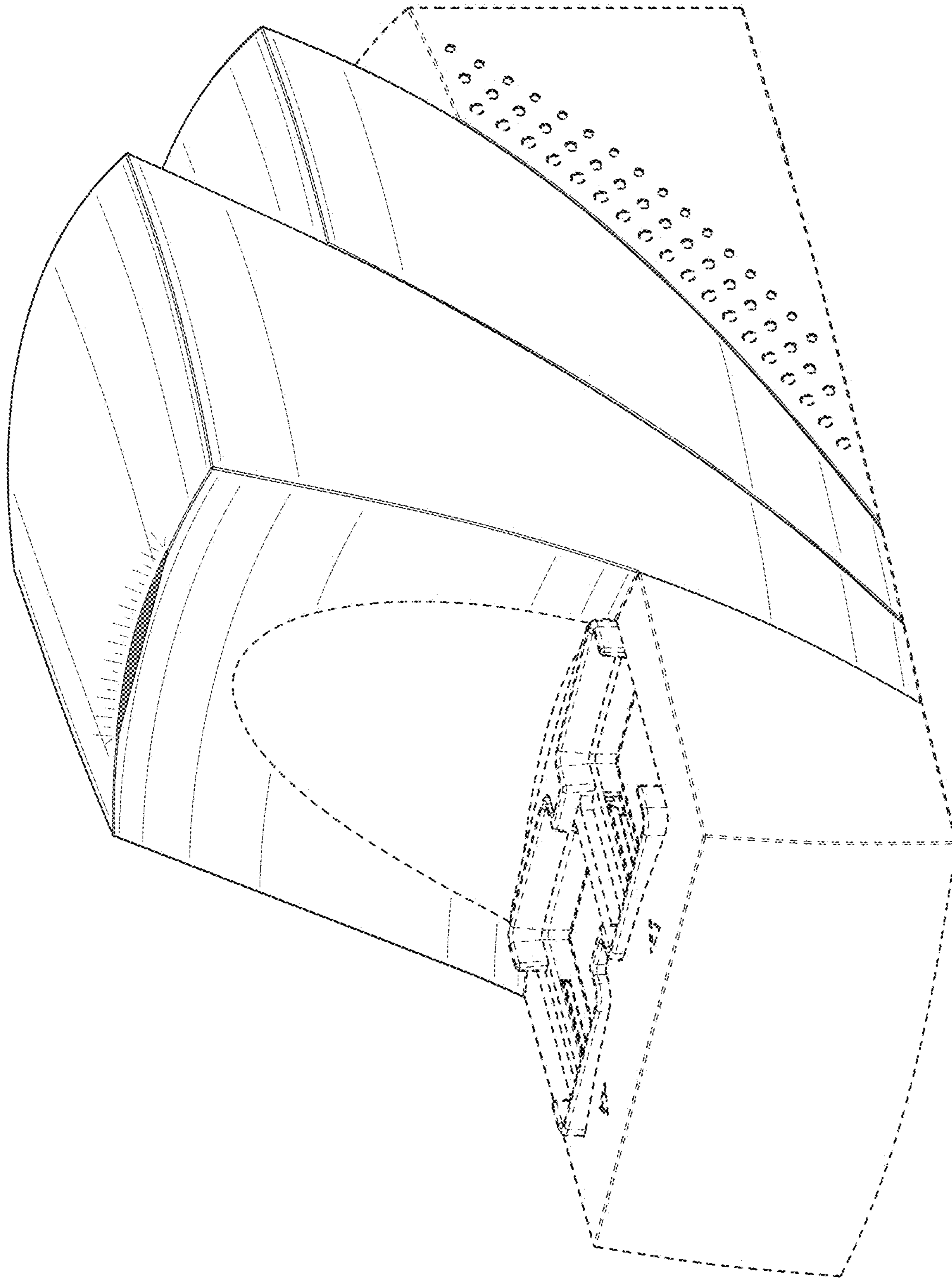


FIG. 19

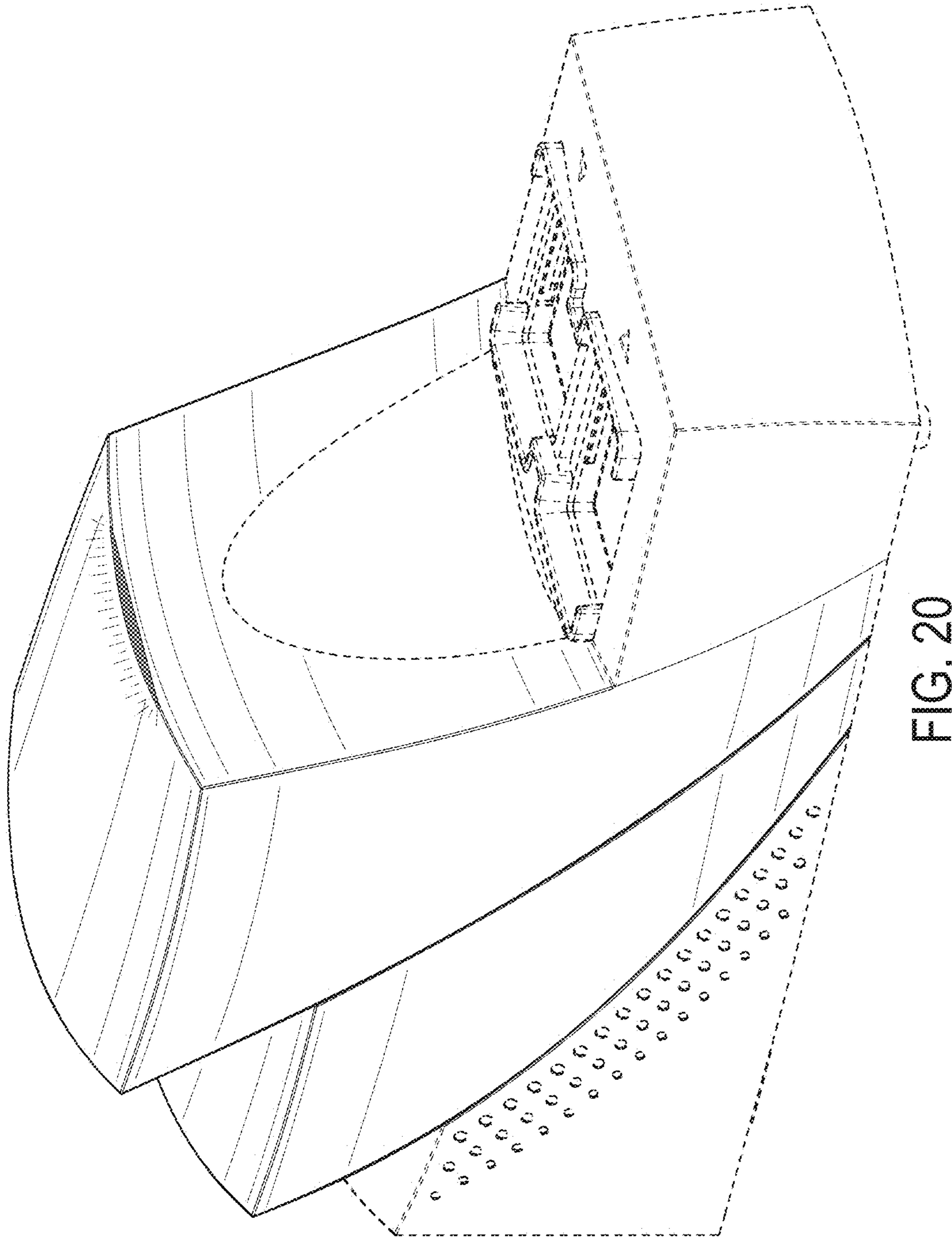


FIG. 20

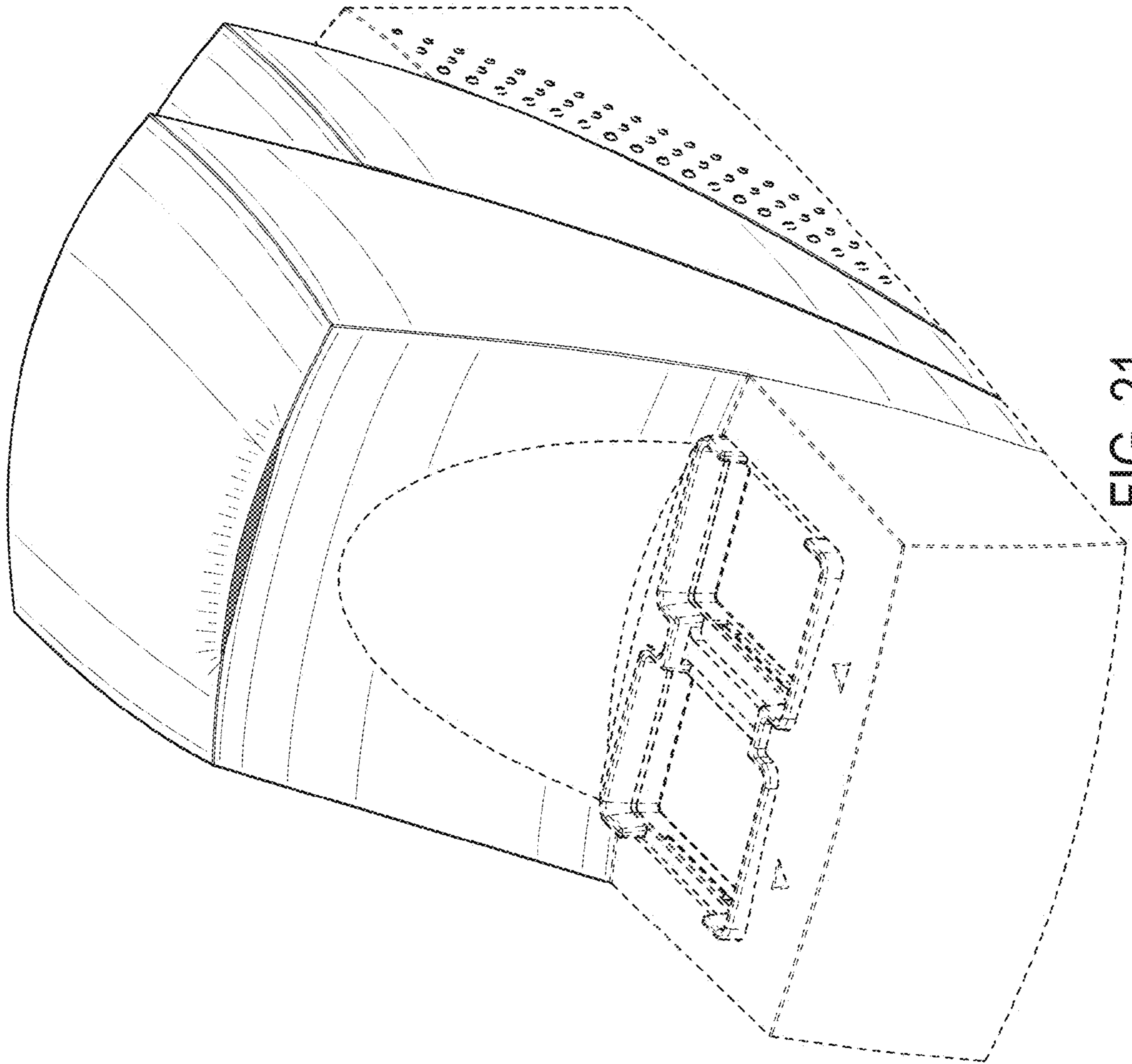


FIG. 21

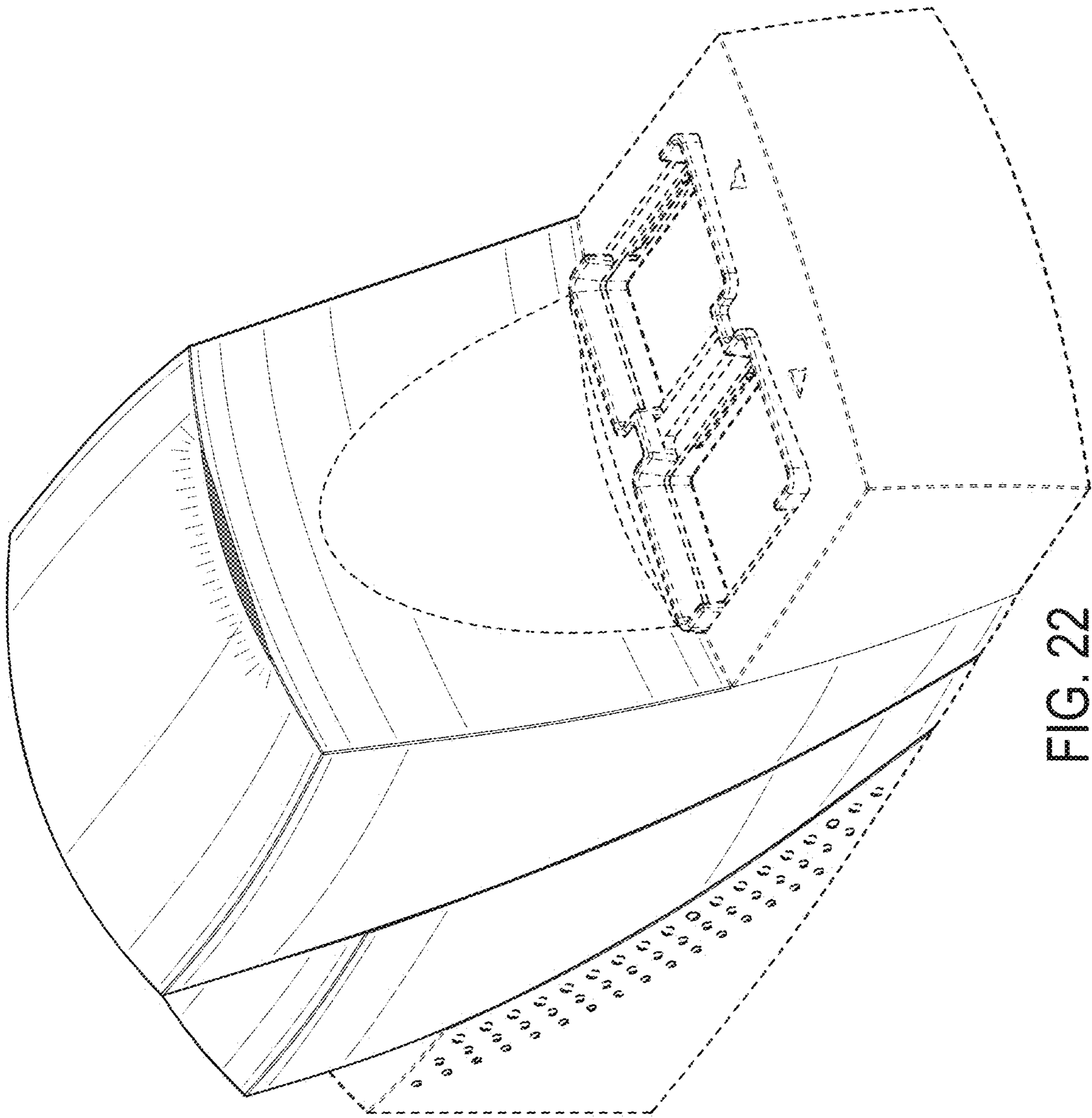


FIG. 22

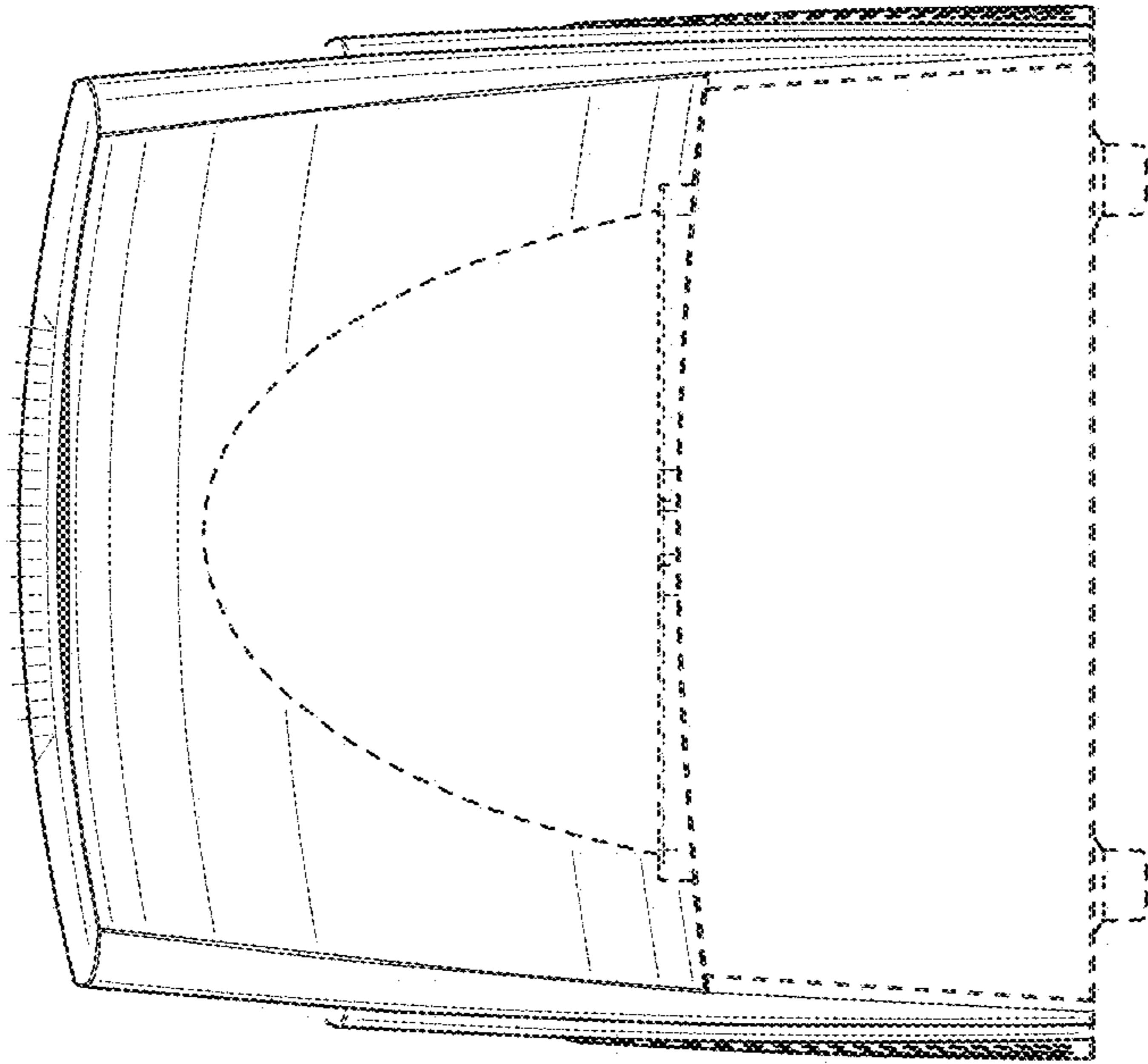


FIG. 24

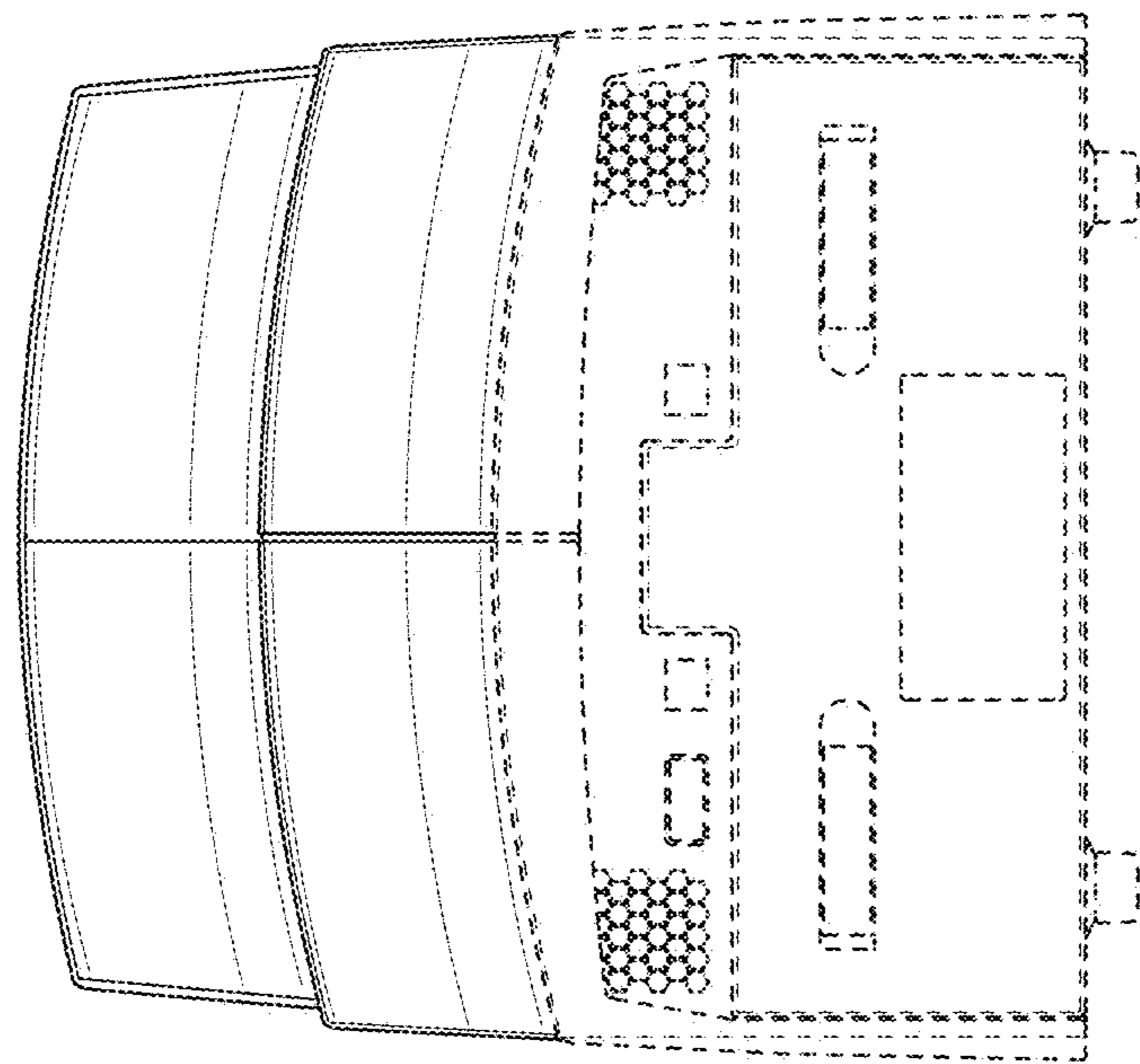


FIG. 23

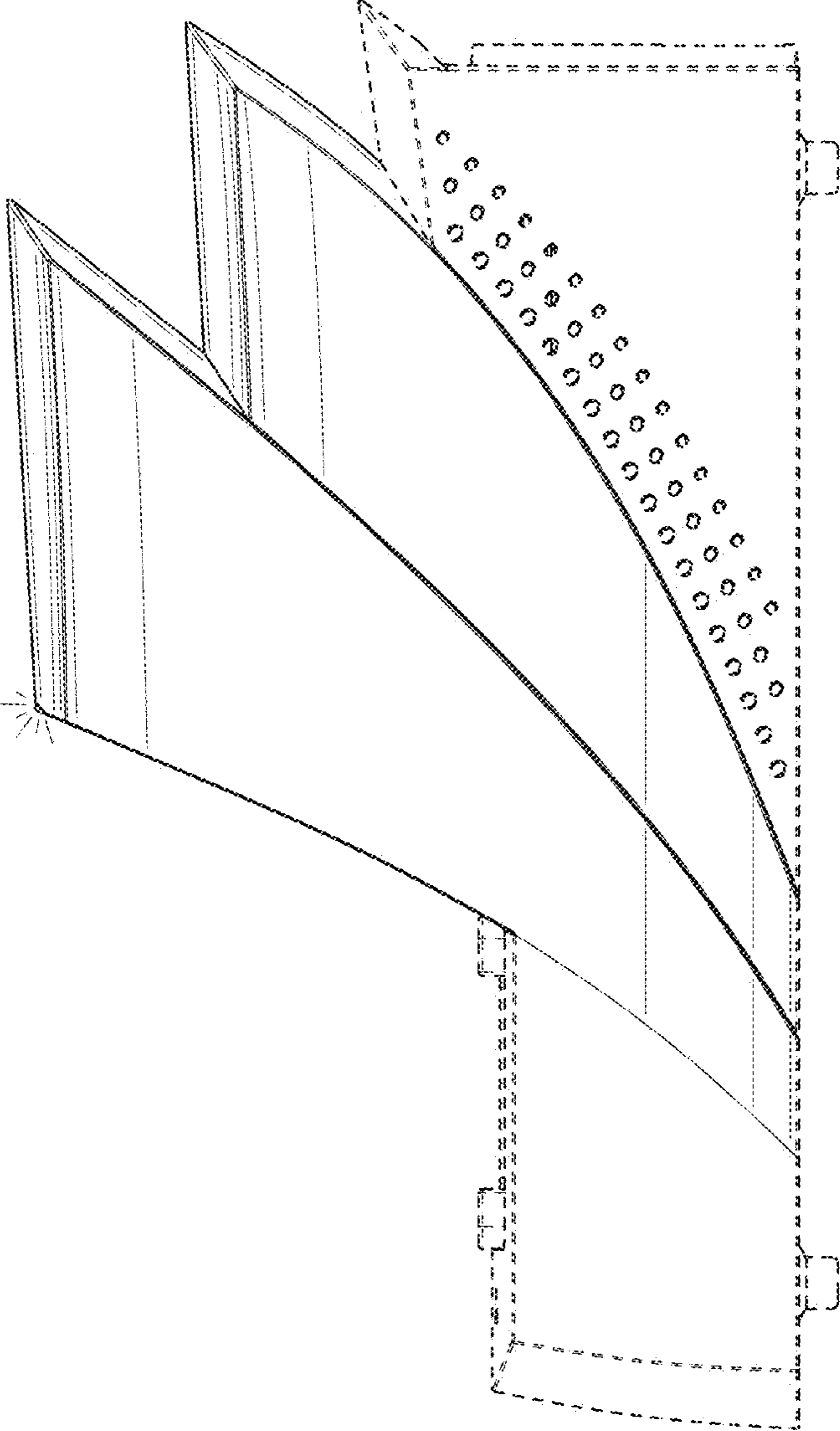


FIG. 25



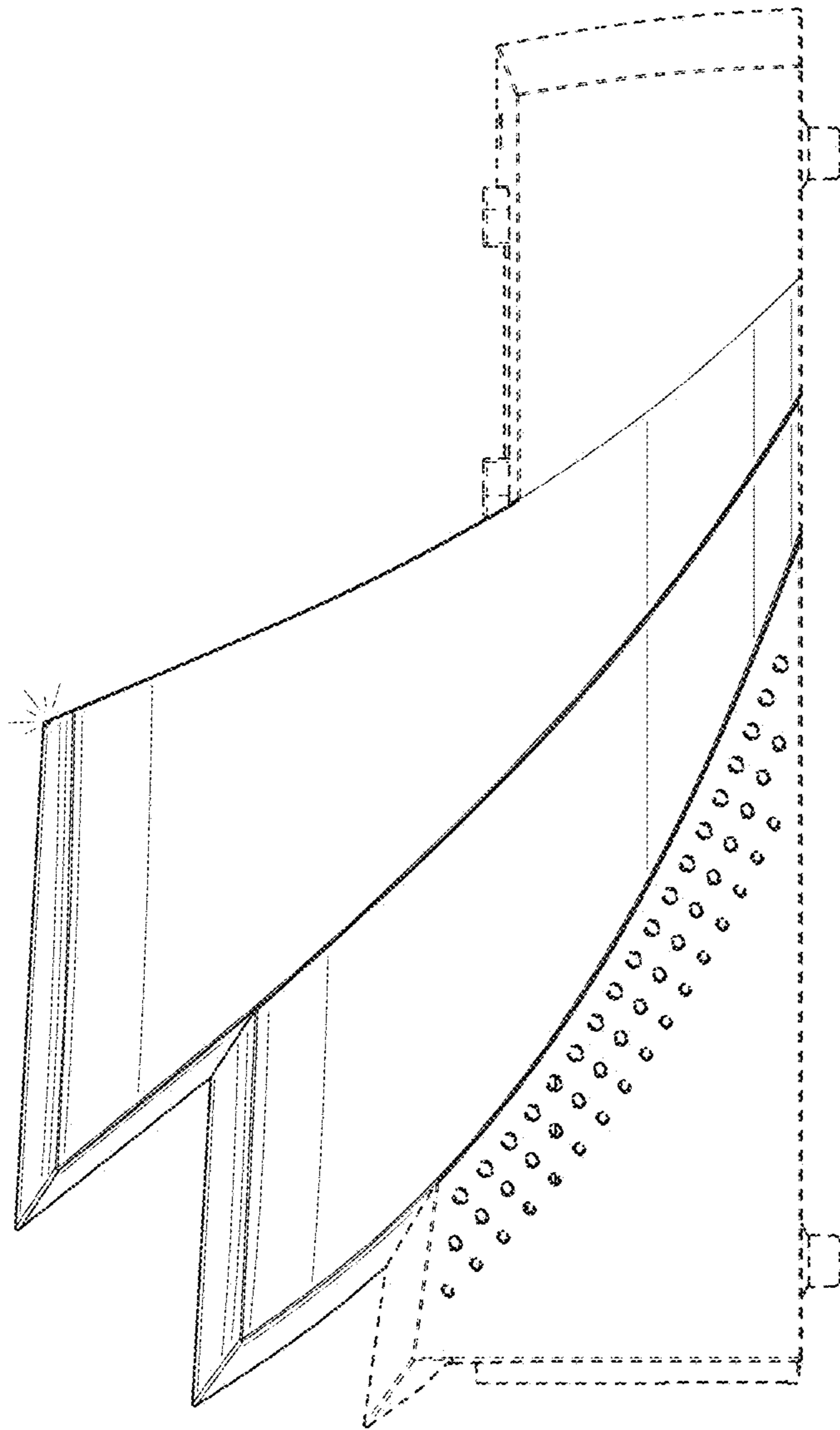


FIG. 26

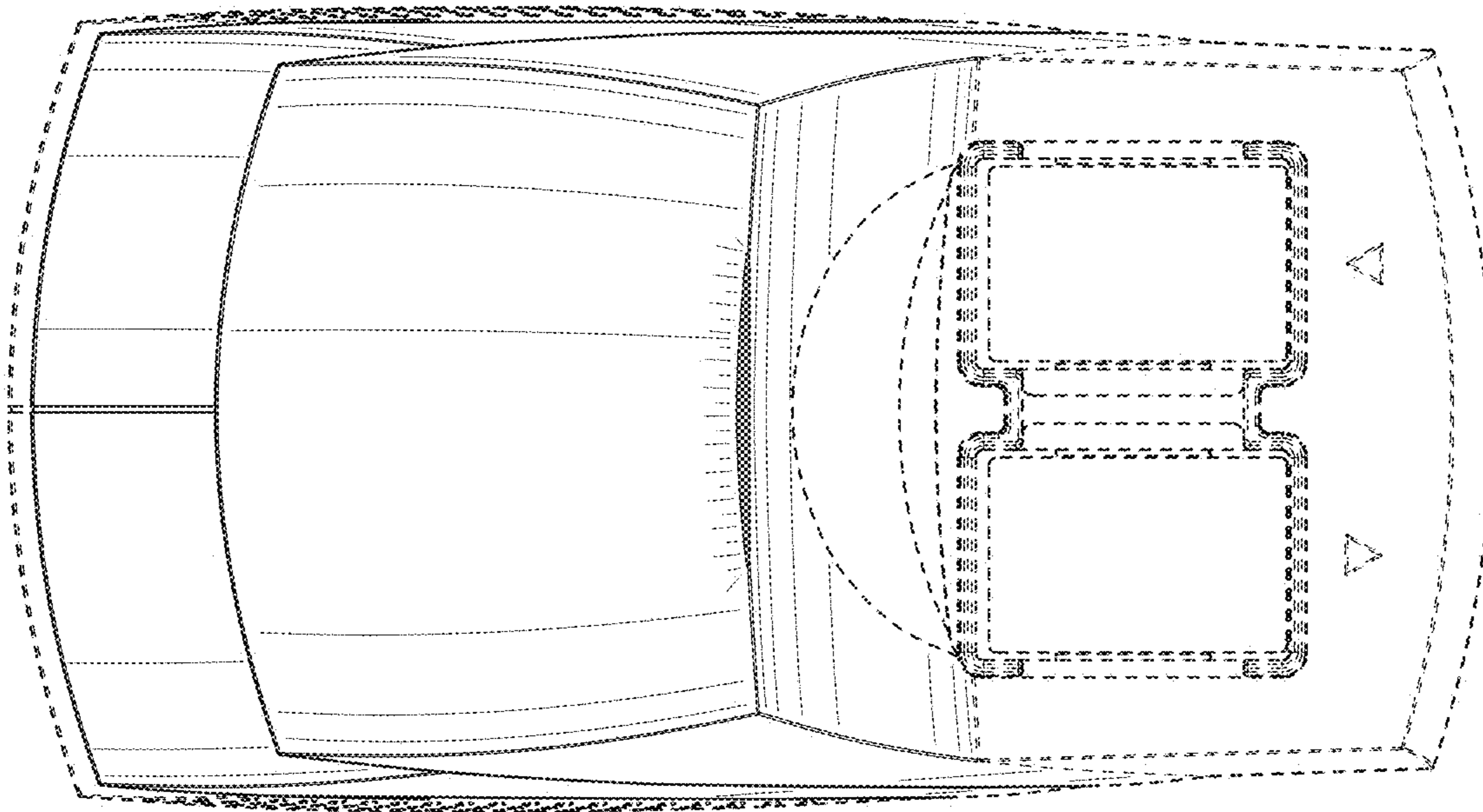


FIG. 27