



US00D976438S

(12) **United States Design Patent** (10) **Patent No.:** **US D976,438 S**  
**Hill et al.** (45) **Date of Patent:** **\*\* Jan. 24, 2023**

(54) **PIPETTE SYRINGE**

(71) Applicant: **Mettler-Toledo Rainin, LLC**, Oakland, CA (US)  
(72) Inventors: **Richard Hill**, Berkeley, CA (US);  
**Michael McNaul**, Sunnyvale, CA (US);  
**Jamie McPherson**, Cambridge (GB);  
**Stephen Grimwade**, Upwood Huntingdon (GB)  
(73) Assignee: **Mettler-Toledo Rainin, LLC**, Oakland, CA (US)

(\*\*) Term: **15 Years**

(21) Appl. No.: **29/774,009**

(22) Filed: **Mar. 12, 2021**

(51) **LOC (14) Cl.** ..... **24-02**

(52) **U.S. Cl.**  
USPC ..... **D24/222; D2/114**

(58) **Field of Classification Search**  
USPC ..... D24/112–114, 133, 186, 104, 130, 127, D24/221, 222  
CPC .... B01L 3/0237; B01L 3/0227; B01L 3/0279; B01L 2200/02; B01L 2300/06  
See application file for complete search history.

(56) **References Cited**

**U.S. PATENT DOCUMENTS**

D252,823 S \* 9/1979 Withers ..... D24/114  
D371,057 S \* 6/1996 Nicol ..... D24/114  
D384,163 S \* 9/1997 Husar ..... D24/114  
D414,562 S \* 9/1999 Tajima ..... D24/222  
D497,668 S \* 10/2004 Bogazzi ..... D24/146

(Continued)

**FOREIGN PATENT DOCUMENTS**

CN 303267810 \* 7/2015  
CN 306418821 \* 3/2021

(Continued)

**OTHER PUBLICATIONS**

Encode Syringe 0.1-12.5 mL ENC-SET, Encode, mt.com, [Post date unknown], [Site seen Aug. 31, 2022], Seen at URL: <https://www.mt.com/nz/en/home/products/pipettes/rainin-pipettes/pipetting-accessories/repeater-pipette-accessories/ENC-SET.html>, (Year: 2022).\*

(Continued)

*Primary Examiner* — Natasha Vujcic

*Assistant Examiner* — Gilbert B Ford

(74) *Attorney, Agent, or Firm* — Standley Law Group LLP; Jeffrey S. Standley; Adam J. Smith

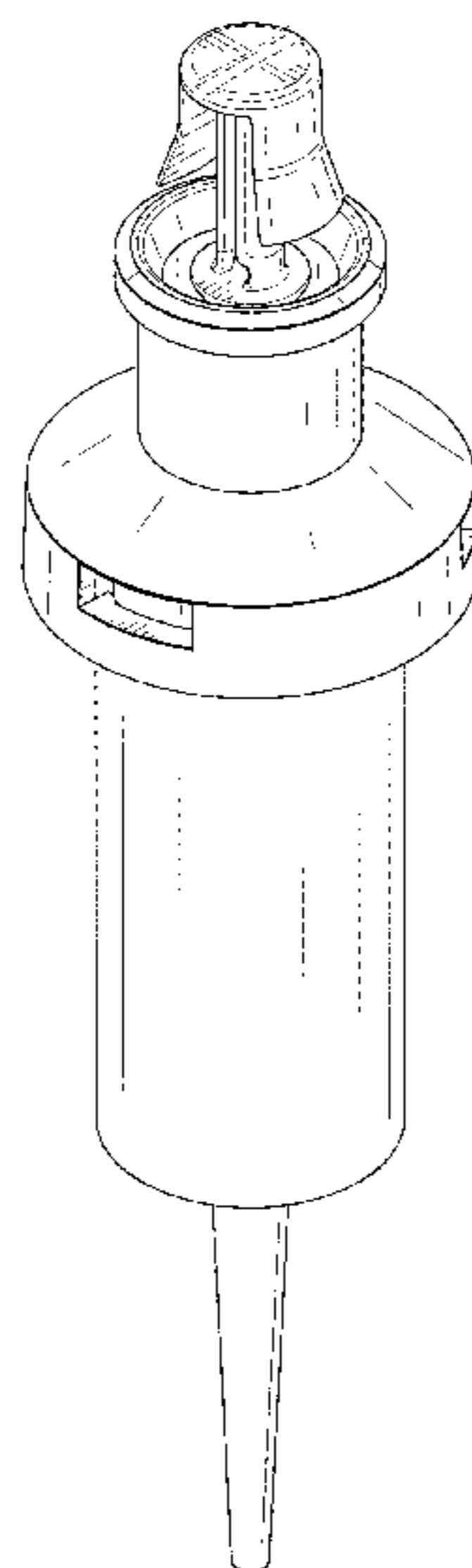
(57) **CLAIM**

We claim, the ornamental design for a pipette syringe, as shown and described.

**DESCRIPTION**

FIG. 1 is a top-front perspective view of a first embodiment of a pipette syringe;  
FIG. 2 is a front view thereof;  
FIG. 3 is a rear view thereof;  
FIG. 4 is a right side view thereof;  
FIG. 5 is a left side view thereof;  
FIG. 6 is a top view thereof;  
FIG. 7 is a bottom view thereof;  
FIG. 8 is a bottom-rear perspective view thereof;  
FIG. 9 is a top-front perspective view of a second embodiment of the new pipette syringe;  
FIG. 10 is a front view thereof;  
FIG. 11 is a rear view thereof;  
FIG. 12 is a right side view thereof;  
FIG. 13 is a left side view thereof;  
FIG. 14 is a top view thereof;  
FIG. 15 is a bottom view thereof; and,  
FIG. 16 is a bottom-rear perspective view thereof.  
The broken lines in the drawings illustrate portions of the pipette syringe and form no part of the claimed design.

**1 Claim, 10 Drawing Sheets**



(56)

References Cited

U.S. PATENT DOCUMENTS

D584,418 S \* 1/2009 Rylski ..... D24/222  
 D604,839 S \* 11/2009 Crawford ..... D24/130  
 D635,249 S \* 3/2011 Becker ..... D24/114  
 D706,946 S \* 6/2014 Lohn ..... D24/222  
 8,839,685 B2 9/2014 Löhn  
 D733,909 S \* 7/2015 Lohn ..... D24/222  
 D875,964 S \* 2/2020 Doebele ..... D24/222  
 D877,896 S \* 3/2020 Ritter ..... D24/114  
 D953,522 S \* 5/2022 Scott ..... D24/112  
 11,369,954 B2 \* 6/2022 Hill ..... B01L 3/0279  
 11,389,792 B2 \* 7/2022 Hill ..... B01L 3/022  
 2011/0088493 A1 \* 4/2011 Blumentritt ..... B01L 3/0234  
 422/516  
 2012/0204660 A1 \* 8/2012 Lohn ..... A61M 5/31513  
 73/864.62  
 2021/0121869 A1 \* 4/2021 McNaul ..... B01L 3/0237  
 2021/0121872 A1 \* 4/2021 McNaul ..... B01L 3/022  
 2021/0213440 A1 \* 7/2021 Krasheninina ..... B01L 3/0275

FOREIGN PATENT DOCUMENTS

EM 009002926-0004 5/2022  
 EM 009002926-0005 \* 5/2022

EP 1724020 B1 3/2010  
 EP 2574402 B1 3/2015  
 JP 4893073 B2 1/2012  
 JP D1640087 \* 8/2019

OTHER PUBLICATIONS

Brand: Pipette Tips / PD tips: PD-Tips 50ml Encoded IVD Bulk Packed, PD Tips, [Post date unknown], [Site seen Aug. 31, 2022], Seen at URL: <https://kinesis-australia.com.au/brand-pipette-tips-pd-tips-pd-tips-50ml-encoded-ivd-bulk-packed-702382.html> (Year: 2022).  
 Eppendorf AG, Multipette E3/E3x, accessed online at <https://online-shop.eppendorf.com/OC-en/Manual-Liquid-Handling-44563/Pipettes-44564/MultipetteE3-E3x-PF-135444.html>, 2019, 8 pages.  
 Kinesis Australia Pty Ltd., Brand: Pipette Tips / PD tips: PD-Tips 50 ml Encoded IVD Bulk Packed, accessed online Aug. 29, 2022 at <https://kinesis-australia.com.au/brand-pipette-tips-pd-tips-pd-tips-50ml-encoded-ivd-bulk-packed-702382.html>, 2022, 1 page.  
 Mettler Toledo, Encode Syringe 0.1-12.5 mL ENC-SET, accessed online Aug. 29, 2022 at <https://www.mt.com/nz/en/home/products/pipettes/rainin-pipettes/pipetting-accessories/repeater-pipette-accessories/ENC-SET.html>, 2022, 2 pages.

\* cited by examiner

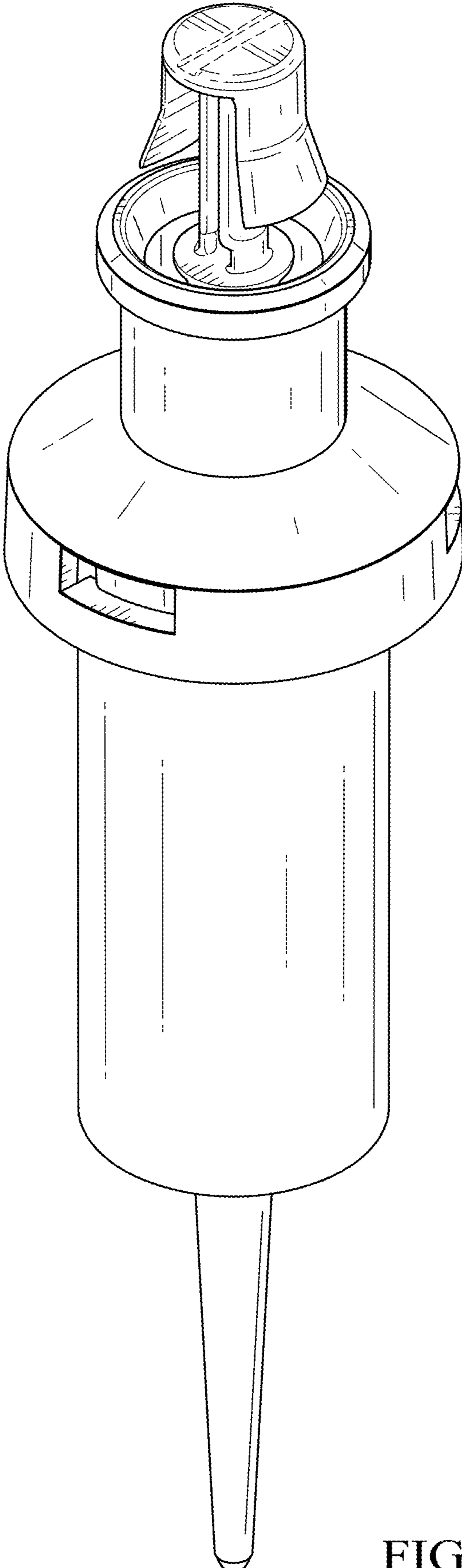
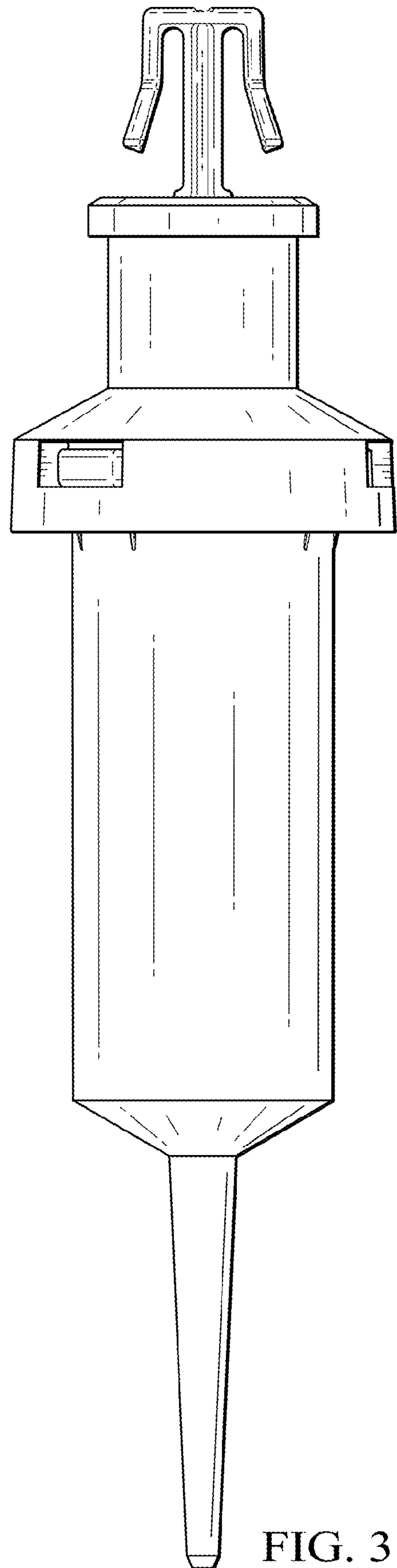
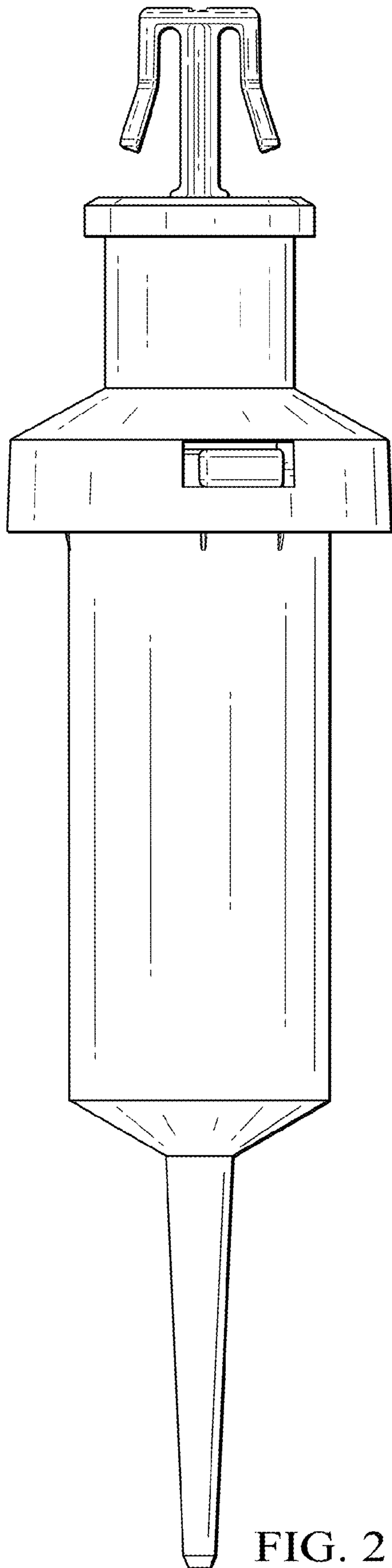


FIG. 1



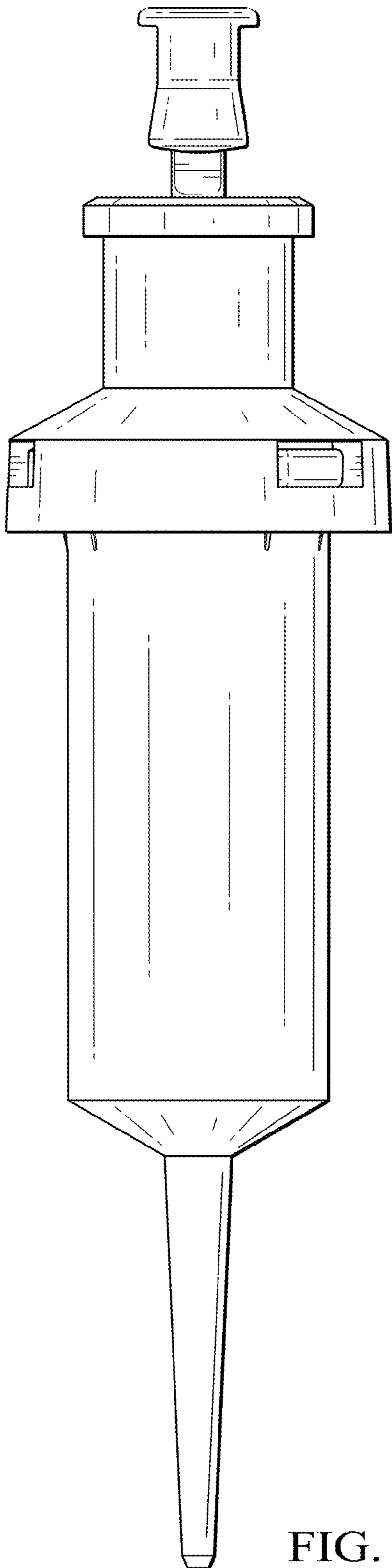


FIG. 4

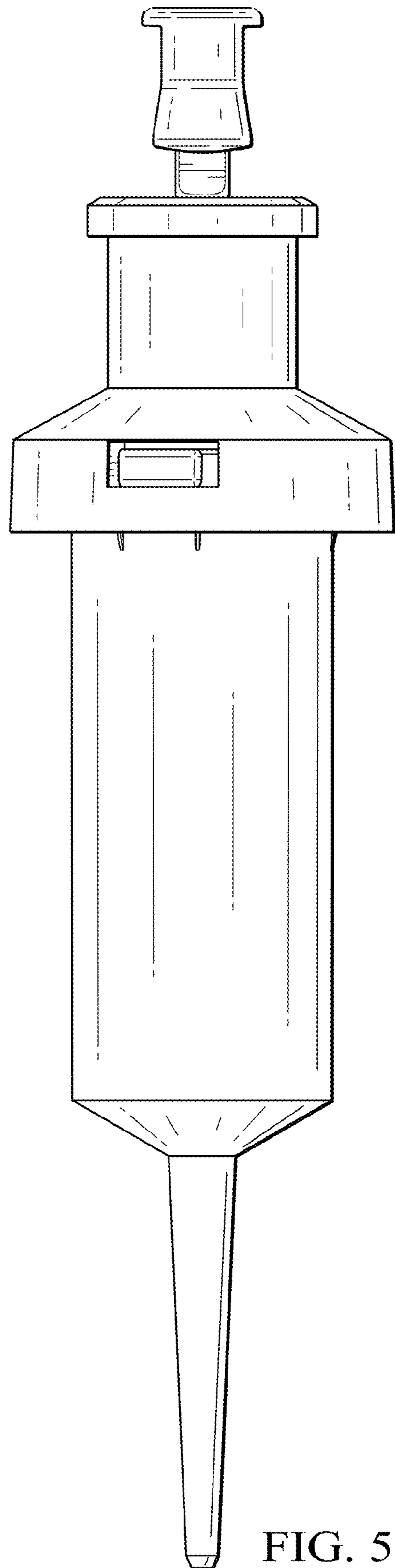


FIG. 5

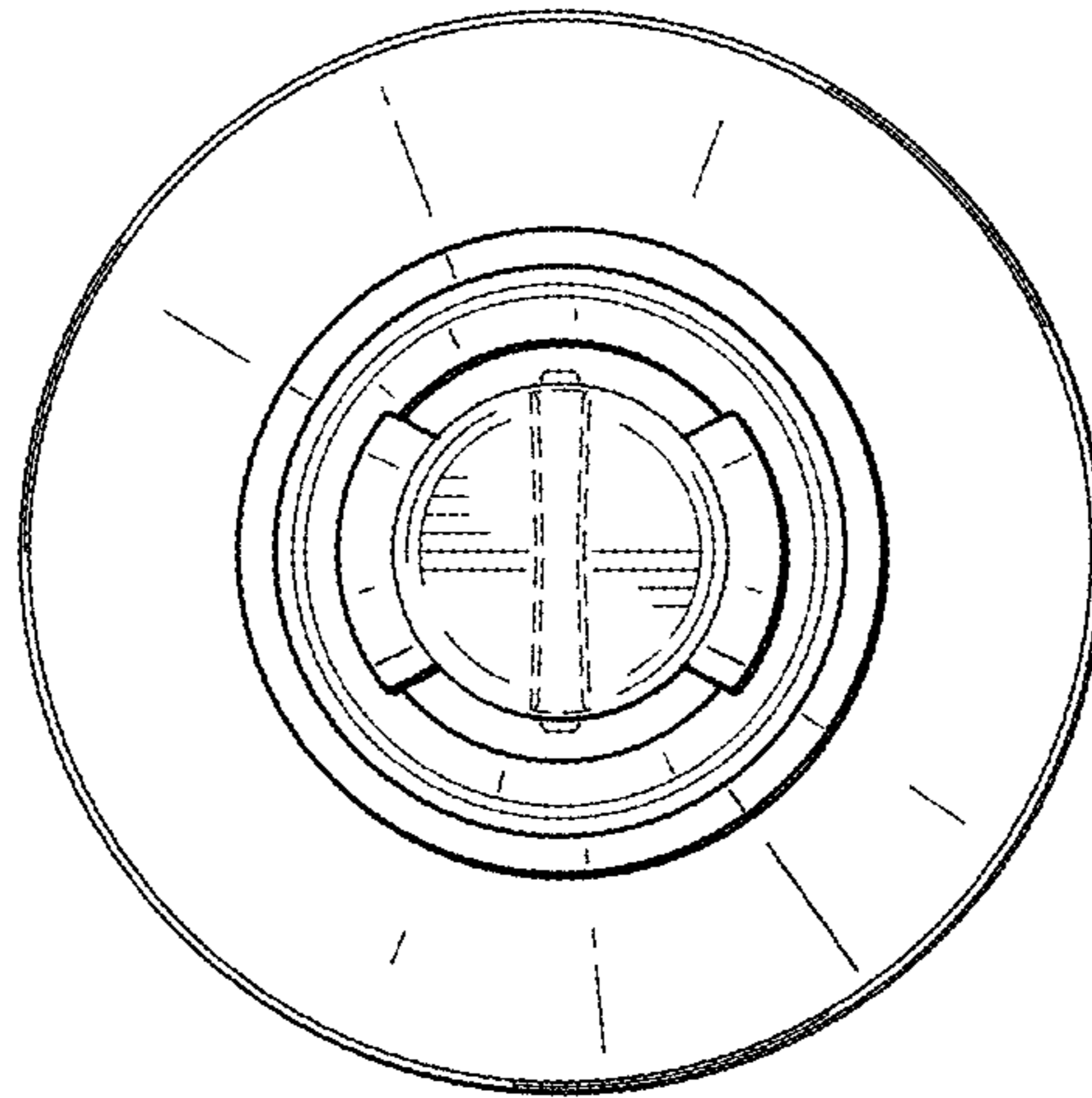


FIG. 6

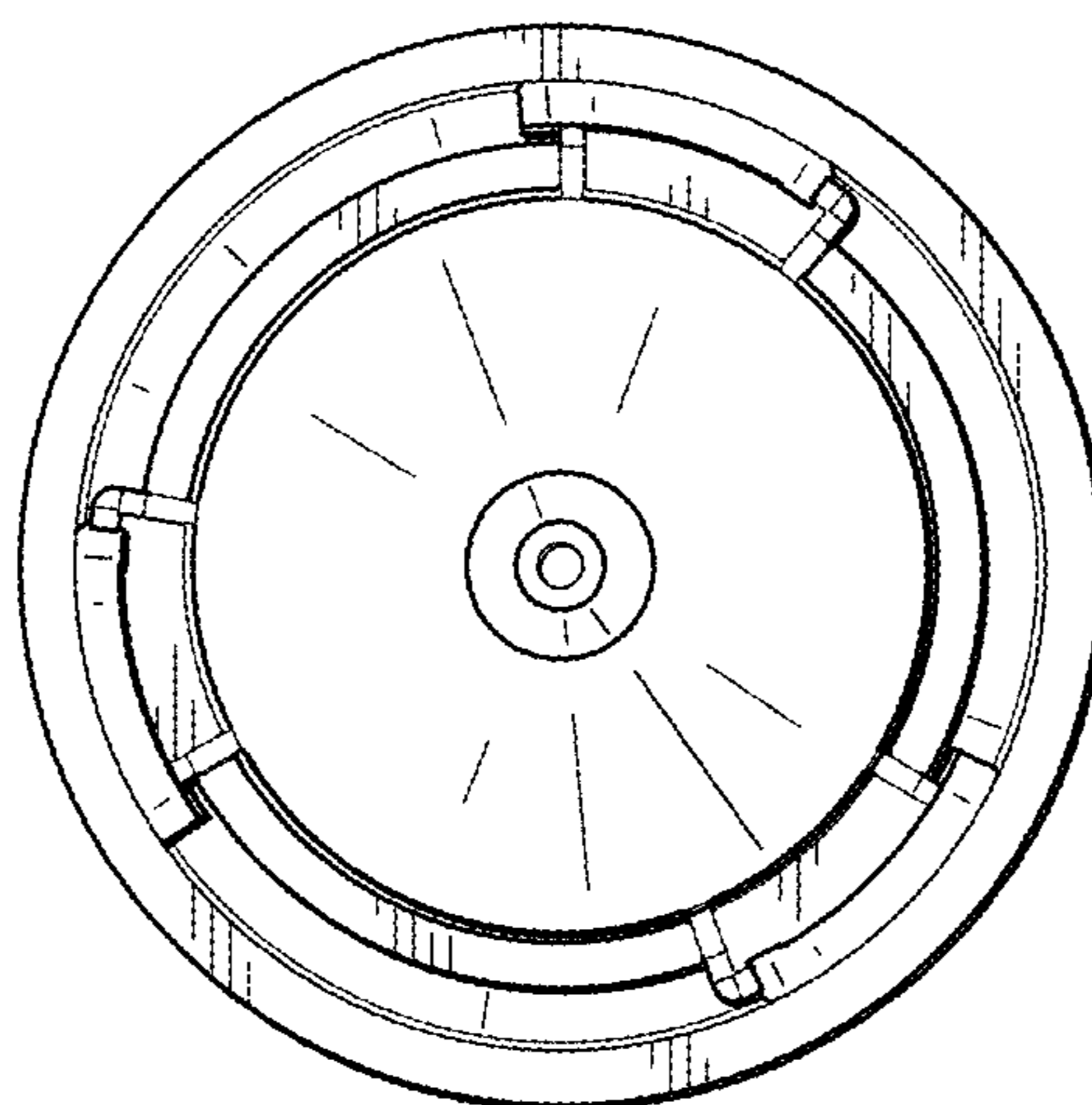


FIG. 7

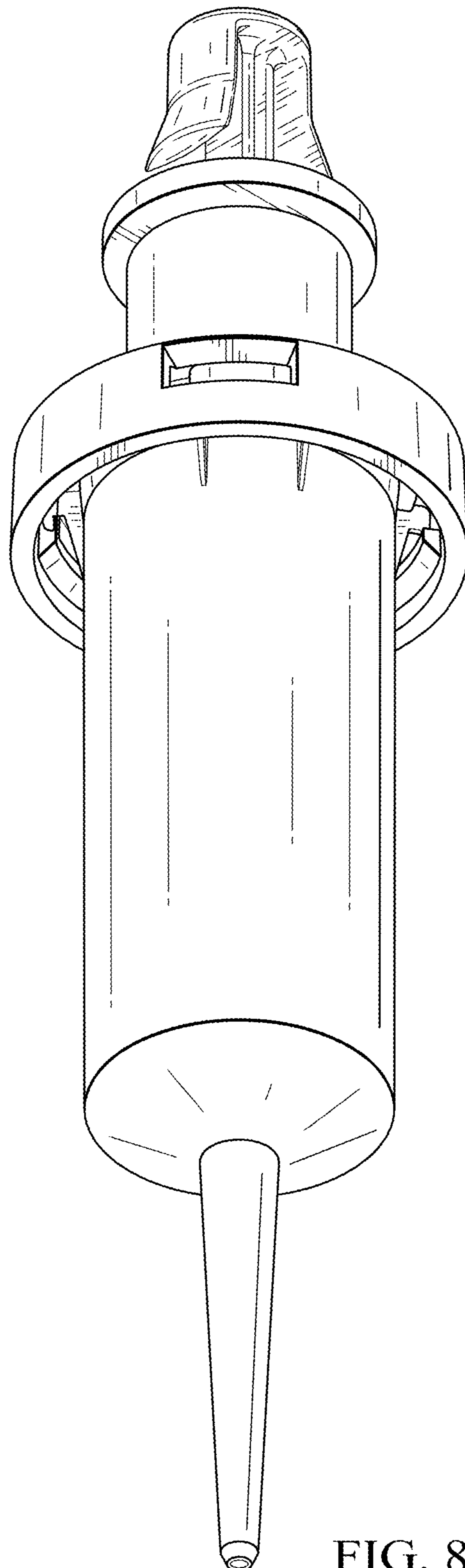


FIG. 8

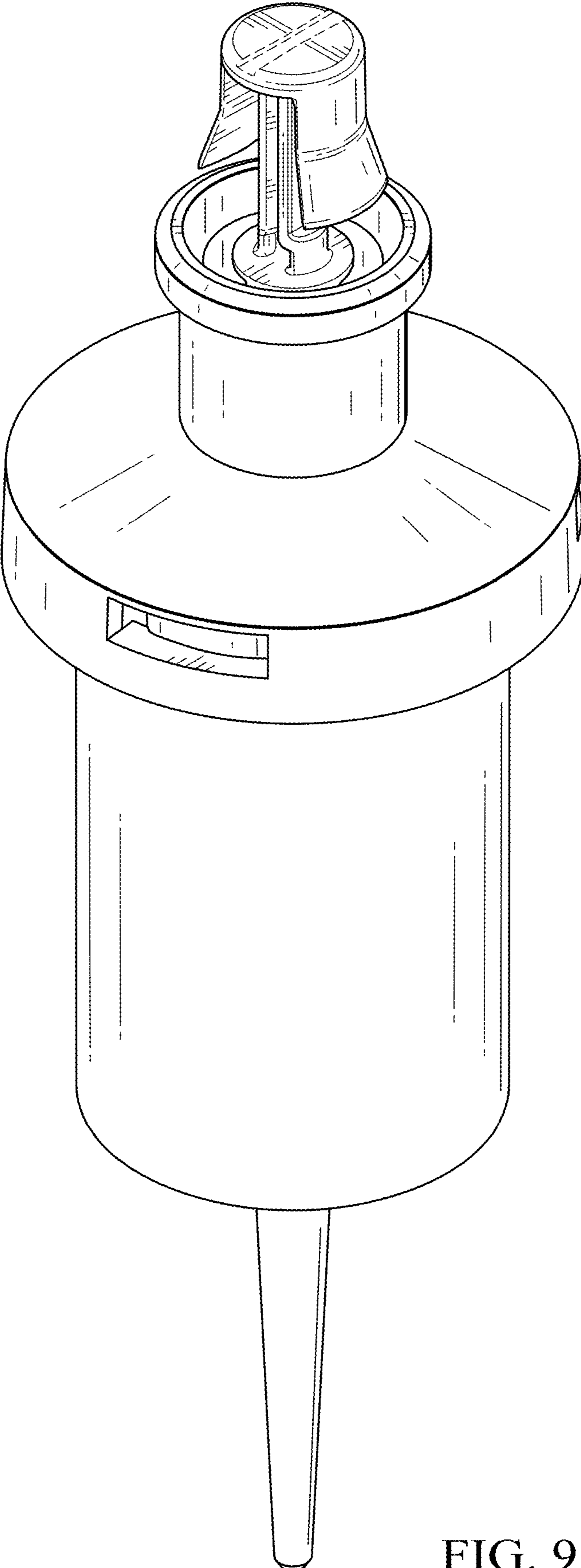
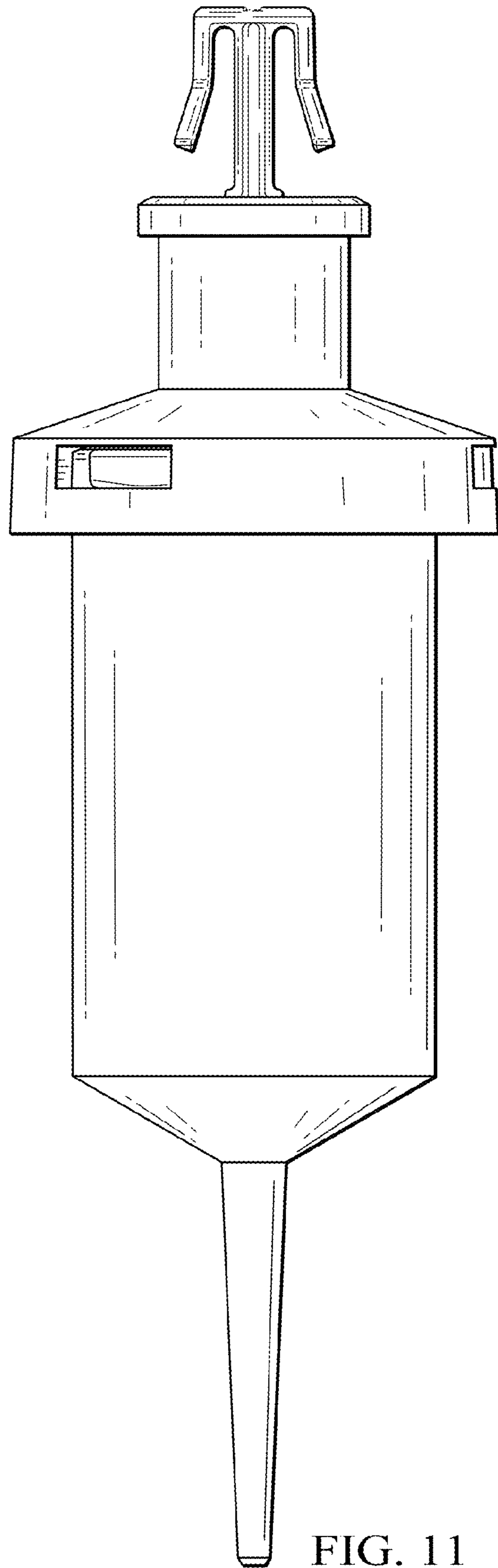
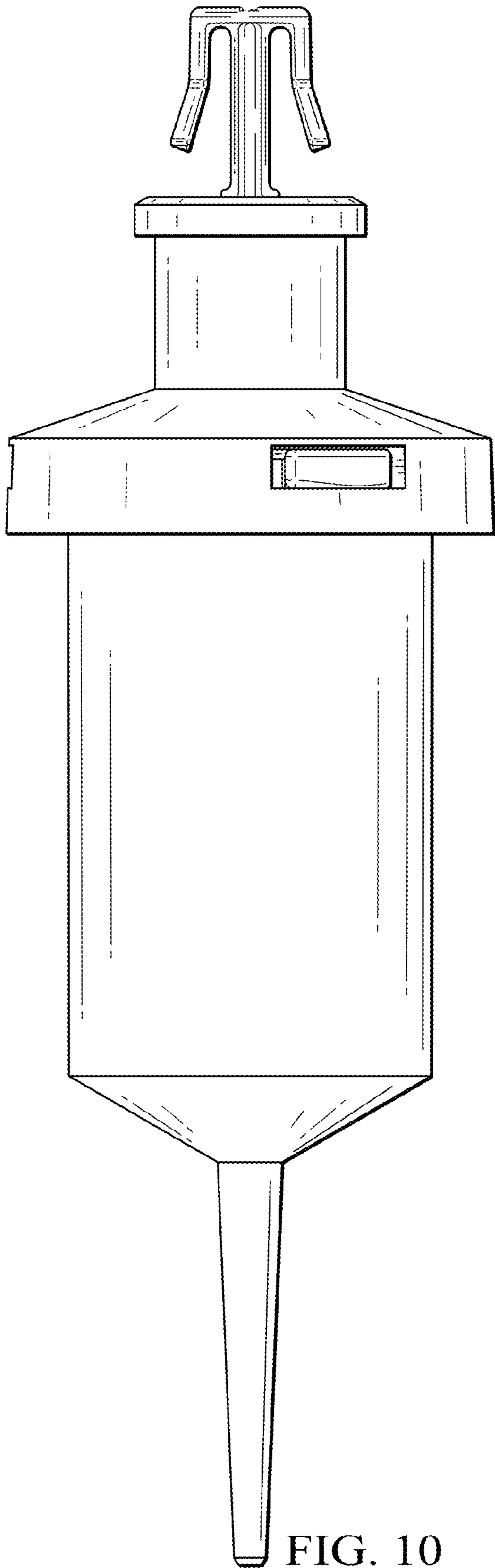


FIG. 9





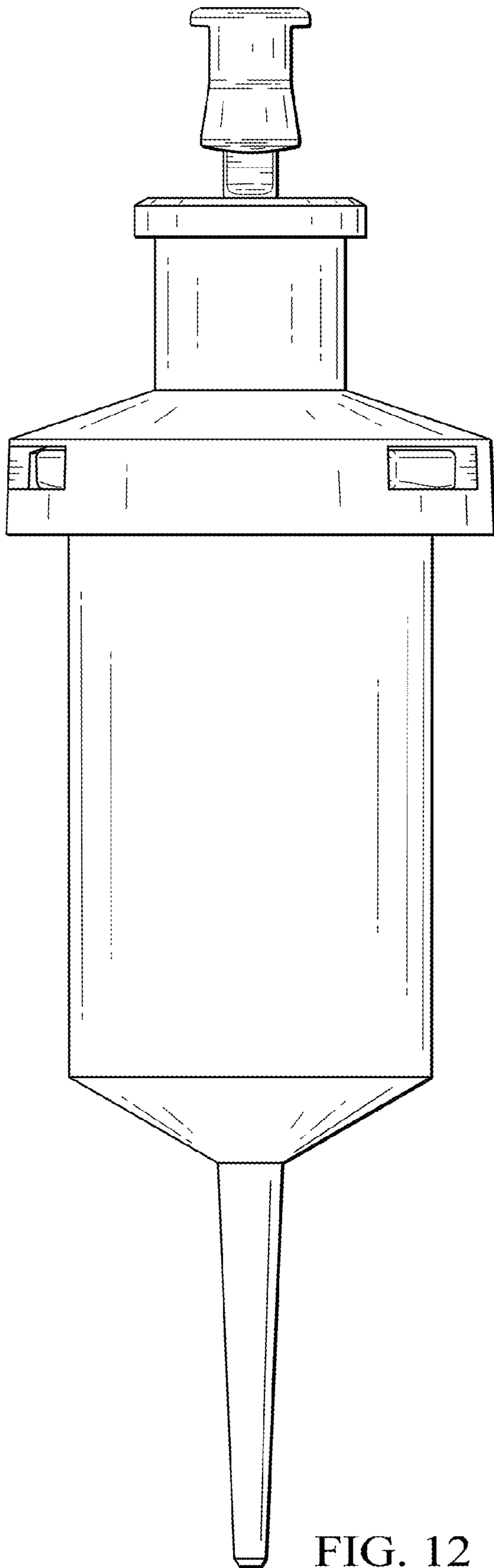


FIG. 12

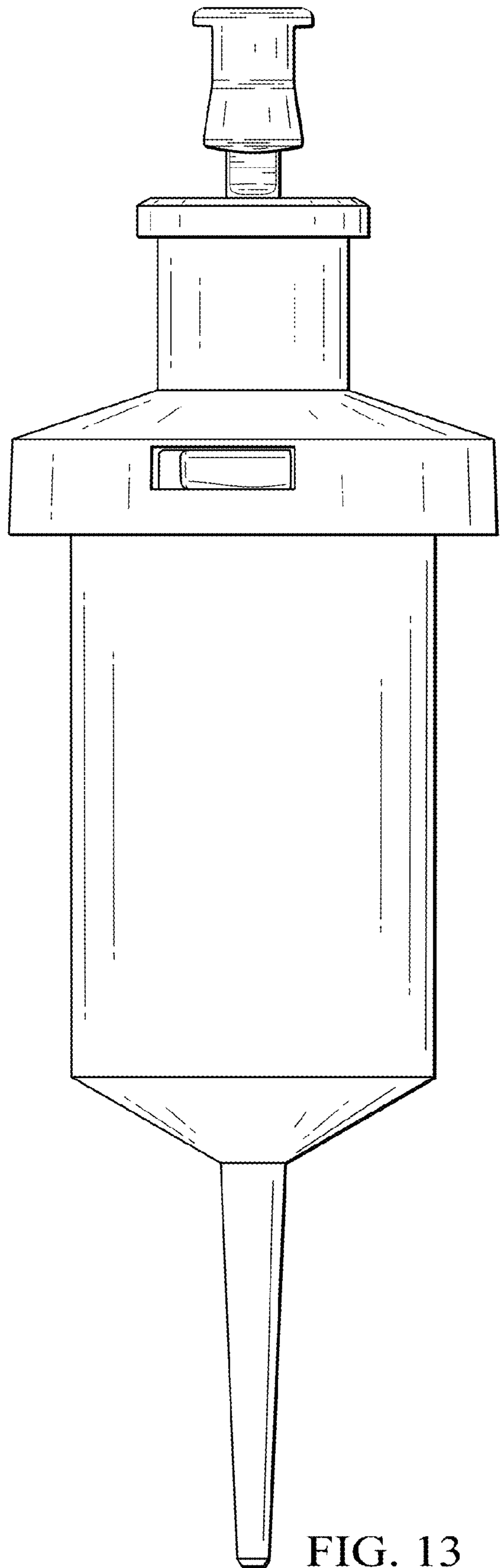


FIG. 13

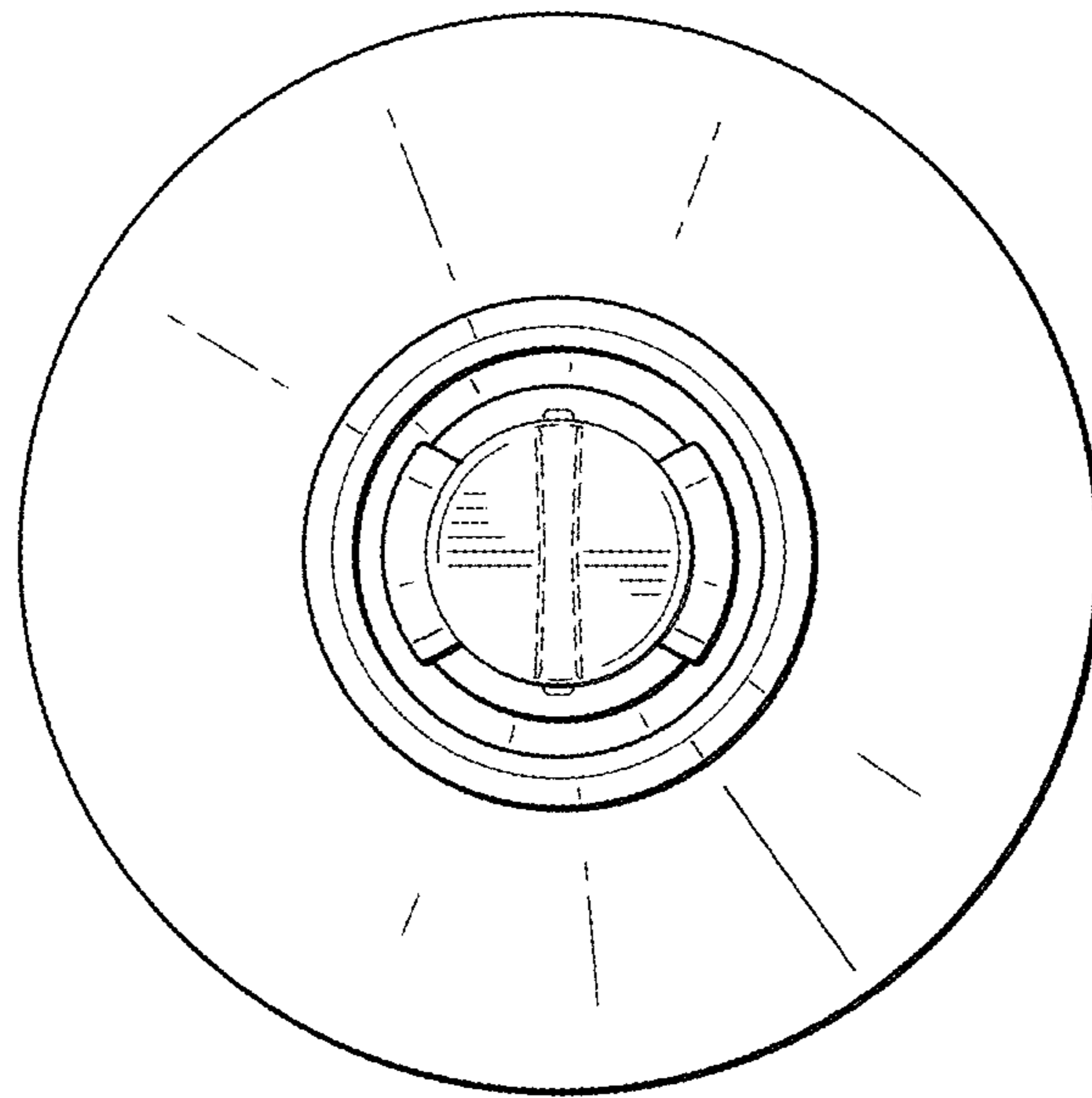


FIG. 14

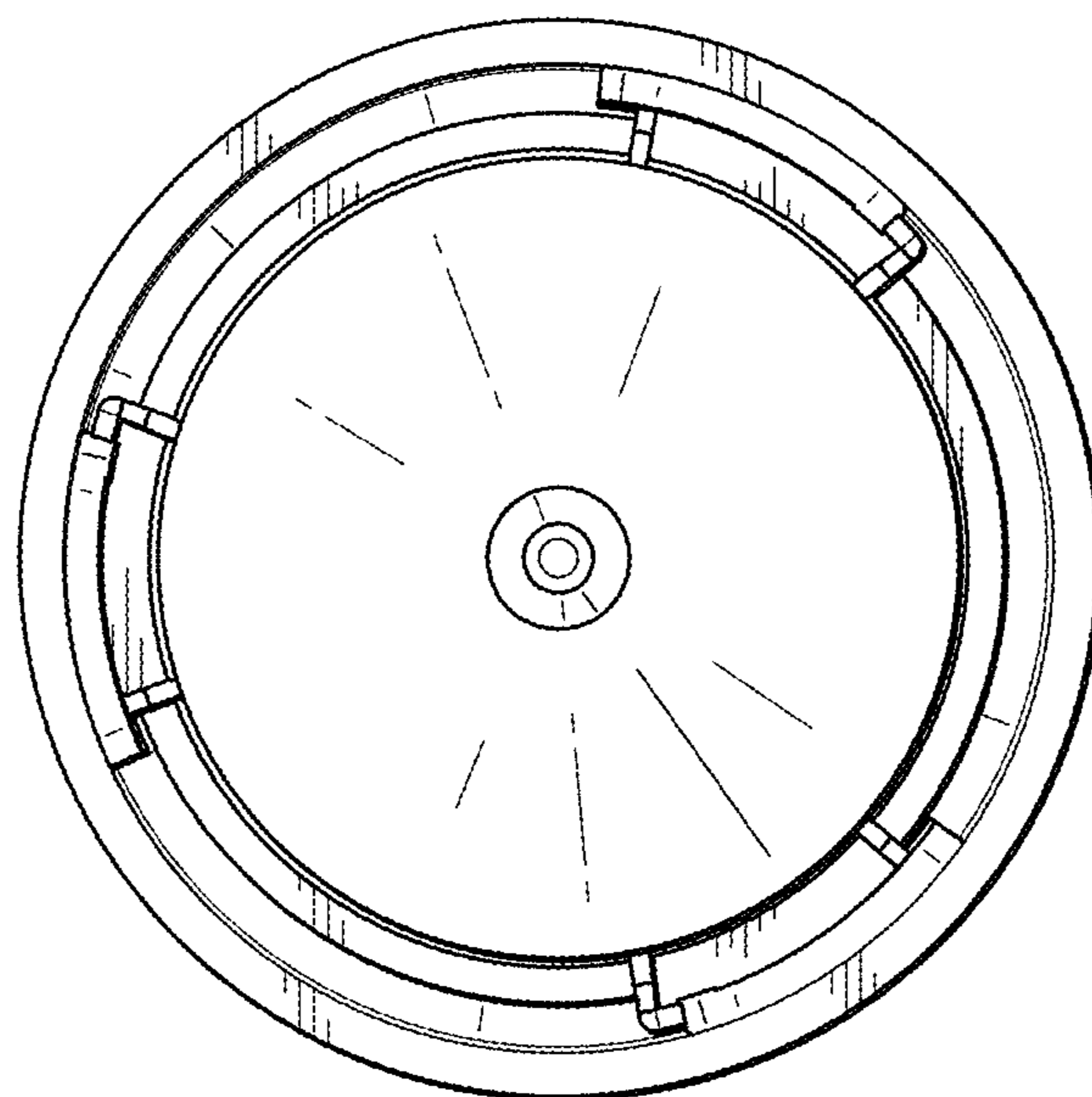


FIG. 15

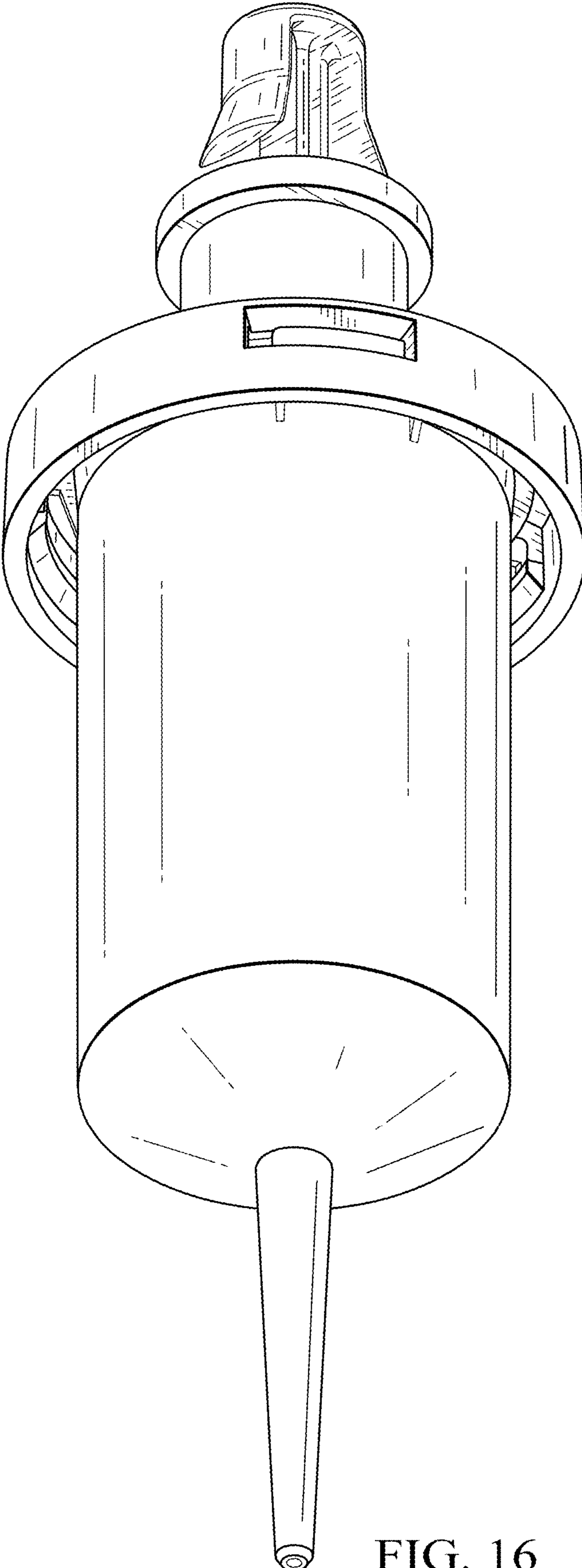


FIG. 16