



US00D976436S

(12) **United States Design Patent**  
**Modica et al.**

(10) **Patent No.:** **US D976,436 S**  
(45) **Date of Patent:** **\*\* Jan. 24, 2023**

- (54) **PROCESSING ASSEMBLY**
- (71) Applicant: **MaxCyte, Inc.**, Gaithersburg, MD (US)
- (72) Inventors: **Frank Modica**, Silver Spring, MD (US); **Nicholas Chopas**, Germantown, MD (US); **James William Luther**, Milan (IT); **Bertold Engler**, Altensteig (DE); **Andrea Besana**, Seveso (IT); **Thomas Alan Peach**, Milan (IT)
- (73) Assignee: **MaxCyte, Inc.**, Rockville, MD (US)
- (\*\*) Term: **15 Years**
- (21) Appl. No.: **29/788,537**
- (22) Filed: **Jun. 17, 2021**

D782,064 S \* 3/2017 Shanafelter ..... D24/227  
 D943,760 S \* 2/2022 Luther ..... D24/216  
 D944,410 S \* 2/2022 Luther ..... D24/216  
 2015/0298120 A1 \* 10/2015 Westberg ..... B01L 3/502  
 435/6.12  
 2021/0348109 A1 \* 11/2021 Modica ..... C12M 35/02

\* cited by examiner

*Primary Examiner* — Anhdao Doan  
(74) *Attorney, Agent, or Firm* — Finnegan, Henderson, Farabow, Garrett & Dunner, LLP

(57) **CLAIM**

The ornamental design for a processing assembly, as shown and described.

**DESCRIPTION**

FIG. 1 is a front, left, top perspective view of a processing assembly, showing the new design in an open configuration; FIG. 2 is rear, right, bottom perspective view thereof; FIG. 3 is a front elevation view thereof; FIG. 4 is a rear elevation view thereof; FIG. 5 is a left side view thereof; FIG. 6 is a right side view thereof; FIG. 7 is a top plan view thereof; FIG. 8 is a bottom plan view thereof; FIG. 9 is a front, left, top perspective view of a processing assembly, showing the new design in a closed configuration; FIG. 10 is rear, right, bottom perspective view thereof; FIG. 11 is a front elevation view thereof; FIG. 12 is a rear elevation view thereof; FIG. 13 is a left side view thereof; FIG. 14 is a right side view thereof; FIG. 15 is a top plan view thereof; and, FIG. 16 is a bottom plan view thereof.

The broken lines of even length shown in the drawings illustrate portions of the processing assembly that form no part of the claimed design.

**1 Claim, 16 Drawing Sheets**

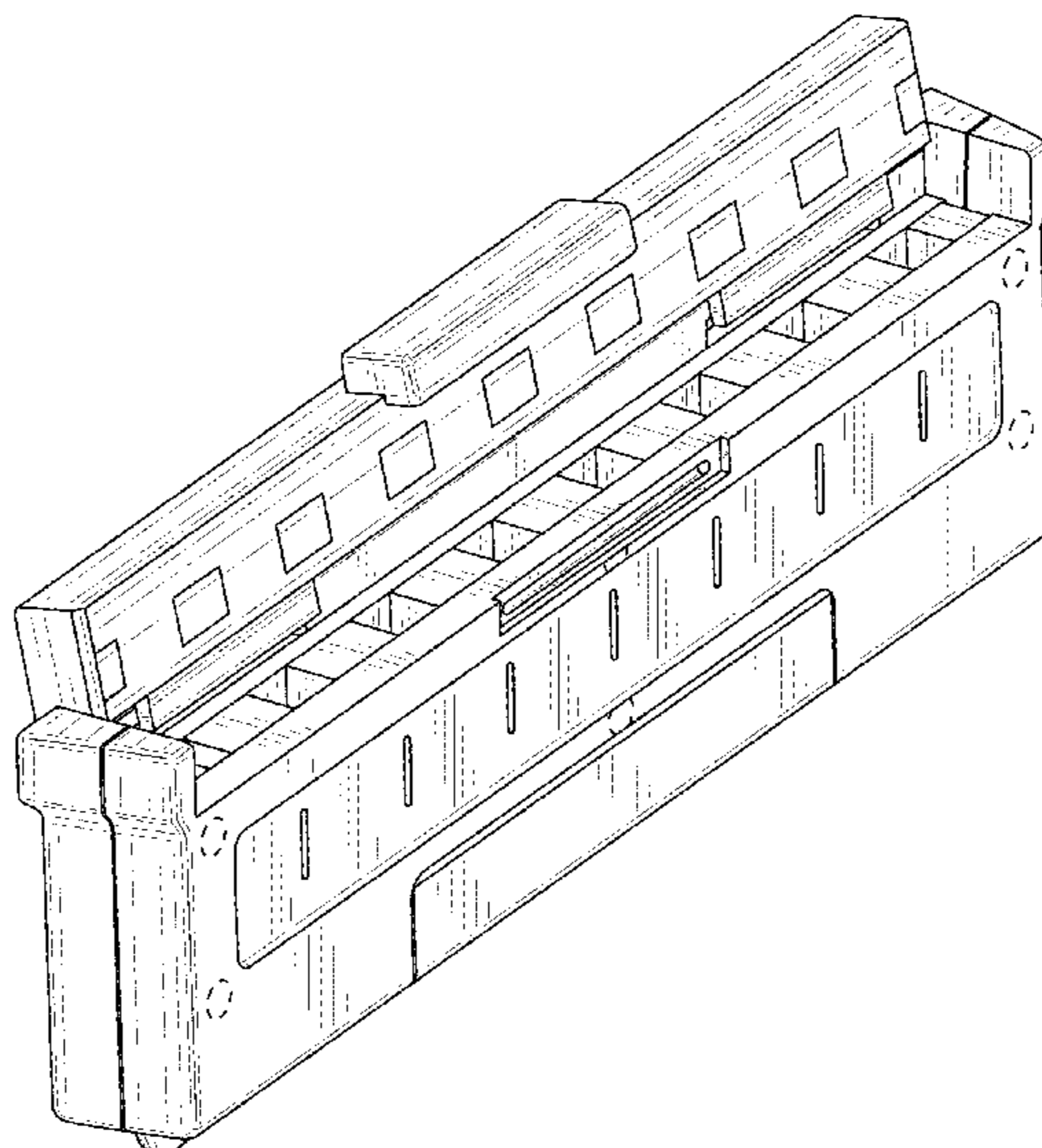
**Related U.S. Application Data**

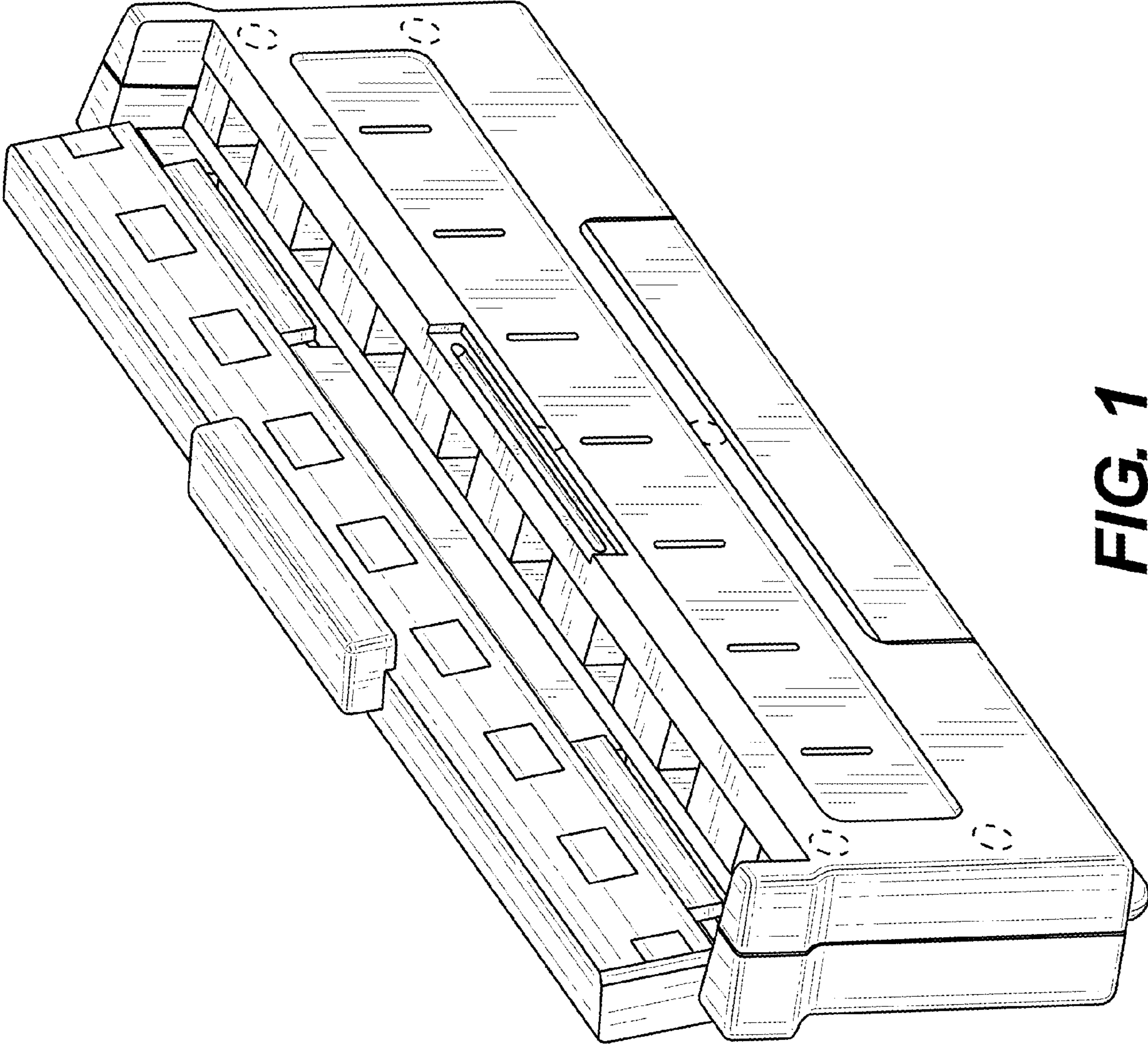
- (63) Continuation of application No. 17/317,797, filed on May 11, 2021.
- (51) **LOC (14) Cl.** ..... **24-01**
- (52) **U.S. Cl.**  
USPC ..... **D24/216; D24/227**
- (58) **Field of Classification Search**  
USPC ..... D24/107, 186, 216, 232, 233, 234, 121, D24/122, 223, 224, 225, 227, 231, 119; D10/81  
CPC ..... B01L 3/502; B01L 3/523; B01L 2200/18; B01L 2300/0809; C12M 23/12; C12M 23/42  
See application file for complete search history.

(56) **References Cited**

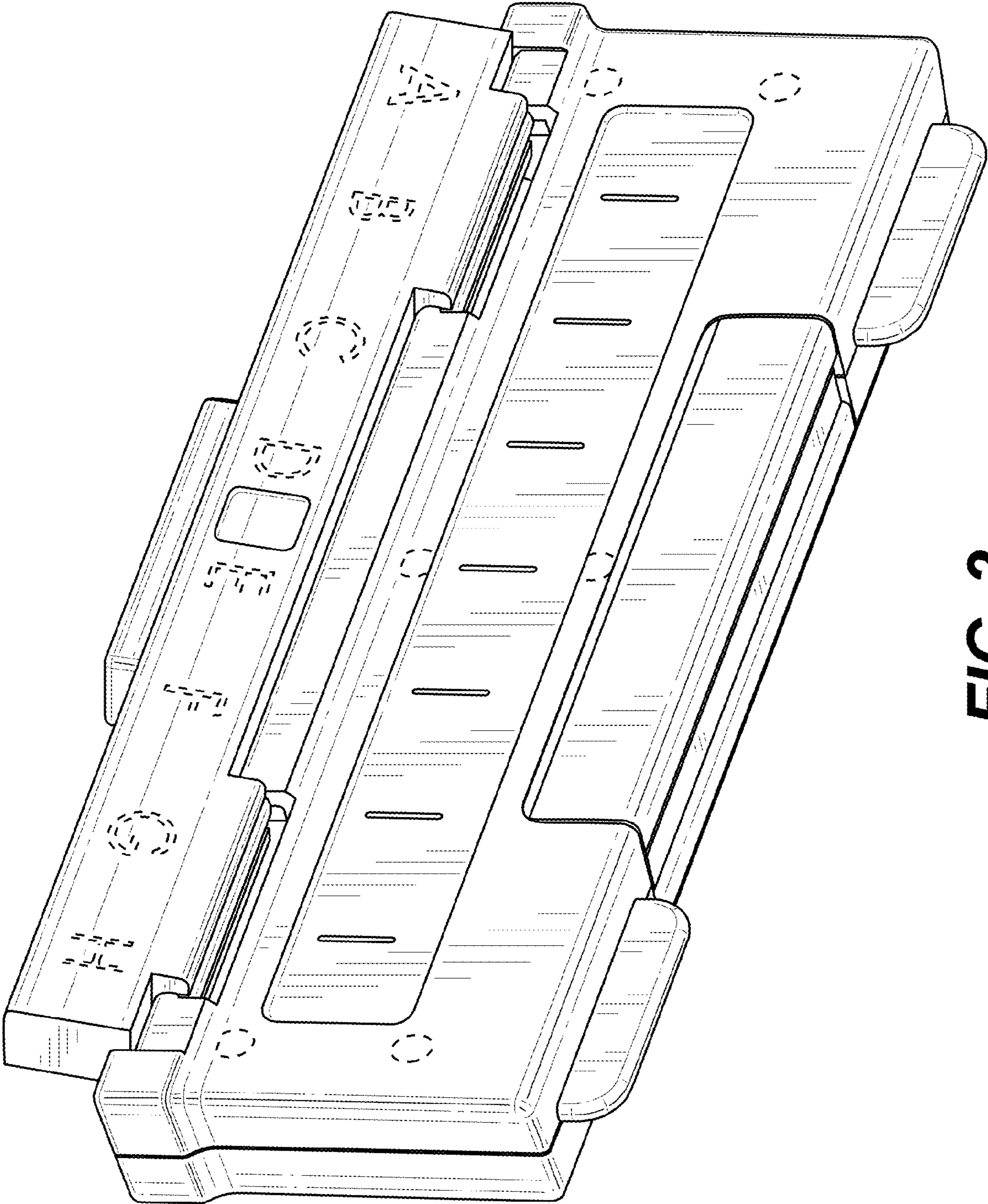
**U.S. PATENT DOCUMENTS**

D264,991 S \* 6/1982 Quandt ..... D24/216  
 5,501,982 A \* 3/1996 Saldivar, Jr. .... G01N 35/1002  
 422/562  
 5,788,928 A \* 8/1998 Carey ..... G01N 35/1002  
 422/63

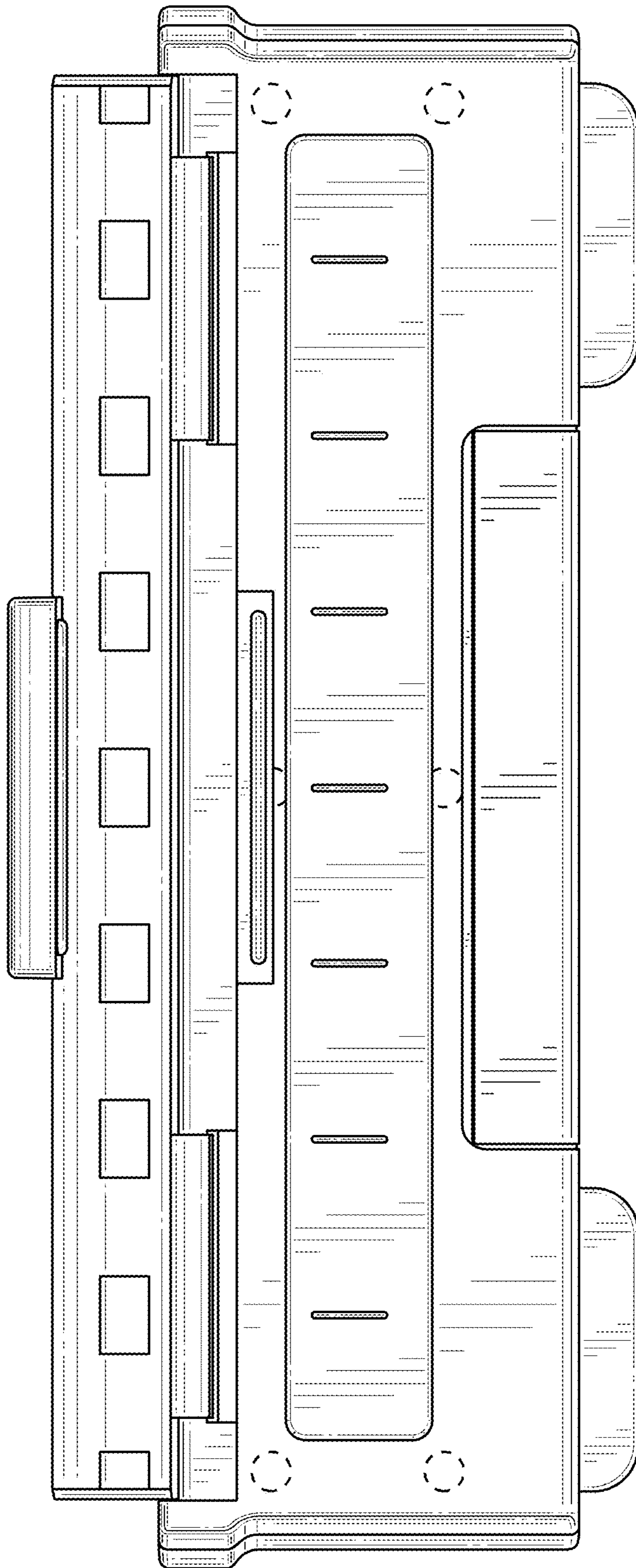




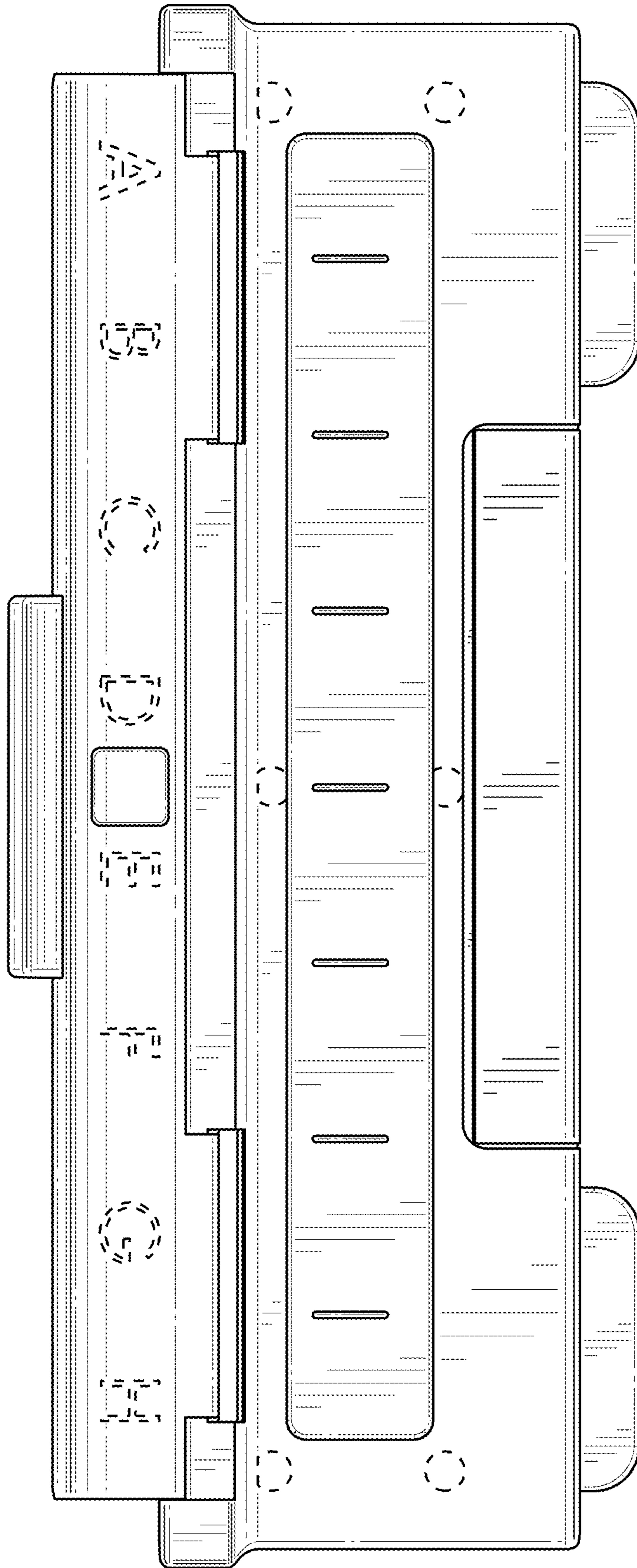
**FIG. 1**



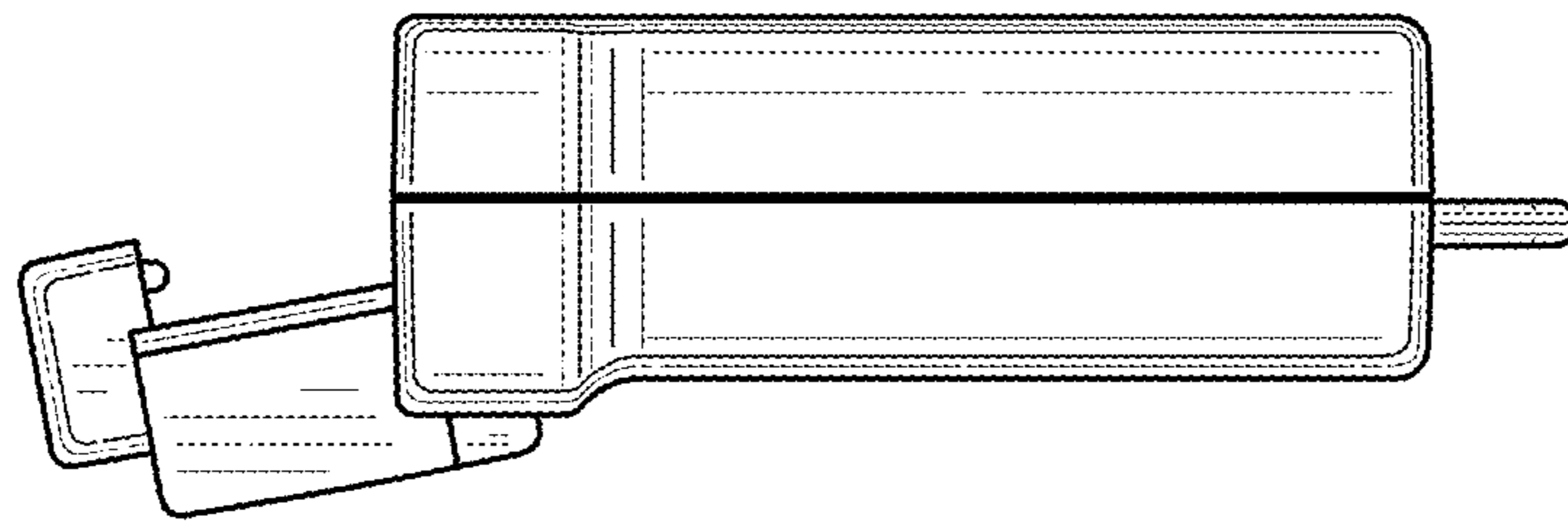
**FIG. 2**



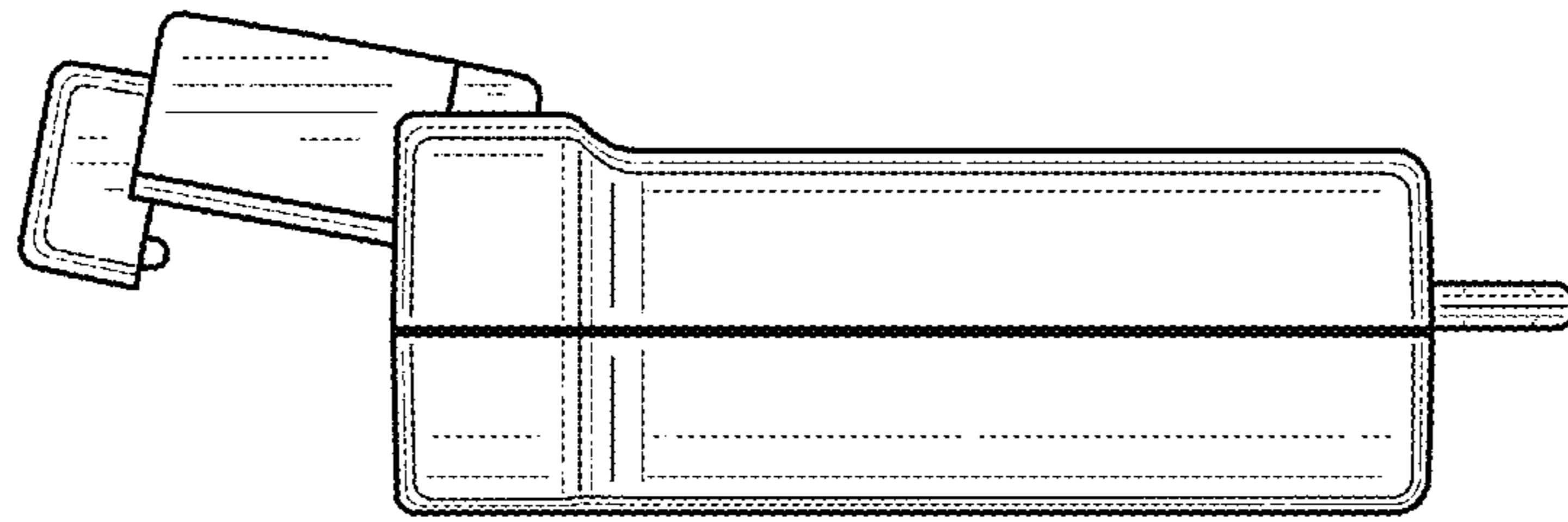
**FIG. 3**



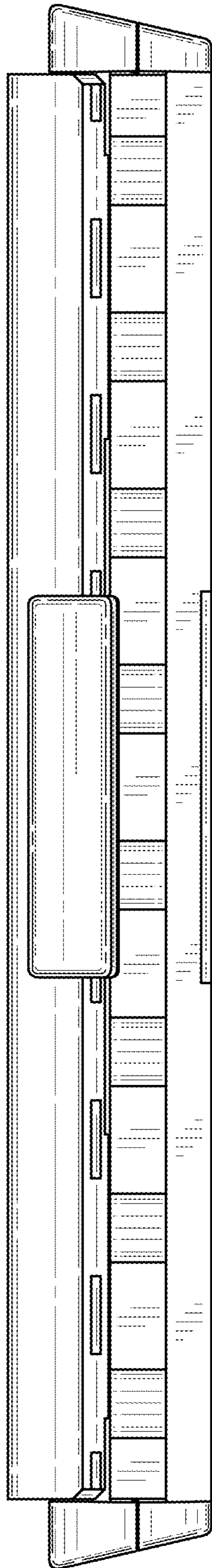
**FIG. 4**



**FIG. 5**

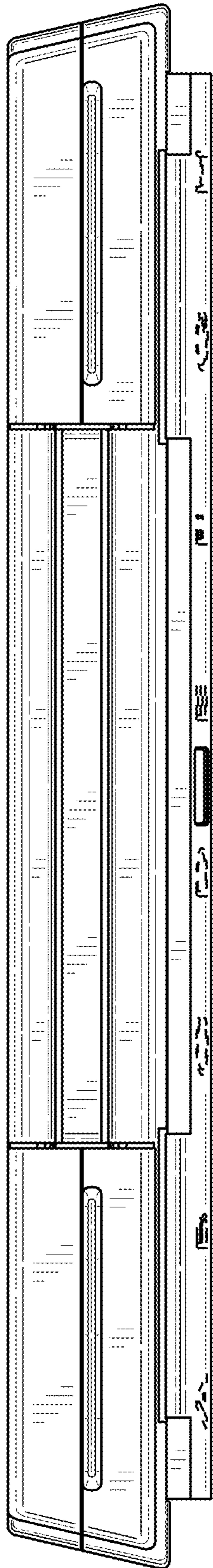


**FIG. 6**

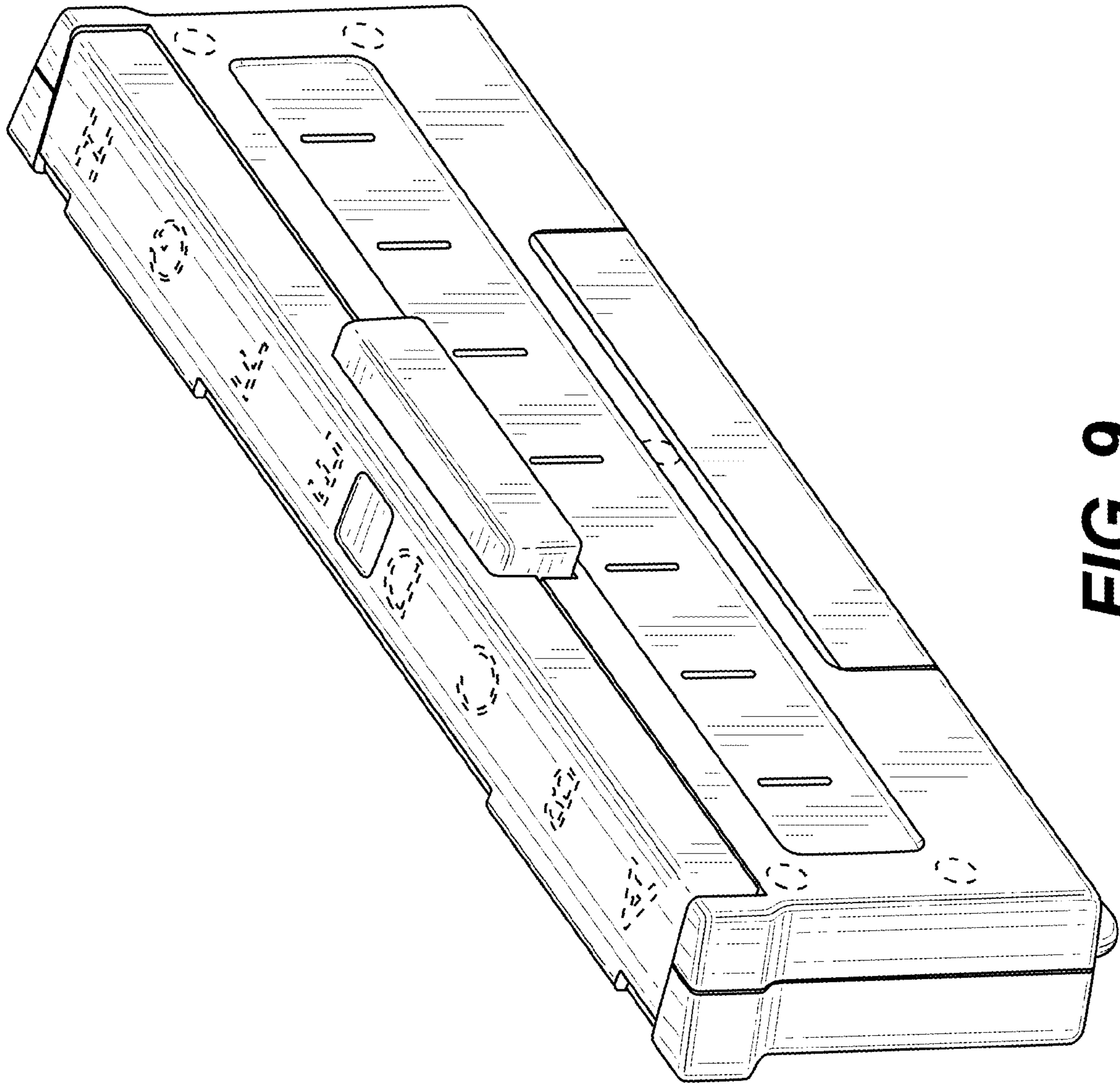


**FIG. 7**

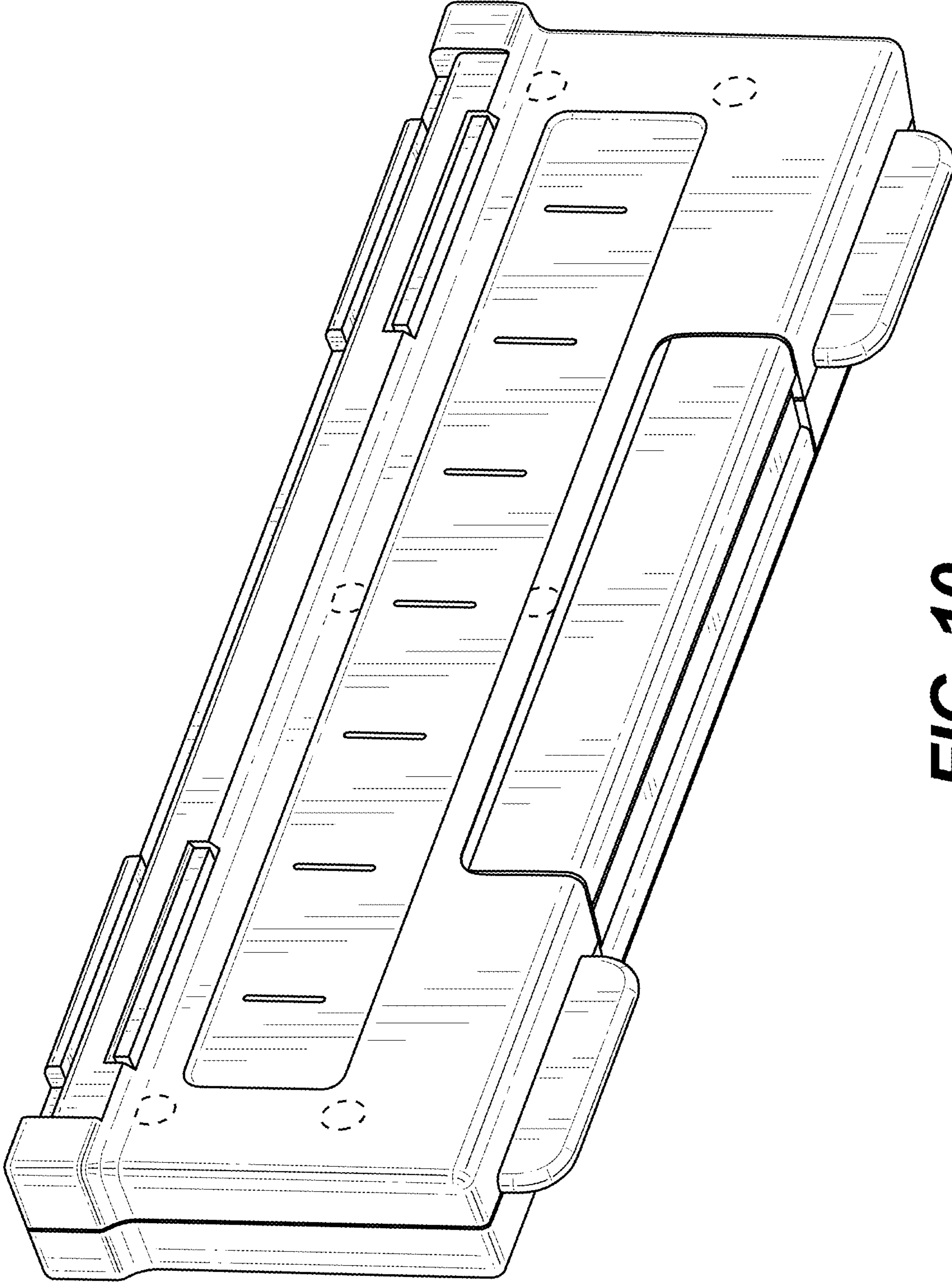




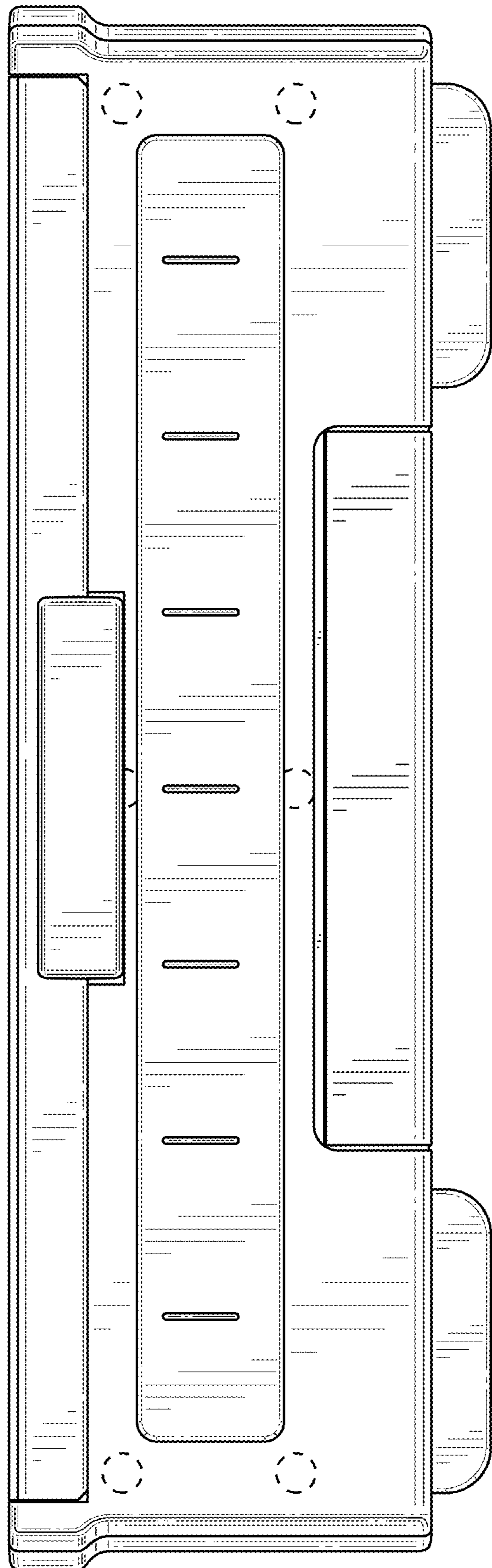
**FIG. 8**



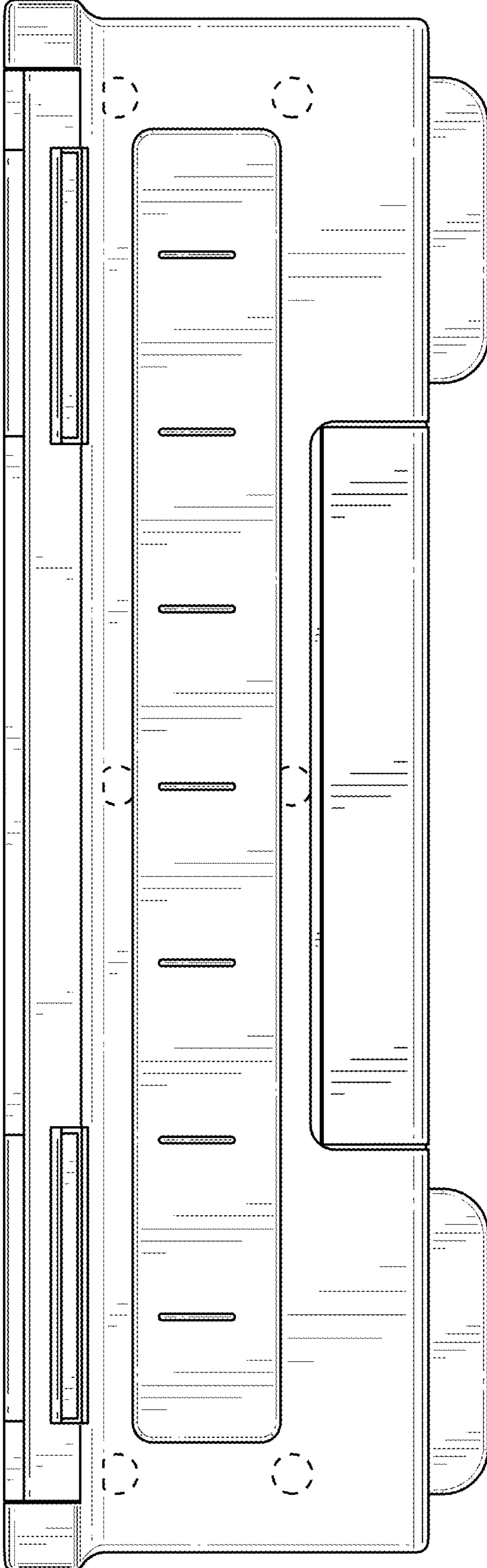
**FIG. 9**



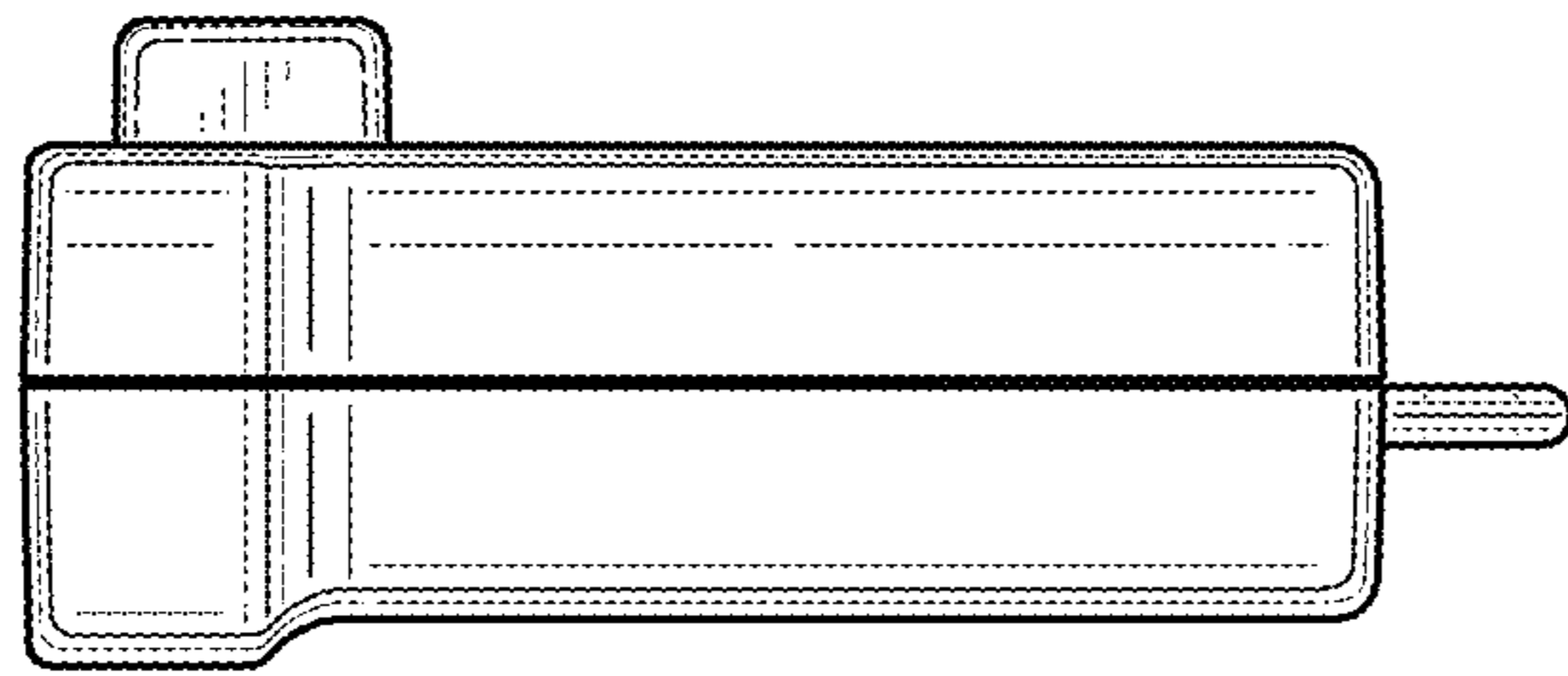
**FIG. 10**



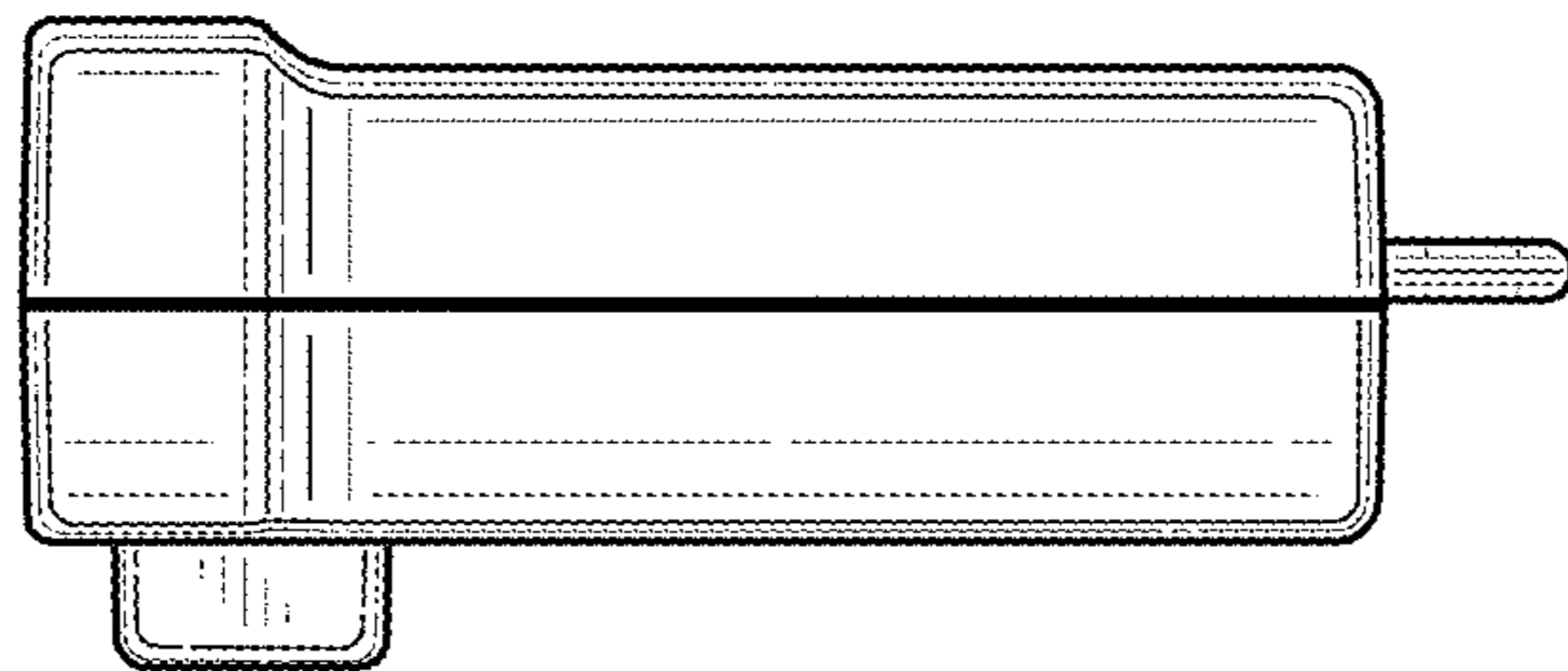
**FIG. 11**



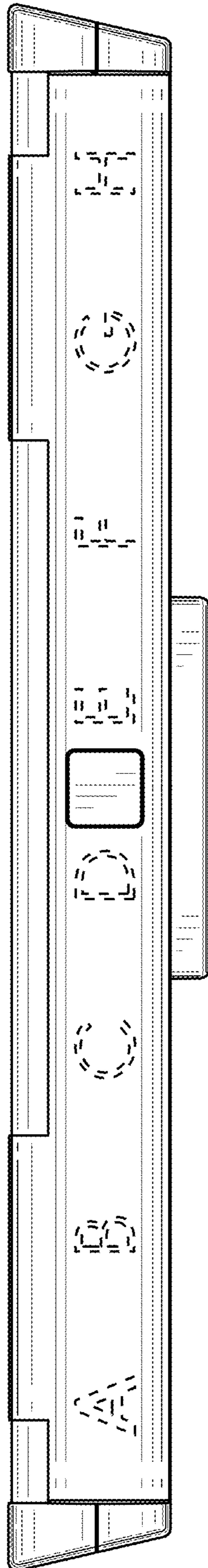
**FIG. 12**



**FIG. 13**

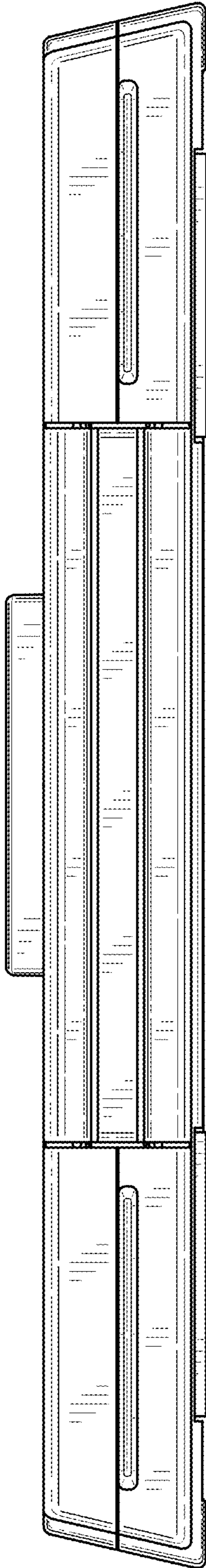


**FIG. 14**



**FIG. 15**





**FIG. 16**