



US00D976435S

(12) **United States Design Patent** (10) **Patent No.:** **US D976,435 S**  
**Kim** (45) **Date of Patent:** **\*\* Jan. 24, 2023**

(54) **BODY FLUID ANALYZER**

2019/0317308 A1\* 10/2019 Kim ..... G02B 21/025  
2021/0186333 A1\* 6/2021 Kim ..... G01N 33/487

(71) Applicant: **INTIN CO., LTD.**, Daegu-si (KR)

\* cited by examiner

(72) Inventor: **Ji Hoon Kim**, Seoul (KR)

*Primary Examiner* — Anhdao Doan

(\*\*) Term: **15 Years**

(74) *Attorney, Agent, or Firm* — Antonio Ha & U.S. Patent, LLC

(21) Appl. No.: **29/780,433**

(57) **CLAIM**

The ornamental design for a body fluid analyzer, as shown and described.

(22) Filed: **Apr. 23, 2021**

**DESCRIPTION**

(51) **LOC (14) Cl.** ..... **24-01**

(52) **U.S. Cl.**

USPC ..... **D24/216**

(58) **Field of Classification Search**

USPC ..... D24/107, 186, 216, 232, 121, 122, 223,  
D24/224, 225, 227, 231, 139; D10/81;  
D14/344

CPC ... G01N 2035/00306; G01N 35/00871; G01N  
33/4835; G01N 33/48792; G01N 35/025

See application file for complete search history.

FIG. 1 is a top, front and left side perspective view of a body fluid analyzer showing my new design; FIG. 2 is a front elevational view thereof; FIG. 3 is a back elevational view thereof; FIG. 4 is a left side elevational view thereof; FIG. 5 is a right side elevational view thereof; FIG. 6 is a top plan view thereof; FIG. 7 is a bottom plan view thereof; FIG. 8 is a reference view illustrating a state of use of a design thereof, in which a measurement device body and a clip are separated from each other; FIG. 9 is a reference view illustrating a state of use of a design thereof, in which a chamber for inspection is separated from a measurement device body; FIG. 10 is a reference view illustrating a state of use of a design thereof, in which a chamber for inspection is separated from the measurement device body, viewed in a direction different from the FIG. 9; and, FIG. 11 is a reference view illustrating a state of use of a design thereof, in which a portable body fluid analyzer is coupled to a smartphone, wherein the smartphone is shown in broken lines for illustrative purposes only and forms no part of the claimed design.

(56) **References Cited**

U.S. PATENT DOCUMENTS

D561,905 S \* 2/2008 Ramel ..... D24/216  
9,350,956 B2 \* 5/2016 Quilter ..... G01N 35/00871  
D773,067 S \* 11/2016 Wang ..... D24/216  
D850,627 S \* 6/2019 Purani ..... D24/186  
D928,329 S \* 8/2021 Huang ..... D24/186  
D937,827 S \* 12/2021 Chen ..... D14/344  
D940,332 S \* 1/2022 Weichert ..... D24/186  
2018/0368815 A1 \* 12/2018 Kim ..... A61B 10/0012  
2018/0368816 A1 \* 12/2018 Kim ..... G01N 33/4875  
2019/0277830 A1 \* 9/2019 Kim ..... G01N 33/48792

**1 Claim, 11 Drawing Sheets**

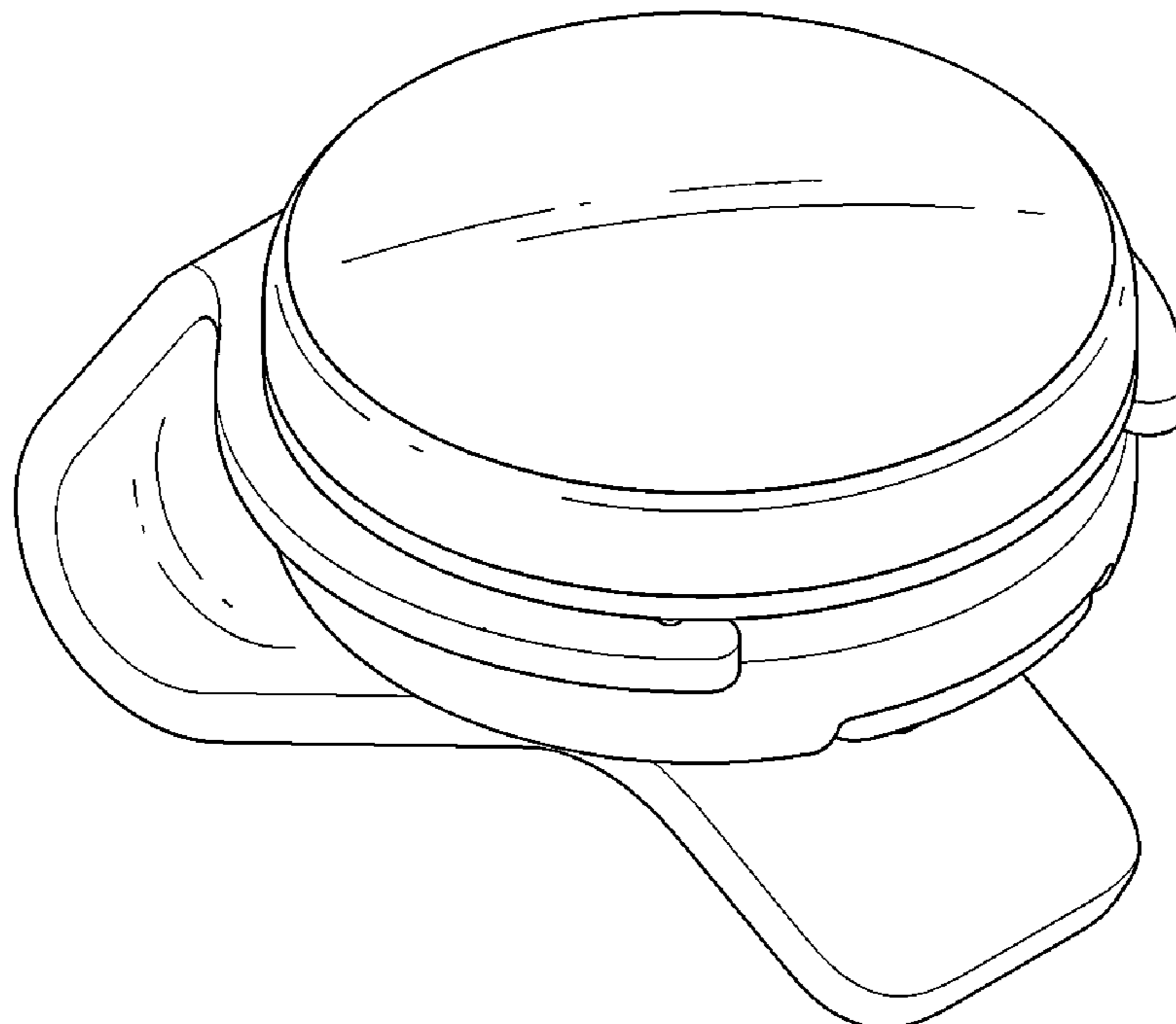


Fig. 1

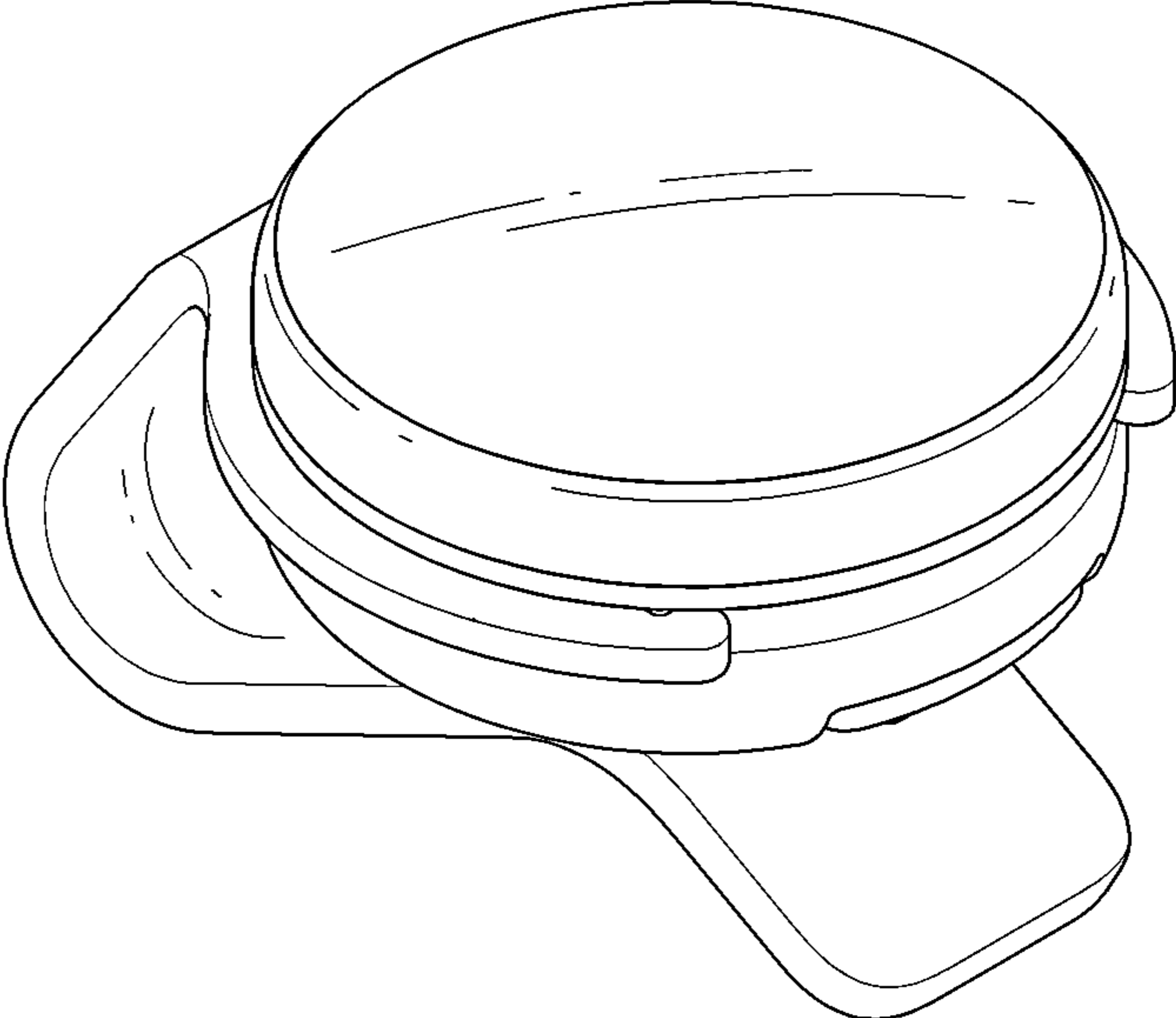


Fig. 2

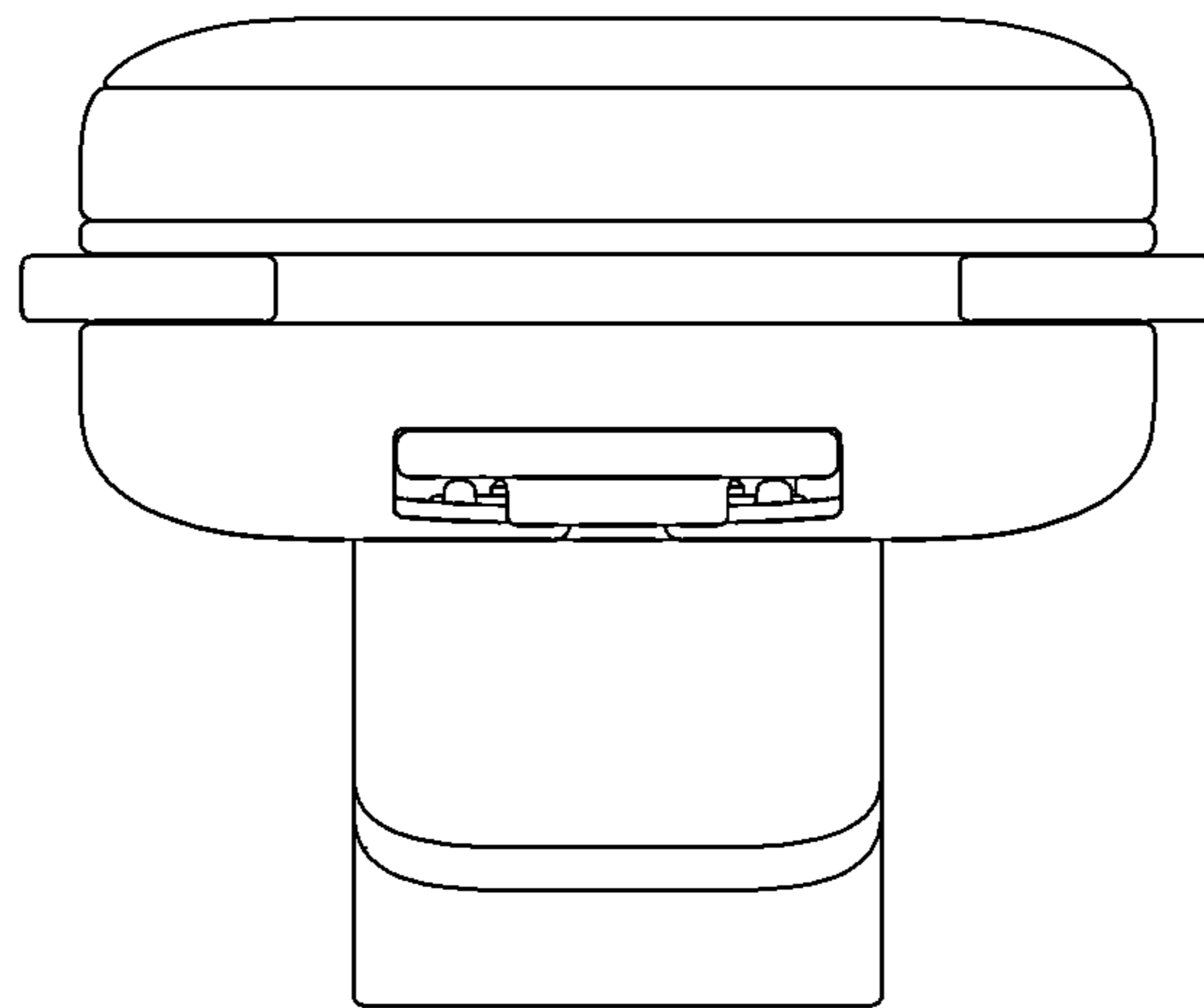


Fig. 3

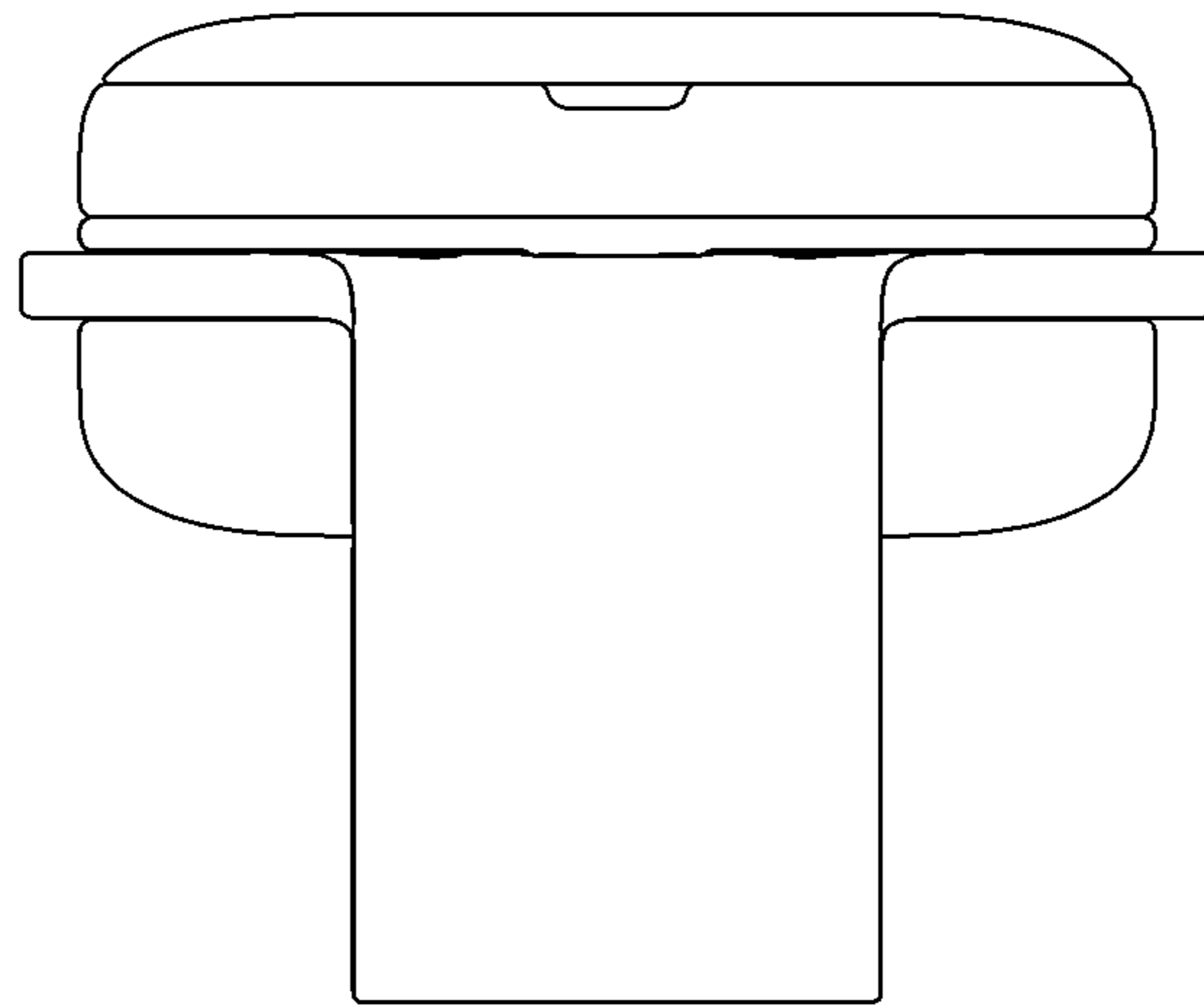


Fig. 4

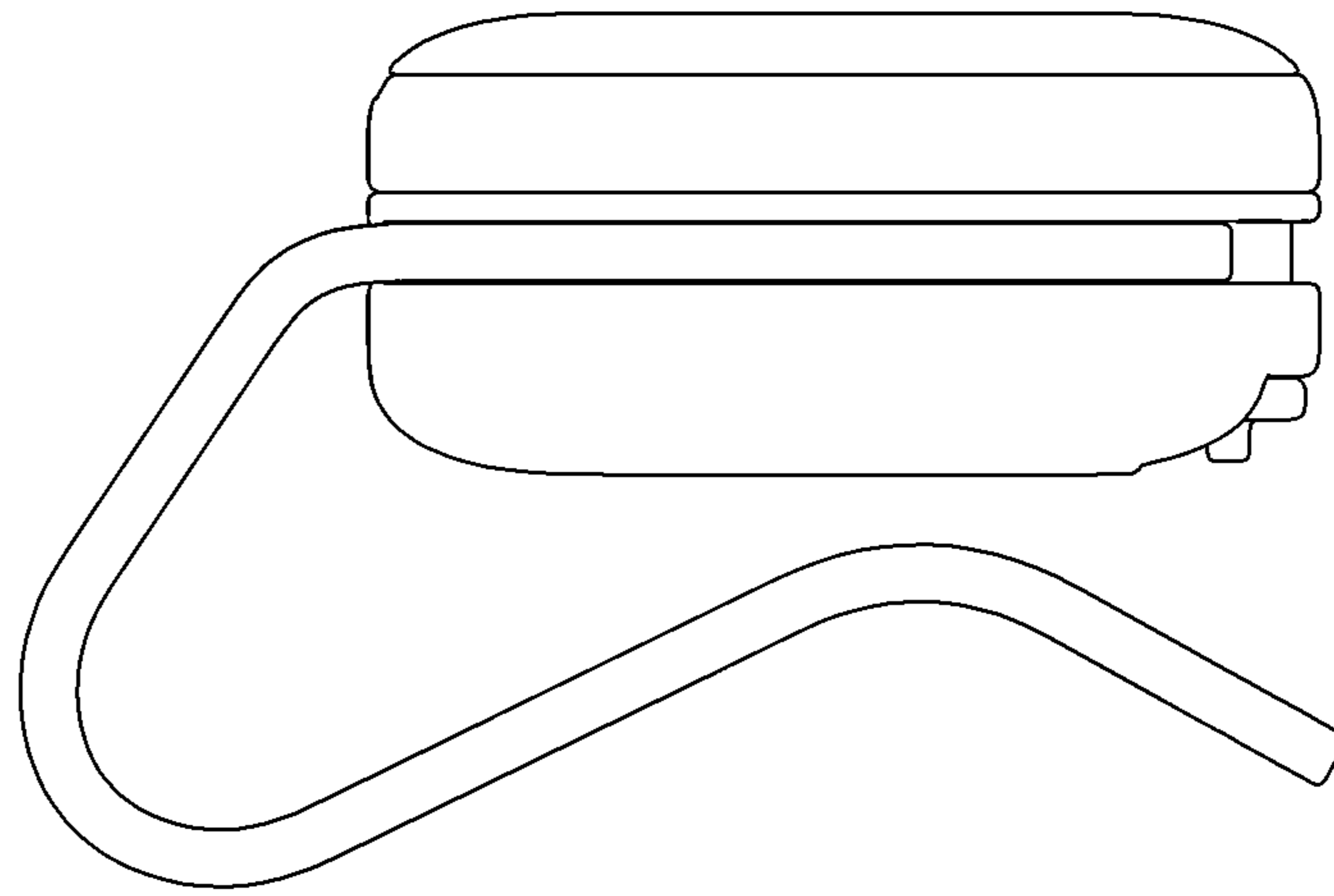


Fig. 5

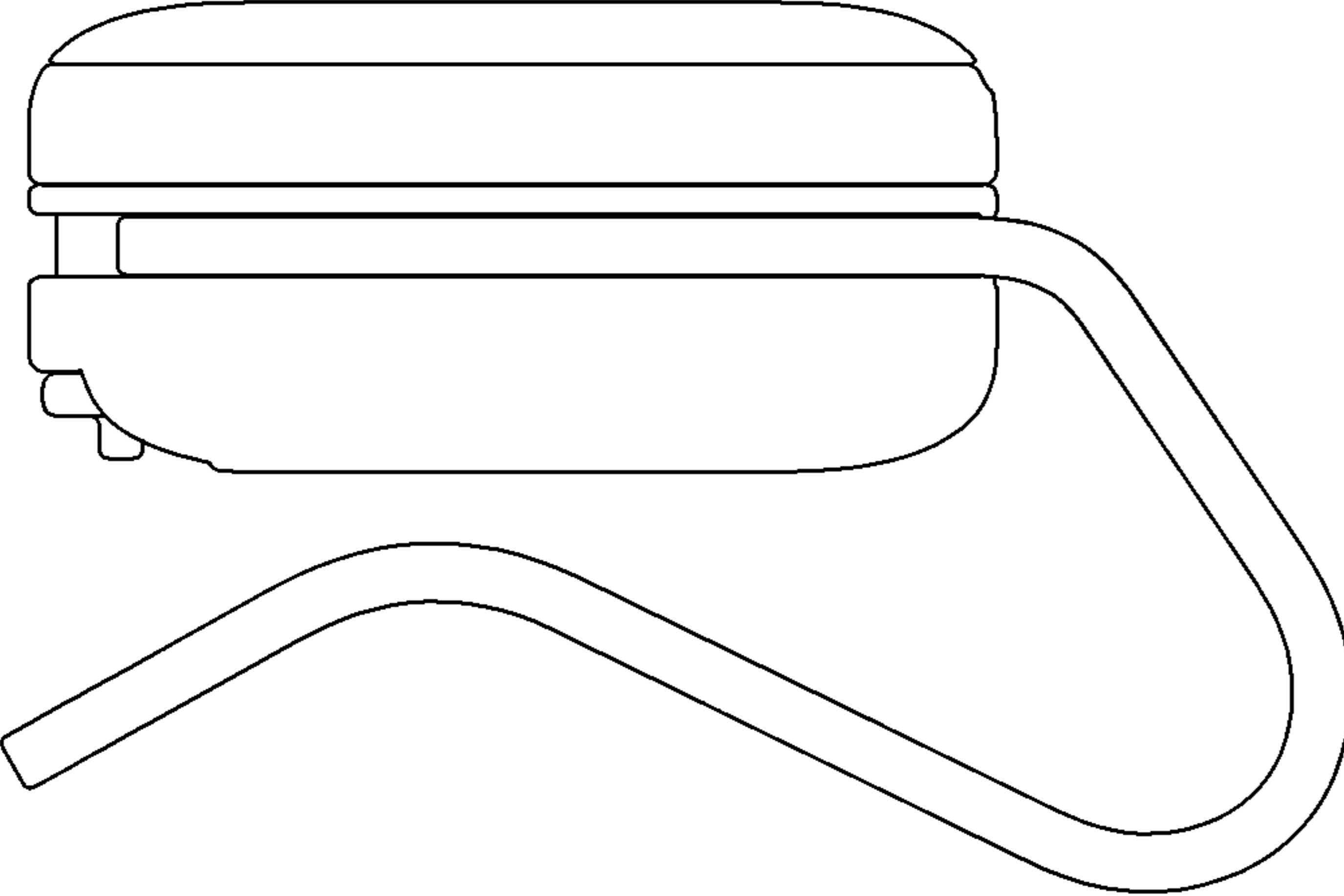


Fig. 6

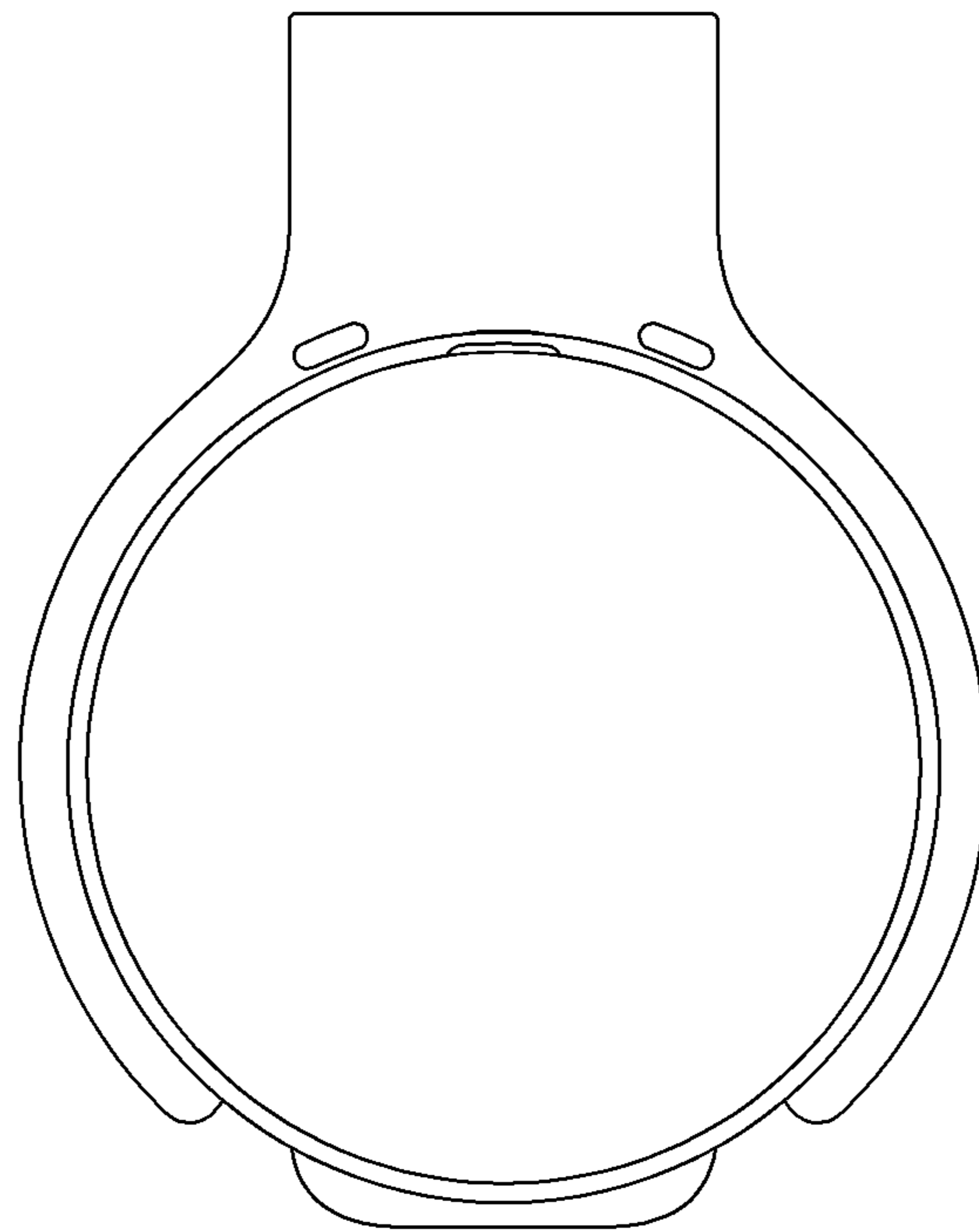


Fig. 7

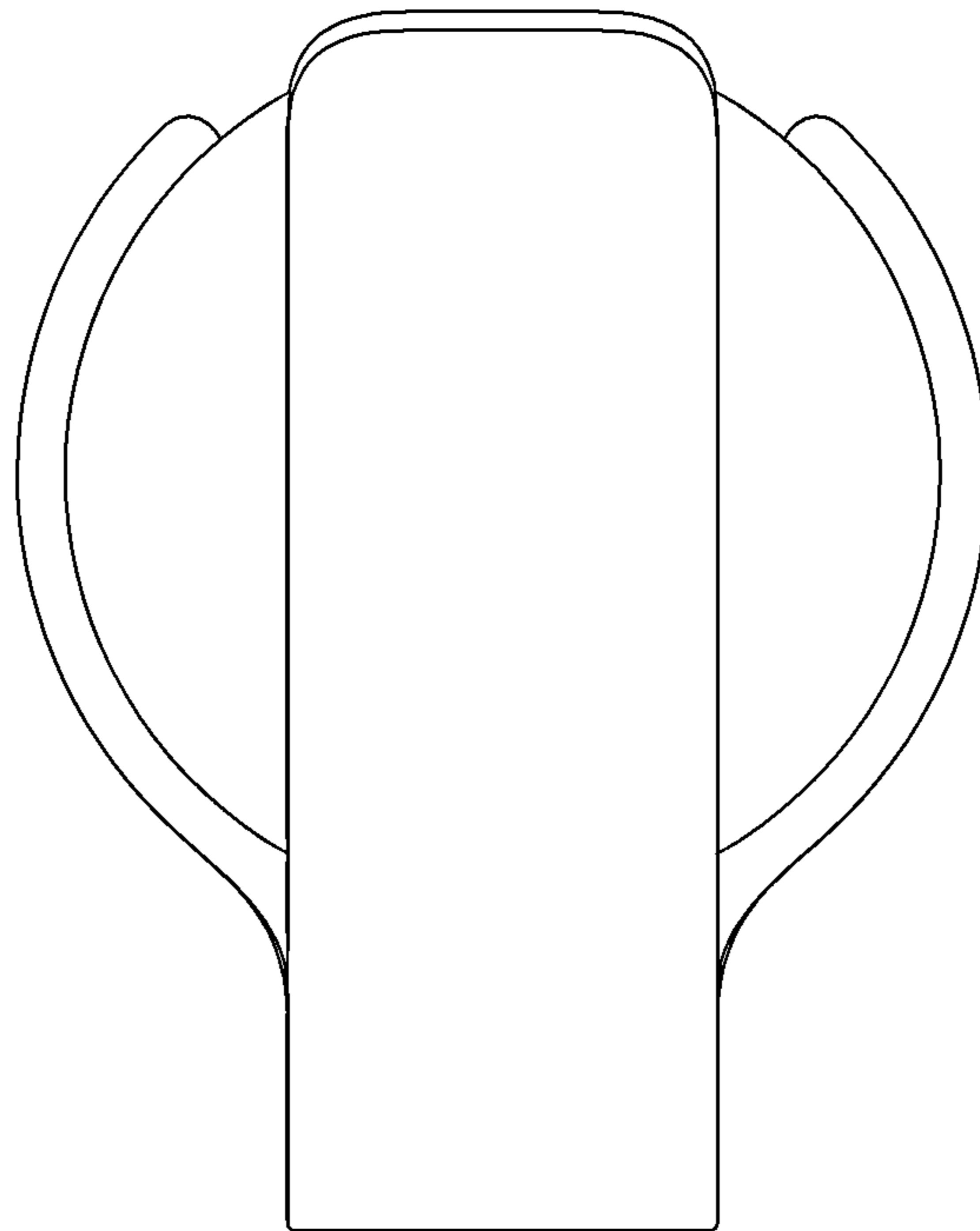




Fig. 8

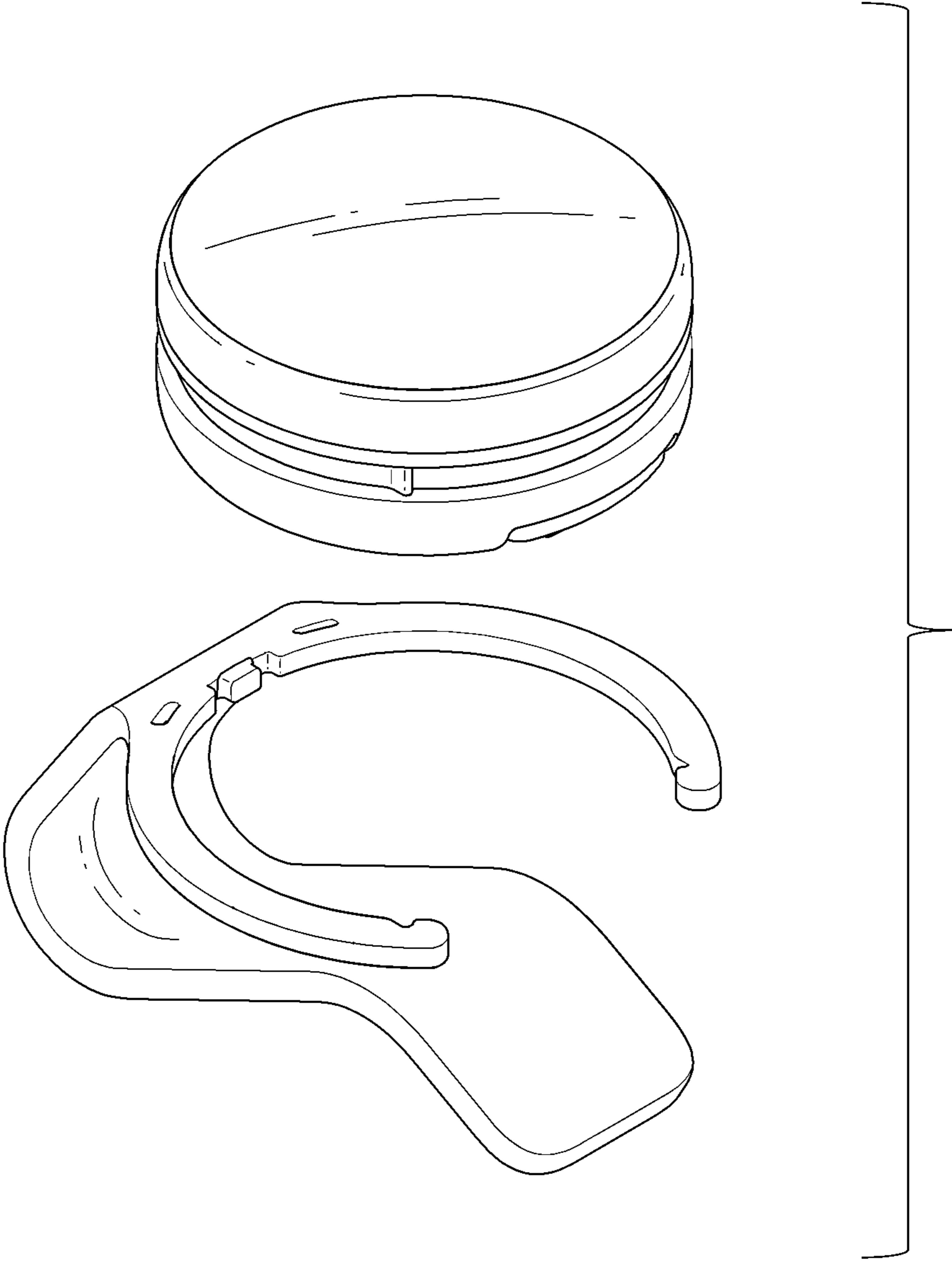


Fig. 9

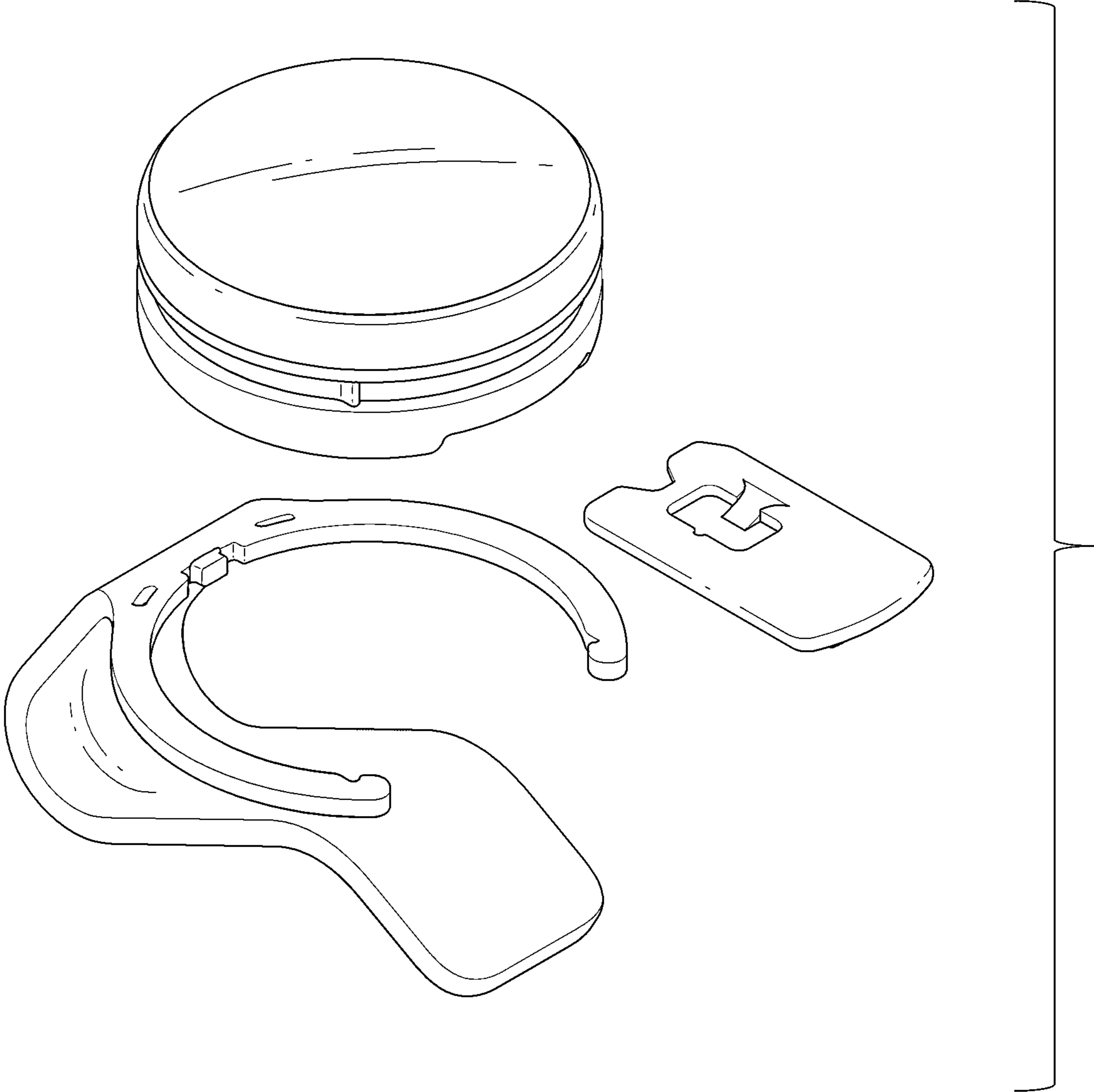


Fig. 10

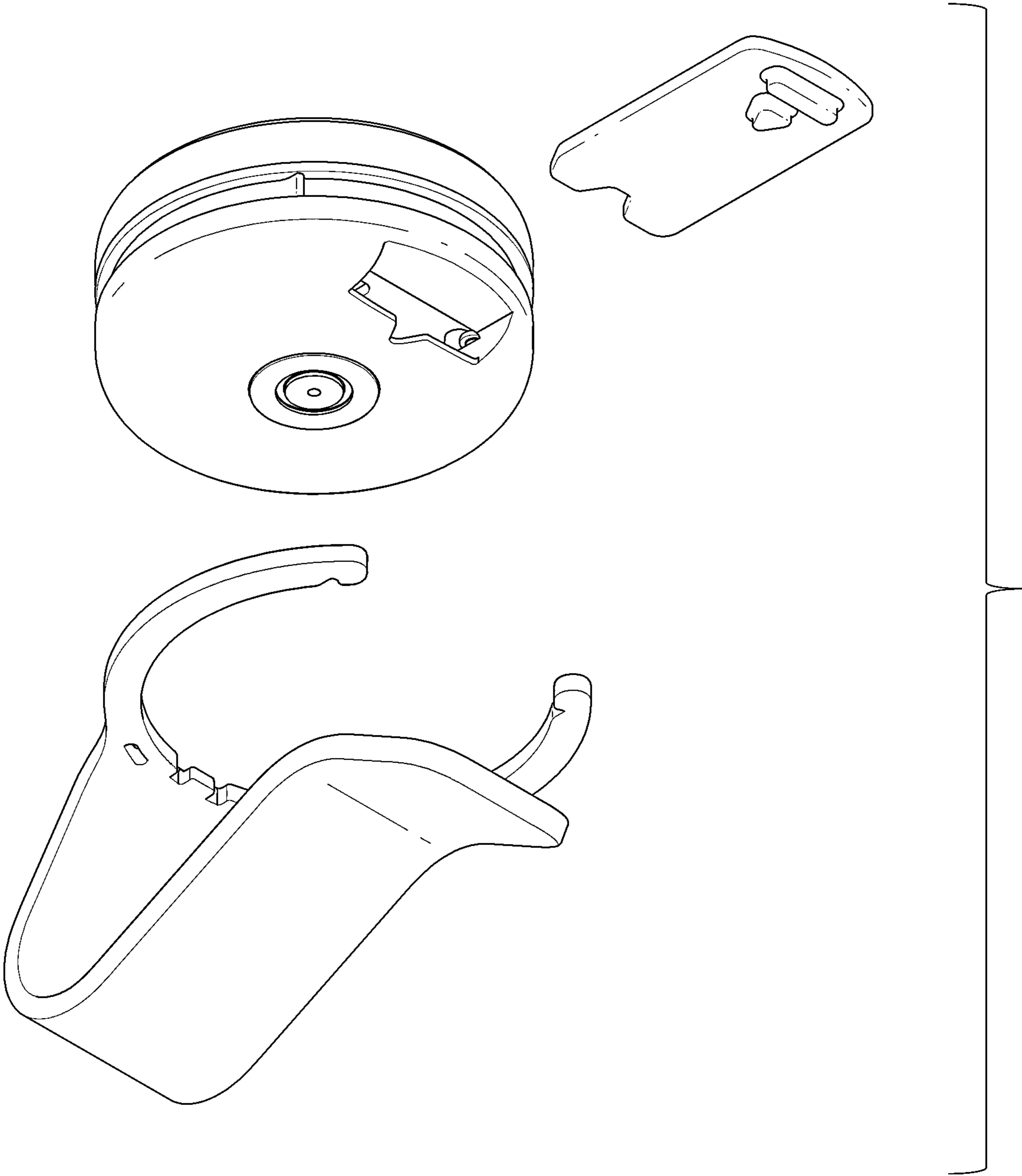


Fig. 11

