



US00D976434S

(12) **United States Design Patent** (10) **Patent No.:** **US D976,434 S**
Aoki (45) **Date of Patent:** **** Jan. 24, 2023**

(54) **CONTAINER FOR MIXING REAGENTS**

(71) Applicant: **TAUNS LABORATORIES, INC.,**
Izunokuni (JP)

(72) Inventor: **Keiji Aoki**, Izunokuni (JP)

(73) Assignee: **TAUNS LABORATORIES, INC.,**
Shizuoka-ken (JP)

(**) Term: **15 Years**

(21) Appl. No.: **29/699,481**

(22) Filed: **Jul. 25, 2019**

Related U.S. Application Data

(62) Division of application No. 35/505,318, filed on Jan. 18, 2018 (U.S. filing date under 35 U.S.C. 384), and having an international filing date of Jan. 18, 2018, now Pat. No. Des. 870,312.

(30) **Foreign Application Priority Data**

Jul. 21, 2017 (JP) 2017-015797
Jul. 21, 2017 (JP) 2017-015798

(51) **LOC (14) Cl.** **24-02**

(52) **U.S. Cl.**
USPC **D24/216**

(58) **Field of Classification Search**
USPC D24/216, 186, 220, 224, 227, 232, 234
CPC . H01L 21/3065; H01L 21/67069; H05H 1/46;
B01D 2315/02; B01D 2317/00; B01D
61/18; B01D 61/22; B01D 63/16
See application file for complete search history.

(56) **References Cited**

U.S. PATENT DOCUMENTS

D383,214 S 9/1997 Brennan
D383,851 S 9/1997 Wong

D402,768 S 12/1998 Stream
D471,988 S 3/2003 Lueth et al.
D574,507 S 8/2008 Muir et al.
D631,169 S 1/2011 Cheeley et al.
D634,024 S 3/2011 Karpiloff et al.
D639,978 S 6/2011 Roos et al.
D645,973 S 9/2011 Hoenes
D645,974 S 9/2011 Roos et al.
D665,095 S 8/2012 Wilson et al.
D742,027 S 10/2015 Lentz et al.
D779,678 S * 2/2017 Feins D24/227
D787,087 S 5/2017 Duffy et al.
D799,717 S 10/2017 Böhm et al.

(Continued)

OTHER PUBLICATIONS

U.S. Appl. No. 35/505,318, filed Jan. 18, 2018, Container for Mixing Reagents.

(Continued)

Primary Examiner — Eliza Z Harvey
(74) *Attorney, Agent, or Firm* — Schwegman Lundberg & Woessner, P.A.

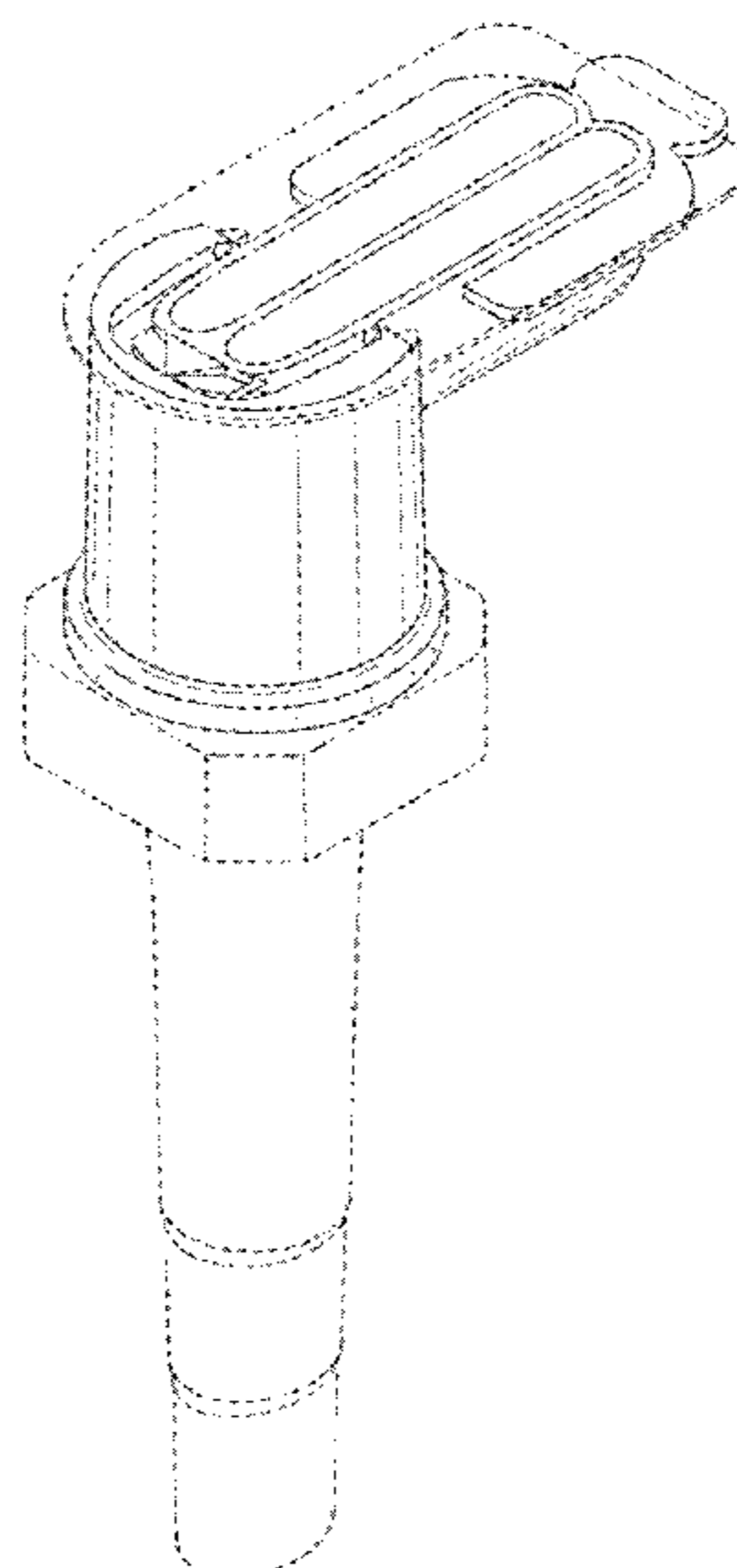
(57) **CLAIM**

The ornamental design for a container for mixing reagents, as shown and described.

DESCRIPTION

FIG. 1: Front perspective view;
FIG. 2: Back perspective view;
FIG. 3: Front;
FIG. 4: Back;
FIG. 5: Top;
FIG. 6: Bottom;
FIG. 7: Right; and,
FIG. 8: Left.
The broken lines shown in the drawings are for the purpose of illustrating portions of the container and form no part of the claimed design.

1 Claim, 8 Drawing Sheets



(56)

References Cited

U.S. PATENT DOCUMENTS

D803,276 S 11/2017 Adjabeng et al.
D809,153 S 1/2018 Noble
D814,652 S * 4/2018 Buxton D24/224
D816,864 S 5/2018 Lacy et al.
D836,014 S 12/2018 Staton et al.
D870,312 S * 12/2019 Aoki D24/216
2012/0218854 A1 8/2012 Behringer et al.
2016/0175841 A1 6/2016 Hiramura et al.

OTHER PUBLICATIONS

U.S. Appl. No. 35/505,318, Response filed Jun. 25, 2019 to Restriction Requirement dated Apr. 25, 2019, 5 pgs.
U.S. Appl. No. 35/505,318, Restriction Requirement dated Apr. 25, 2019, 8 pgs.
“U.S. Appl. No. 35/505,318, Notice of Allowance dated Aug. 13, 2019”, 8 pgs.

* cited by examiner

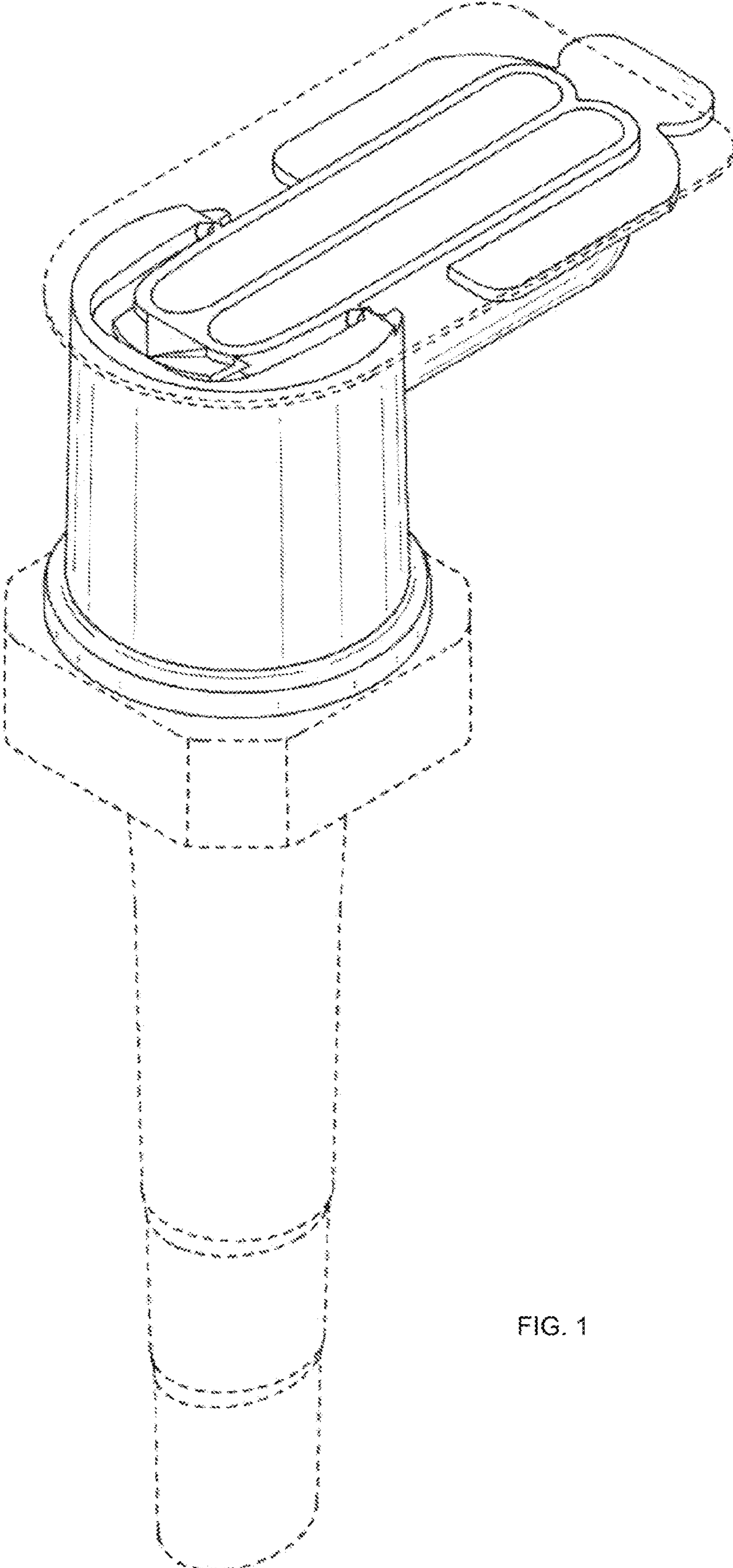


FIG. 1

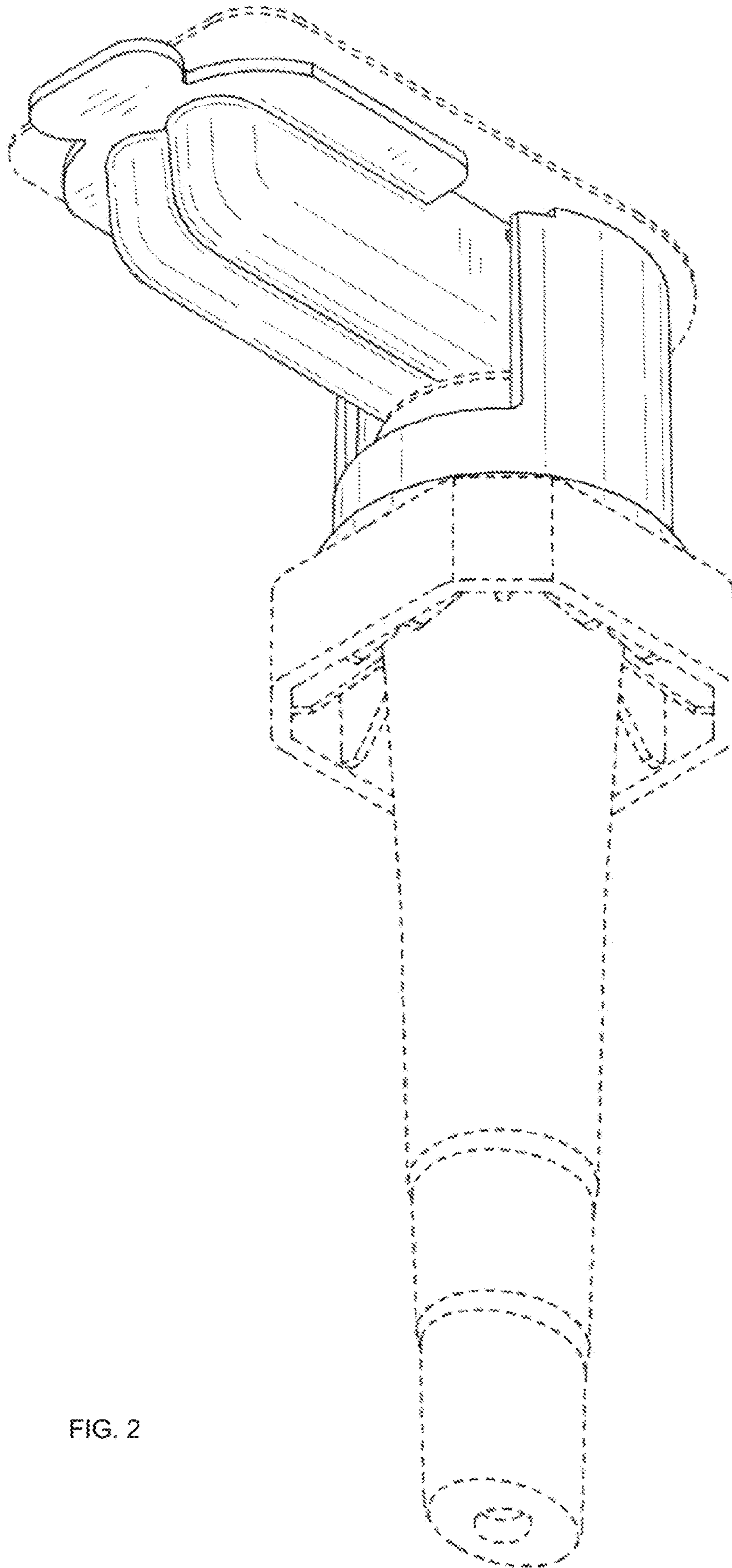


FIG. 2

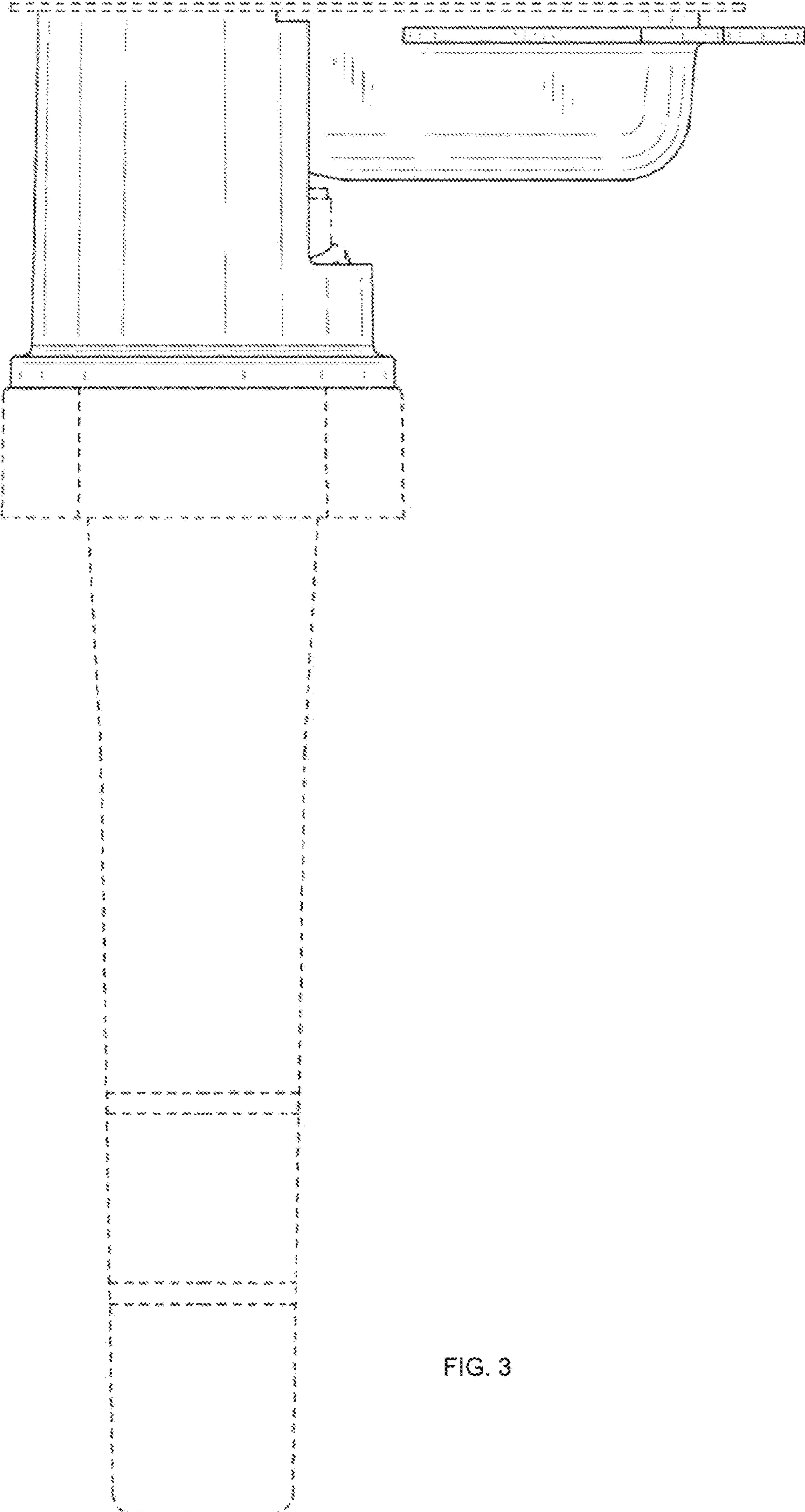


FIG. 3

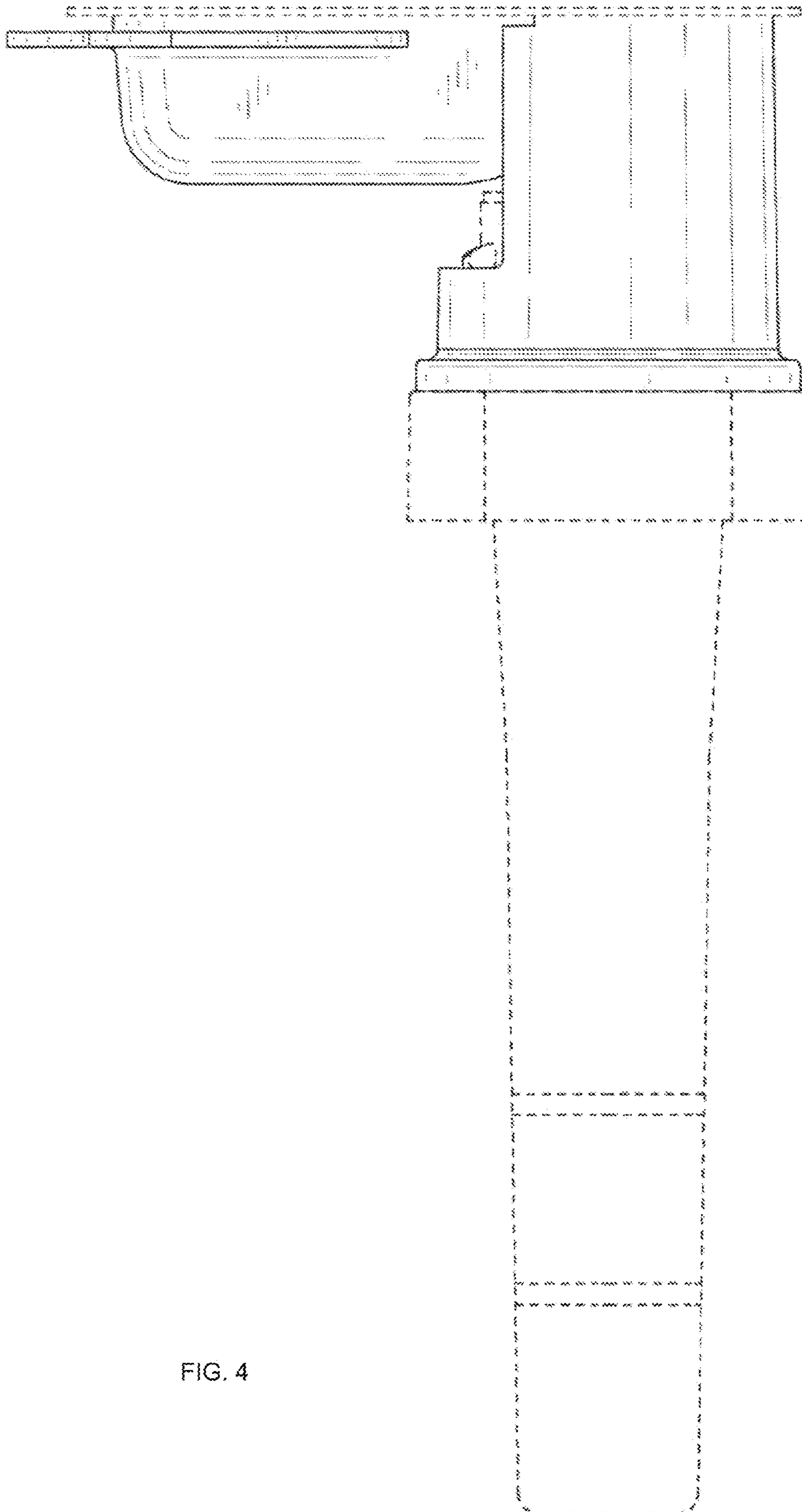


FIG. 4

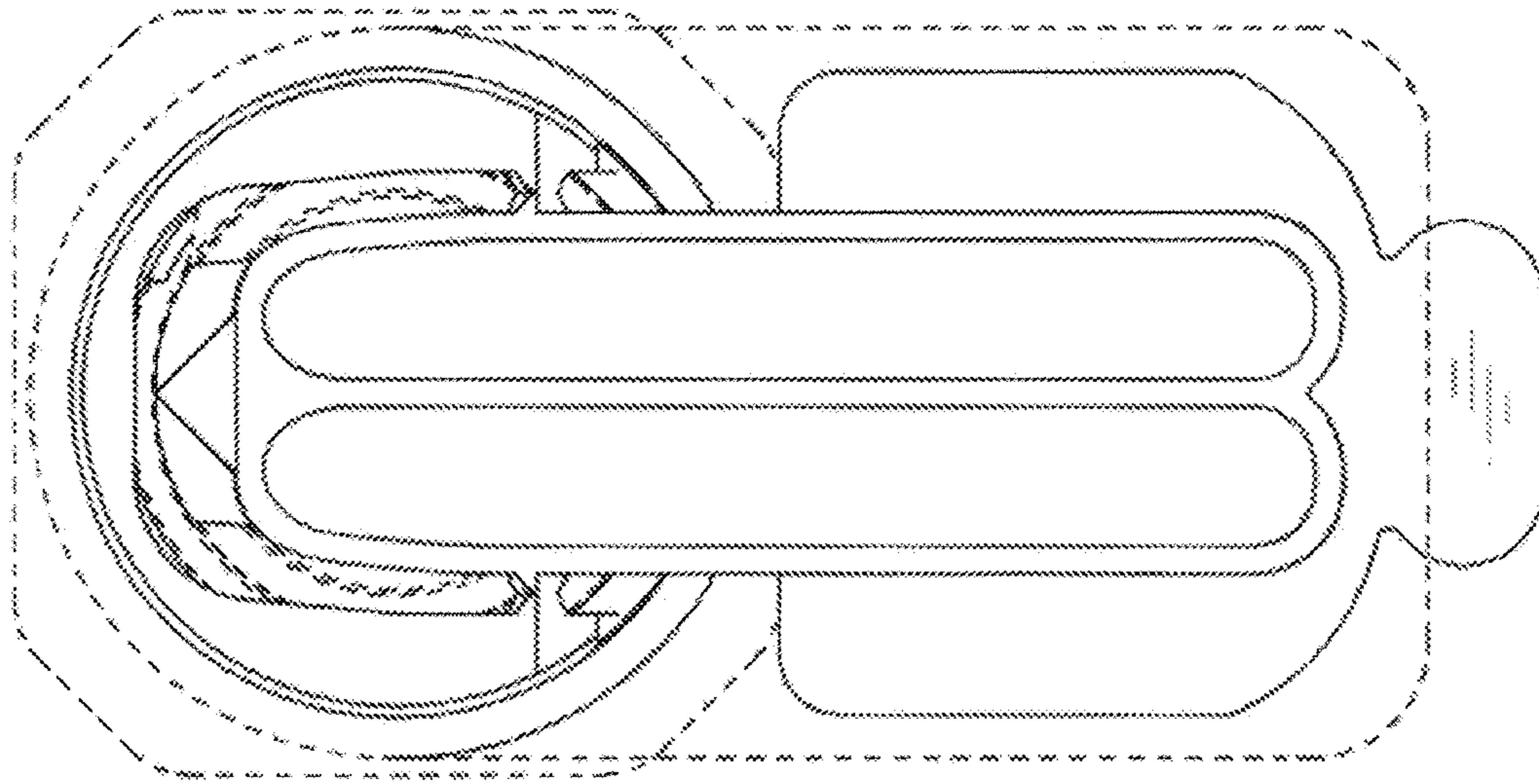


FIG. 5

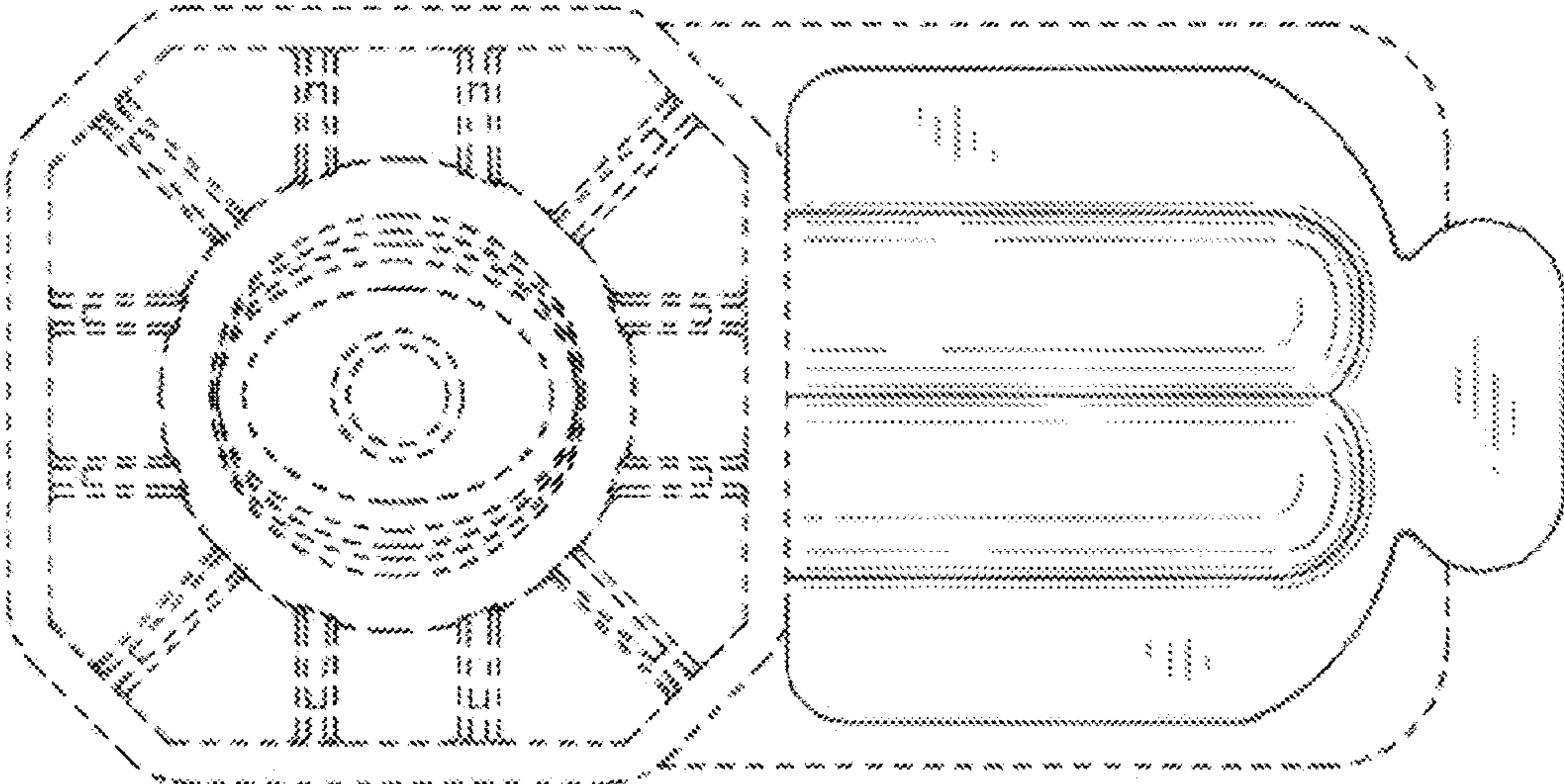


FIG. 6

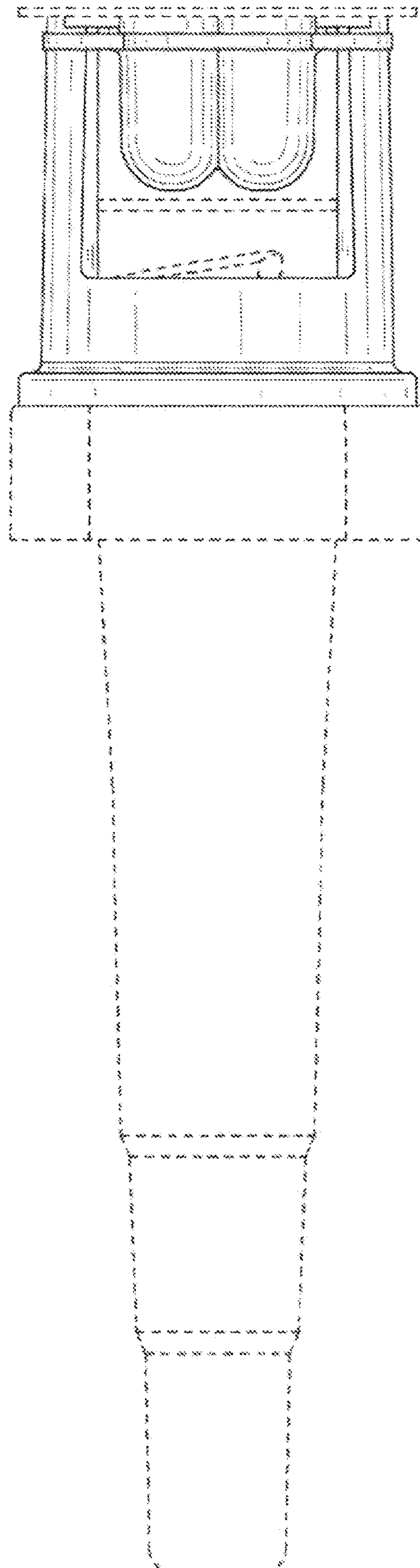


FIG. 7

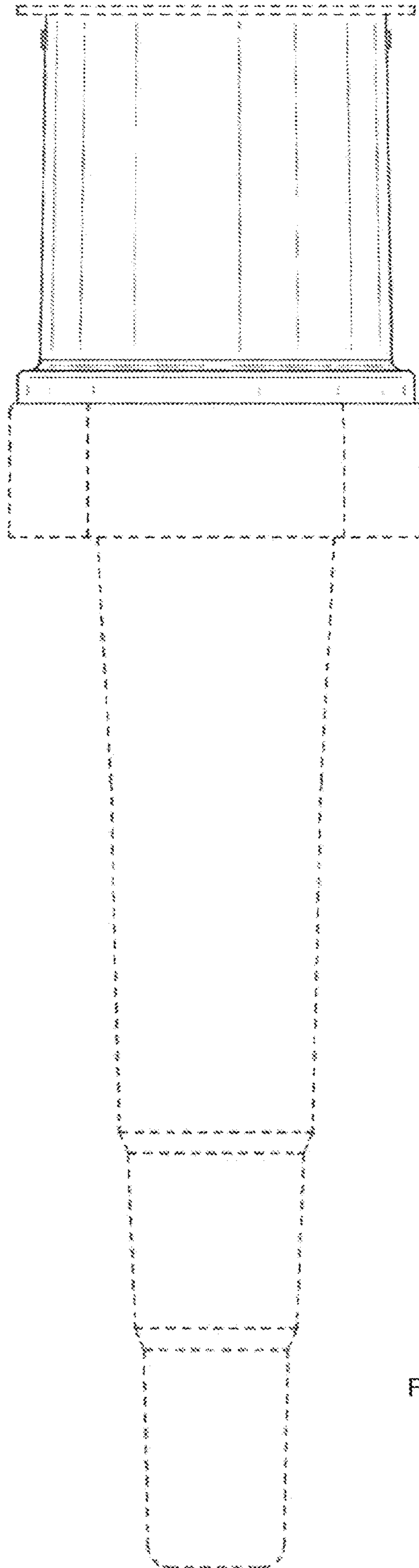


FIG. 8