



US00D976433S

(12) **United States Design Patent** (10) **Patent No.:** **US D976,433 S**
Xue (45) **Date of Patent:** **** Jan. 24, 2023**

(54) **MULTIFUNCTIONAL MASSAGER**
(71) Applicant: **Dongliang Xue, Yiyang (CN)**
(72) Inventor: **Dongliang Xue, Yiyang (CN)**
(73) Assignee: **Dongliang Xue, Yiyang (CN)**
(**) Term: **15 Years**
(21) Appl. No.: **29/855,476**

D854,178 S * 7/2019 Cochard D24/214
D950,089 S * 4/2022 Bernstein D24/215
D961,101 S 8/2022 Li et al.

OTHER PUBLICATIONS

Amazon, "Daiwa Felicity Chiropractic Massager", Date First Available: Apr. 9, 2014. <https://www.amazon.com/Daiwa-Chiropractic-Professional-Featuring-Vibrating/dp/B0053O7HTU> (Year: 2014).*
Orbit, "Multifunctional Massager", Application No. 6232444. Application Date: Sep. 19, 2022. www.orbit.com. (Year: 2022).*

* cited by examiner

Primary Examiner — Michael A Maharajh
(74) *Attorney, Agent, or Firm* — Nitin Kaushik

(22) Filed: **Oct. 3, 2022**
(51) **LOC (14) Cl.** **24-01**
(52) **U.S. Cl.**
USPC **D24/215**
(58) **Field of Classification Search**
USPC D24/141, 188, 189, 190, 200, 211, 212,
D24/213, 214, 215; D30/160
CPC A61H 2201/0153; A61H 15/0092; A61H
2201/0157; A61H 7/005; A61H 23/006;
A61H 15/0085; A61H 7/00; A61H 7/008
See application file for complete search history.

(57) **CLAIM**

The ornamental design for a multifunctional massager, as shown and described.

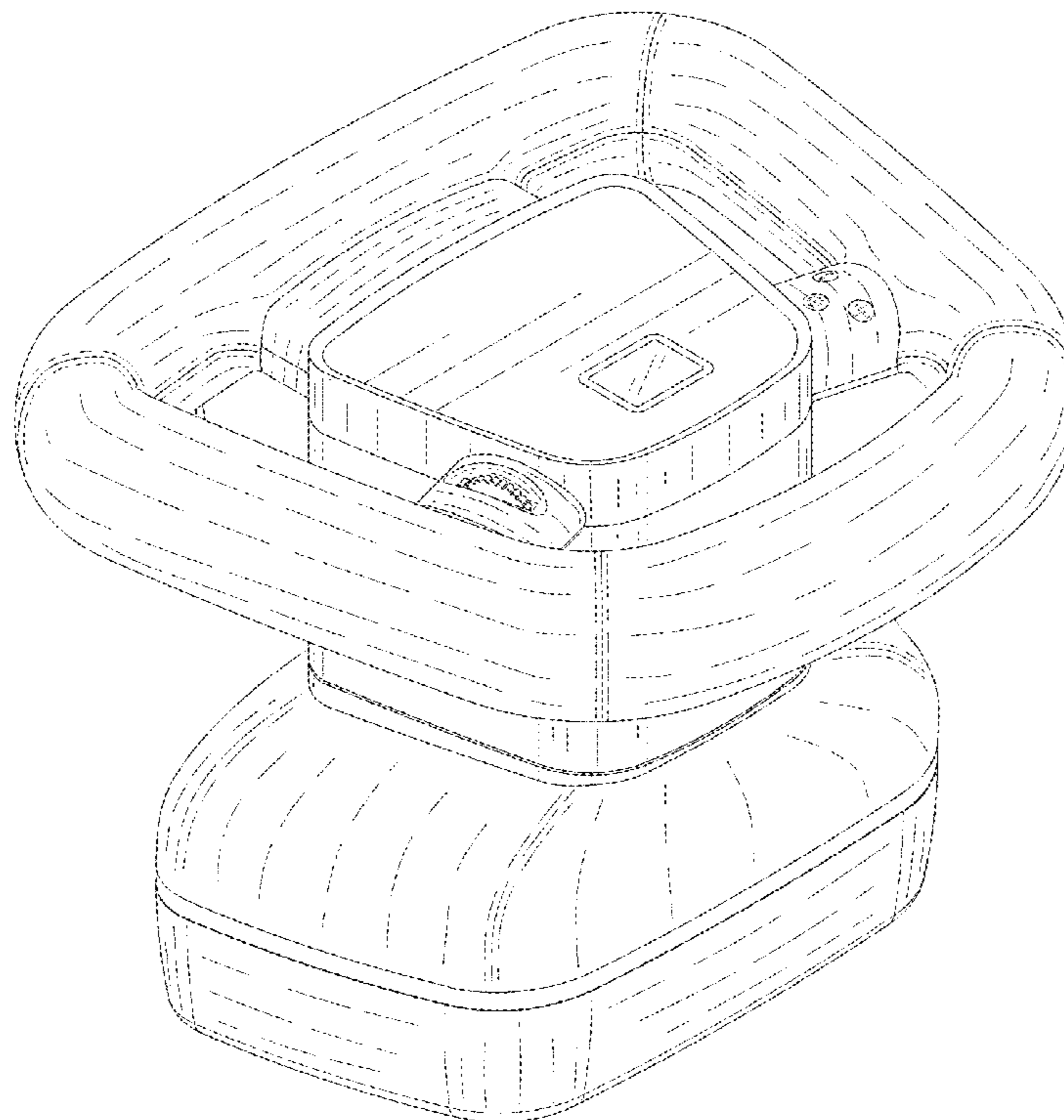
DESCRIPTION

FIG. 1 is a front perspective view of a multifunctional massager, showing my new design;
FIG. 2 is a front view thereof;
FIG. 3 is a rear view thereof;
FIG. 4 is a left side view thereof;
FIG. 5 is a right side view thereof;
FIG. 6 is a top view thereof; and,
FIG. 7 is a bottom view thereof.
The broken lines in the drawings illustrate the portions of the multifunctional massager, which form no part of the claimed design.

(56) **References Cited**
U.S. PATENT DOCUMENTS

D299,863 S * 2/1989 Noble D24/211
D331,466 S * 12/1992 Doria D24/200
D379,517 S * 5/1997 Wabafiyebazu D24/200
D423,677 S * 4/2000 Sivan D24/215
D530,019 S * 10/2006 Crunick D24/211
D685,106 S * 6/2013 Mills D24/215
D696,786 S * 12/2013 Bradford D24/215
D697,220 S * 1/2014 Clementes D24/211

1 Claim, 7 Drawing Sheets



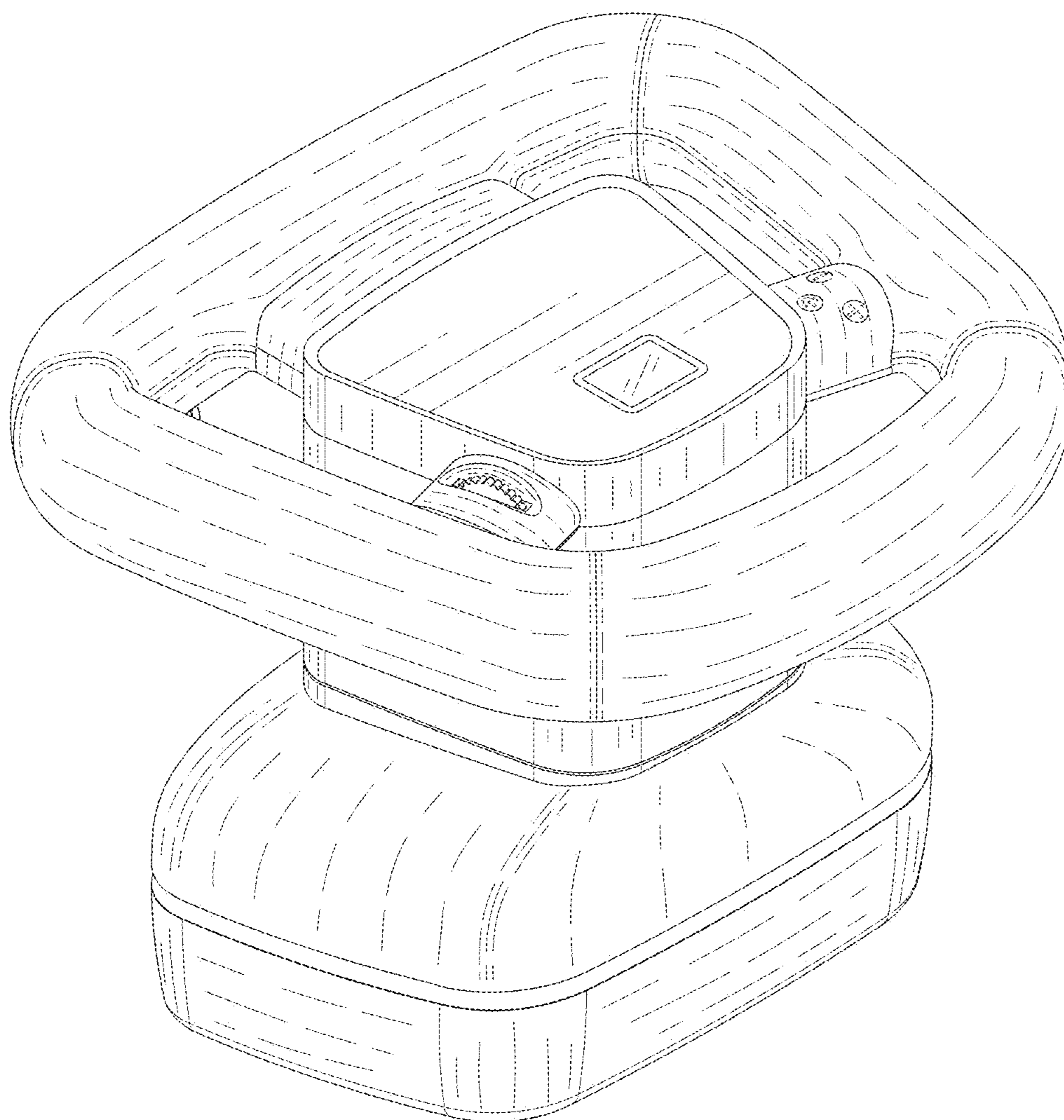


FIG. 1

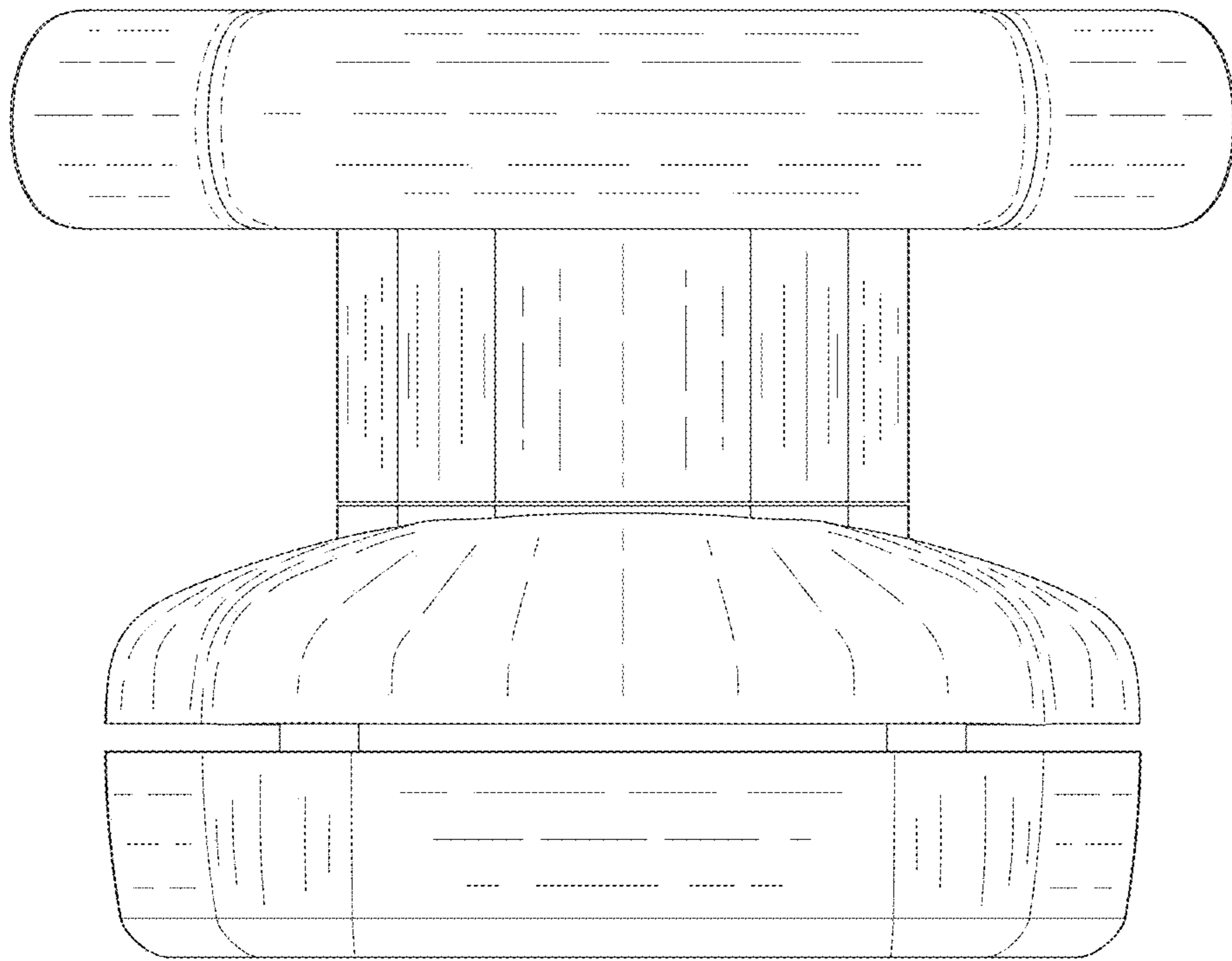


FIG. 2

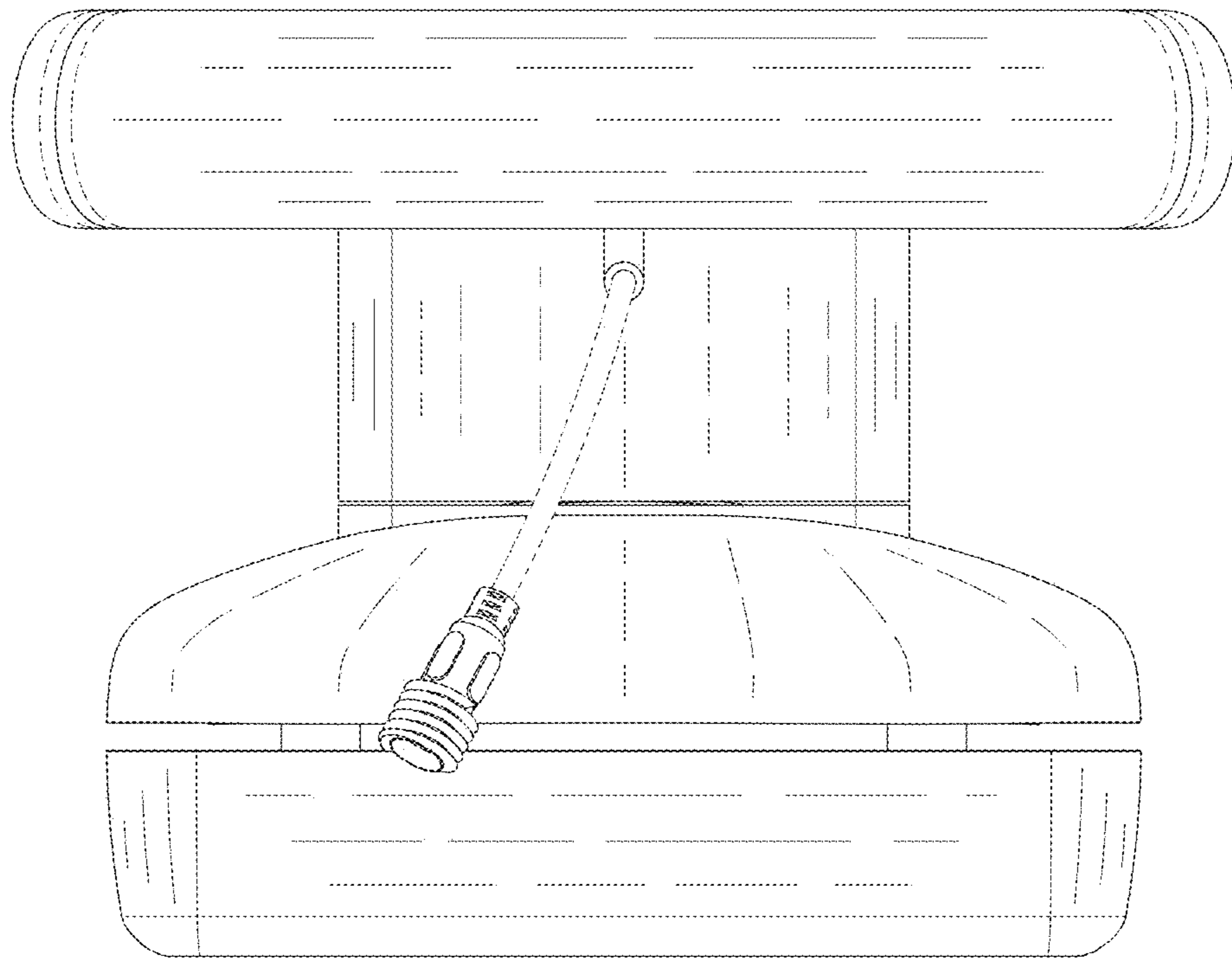


FIG. 3

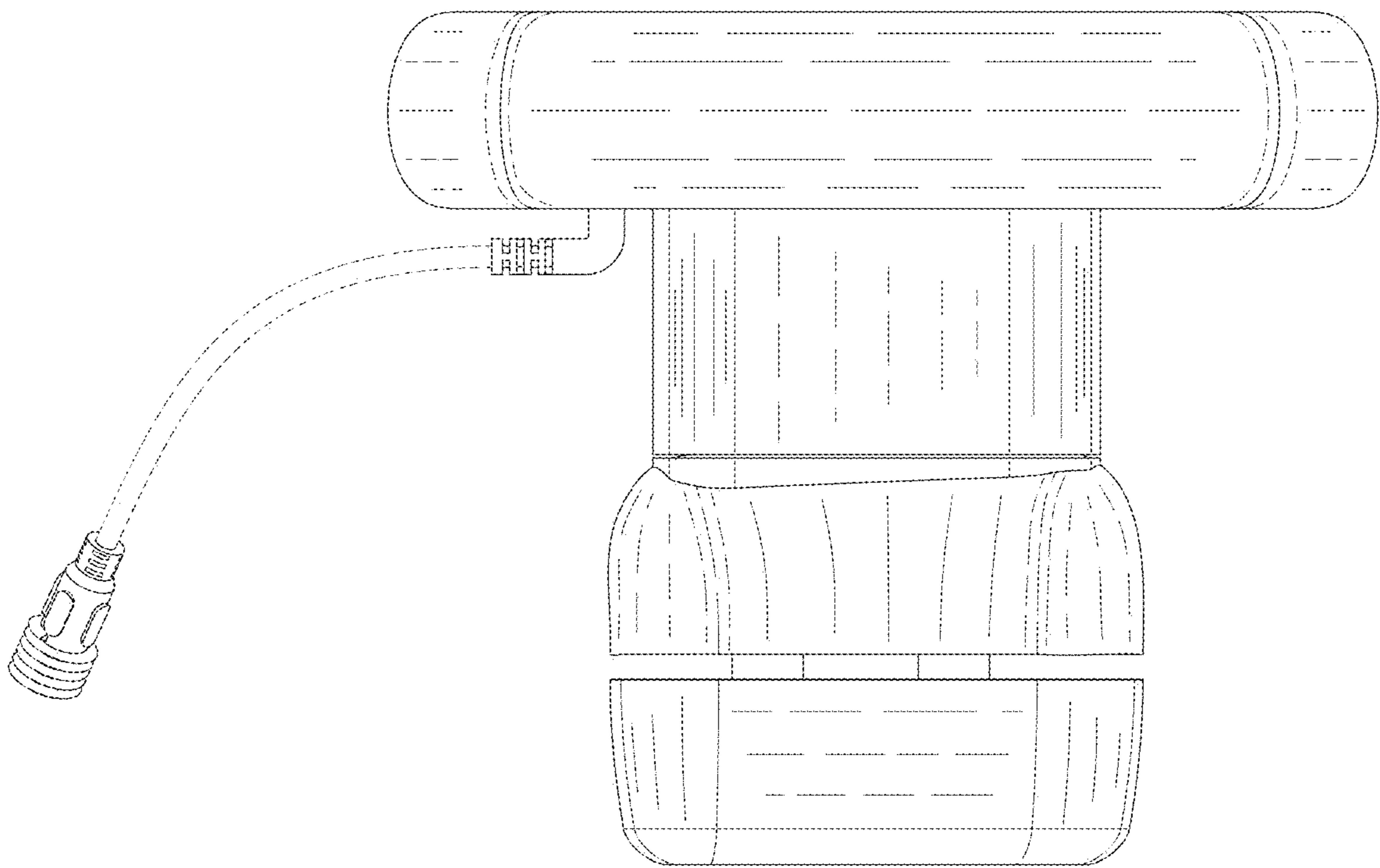


FIG. 4

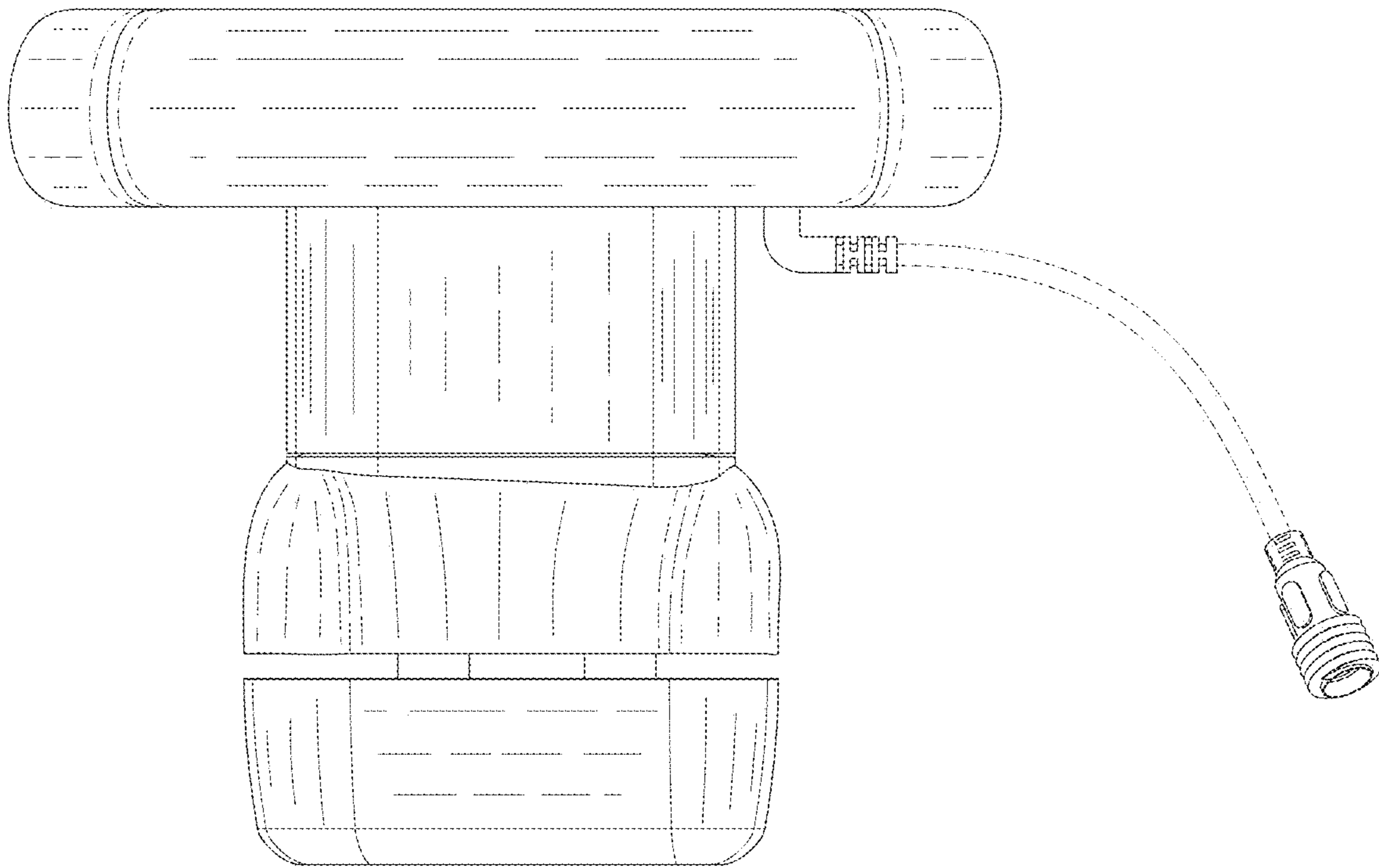


FIG. 5

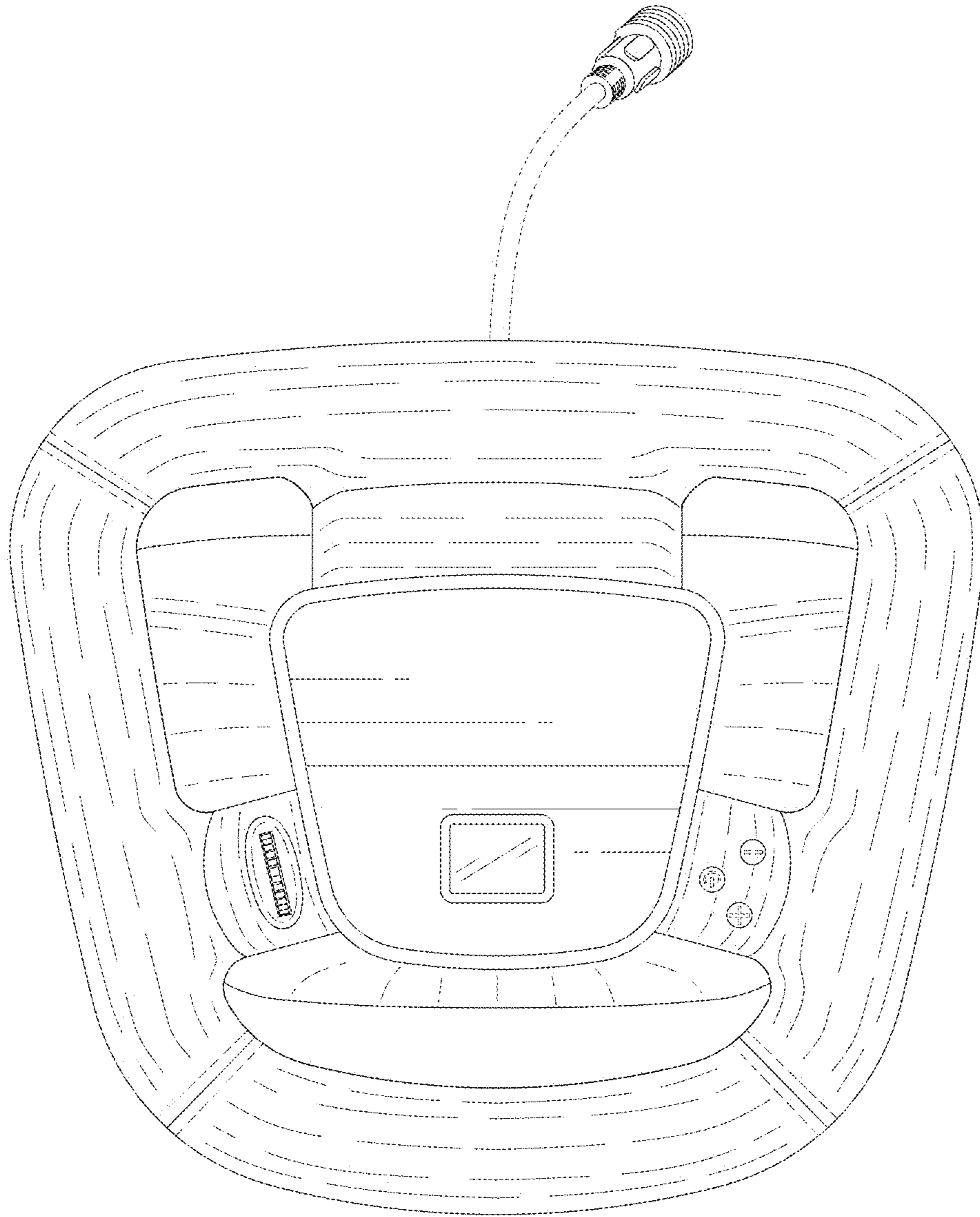


FIG. 6

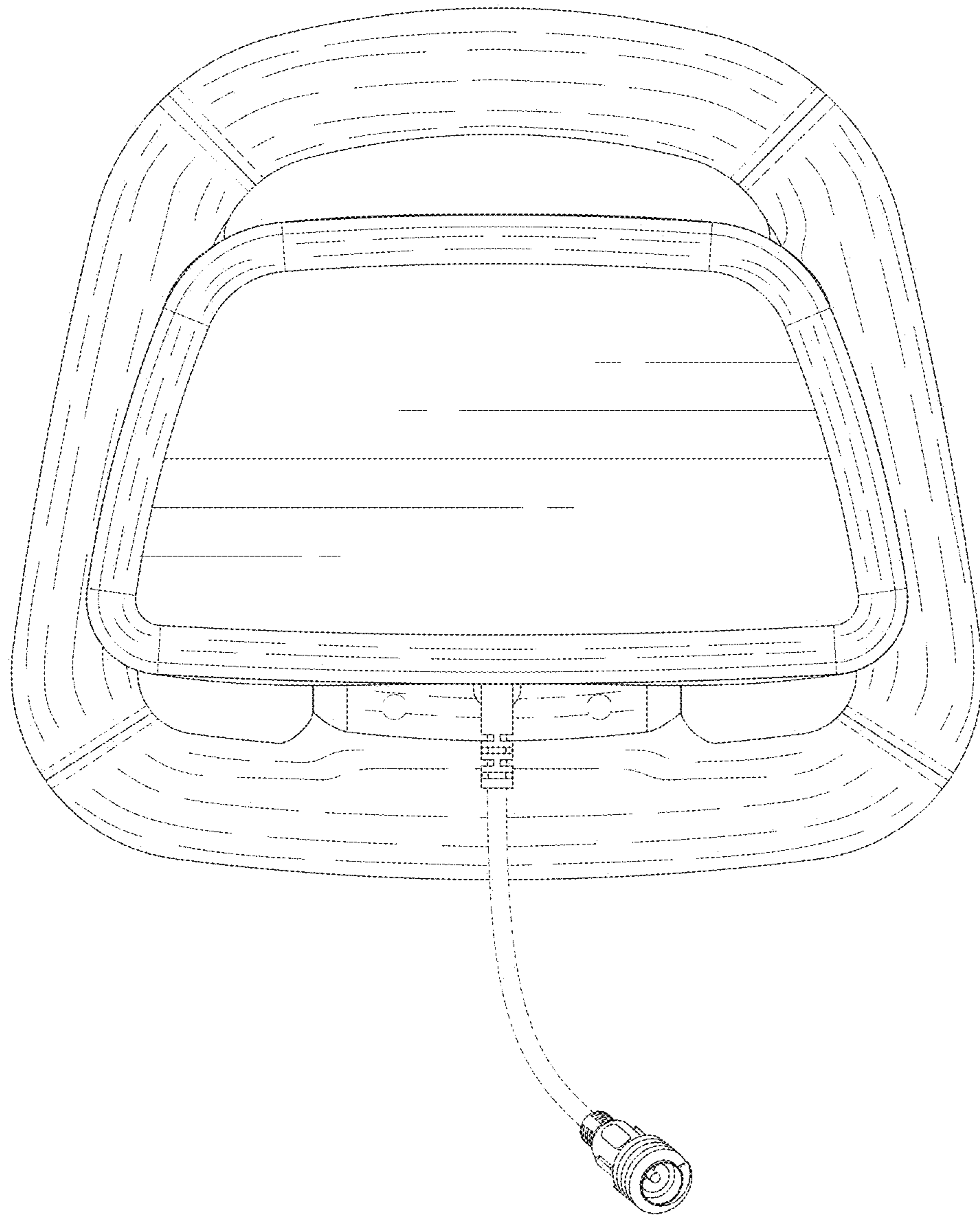


FIG. 7