



US00D976432S

(12) **United States Design Patent**
Tian

(10) **Patent No.:** **US D976,432 S**
(45) **Date of Patent:** **** Jan. 24, 2023**

(54) **MESSAGE DEVICE**
(71) Applicant: **ACHEDAWAY (SHENZHEN) TECHNOLOGY CO., LTD.**, Shenzhen (CN)
(72) Inventor: **Shaowen Tian**, Huaihua (CN)
(**) Term: **15 Years**

D642,281 S * 7/2011 Bachinski D24/200
D645,569 S * 9/2011 Nitsch D24/215
D723,705 S * 3/2015 Mininger D24/200
D752,763 S * 3/2016 Rondoni D24/186
D877,918 S * 3/2020 Siff D24/200
D921,902 S * 6/2021 Nachum D24/168
D940,128 S * 1/2022 Cartledge D14/341
D946,776 S * 3/2022 Ito D24/200
D965,811 S * 10/2022 Lopez D24/215

(21) Appl. No.: **29/787,382**
(22) Filed: **Jun. 7, 2021**
(30) **Foreign Application Priority Data**

Mar. 4, 2021 (CN) 202130119012.7

(51) **LOC (14) Cl.** **24-01**
(52) **U.S. Cl.**
USPC **D24/215**

(58) **Field of Classification Search**
USPC D24/141, 188, 189, 190, 200, 211, 212, D24/213, 214, 215; D30/160
CPC A61H 7/007; A61H 2201/0207; A61H 15/0078; A61H 23/02; A61H 2201/1215; A61H 7/004; A61H 2201/5043; A61H 1/005
See application file for complete search history.

(56) **References Cited**
U.S. PATENT DOCUMENTS

D269,376 S * 6/1983 Nakao D24/211
D477,880 S * 7/2003 Moretto D24/200
D504,953 S * 5/2005 Ryan D24/200

OTHER PUBLICATIONS

Halipax, "Fitdash Multi Function Mini Physiotherapist", Access Date: Oct. 16, 2022. <https://halipax.com/products/fitdash-multi-function-mini-physiotherapist?variant=33378731327625> (Year: 2022).*

* cited by examiner

Primary Examiner — Michael A Maharajh

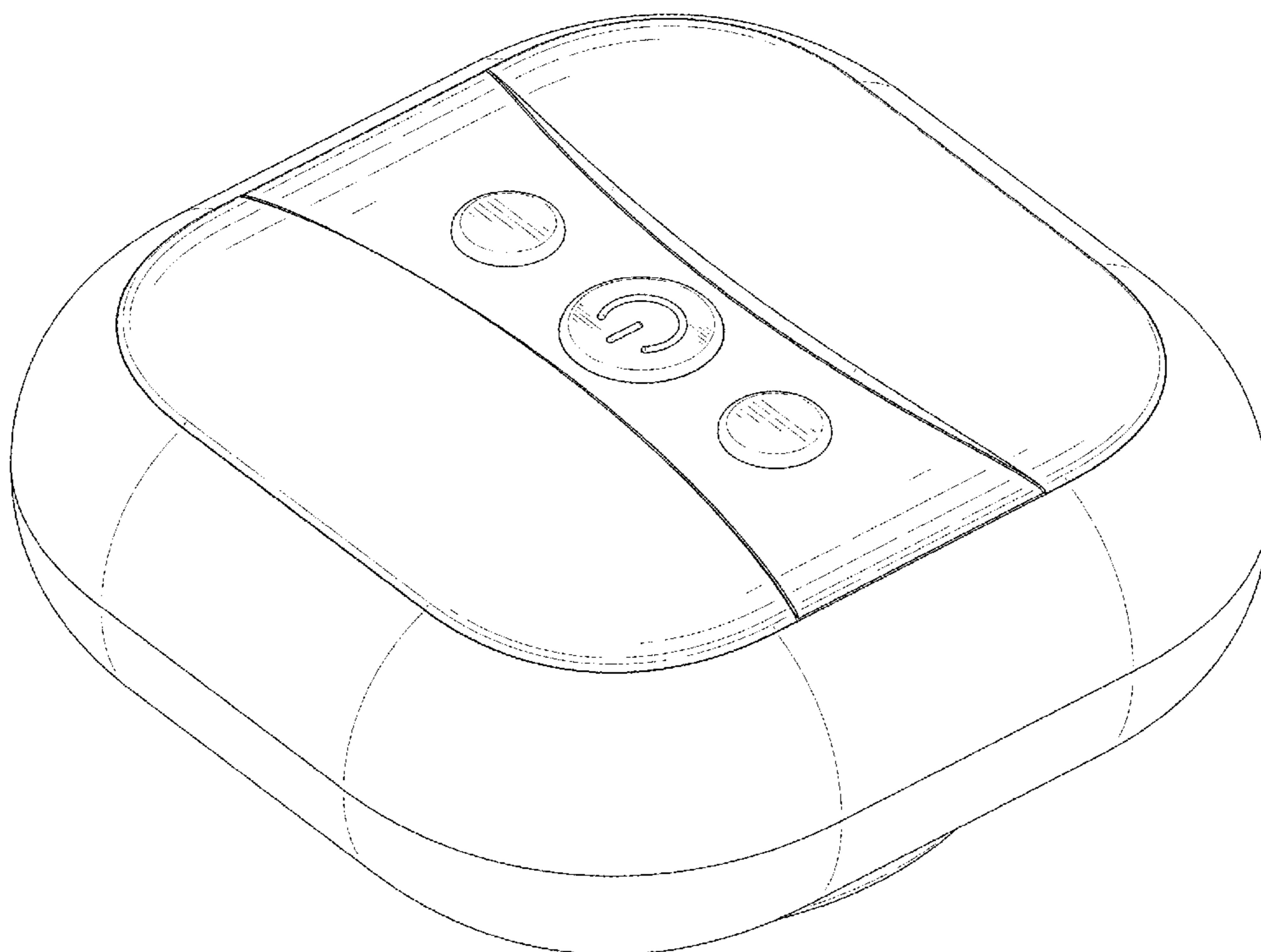
(57) **CLAIM**

The ornamental design for a message device, as shown and described.

DESCRIPTION

FIG. 1 is a perspective view of a message device showing my new design;
FIG. 2 is another perspective view thereof;
FIG. 3 is a front elevational view thereof;
FIG. 4 is a rear elevational view thereof;
FIG. 5 is a left side elevational view thereof;
FIG. 6 is a right side elevational view thereof;
FIG. 7 is a top plan view thereof; and,
FIG. 8 is a bottom plan view thereof.
The broken lines in the drawings depict portions of the message device that form no part of the claimed design.

1 Claim, 8 Drawing Sheets



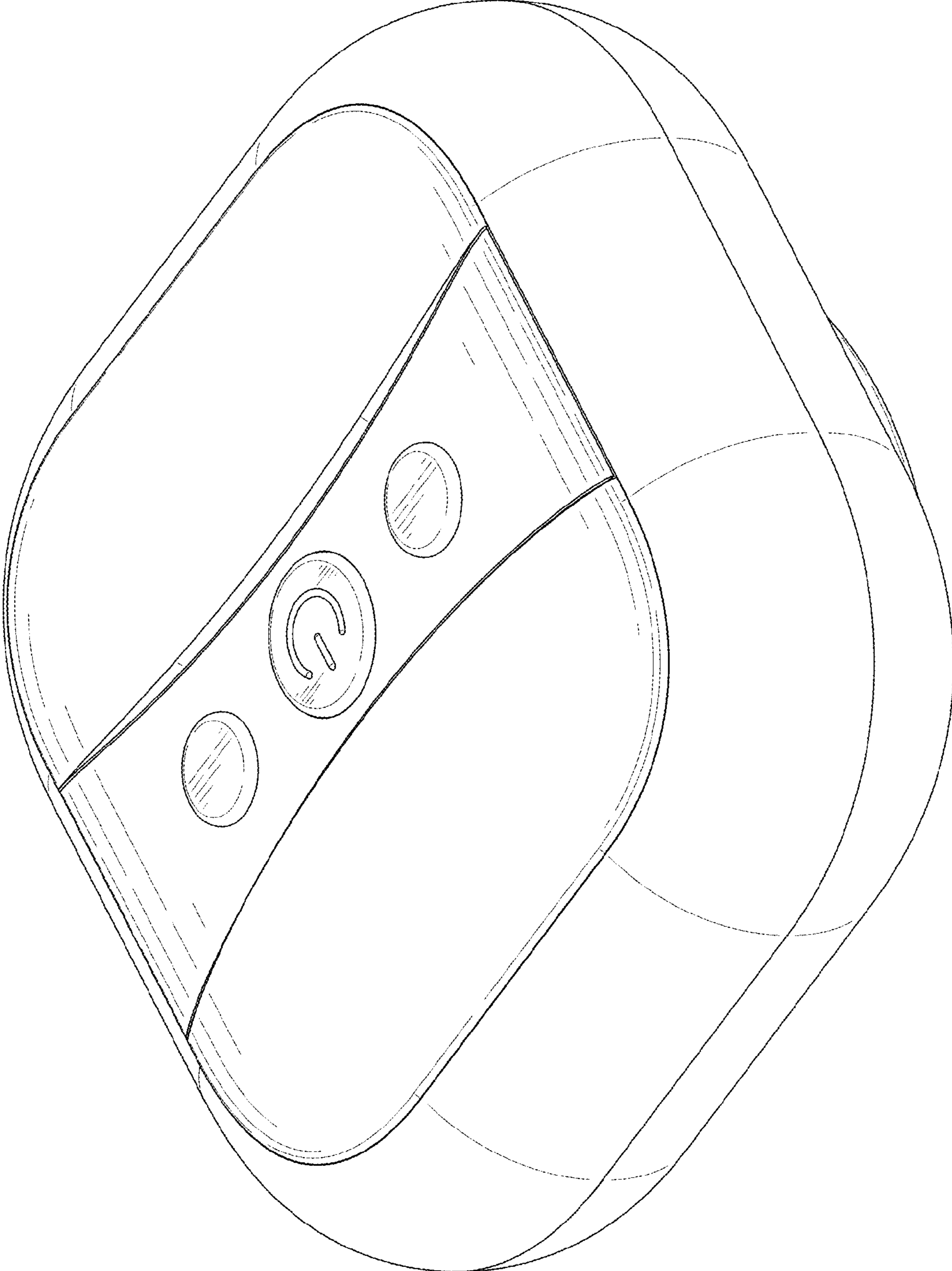


FIG. 1

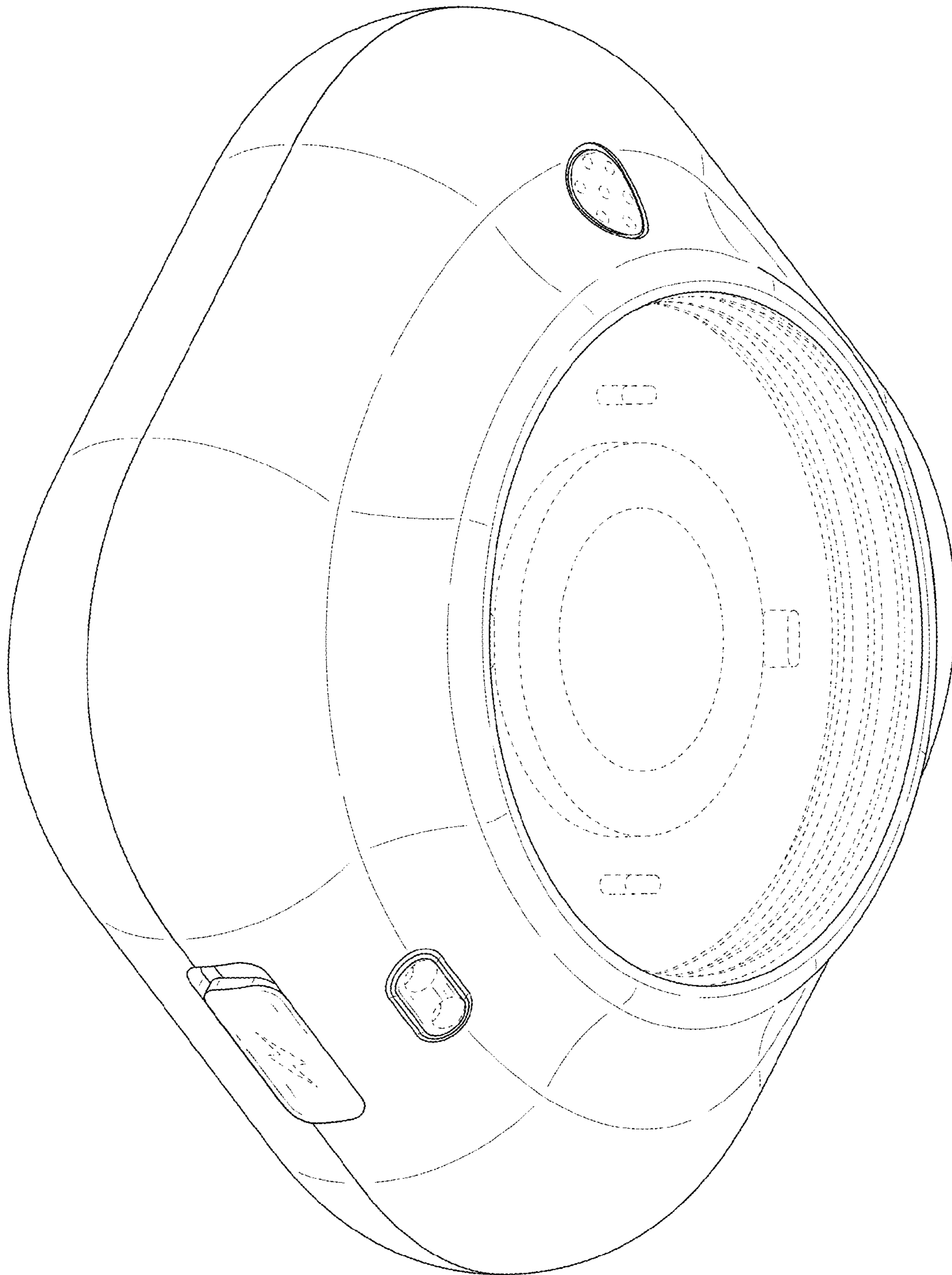


FIG. 2

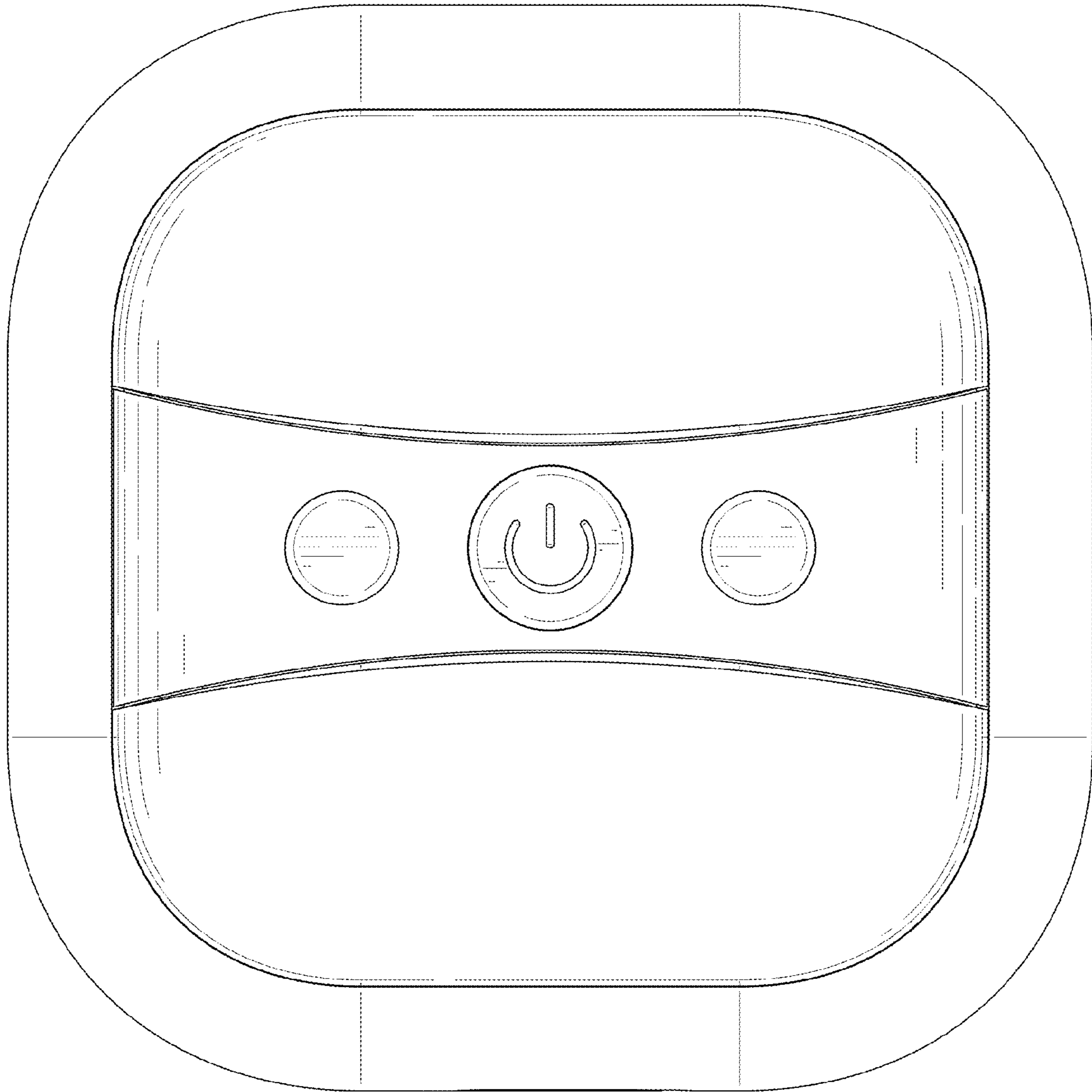


FIG. 3

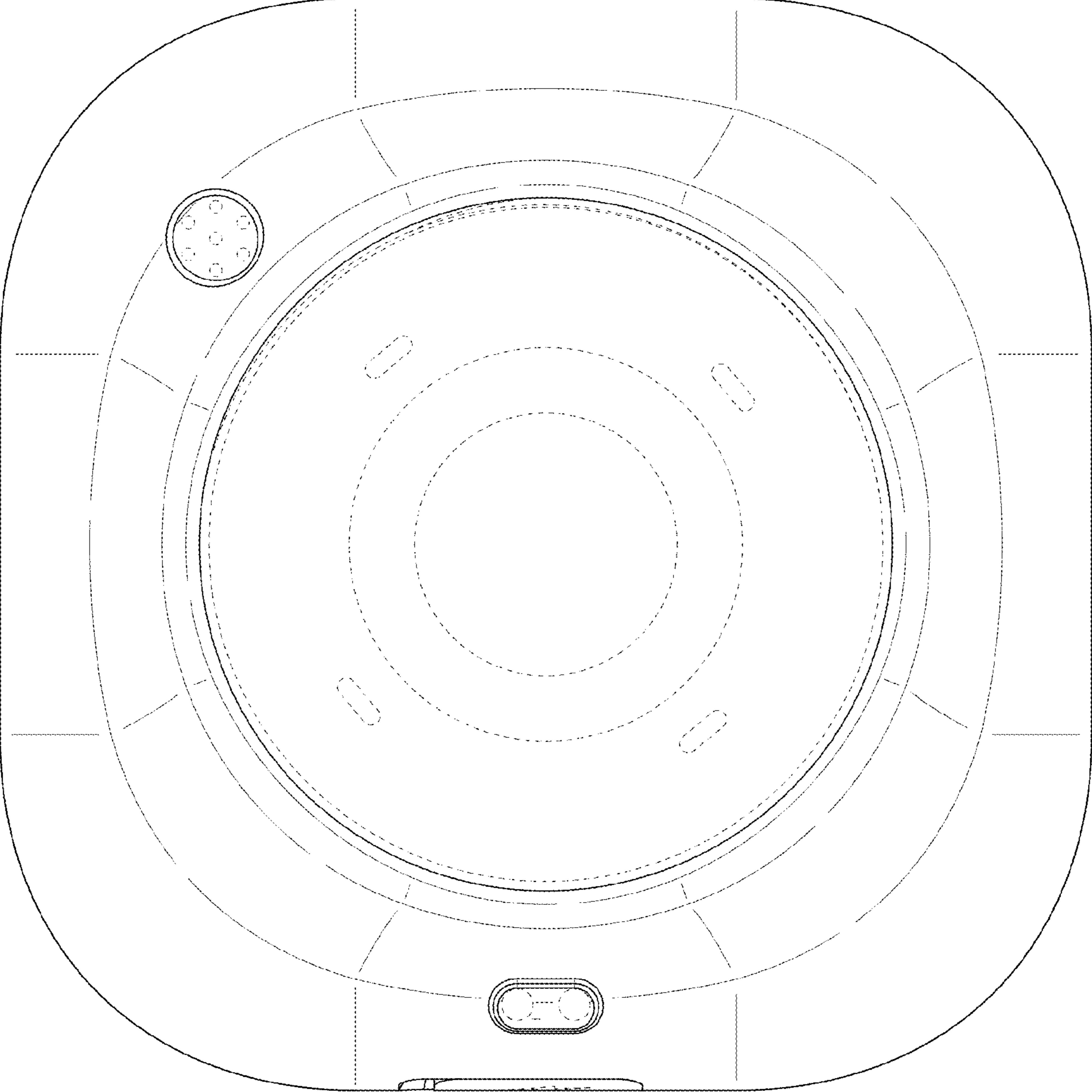


FIG. 4

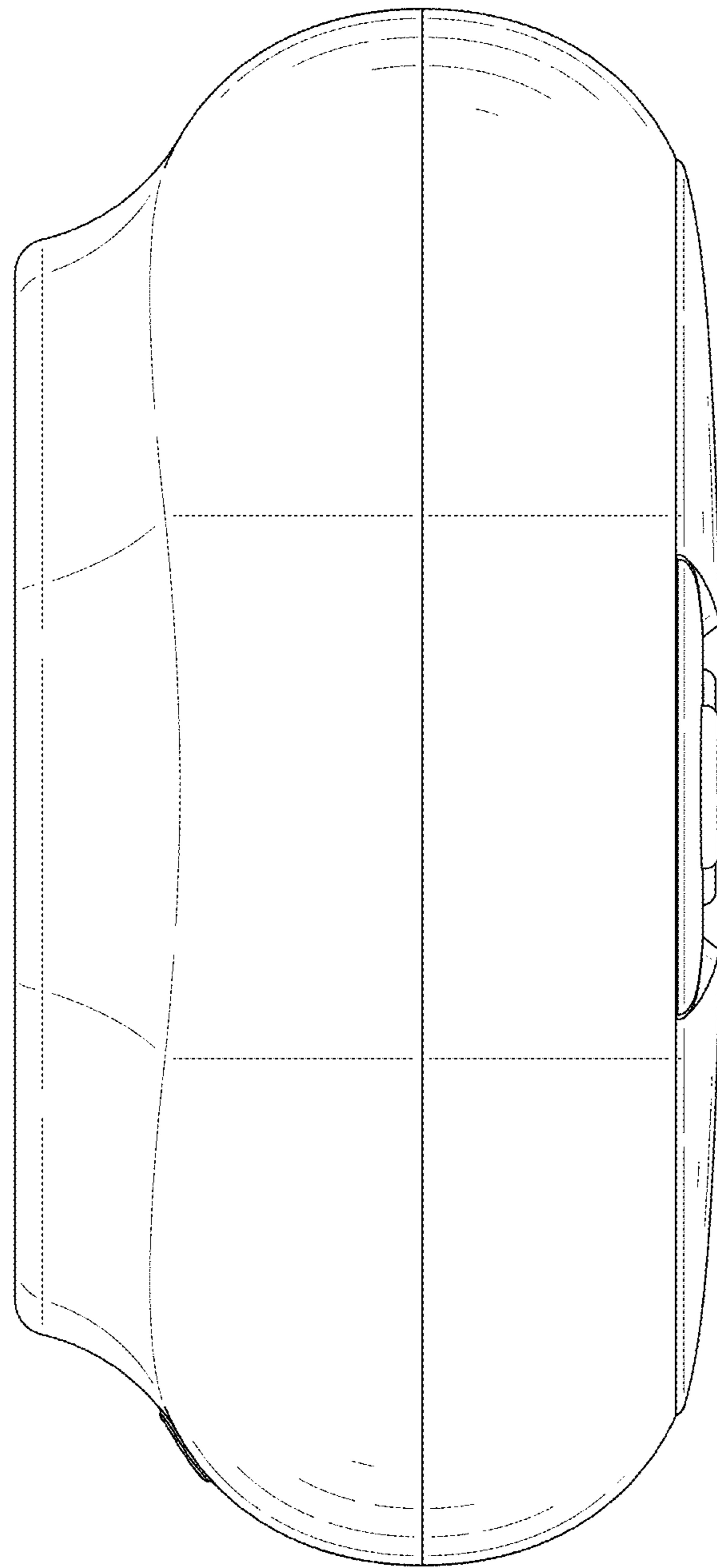


FIG. 5

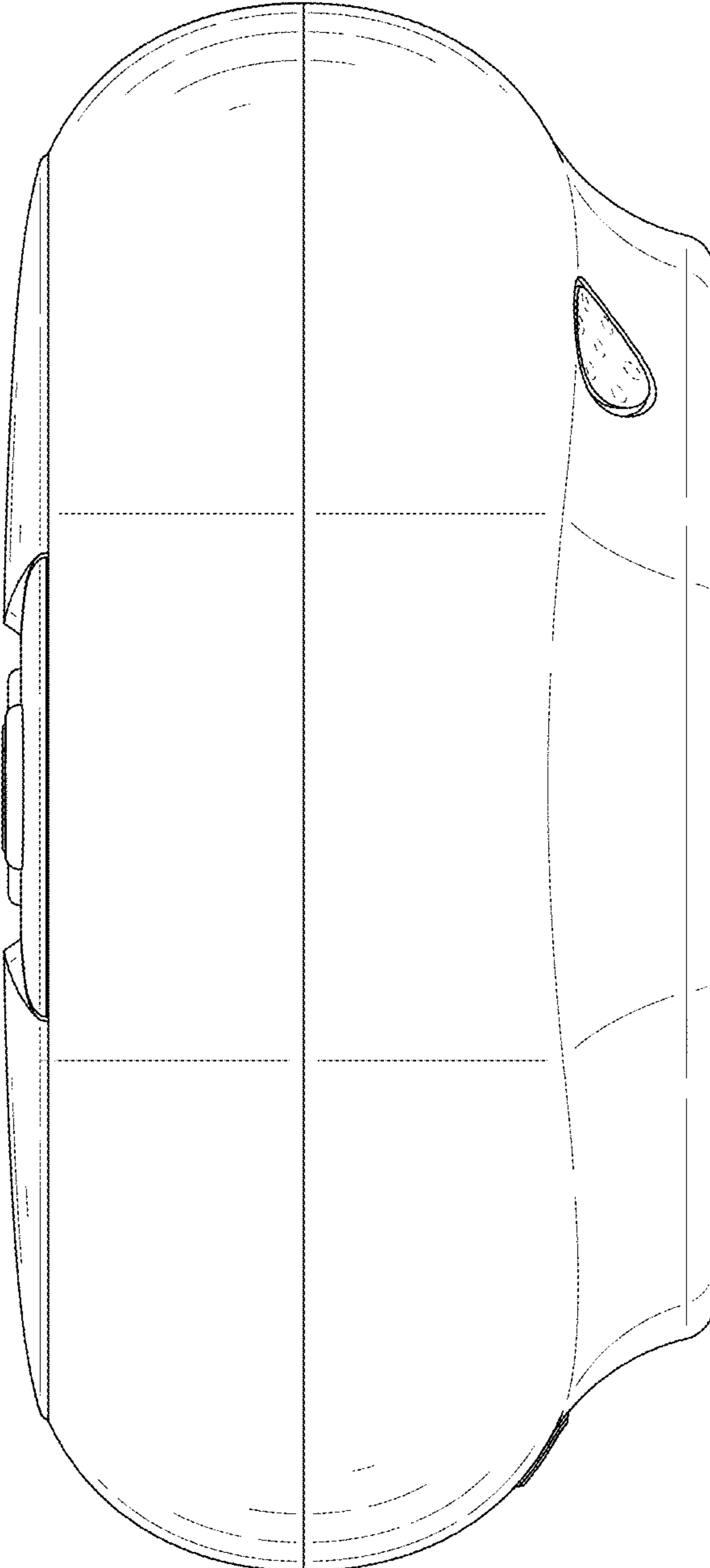


FIG. 6

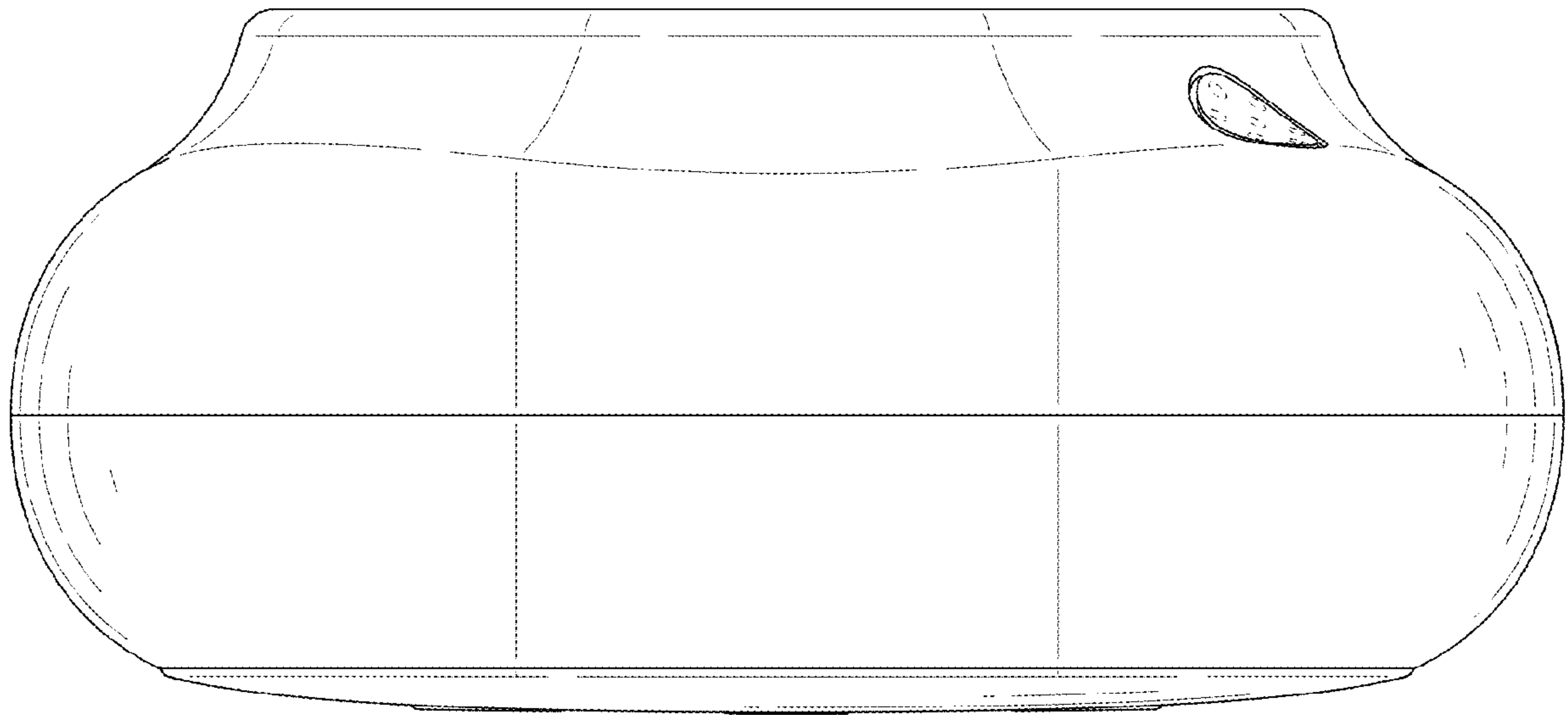


FIG. 7

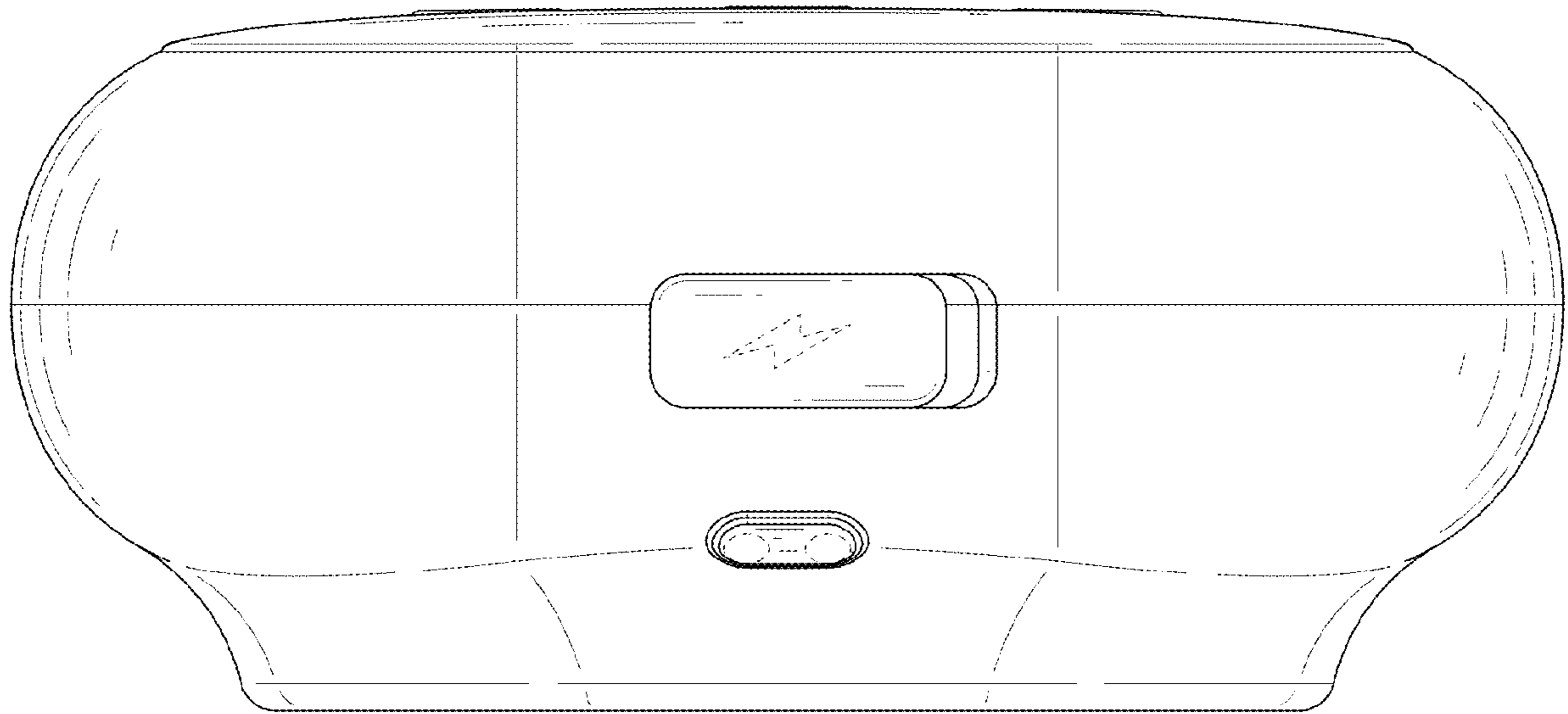


FIG. 8