



US00D976431S

(12) **United States Design Patent**
Wersland et al.

(10) **Patent No.:** **US D976,431 S**
(45) **Date of Patent:** **** Jan. 24, 2023**

(54) **FACIAL TREATMENT DEVICE**
(71) Applicant: **Therabody, Inc.**, Los Angeles, CA
(US)
(72) Inventors: **Jason Wersland**, Manhattan Beach, CA
(US); **Benjamin Nazarian**, Beverly
Hills, CA (US); **Jaime Sanchez Solana**,
Los Angeles, CA (US); **Eduardo**
Merino, Beverly Hills, CA (US); **Bill**
Webb, San Francisco, CA (US); **Alex**
Zhu, Xiamen (CN)

7,083,580 B2 8/2006 Bernabei
D535,746 S * 1/2007 Grove D24/146
D538,430 S * 3/2007 Ohta D24/146
7,204,832 B2 4/2007 Altshuler
(Continued)

FOREIGN PATENT DOCUMENTS

WO 2019097291 5/2019
WO 2019150887 8/2019
(Continued)

OTHER PUBLICATIONS

Therabody, "Theraface PRO", Access date Apr. 27, 2022. <https://www.therabody.com/us/en-us/theraface-pro-facial-care-device-black.html?cgid=therabody-recovery-devices#prefn1=productTypeMasterPLP&prefv1=theraface&start=1>. Shown on p. 1. (Year: 2022).*

(Continued)

Primary Examiner — Michael A Maharajh
(74) *Attorney, Agent, or Firm* — Sterne, Kessler,
Goldstein & Fox P.L.L.C.

(73) Assignee: **Therabody, Inc.**, Los Angeles, CA
(US)
(**) Term: **15 Years**
(21) Appl. No.: **29/772,505**
(22) Filed: **Mar. 2, 2021**
(51) **LOC (14) Cl.** **28-03**
(52) **U.S. Cl.**
USPC **D24/215**
(58) **Field of Classification Search**
USPC D24/133, 188, 200, 211, 212, 213, 214,
D24/215; D28/44, 56; D10/57
CPC .. A61N 2007/0034; A61B 2017/00761; A61B
2017/00747
See application file for complete search history.

(57) **CLAIM**

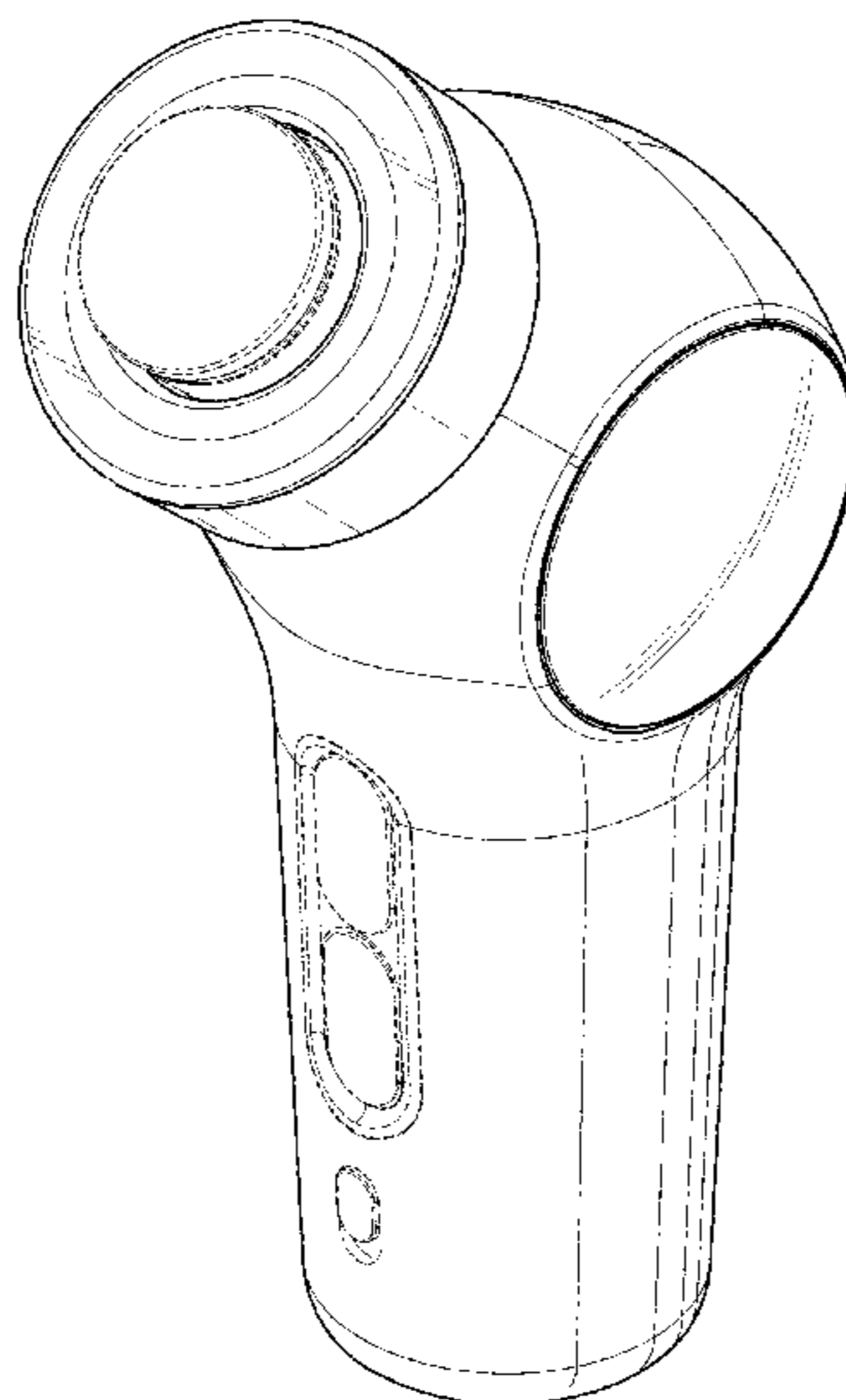
The ornamental design for a facial treatment device, as shown and described.

DESCRIPTION

FIG. 1 is a perspective view of a facial treatment device, showing our new design;
FIG. 2 is a front elevational view thereof;
FIG. 3 is a rear elevational view thereof;
FIG. 4 is a right side elevational view thereof;
FIG. 5 is a left side elevational view thereof;
FIG. 6 is a top plan view thereof; and,
FIG. 7 is a bottom plan view thereof.
The broken lines shown in the figures are for the purpose of illustrating portions of the facial treatment device that form no part of the claimed design.

1 Claim, 6 Drawing Sheets

(56) **References Cited**
U.S. PATENT DOCUMENTS
1,955,863 A 4/1934 Schmidt
2,183,726 A 12/1939 Sommer
4,858,600 A 8/1989 Gross
5,103,809 A 4/1992 DeLuca
6,535,761 B2 3/2003 Bernabei
6,743,215 B2 6/2004 Bernabei
6,748,266 B2 6/2004 Bernabei
6,766,199 B2 7/2004 Cook
6,980,854 B2 12/2005 Bernabei
7,010,343 B2 3/2006 Bernabei



(56)

References Cited

U.S. PATENT DOCUMENTS

7,258,675 B2 8/2007 Nichols
 7,282,036 B2 10/2007 Masuda
 7,305,269 B2 12/2007 Cook
 7,376,460 B2 5/2008 Bernabei
 D583,262 S * 12/2008 Flandin D10/57
 7,471,979 B2 12/2008 Bernabei
 7,532,926 B2 5/2009 Bernabei
 8,105,322 B2 1/2012 Ely
 8,157,753 B2 4/2012 Nichols
 D659,843 S * 5/2012 Wang D24/200
 8,182,473 B2 5/2012 Altshuler
 8,382,690 B2 2/2013 Yoon
 8,506,506 B2 8/2013 Nebrigic
 8,523,791 B2 9/2013 Castel
 8,540,702 B2 9/2013 Ely
 D693,932 S 11/2013 Nichols
 8,655,448 B2 2/2014 Cook
 8,696,605 B2 4/2014 Nichols
 8,906,009 B2 12/2014 Nebrigic
 8,945,104 B2 2/2015 Boone, III
 9,023,021 B2 5/2015 Behrakis
 9,042,993 B2 5/2015 Cook
 9,084,587 B2 7/2015 Eckhouse
 D736,399 S 8/2015 Nichols
 D747,800 S * 1/2016 Dunleavy D24/133
 9,272,141 B2 3/2016 Nichols
 9,278,045 B2 3/2016 Scerbo
 9,386,837 B2 7/2016 Geva
 D764,173 S 8/2016 Nichols
 D765,982 S 9/2016 Nichols
 9,579,250 B2 2/2017 Nichols
 9,585,687 B2 3/2017 Tenenbaum
 D803,572 S 11/2017 Nichols
 9,808,646 B2 11/2017 Piergallini
 9,872,813 B2 1/2018 Giraud
 9,925,006 B2 3/2018 Behrakis
 10,016,337 B2 7/2018 Roberts
 10,124,165 B2 11/2018 Gimelli
 10,137,054 B2 11/2018 Giraud
 10,252,051 B2 4/2019 Nichols
 10,376,659 B2 4/2019 Nichols
 10,278,888 B2 5/2019 Sabattier
 10,285,722 B2 5/2019 Favie
 10,307,330 B1 6/2019 Sedic
 10,383,486 B2 8/2019 Nichols
 10,511,777 B2 12/2019 Nichols
 10,518,097 B2 12/2019 Grez
 10,625,093 B2 4/2020 Shenfarber
 10,661,072 B2 5/2020 Kern
 10,695,508 B2 6/2020 Lorberbaum
 10,737,107 B2 8/2020 Ledany
 10,821,299 B1 11/2020 Shenfarber
 10,881,577 B2 1/2021 Hashimoto
 D917,313 S * 4/2021 Chen D10/57
 D932,038 S * 9/2021 Park D24/209
 D932,323 S * 10/2021 Dai D10/57
 2004/0030325 A1 2/2004 Cahir
 2004/0147984 A1 7/2004 Altshuler
 2005/0043653 A1 2/2005 Trimmer
 2007/0038206 A1 2/2007 Altshuler
 2007/0179573 A1 8/2007 Laurent
 2007/0198004 A1 8/2007 Altshuler
 2007/0213696 A1 9/2007 Altshuler
 2007/0213698 A1 9/2007 Altshuler
 2007/0239142 A1 10/2007 Altshuler
 2007/0239143 A1 10/2007 Altshuler
 2008/0014011 A1 1/2008 Rossen
 2008/0065176 A1 3/2008 Zhang
 2008/0119913 A1 3/2008 Powell

2008/0103493 A1 5/2008 Abboud
 2008/0103560 A1 5/2008 Powell
 2008/0103563 A1 5/2008 Powell
 2008/0125835 A1 5/2008 Laurent
 2008/0215123 A1 9/2008 Maricle
 2008/0275532 A1 11/2008 Yamazaki
 2009/0043293 A1 2/2009 Pankratov
 2009/0234338 A1 9/2009 Roth
 2009/0287195 A1 11/2009 Altshuler
 2010/0121419 A1 3/2010 Douglas
 2010/0274162 A1 10/2010 Evans
 2010/0274329 A1 10/2010 Bradley
 2010/0312157 A1 12/2010 Yan
 2011/0184499 A1 7/2011 Radi
 2012/0065555 A1 3/2012 Chae
 2012/0109041 A1 5/2012 Munz
 2013/0012851 A1 1/2013 Fahmie
 2014/0135798 A1 5/2014 David
 2014/0219701 A1 8/2014 Eberlein
 2014/0288364 A1 9/2014 St. Bernard
 2014/0323927 A1 10/2014 Kim
 2014/0336540 A1 11/2014 Chen
 2015/0045702 A1 2/2015 Lin
 2015/0100002 A1 4/2015 Choi
 2015/0224020 A1 8/2015 Flyash
 2015/0283025 A1 10/2015 Ledany
 2016/0324719 A1 11/2016 Badmus
 2017/0049278 A1 2/2017 Thomassen
 2017/0056685 A1 3/2017 Harvey
 2017/0072175 A1 3/2017 Batiste
 2017/0128130 A1 5/2017 Giraud
 2017/0202732 A1 7/2017 Nichols
 2017/0238686 A1 8/2017 Sanchez Martinez
 2018/0015299 A1 1/2018 Kawa
 2018/0133470 A1 5/2018 Park
 2018/0185236 A1 7/2018 Levi
 2019/0240110 A1 8/2019 Sedic
 2019/0262607 A1 8/2019 Nichols
 2019/0343712 A1 11/2019 Cheng
 2020/0038673 A1 2/2020 Yildirim
 2020/0113322 A1 4/2020 Balestrini
 2020/0129372 A1 4/2020 Tseng
 2020/0215351 A1 7/2020 Shenfarber
 2020/0237085 A1 7/2020 Miller
 2020/0237604 A1 7/2020 Truong
 2020/0253811 A1 8/2020 Alexander
 2020/0268594 A1 8/2020 Pepe
 2020/0280680 A1 9/2020 Nichols
 2020/0288843 A1 9/2020 Verheem
 2020/0390468 A1 12/2020 Alexander
 2021/0001148 A1 1/2021 Verheem

FOREIGN PATENT DOCUMENTS

WO 2020028329 2/2020
 WO 2020154177 7/2020
 WO 2020159727 8/2020
 WO 2020163738 8/2020
 WO 2020252440 12/2020

OTHER PUBLICATIONS

Amazon, "TheraFace Pro Therapy Massage", First Available Date Apr. 13, 2022. https://www.amazon.com/TheraFace-Facial-Percussive-Therapy-Massage/dp/B09TZ4DPRN/ref=sr_1_1?crid=2KI2MFH3P9Y9K&keywords=TheraFace%2BPRO&qid=1651062121&sprefix=theraface%2Bpro%2Caps%2C57&sr=8-1&th=1. (Year: 2022).*

* cited by examiner

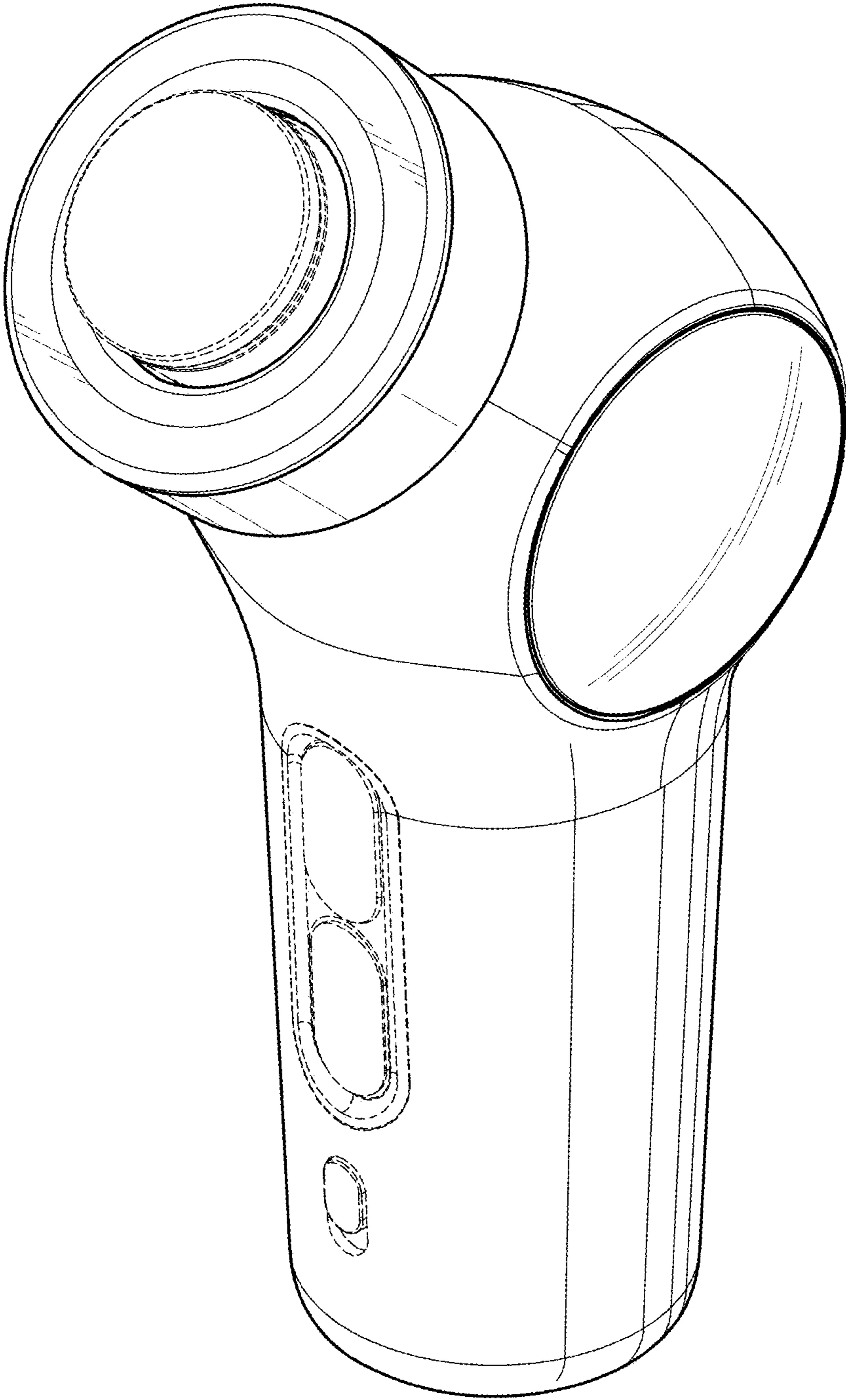


FIG. 1

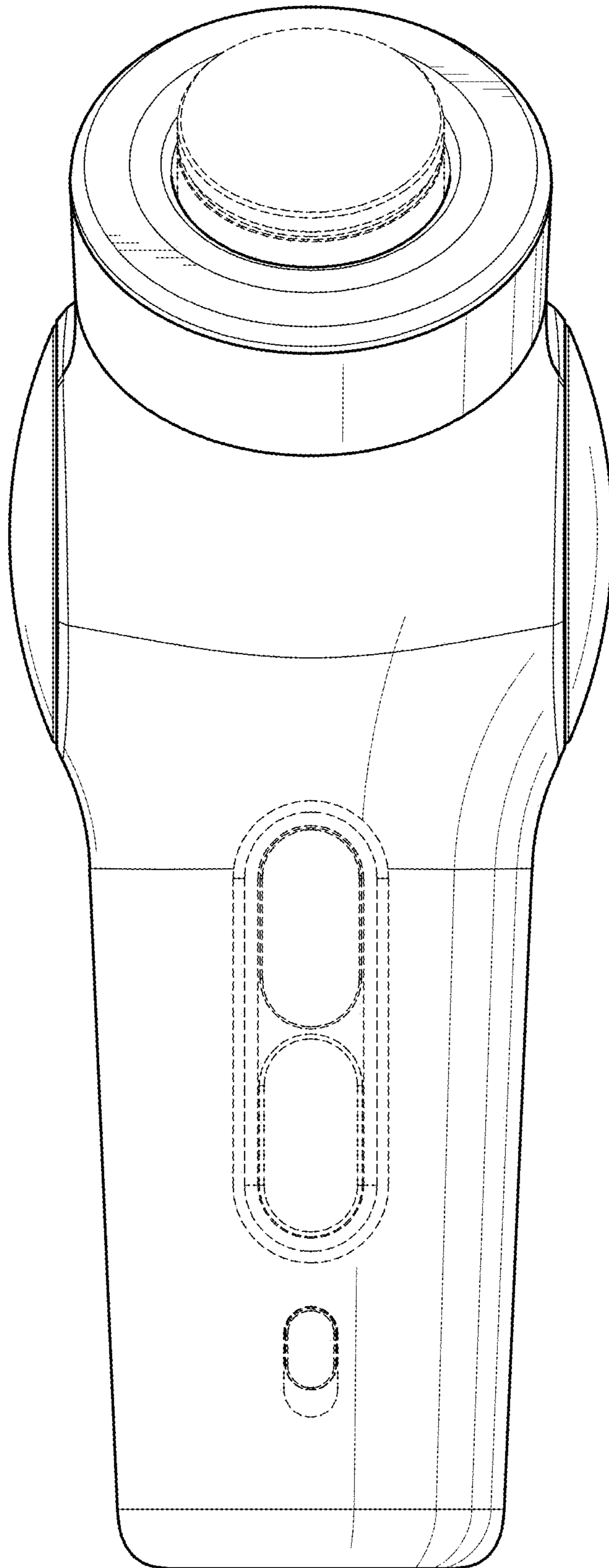


FIG. 2

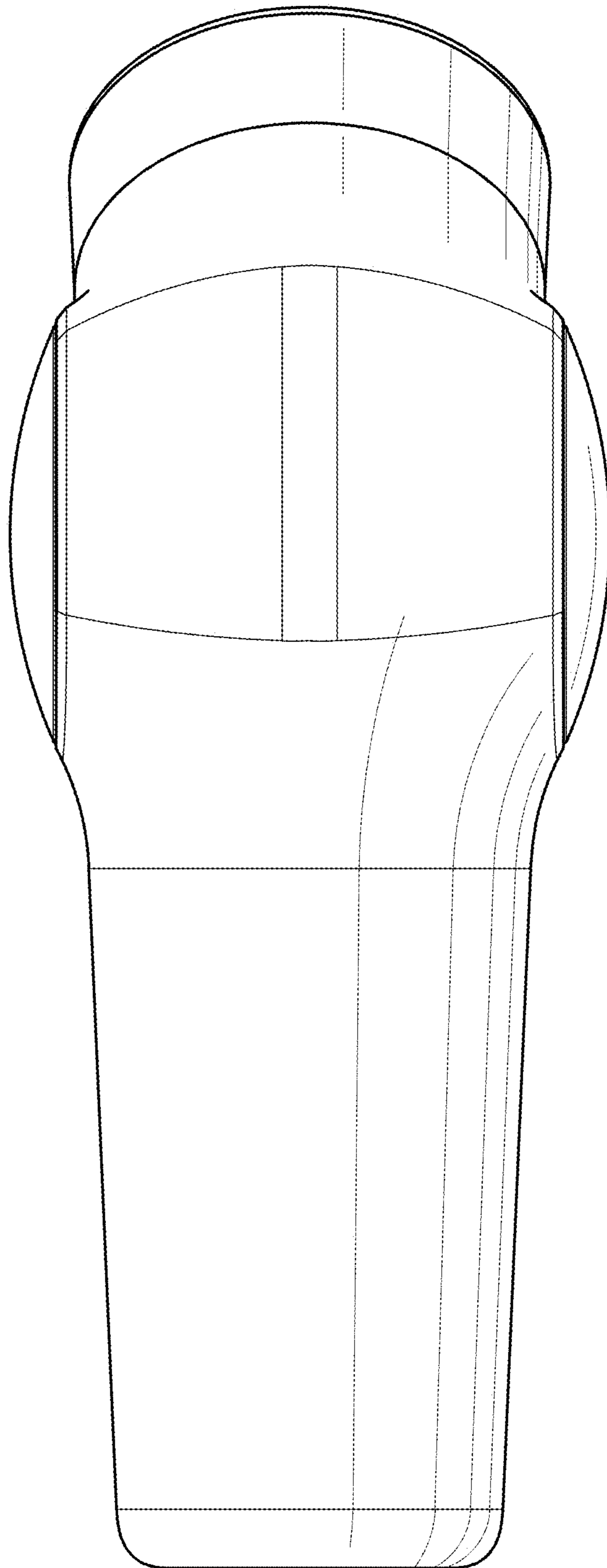


FIG. 3

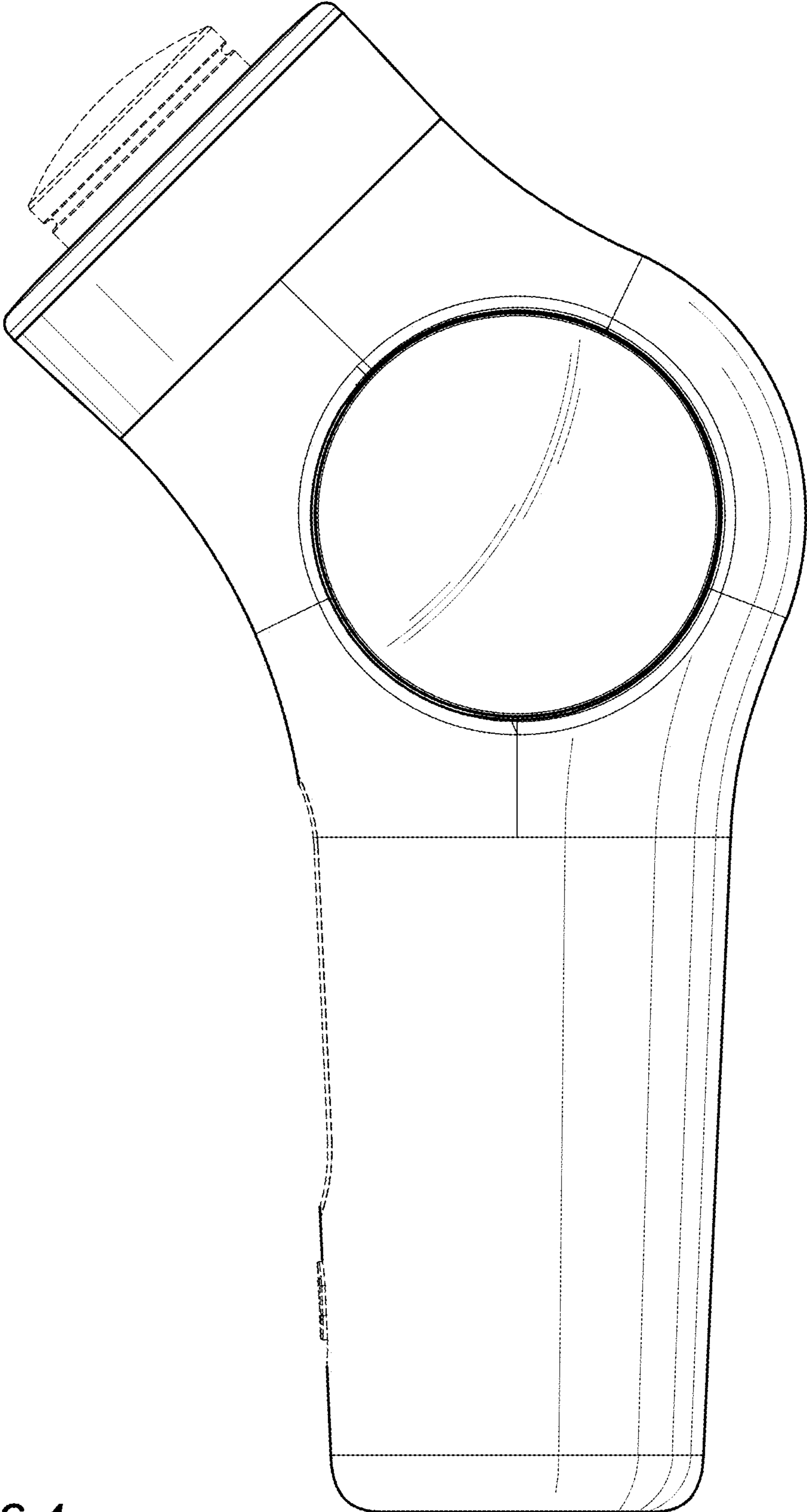


FIG. 4

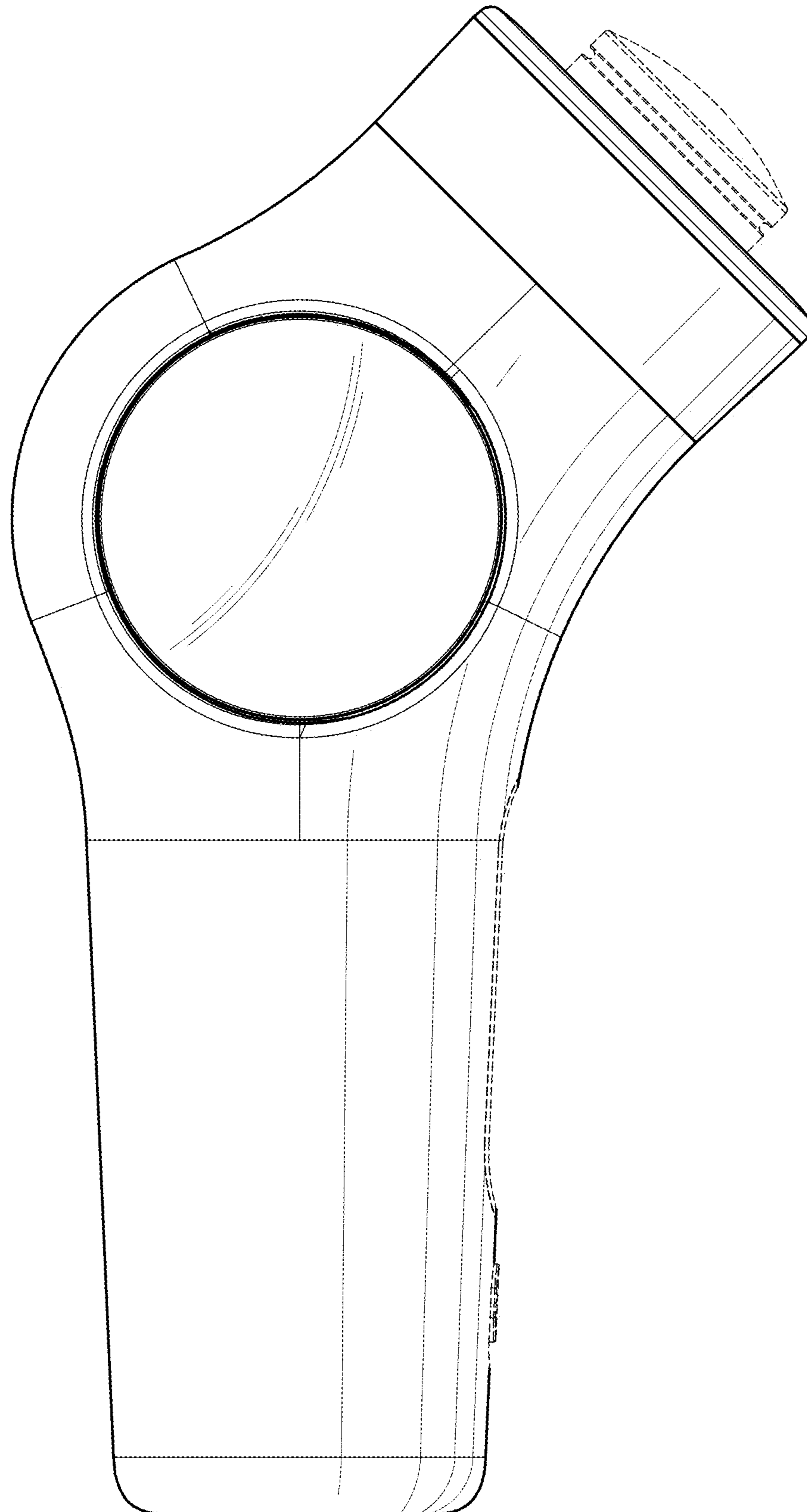


FIG. 5

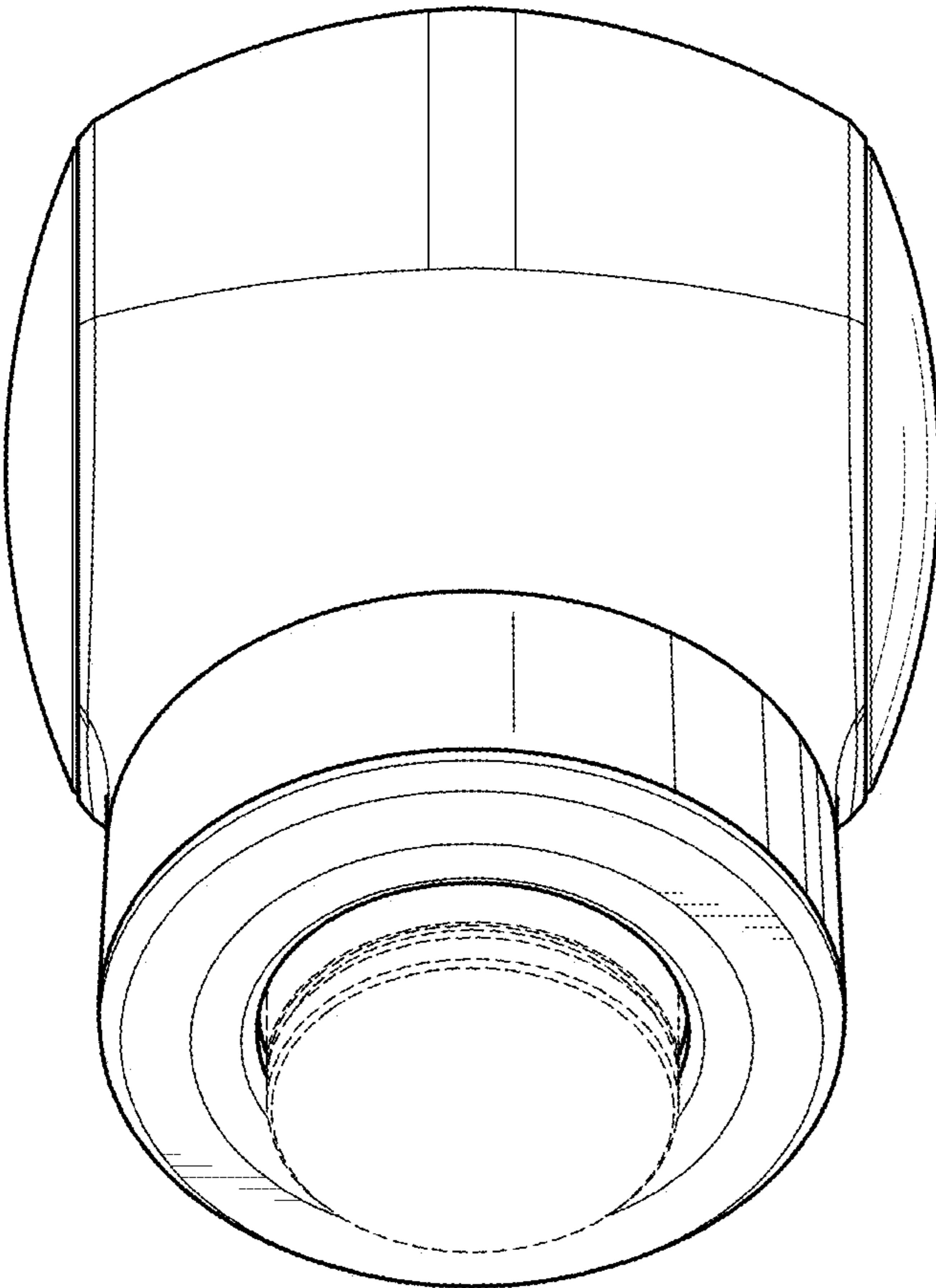


FIG. 6

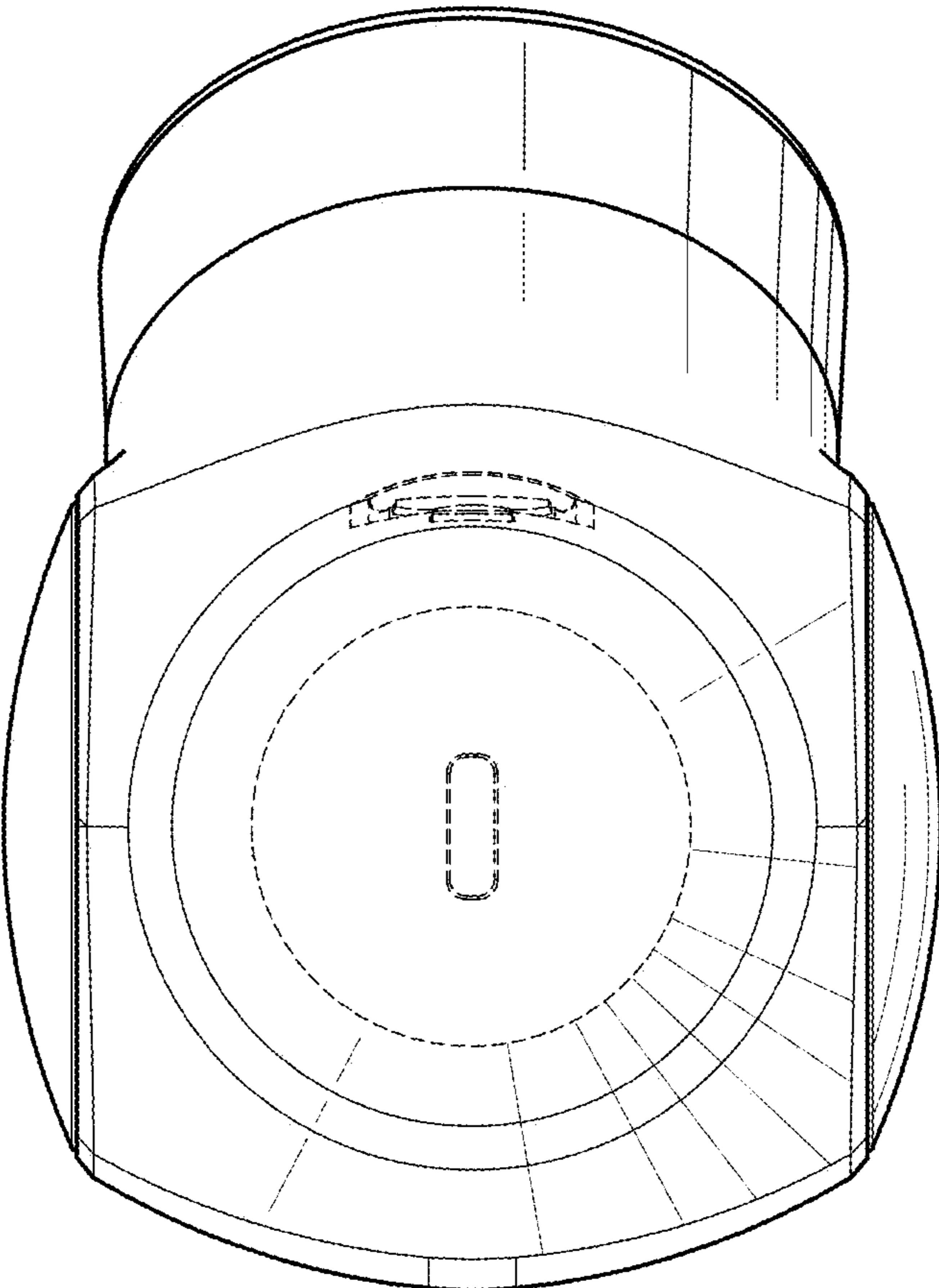


FIG. 7