



US00D976429S

(12) **United States Design Patent** (10) **Patent No.:** **US D976,429 S**  
**Marton et al.** (45) **Date of Patent:** **\*\* Jan. 24, 2023**

(54) **PERCUSSIVE MASSAGE DEVICE**

D895,133 S 9/2020 Xu  
D895,135 S 9/2020 Xu  
D895,829 S 9/2020 Hu

(71) Applicant: **Hyper Ice, Inc.**, Irvine, CA (US)

(Continued)

(72) Inventors: **Robert Marton**, Yorba Linda, CA (US); **Anthony Katz**, Laguna Niguel, CA (US); **Pascal Olivier Ruelle**, Antibes (FR); **Eli A. Guerron**, Redwood City, CA (US)

**FOREIGN PATENT DOCUMENTS**

CN 3108457 4/1999  
CN 3155803 8/2000

(Continued)

(73) Assignee: **Hyper Ice, Inc.**, Irvine, CA (US)

**OTHER PUBLICATIONS**

(\*\*) Term: **15 Years**

Hyper Ice, "Hypervolt 2 Pro", Feb. 4, 2022, <https://hyperice.com/products/hypervolt-2-pro/>. Shown on p. 1. (Year: 2022).

(Continued)

(21) Appl. No.: **29/771,144**

(22) Filed: **Feb. 19, 2021**

(51) **LOC (14) Cl.** ..... **28-03**

(52) **U.S. Cl.**  
USPC ..... **D24/215**

(58) **Field of Classification Search**  
USPC ..... D24/200, 211, 212, 213, 214, 215;  
D8/14.1; D28/13  
CPC ..... A61H 15/02; A61H 1/008; A61H  
2201/1635; A61H 1/006; A61H 15/00  
See application file for complete search history.

*Primary Examiner* — Michael A Maharajh

(74) *Attorney, Agent, or Firm* — Patterson Intellectual Property Law, P.C.; Jerry Turner Sewell

(57) **CLAIM**

The ornamental design for a percussive massage device, as shown and described.

**DESCRIPTION**

(56) **References Cited**

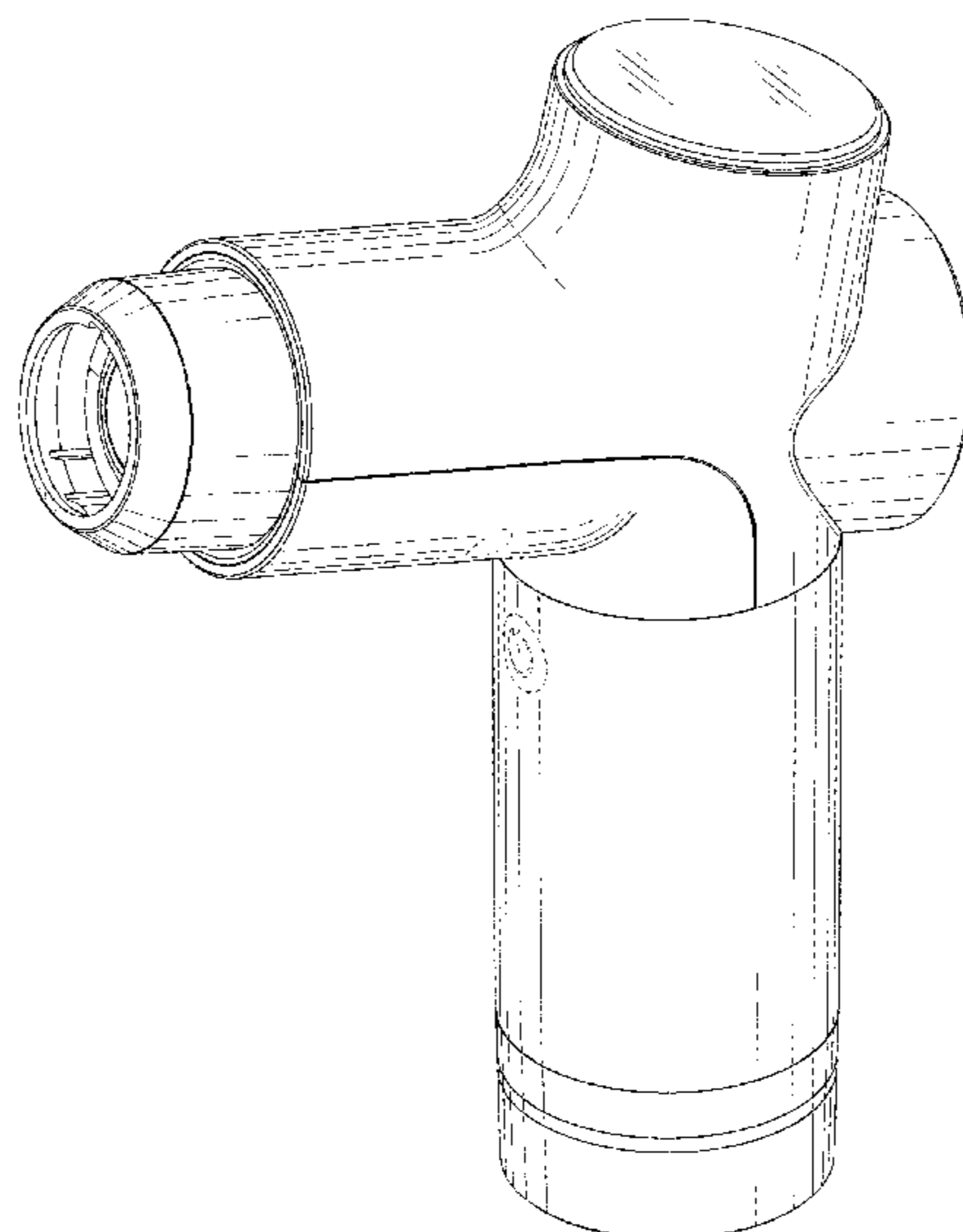
**U.S. PATENT DOCUMENTS**

D403,075 S 12/1998 Lie  
D408,543 S 4/1999 Back  
D478,385 S 8/2003 Dirks et al.  
D616,558 S 5/2010 Tsai et al.  
D847,364 S 4/2019 Lee et al.  
D855,822 S 8/2019 Marton et al.  
D863,571 S 10/2019 Yang  
D866,790 S 11/2019 Lee et al.  
D873,432 S 1/2020 Dunn  
D874,015 S 1/2020 Marton et al.  
D875,961 S 2/2020 Li  
D884,205 S 5/2020 Zhuang  
D884,207 S 5/2020 Ma  
D886,317 S 6/2020 Marton et al.

FIG. 1 is a front perspective view of a percussive massage device of the present design;  
FIG. 2 is a rear perspective view thereof;  
FIG. 3 is a left side view thereof;  
FIG. 4 is a right side view thereof;  
FIG. 5 is a front view thereof;  
FIG. 6 is a rear view thereof;  
FIG. 7 is a top view thereof; and,  
FIG. 8 is a bottom view thereof.

The broken lines shown in the drawings are for the purpose of illustrating portions of the percussive massage device, which form no part of the claimed design.

**1 Claim, 6 Drawing Sheets**



(56)

References Cited

U.S. PATENT DOCUMENTS

D895,831	S	9/2020	Chen	
D898,209	S	10/2020	Xu	
D899,620	S	10/2020	Huang	
D901,768	S	12/2020	Ceva	
D903,194	S	12/2020	Huang	
D905,863	S	12/2020	Lin	
D906,533	S	12/2020	Xu	
D907,229	S	1/2021	Zhang	
D907,230	S	1/2021	Zhang	
D908,908	S	1/2021	Xu	
D910,194	S	2/2021	Radtke	
D911,535	S	2/2021	Yu	
D912,267	S	3/2021	Tang	
D913,516	S	3/2021	Zhang	
D913,517	S	3/2021	Yu	
D916,307	S	4/2021	Xiong	
D917,060	S	4/2021	Hu	
D925,751	S	7/2021	Wu	
D925,758	S *	7/2021	Xu	D24/215
D926,333	S	7/2021	Zhang	
D926,335	S *	7/2021	Zhang	D24/215
D926,338	S	7/2021	Xu	
D935,637	S	11/2021	Li	
D939,724	S	12/2021	Hu	
D939,725	S	12/2021	Tong	
D953,556	S *	5/2022	Marton	D24/215
D953,559	S *	5/2022	He	D24/215
2010/0274162	A1	10/2010	Evans	
2020/0357046	A1	12/2020	McGann	
2021/0022951	A1	1/2021	Hu	
2021/0113427	A1	4/2021	Liu et al.	

FOREIGN PATENT DOCUMENTS

CN	3202355	9/2001
CN	3209707	11/2001
CN	3249359	7/2002
CN	3337572	11/2003
CN	3395112	9/2004
CN	3488401	11/2005
CN	302319938	S 2/2013
CN	303389916	S 9/2015
CN	303457647	S 11/2015
CN	305167898	S 5/2019
CN	305313554	S 8/2019
CN	305571224	S 1/2020
CN	305628440	S 2/2020
CN	305651652	S 3/2020
CN	305747546	S 4/2020
CN	305795992	S 5/2020
CN	305823723	S 6/2020
CN	305830703	S 6/2020
CN	305863004	S 6/2020
CN	306219678	S 12/2020
JP	1643441	10/2019
JP	1643443	10/2019
JP	1645287	11/2019
JP	1655251	3/2020
JP	1673916	11/2020
TW	202371	1/2020

OTHER PUBLICATIONS

Amazon, "Hypervolt 2 Massage Gun", Oct. 12, 202. [https://amazon.com/Hypervolt-Featuring-Technology-Percussion-Interchangeable/dp/B09JB5CZDB/ref=cm\\_cr\\_arp\\_d\\_product\\_top?ie=UTF8](https://amazon.com/Hypervolt-Featuring-Technology-Percussion-Interchangeable/dp/B09JB5CZDB/ref=cm_cr_arp_d_product_top?ie=UTF8). Shown on p. 1. (Year: 2021).

Advertisement for Impact Massage Gun by Trigger Point, [Accessed online on Mar. 10, 2020, from <https://triggerpoint.implus.com/impact>].

"Massage Gun Mini," Advertisement for Massage Guns, [Accessed online on Mar. 10, 2020, from <https://massageguns.com/products/massage-gun-mini>].

"Massage Gun for Athletes," Advertisement for Massage Gun by Eraxusa, [Accessed online on Mar. 10, 2020, from <https://www.amazon.com/Athletes-Percussion-Relaxation-Cordless-Handheld/dp/B08482751K>].

"Massage Gun Deep Tissue Percussion Muscle Relaxer for Pain Relief," Advertisement for Massage Gun by BQQCSTY, [Accessed online on Mar. 10, 2020, from <https://www.amazon.com/Massager-Percussion-Vibration-Brushless-BQQCSTY/dp/B0833PPDKJ>].

"Massage Gun Deep Tissue Percussion Muscle Relaxer for Pain Relief," Advertisement for Massage Gun by REDAPO, [Accessed online on Mar. 10, 2020, from <https://www.amazon.com/Massage-Tissue-Percussion-Muscle-Massager/dp/B083SRHSJD>].

"Massage Gun for Athletes," Advertisement for Massage Gun by Emaxusa, [Accessed online on Mar. 10, 2020, from <https://www.amazon.com/Athletes-Percussion-Relaxation-Cordless-Handheld/dp/B0849L5PVX>].

Advertisement for Massage Gun by MPT, [Accessed online on Mar. 10, 2020, from [https://www.alibaba.com/product-detail/MPT-26V-2500mAh-Portable-Handheld-Cordless\\_62173601405.html](https://www.alibaba.com/product-detail/MPT-26V-2500mAh-Portable-Handheld-Cordless_62173601405.html)].

"Electric Massage Gun Fascia Gun Percussion Therapy Relax Muscle Device 5 Speeds 3600RPM," Advertisement for Massage Gun by Massage, [Accessed online on Mar. 10, 2020, from <https://www.geekbuying.com/item/Electric-Massage-Gun-Relax-Muscle-Therapy-Device-Black-418543.html>].

Advertisement for "Muscle Blaster V2" Massage Gun by Jawku, [Accessed online on Mar. 10, 2020, from <https://iawku.com/>].

"Hot Sale! Factory Hand Held Massage Gun Relax Deep Tissue Vibration Muscle Relax Cordless Massager For Muscle," Advertisement for Massage Gun by OEM, [Accessed online on Mar. 10, 2020, from [https://www.alibaba.com/product-detail/Factory-Hand-Held-Massage-Gun-Relax\\_62095231627.html](https://www.alibaba.com/product-detail/Factory-Hand-Held-Massage-Gun-Relax_62095231627.html)].

"VIMDO 2020 New Arrival VMG03 24V Percussion Deep Tissue Cordless Fascia Muscle Vibration Massage Gun Massager," Advertisement for Massage Gun by JVIMDO, [Accessed online on Mar. 10, 2020, from [https://www.alibaba.com/product-detail/VIMDO-2020-New-Arrival-VMG03-24V\\_62057035351.html](https://www.alibaba.com/product-detail/VIMDO-2020-New-Arrival-VMG03-24V_62057035351.html)].

"Personal Massage Gun Muscle Massager Athletic Deep Tissue Massager Muscle Recovery Fascial Gun," Advertisement for Massage Gun by Hi5, [Accessed online on Mar. 10, 2020, from [https://www.alibaba.com/product-detail/Personal-Percussion-Massage-Gun-Muscle-Massager\\_1600052733752.html](https://www.alibaba.com/product-detail/Personal-Percussion-Massage-Gun-Muscle-Massager_1600052733752.html)].

"Ekrin Athletics: B37 Massage Gun". Found online by examiner of U.S. Appl. No. 29/776,753 dated Jul. 13, 2022. Reference dated Oct. 25, 2019. Retrieved from <https://www.amazon.com/Ekrin-Massage-Sore-Muscles-Recovery/dp/B07ZLN4TKX>.

"Ekrin Athletics: Bantam Mini Massage Gun". Found online by examiner of U.S. Appl. No. 29/776,753 dated Jul. 13, 2022. Reference dated Oct. 25, 2019. Retrieved from <https://www.amazon.com/Ekrin-Athletics-Bantam-Mini-Massage/dp/B08M8P7ZVD/>.

"NoCry: Professional Deep Tissue and Muscle Massage Gun". Found online by examiner of U.S. Appl. No. 29/776,753 dated Jul. 13, 2022, at Amazon.com. Reference dated Jun. 7, 2019. Retrieved from <https://www.amazon.com/dp/B07SQCMHMM/>.

"Coolbaby: Mini Fascia Gun". Found online by examiner of U.S. Appl. No. 29/776,753 dated Jul. 13, 2022. Reference dated Dec. 15, 2020. Retrieved from <https://www.amazon.com/ae/COOLBABY-frequency-vibration-electric-shoulders/dp/B08QMWBVYH/>.

\* cited by examiner

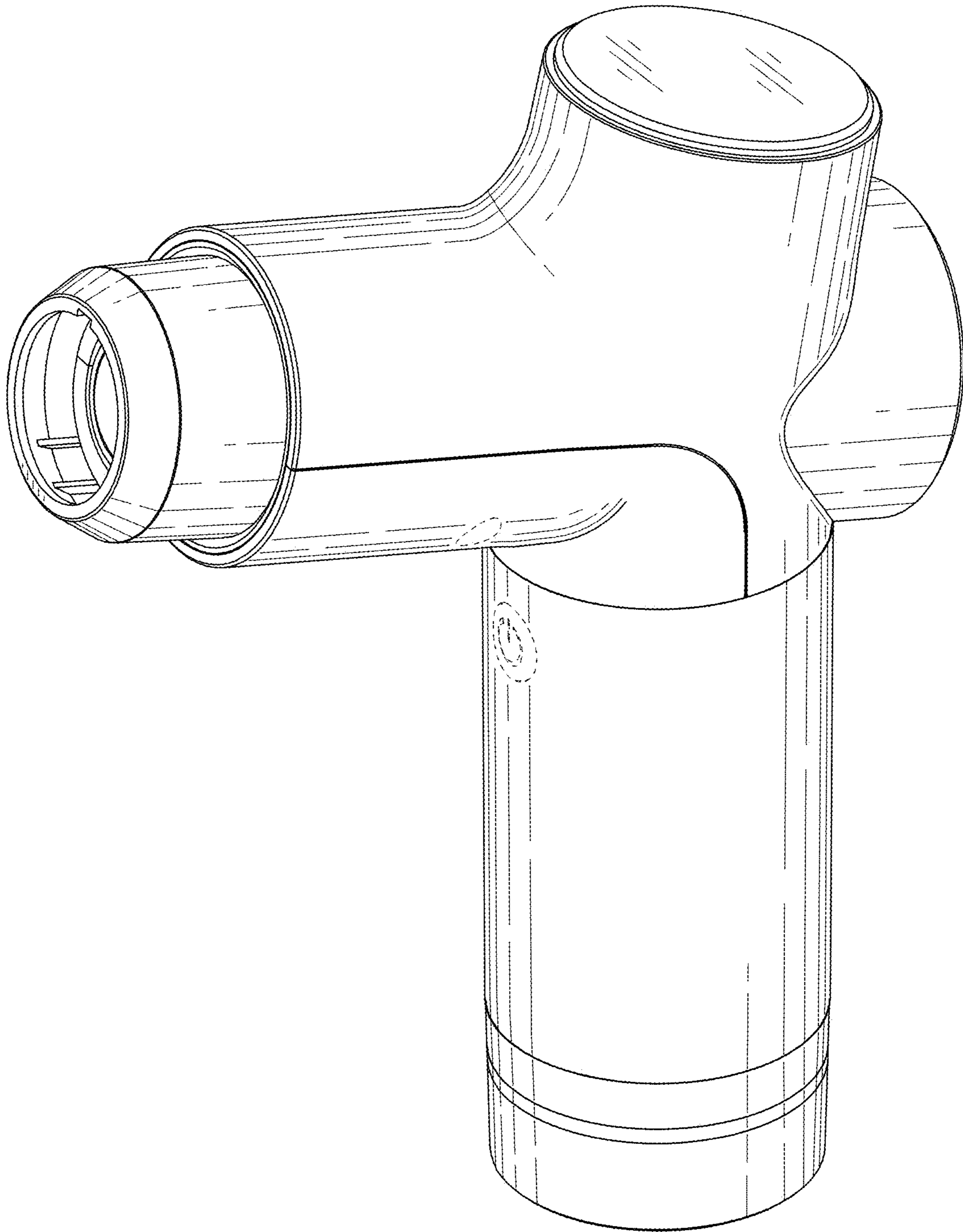


FIG. 1

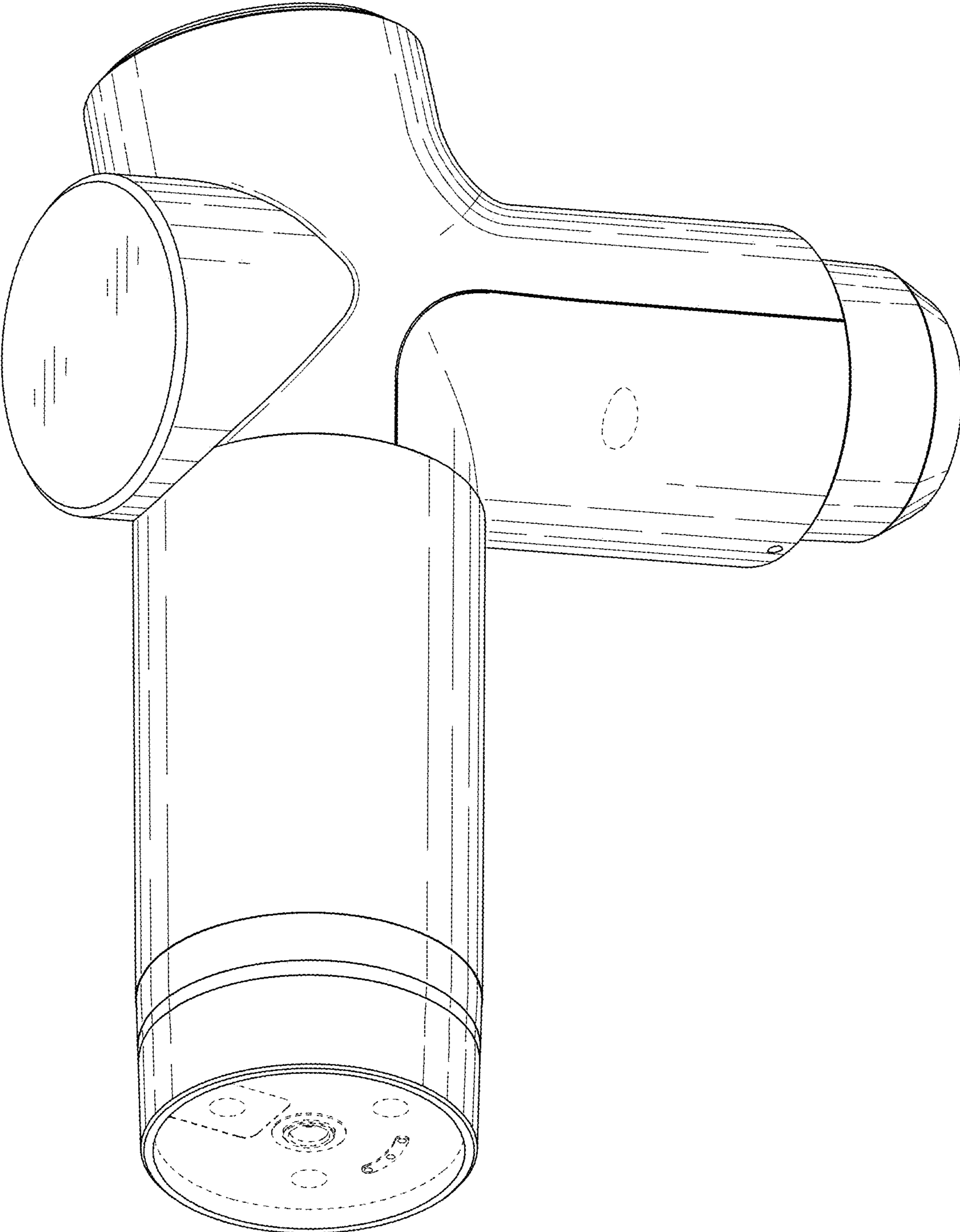
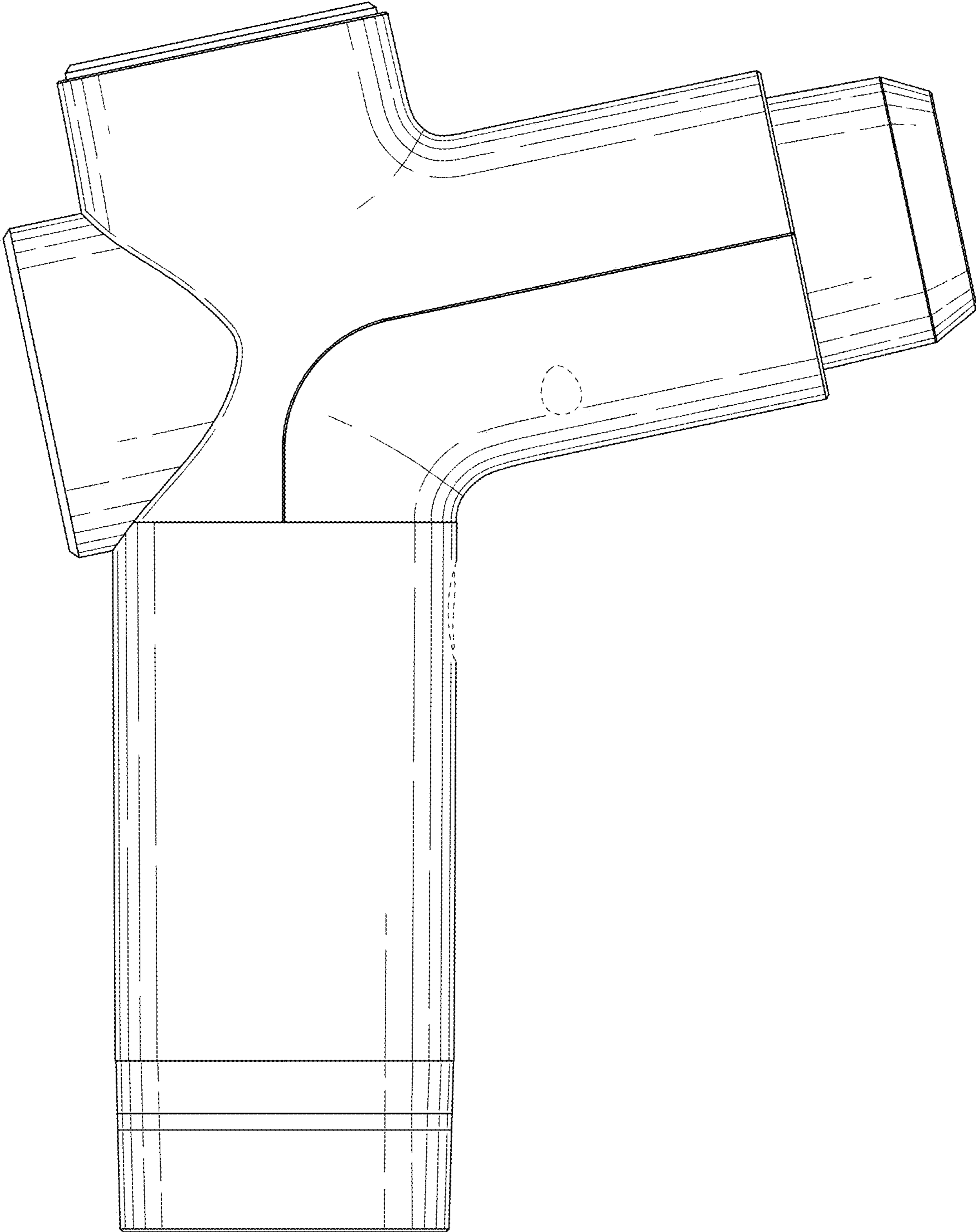


FIG. 2



**FIG. 3**

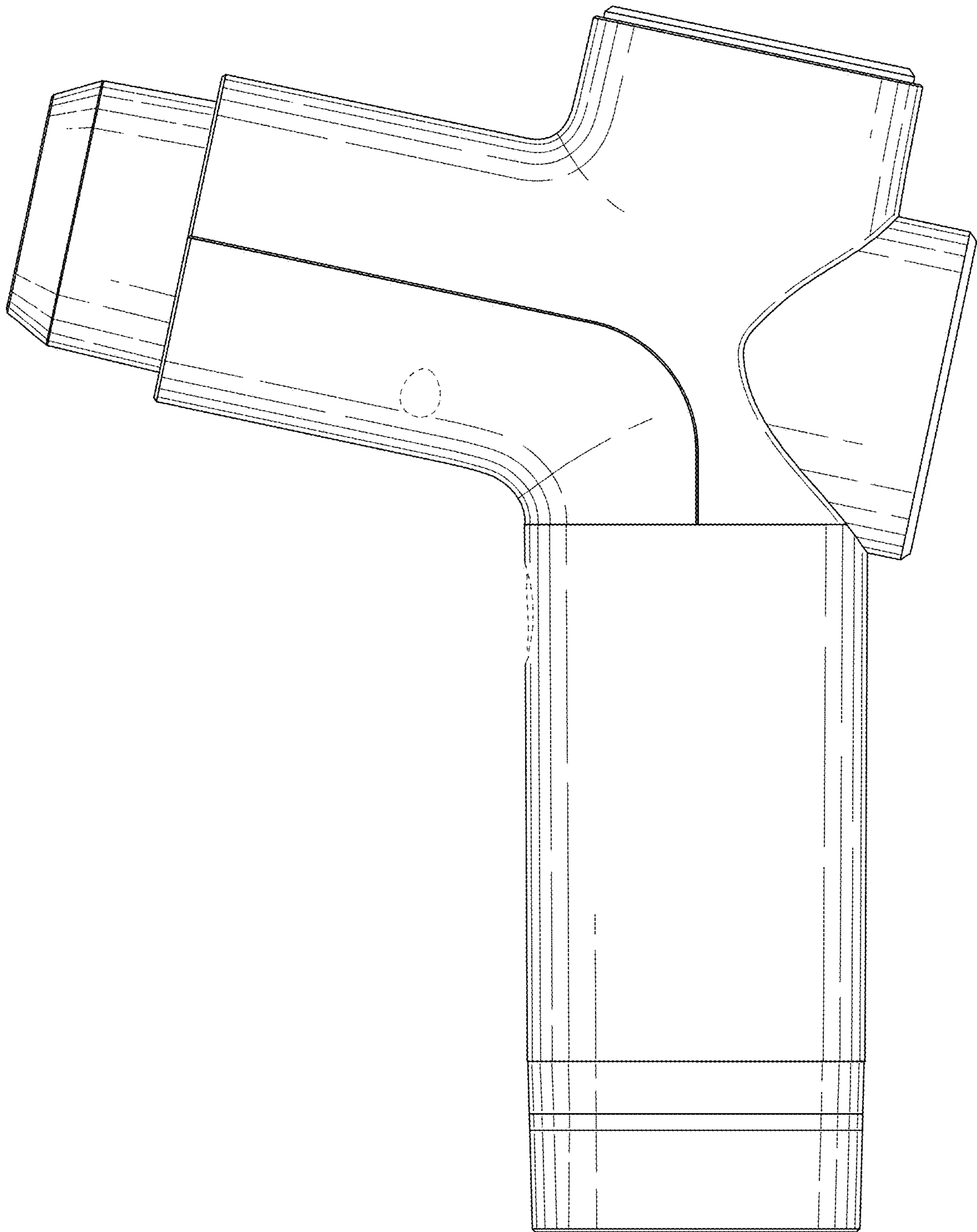


FIG. 4

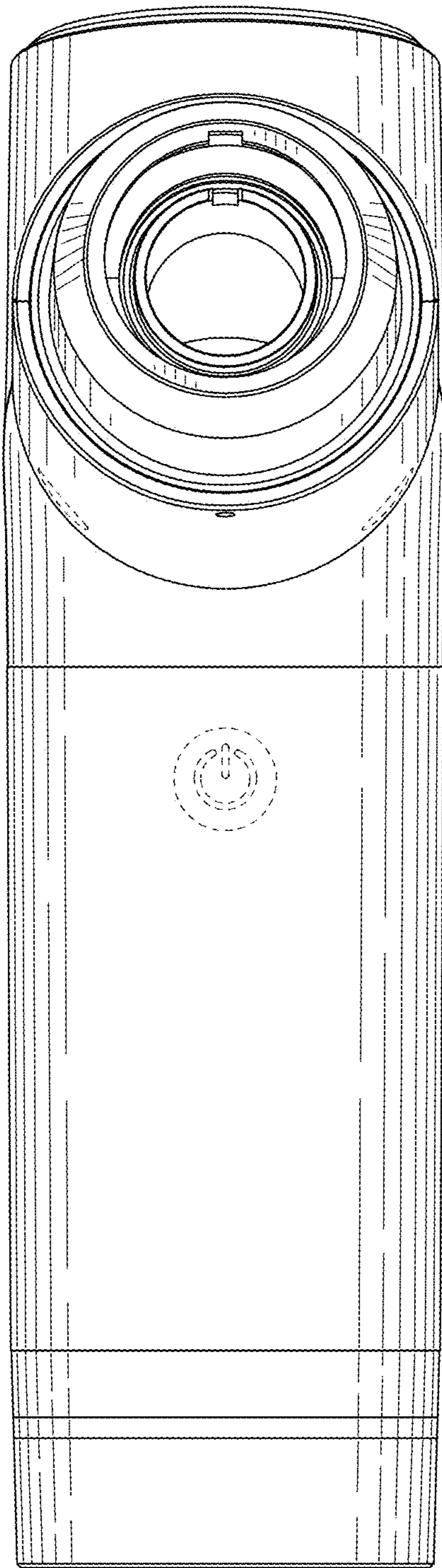


FIG. 5

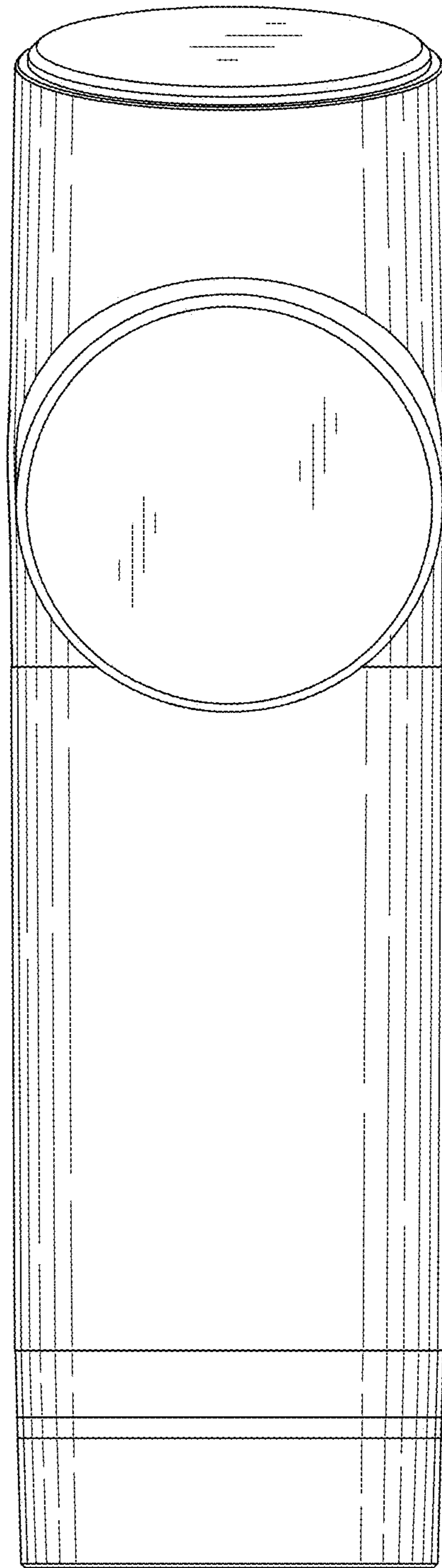


FIG. 6

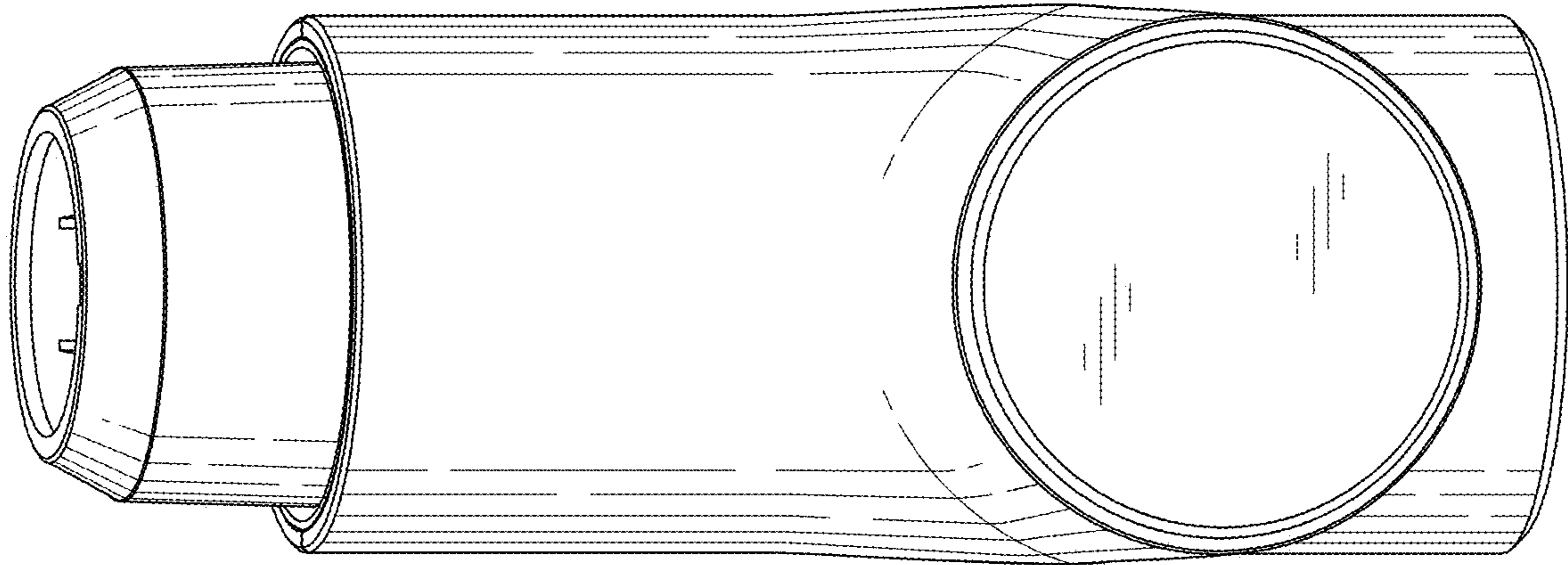


FIG. 7

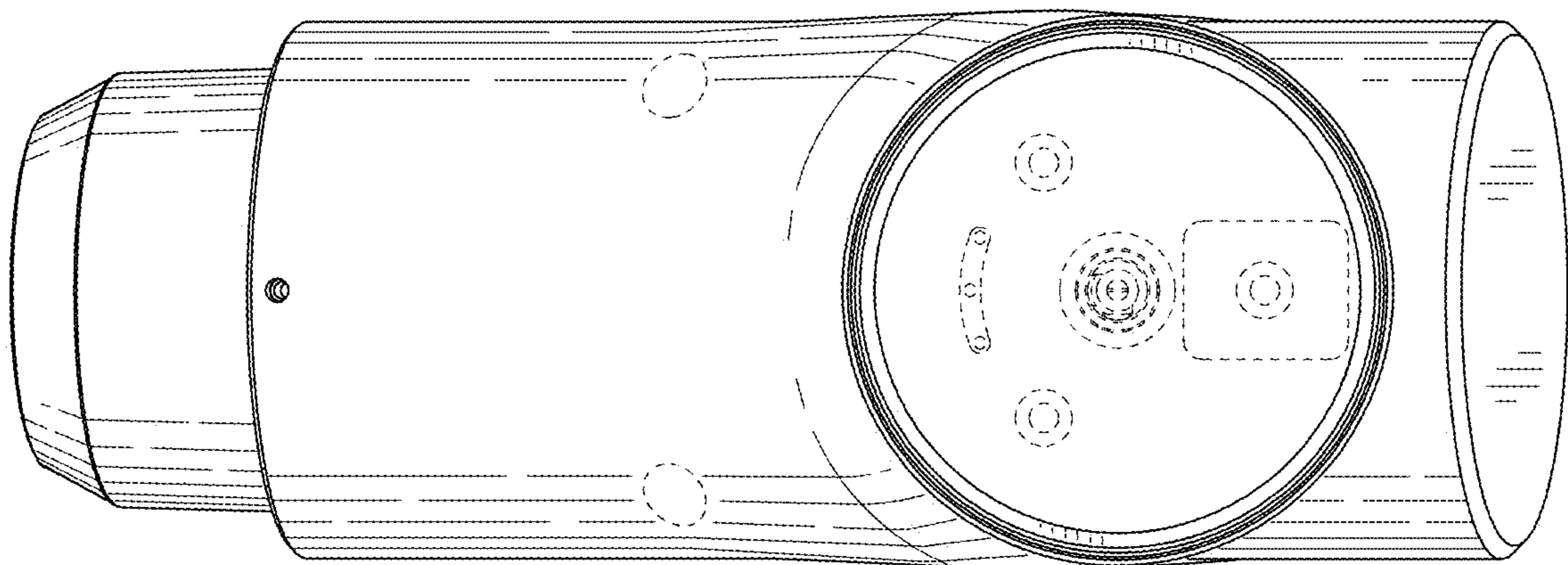


FIG. 8