



US00D976428S

(12) **United States Design Patent** (10) **Patent No.:** **US D976,428 S**
Nazarian et al. (45) **Date of Patent:** **** Jan. 24, 2023**

(54) **MESSAGE ATTACHMENT**
(71) Applicant: **FLEXIR RECOVERY, LLC**, West Hollywood, CA (US)
(72) Inventors: **Benjamin Nazarian**, Beverly Hills, CA (US); **Jason Wersland**, Los Angeles, CA (US); **Eduardo Merino**, Los Angeles, CA (US); **Jaime Sanchez Solana**, Los Angeles, CA (US); **Tim Roberts**, Los Angeles, CA (US)
(73) Assignee: **FLEXIR RECOVERY, LLC**, West Hollywood, CA (US)
(**) Term: **15 Years**
(21) Appl. No.: **29/766,877**
(22) Filed: **Jan. 19, 2021**
(51) **LOC (14) Cl.** **28-03**
(52) **U.S. Cl.**
USPC **D24/215**
(58) **Field of Classification Search**
USPC D24/200, 211, 212, 213, 214, 215;
D8/300; D9/434, 443; D26/113, 154;
D11/181
CPC A61H 2015/0014; A61H 2015/0042; A61H
33/6089; A61H 7/007
See application file for complete search history.

D883,074 S * 5/2020 Roe D8/378
D890,943 S * 7/2020 Wersland D24/211
D910,870 S * 2/2021 Marton D24/215
D928,334 S * 8/2021 Chou D24/215
D931,492 S * 9/2021 Li D24/215
D949,366 S * 4/2022 Li D24/211
D949,418 S * 4/2022 Khubani D24/215
D952,878 S * 5/2022 Lin D24/211

OTHER PUBLICATIONS

Bestbuy, "Flexir Recovery Muscle Massager", Access date Jul. 5, 2022. <https://www.bestbuy.com/site/flexir-recovery-muscle-massager-black/6469987.p?skuld=6469987>. (Year: 2022).*

* cited by examiner

Primary Examiner — Michael A Maharajh

(74) *Attorney, Agent, or Firm* — Sterne, Kessler, Goldstein & Fox P.L.L.C.

(57) **CLAIM**

The ornamental design for a massage attachment, as shown and described.

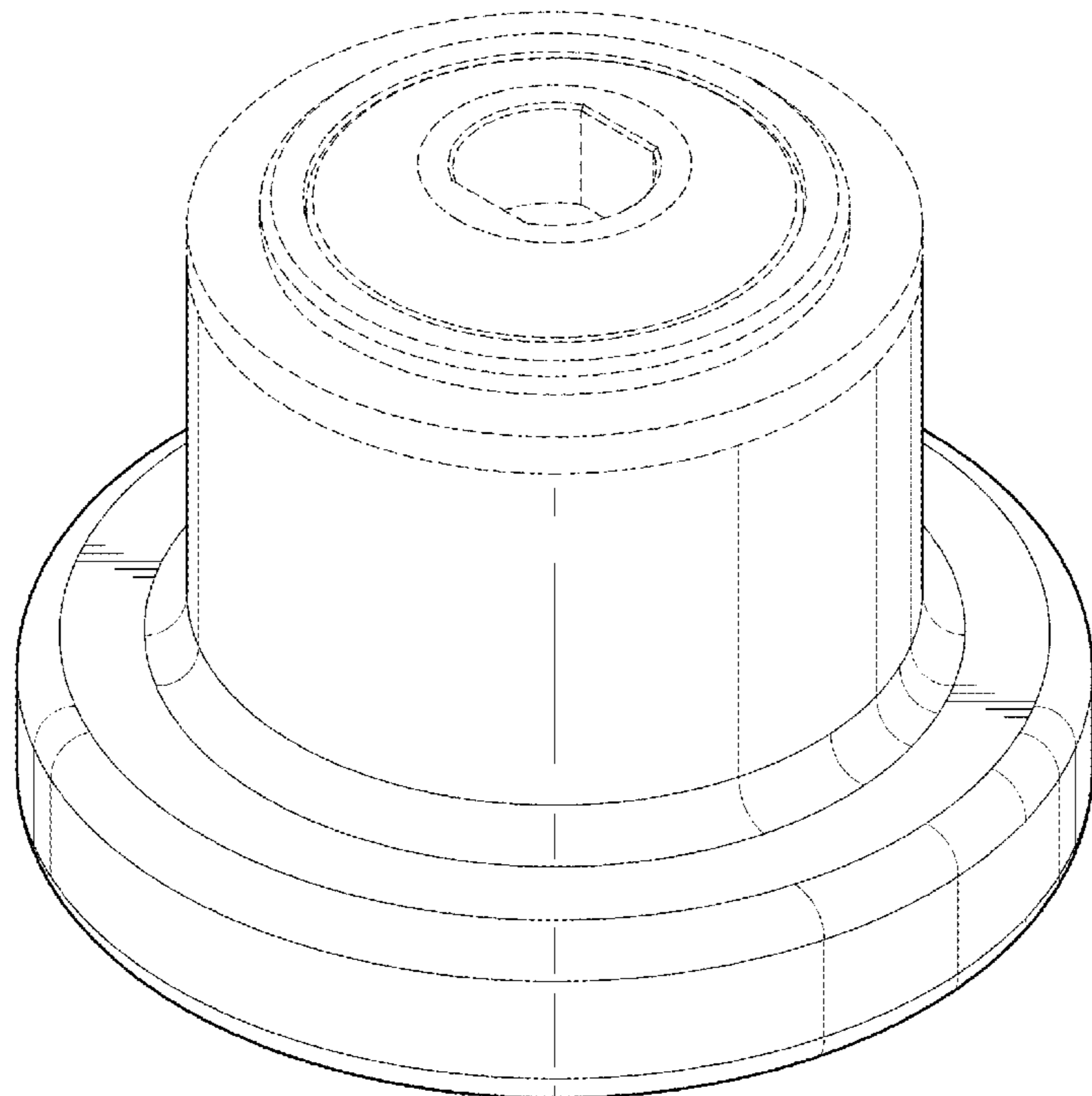
DESCRIPTION

FIG. 1 is a perspective view of a massage attachment showing the claimed design;
FIG. 2 is a front elevational view thereof;
FIG. 3 is a rear elevational view thereof;
FIG. 4 is a right side elevational view thereof;
FIG. 5 is a left side elevational view thereof;
FIG. 6 is a top plan view thereof; and,
FIG. 7 is a bottom plan view thereof.
The broken lines in the figures show portions of the massage attachment that form no part of the claimed design.

(56) **References Cited**
U.S. PATENT DOCUMENTS

D772,037 S * 11/2016 Zimmer D8/310
D772,688 S * 11/2016 Zimmer D8/310

1 Claim, 4 Drawing Sheets



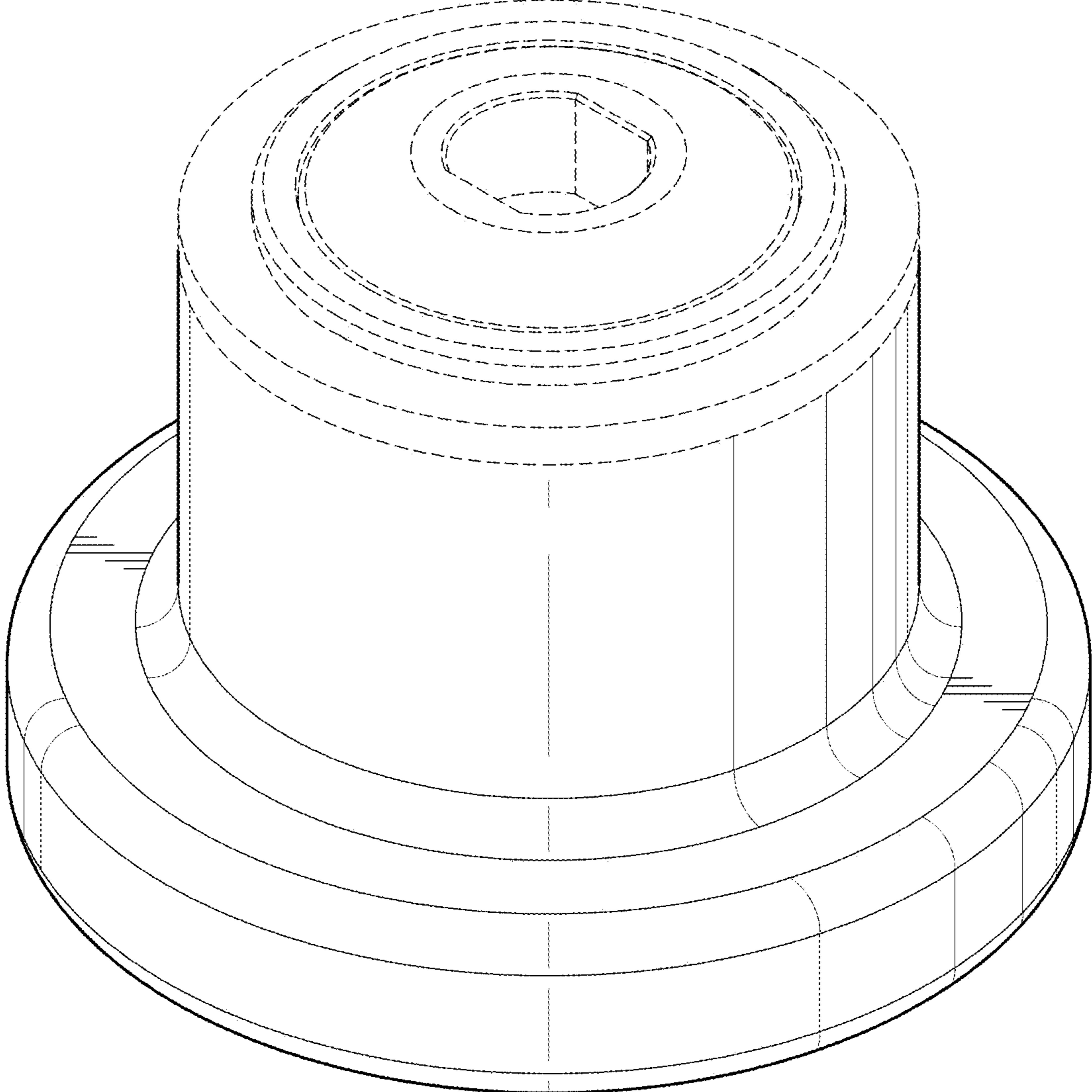


FIG. 1

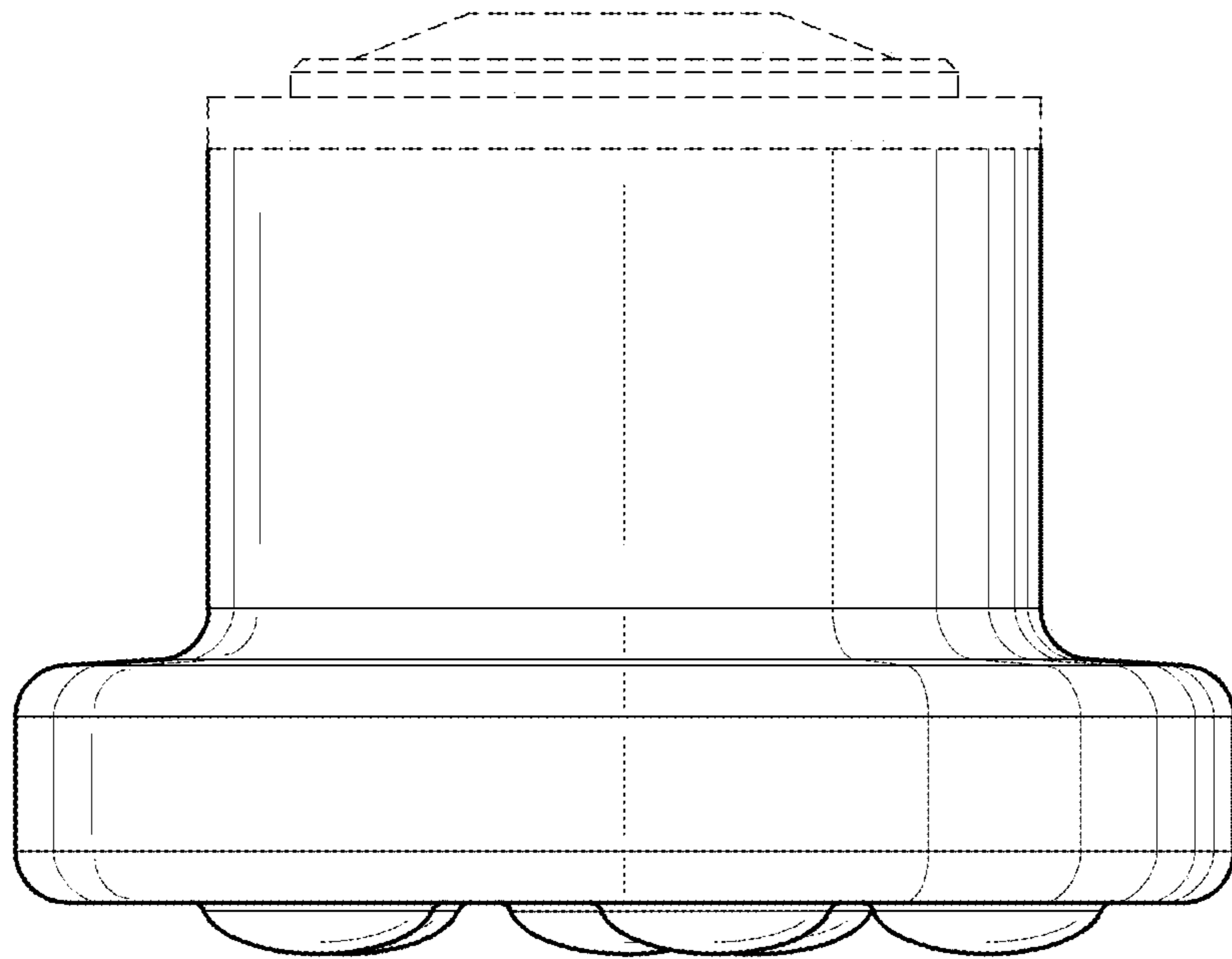


FIG. 2

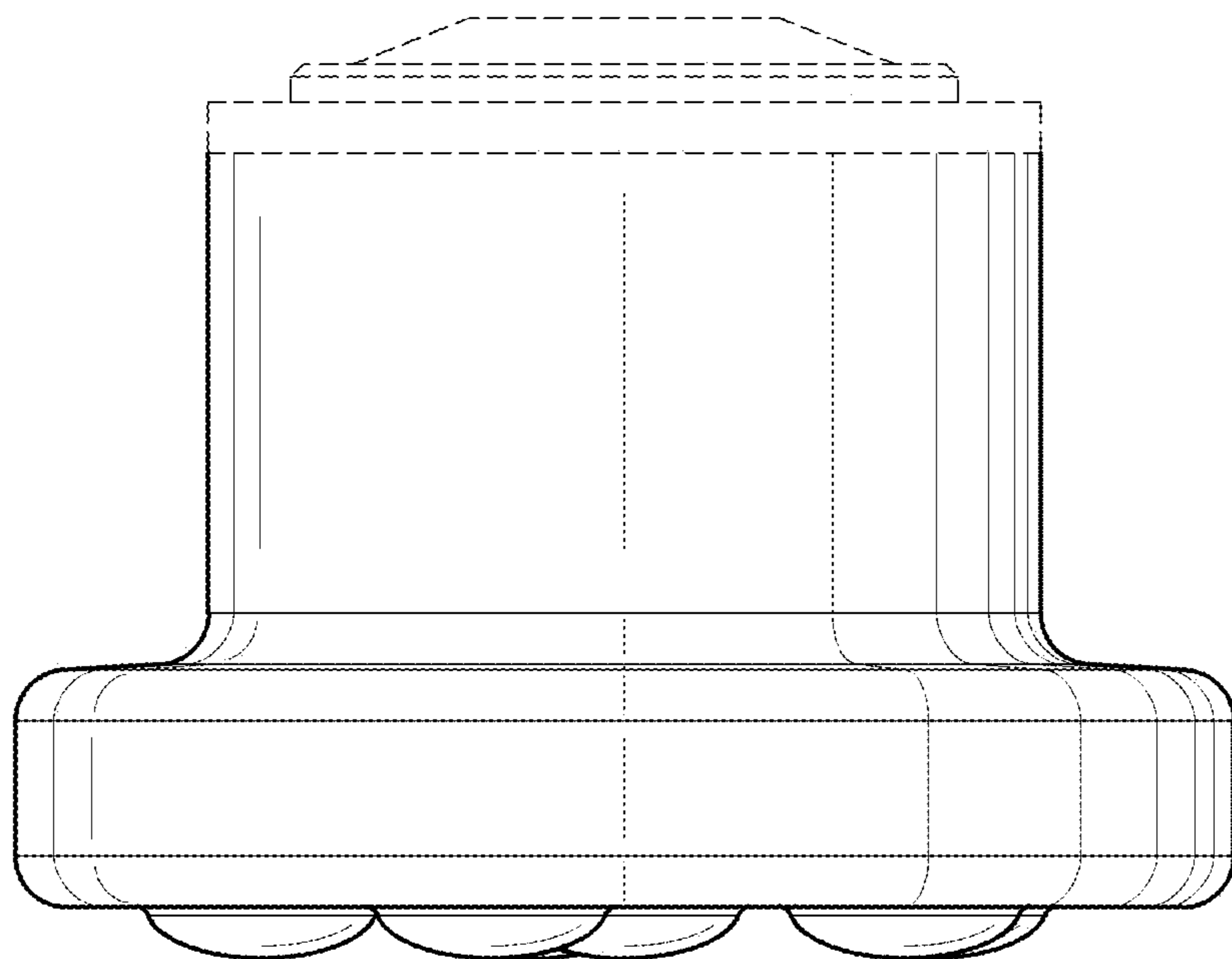


FIG. 3

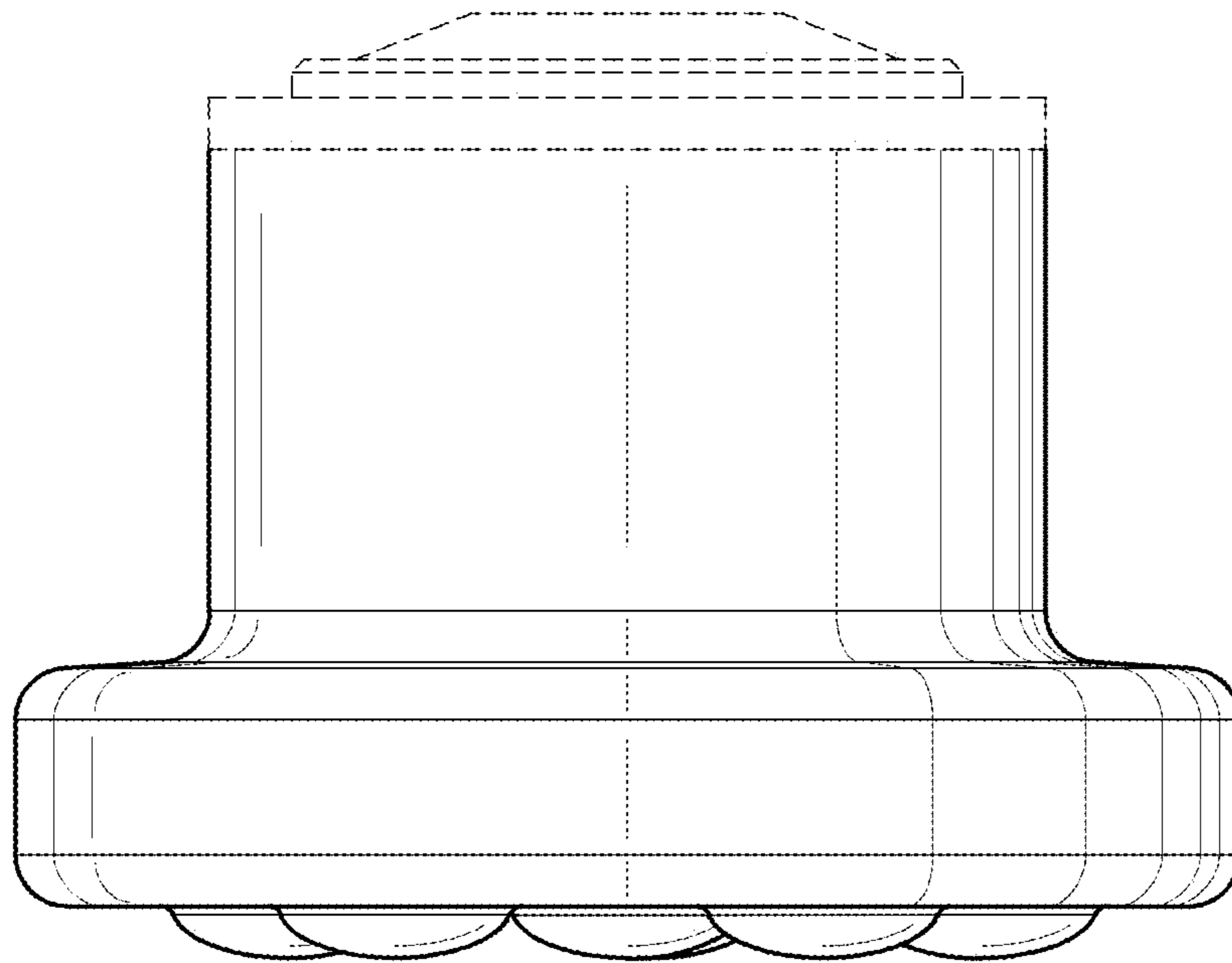


FIG. 4

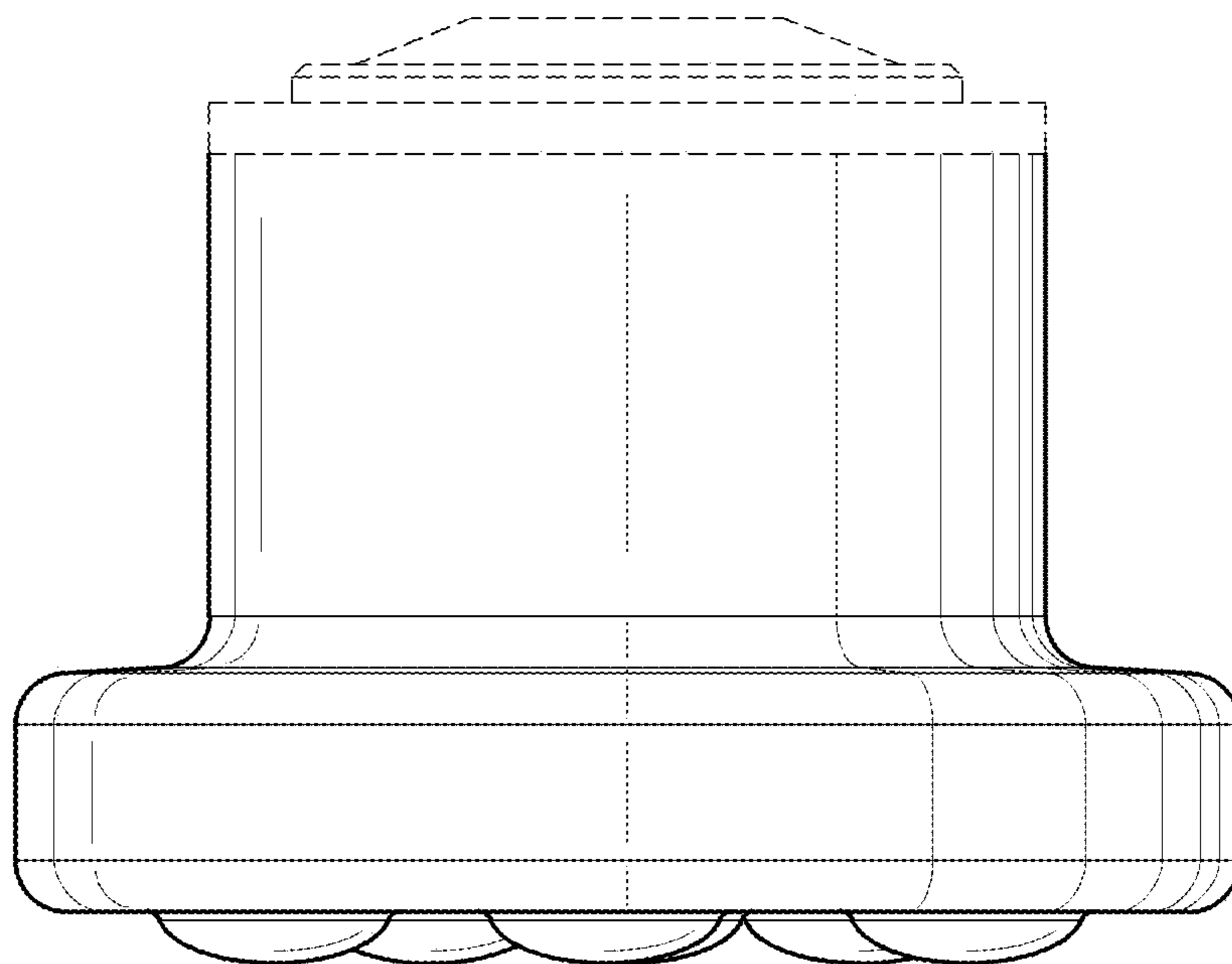


FIG. 5

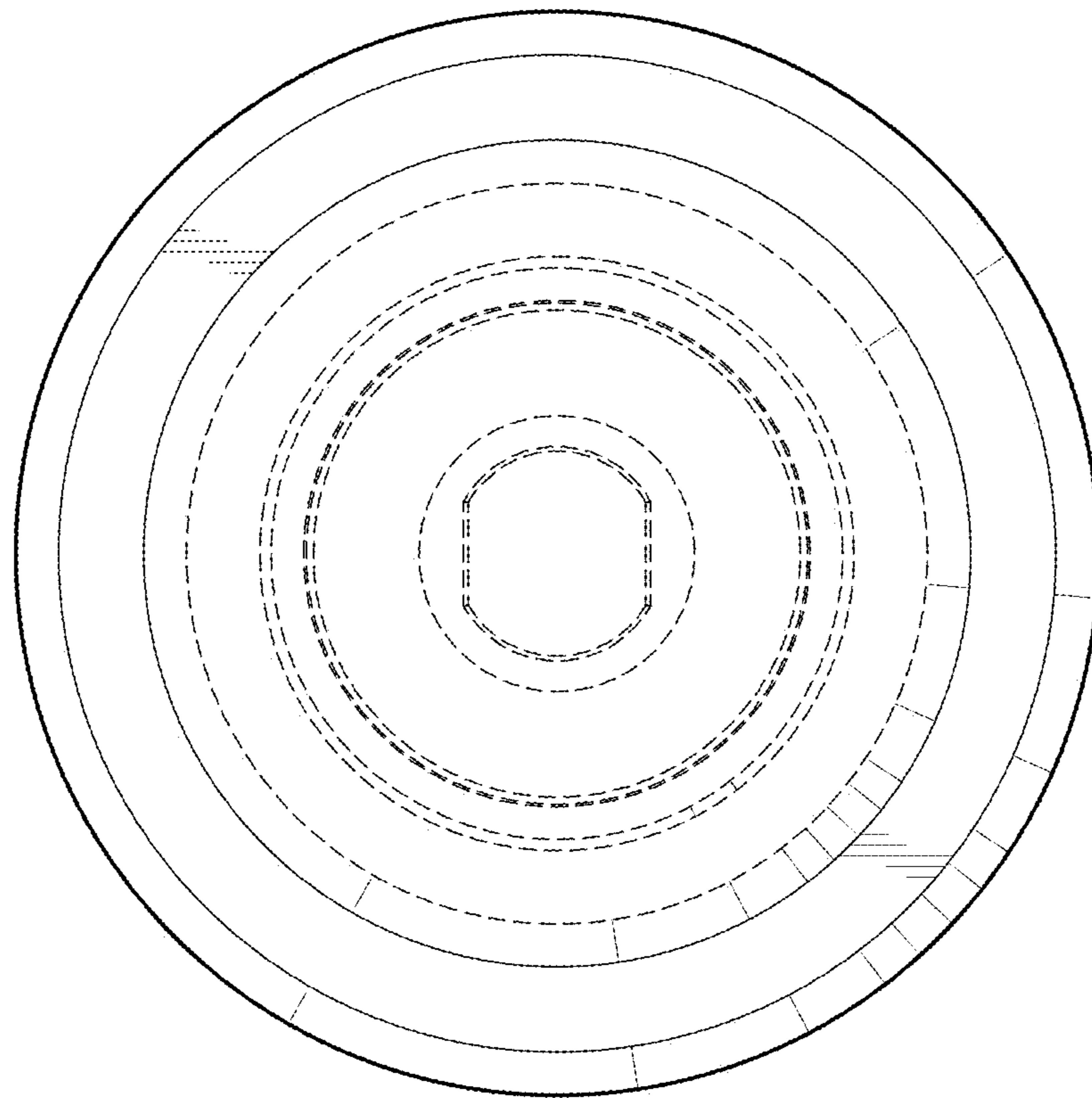


FIG. 6

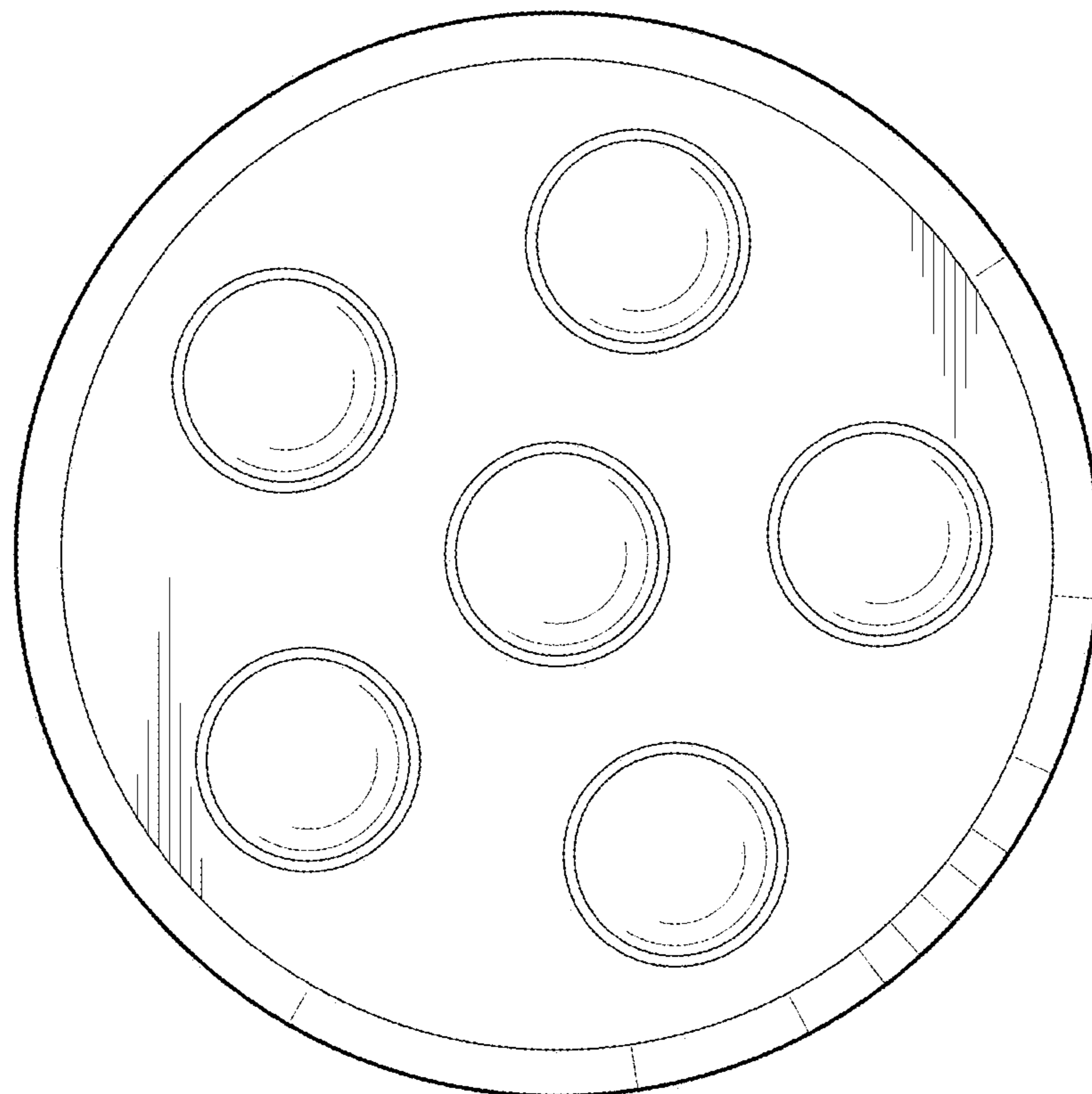


FIG. 7