



US00D976424S

(12) **United States Design Patent** (10) **Patent No.:** **US D976,424 S**
Wainstein et al. (45) **Date of Patent:** **** Jan. 24, 2023**

(54) **ELECTRICAL UNIT FOR BREAST PUMP FOR NURSING MOTHERS**
(71) Applicant: **Annabella Tech Ltd.**, Kfar Saba (IL)
(72) Inventors: **Andres Wainstein**, Ramat Gan (IL); **Gustavo Turkieltaub**, Tel Aviv (IL)
(73) Assignee: **Annabella Tech Ltd.**, Kfar Saba (IL)
(**) Term: **15 Years**

D583,985 S * 12/2008 Warden D24/109
D609,331 S * 2/2010 Paterson D24/109
D681,802 S * 5/2013 Marks D24/109
D683,442 S * 5/2013 Cudworth D24/109
D687,074 S * 7/2013 Barack D15/7
D695,885 S * 12/2013 Thomas D24/109
D744,086 S * 11/2015 Yamashita D24/109
D809,646 S * 2/2018 Mason D24/109
D870,777 S * 12/2019 Pukall D24/109
D929,564 S * 8/2021 Lee D24/109
D939,688 S * 12/2021 He D24/109
D965,136 S * 9/2022 Feng D24/109
2015/0290795 A1 * 10/2015 Oleynik B25J 9/0081
700/257

(21) Appl. No.: **35/514,023**

(22) Filed: **Oct. 14, 2021**

(80) **Hague Agreement Data**

Int. Filing Date: **Oct. 14, 2021**
Int. Reg. No.: **DM/218945**
Int. Reg. Date: **Oct. 14, 2021**
Int. Reg. Pub. Date: **Apr. 15, 2022**

(51) **LOC (14) Cl.** **24-02**

(52) **U.S. Cl.**
USPC **D24/209**

(58) **Field of Classification Search**
USPC D24/109; D17/7
CPC A61M 1/066; A61M 1/0697; A61M 1/06;
A61M 1/81
See application file for complete search history.

(56) **References Cited**

U.S. PATENT DOCUMENTS

D420,443 S * 2/2000 Morifuji D24/109
D446,852 S * 8/2001 Johansen D24/109
D484,236 S * 12/2003 Renz D24/109
D485,614 S * 1/2004 Renz D24/109
D486,223 S * 2/2004 Robson D24/109
D540,939 S * 4/2007 Pukall D24/109
7,267,662 B1 * 9/2007 Kirchner A61M 1/81
604/74
D576,268 S * 9/2008 Solberg D24/109

OTHER PUBLICATIONS

“More Milk . . . ” reference found on Sep. 29, 2022 on the internet at: <https://annabella-pump.myshopify.com/>.*

* cited by examiner

Primary Examiner — Rhea Shields
(74) *Attorney, Agent, or Firm* — Dekel Patent Ltd.; David Klein

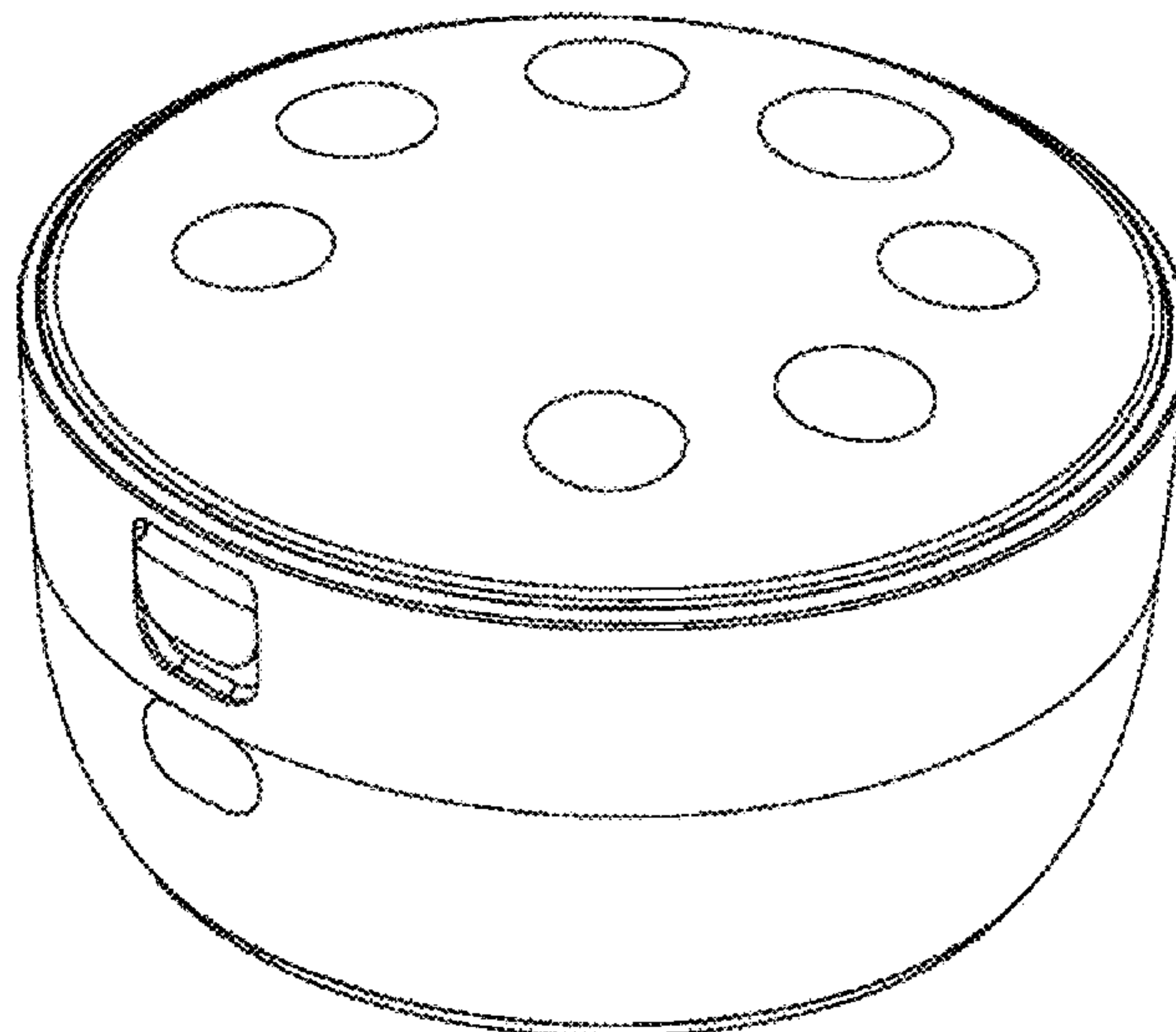
(57) **CLAIM**

The ornamental design for an electrical unit for breast pump for nursing mothers, as shown and described.

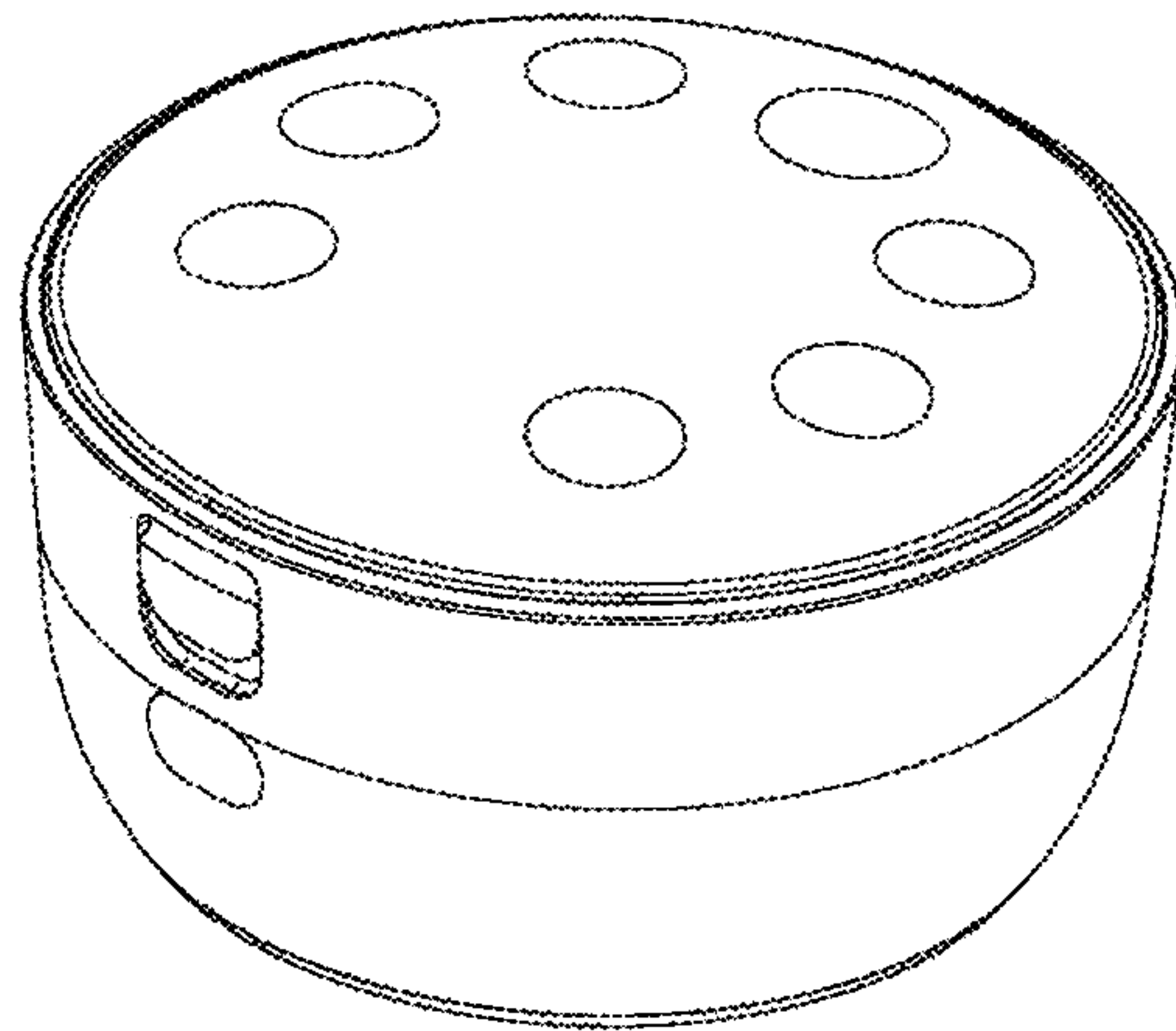
DESCRIPTION

- 1. Electrical unit for breast pump for nursing mothers
- 1.1 is a perspective view;
- 1.2 is a front view;
- 1.3 is a side view;
- 1.4 is a rear view;
- 1.5 is a side view;
- 1.6 is a top view and
- 1.7 is a bottom view.

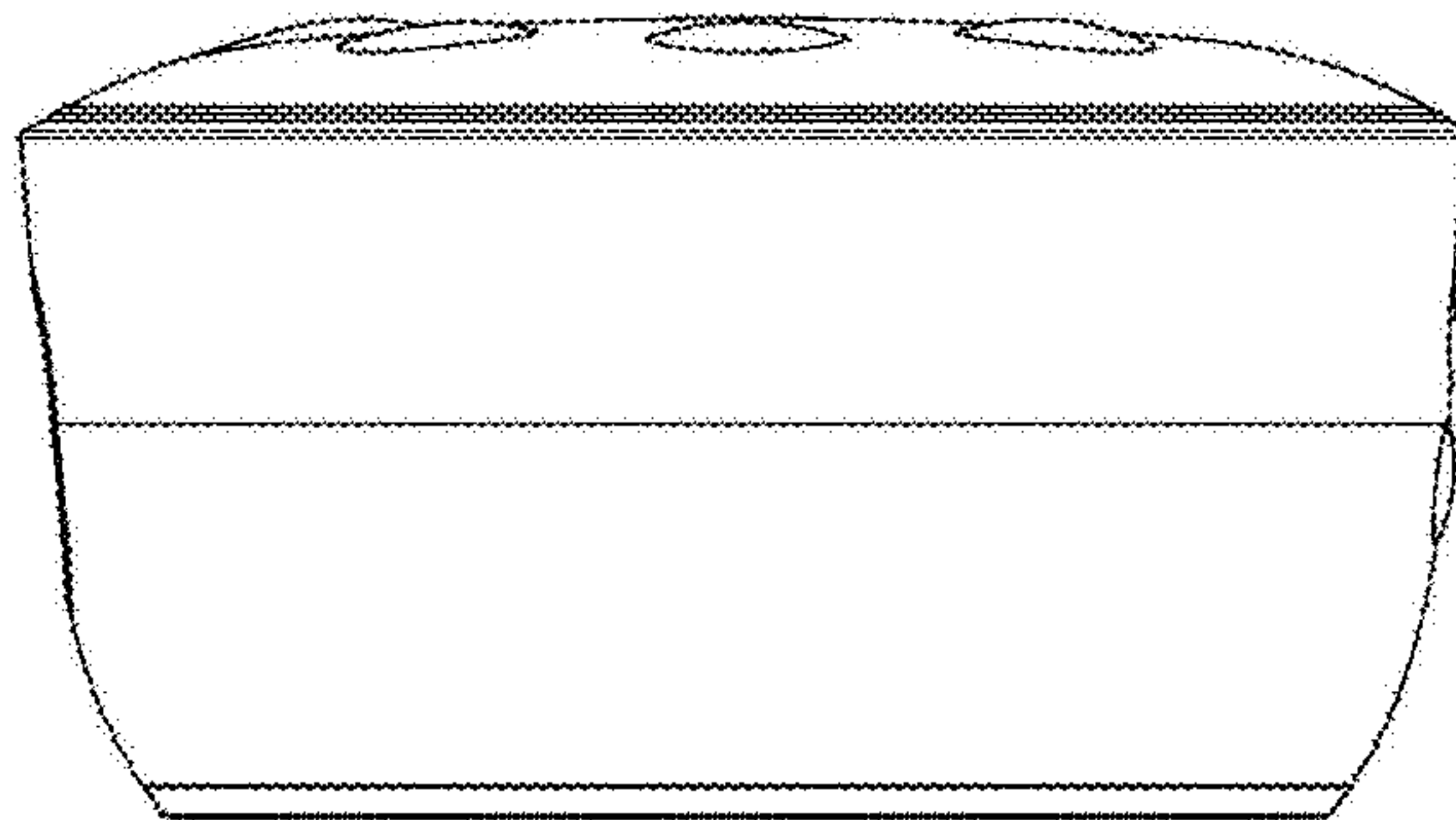
1 Claim, 7 Drawing Sheets



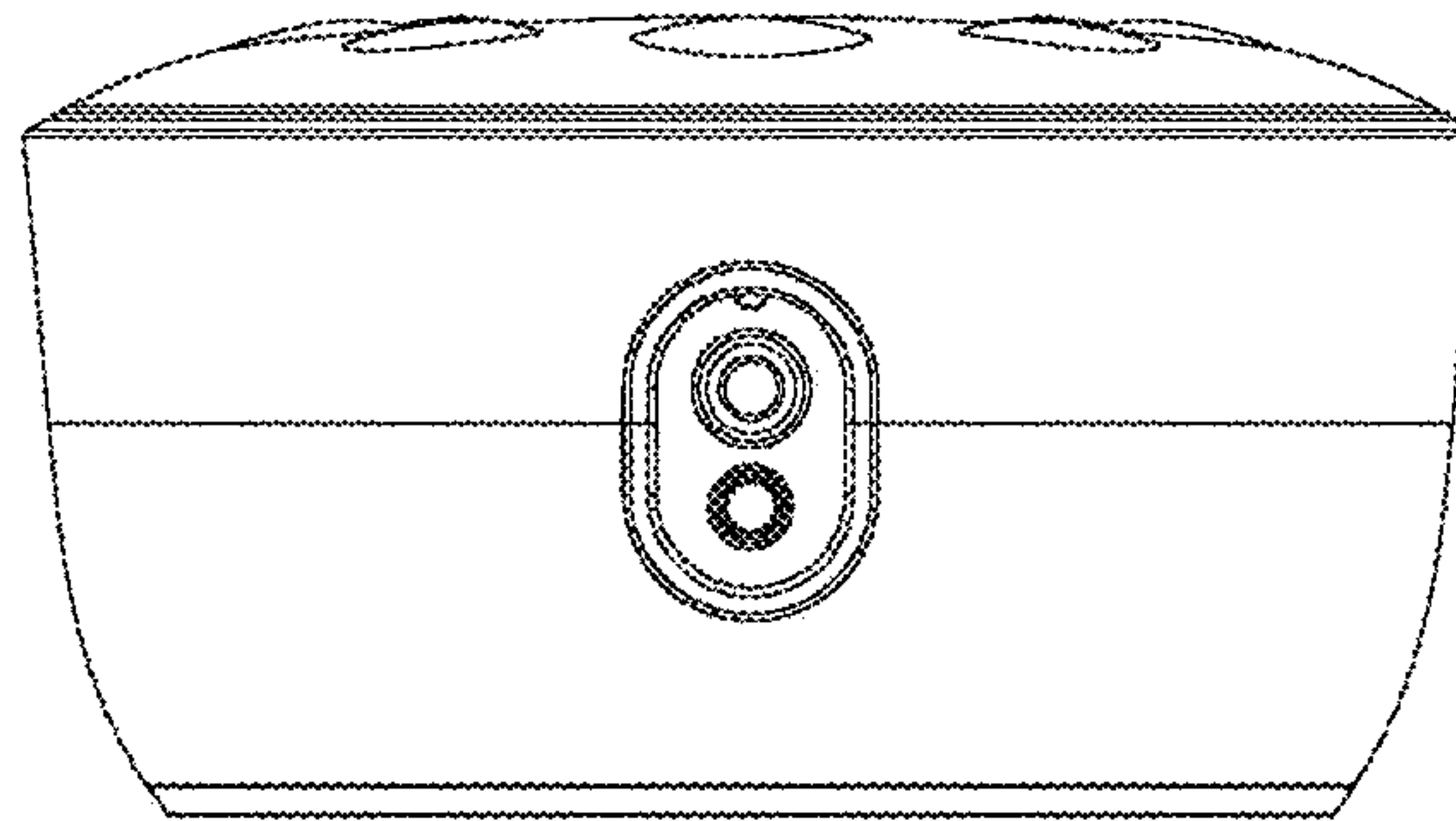
1.1



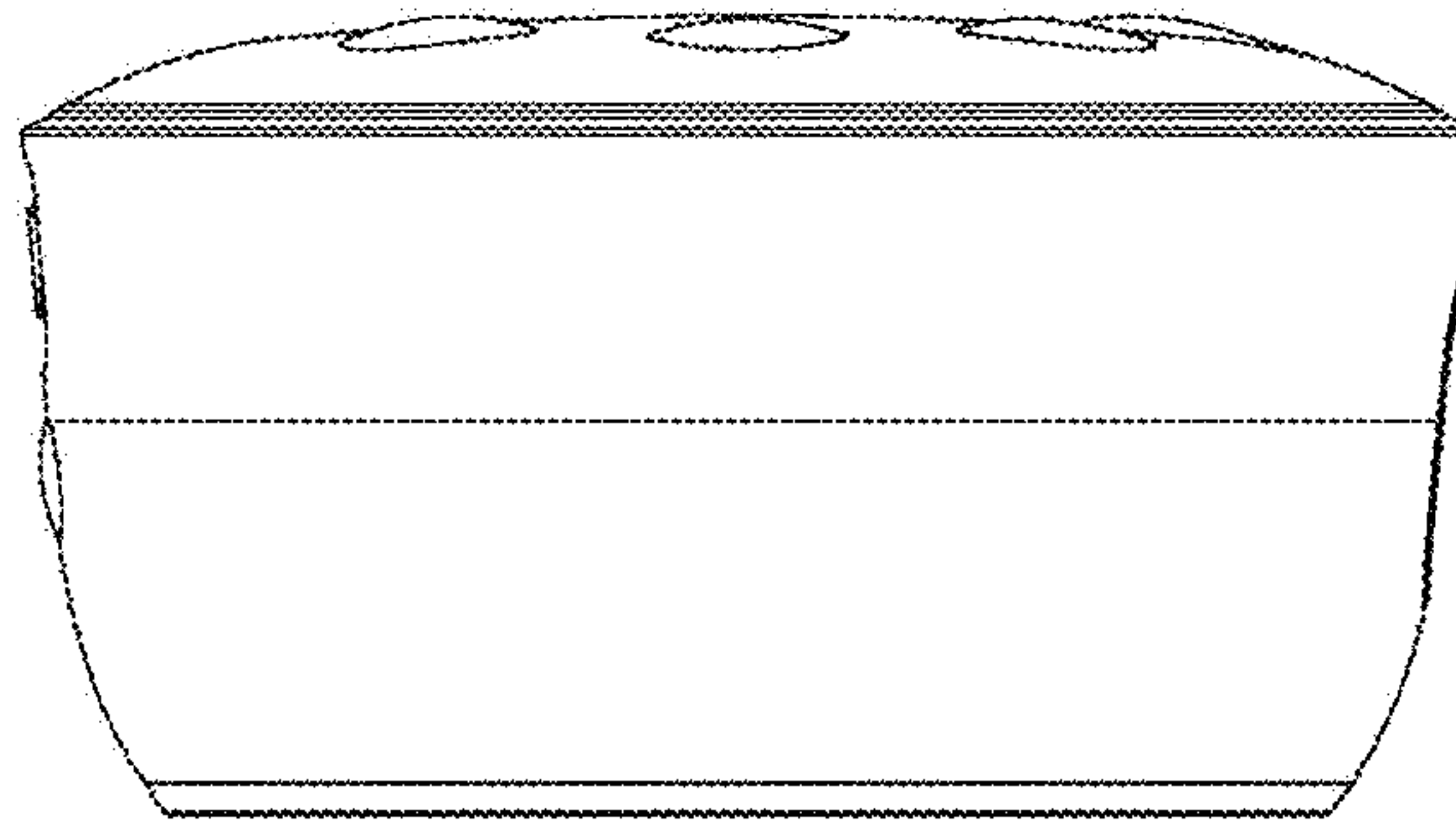
1.2



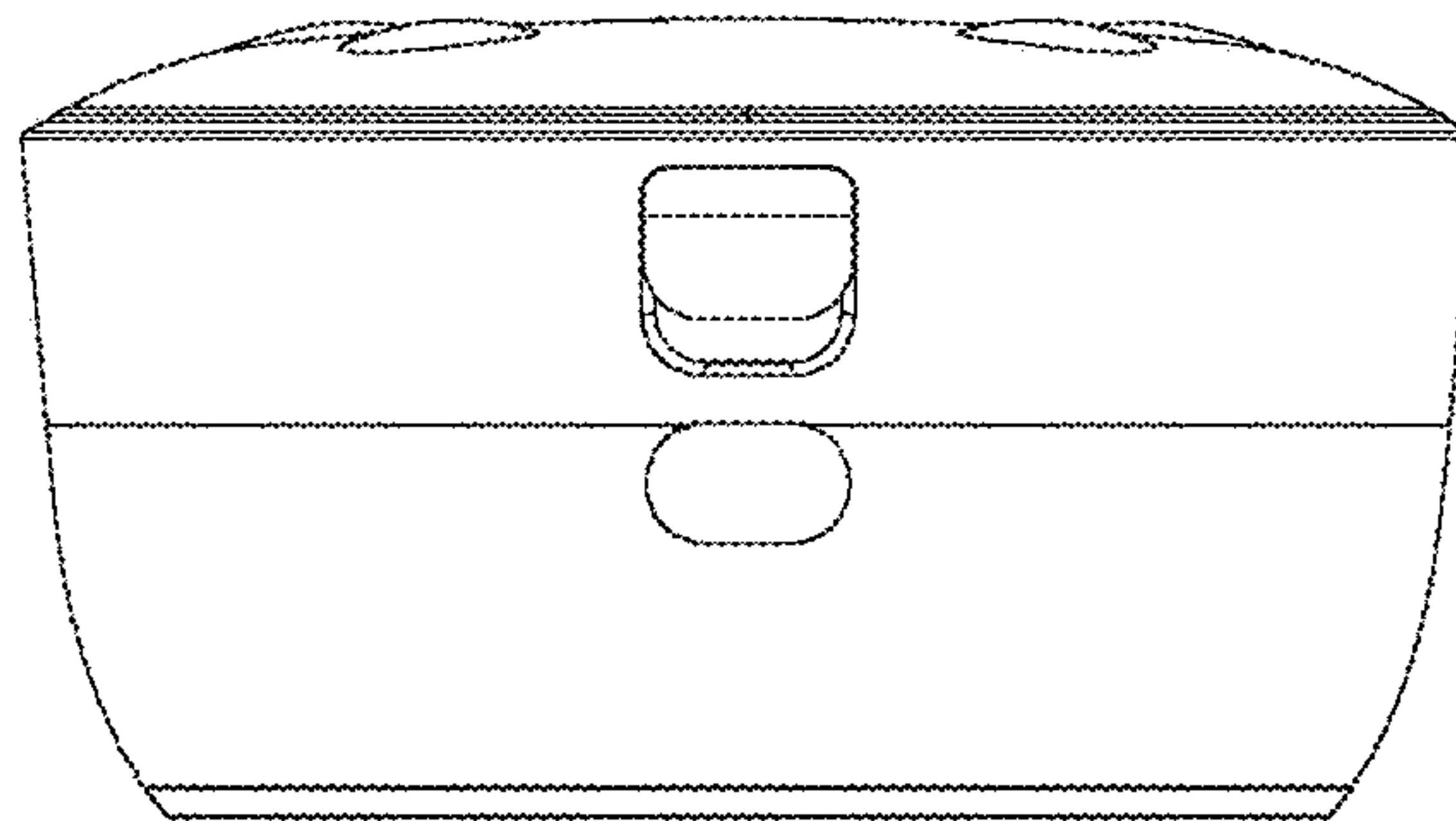
1.3



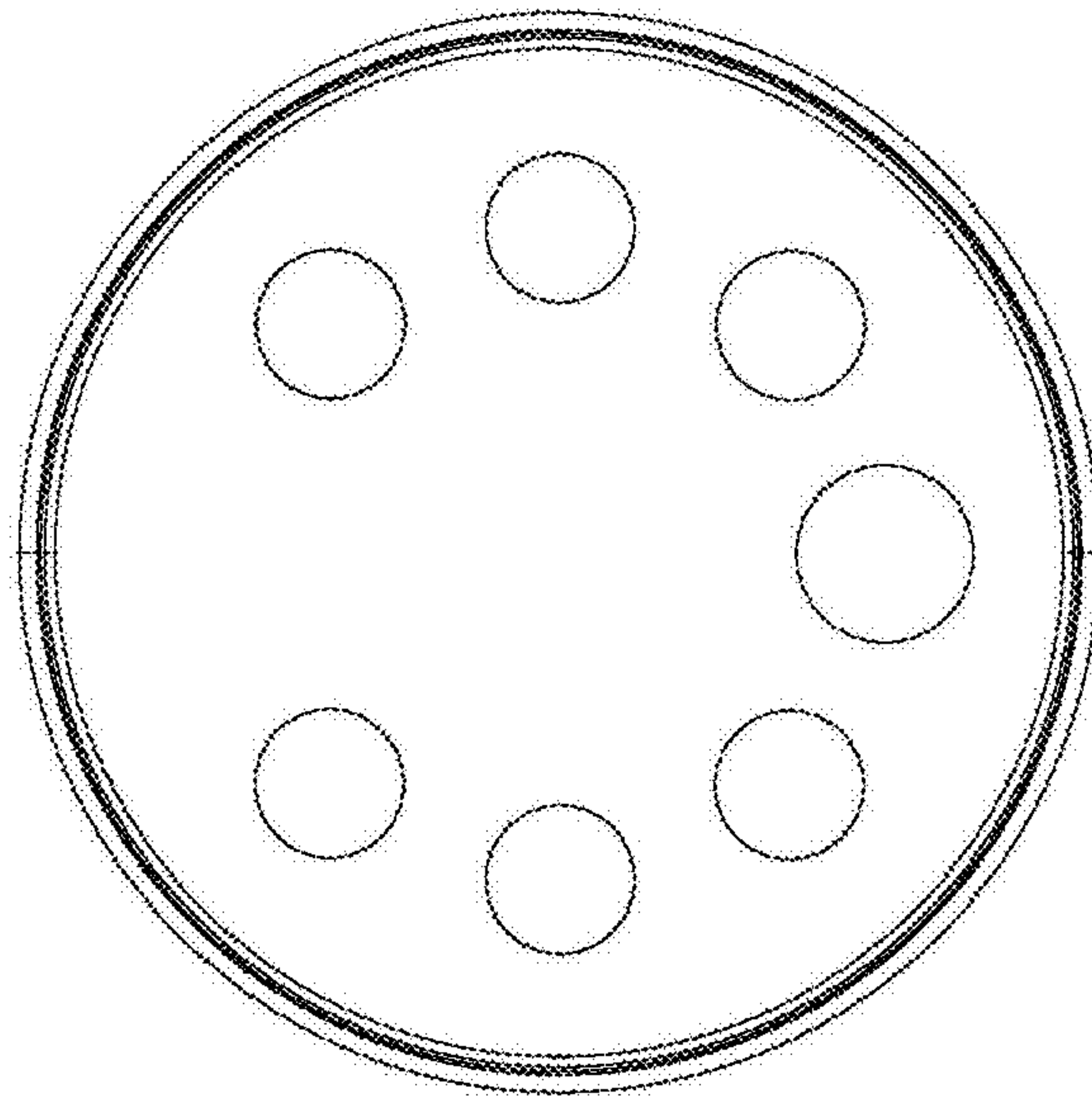
1.4



1.5



1.6



1.7

