



US00D976423S

(12) **United States Design Patent**
Wainstein et al.

(10) **Patent No.: US D976,423 S**
(45) **Date of Patent: ** Jan. 24, 2023**

(54) **BREAST PUMP FOR NURSING MOTHERS**

(71) Applicant: **Annabella Tech Ltd.**, Kfar Saba (IL)

(72) Inventors: **Andres Wainstein**, Ramat Gan (IL);
Gustavo Turkieltaub, Tel Aviv (IL)

(73) Assignee: **Annabella Tech Ltd.**, Kfar Saba (IL)

(**) Term: **15 Years**

(21) Appl. No.: **35/514,017**

(22) Filed: **Oct. 14, 2021**

(80) **Hague Agreement Data**

Int. Filing Date: **Oct. 14, 2021**

Int. Reg. No.: **DM/217332**

Int. Reg. Date: **Oct. 14, 2021**

Int. Reg. Pub. Date: **Apr. 15, 2022**

(51) **LOC (14) Cl.** **24-02**

(52) **U.S. Cl.**

USPC **D24/209**

(58) **Field of Classification Search**

USPC D24/109; D3/203.1; D7/533

CPC A61M 1/066; A61M 1/0697; A61M 1/06;

A61M 1/81

See application file for complete search history.

(56) **References Cited**

U.S. PATENT DOCUMENTS

D307,478 S * 4/1990 Morifuji D24/109

D309,500 S * 7/1990 Yuan D24/109

5,007,899 A * 4/1991 Larsson A61M 1/06
604/74

D326,516 S * 5/1992 Chambers D24/109

D372,777 S * 8/1996 Kan D24/109

D408,528 S * 4/1999 Kan D24/109

6,110,140 A * 8/2000 Silver A61M 1/06
604/74

D485,614 S * 1/2004 Renz D24/109

6,673,037 B1 * 1/2004 Silver A61M 1/066
604/74

7,267,662 B1 * 9/2007 Kirchner A61M 1/81
604/74

D609,330 S * 2/2010 Paterson D24/109

D609,331 S * 2/2010 Paterson D24/109

7,666,162 B2 * 2/2010 Renz A61M 1/81
604/74

7,776,008 B2 * 8/2010 Renz A61M 1/066
604/74

7,806,855 B2 * 10/2010 Kliegman A61M 1/0697
604/74

D628,287 S * 11/2010 Tashiro 606/74

(Continued)

OTHER PUBLICATIONS

“Annabella Breast Pump . . . ” reference dated Sep. 28, 2019 on the internet at: https://m.facebook.com/story.php?story_fbid=pfbid0V9pjjvjxXZSp1JtMc5C5xFCqaCA2XewDXJMvtxbzuWGfDR1xxuzrLprXMTHUYzR2FI&id=1431358706955037&_rdr.*

(Continued)

Primary Examiner — Rhea Shields

(74) *Attorney, Agent, or Firm* — Dekel Patent Ltd.; David Klein

(57) **CLAIM**

The ornamental design for a breast pump for nursing mothers, as shown and described.

DESCRIPTION

1. Breast pump for nursing mothers

1.1 : Perspective

1.2 : Perspective

1.3 : Left

1.4 : Bottom

1.5 : Back

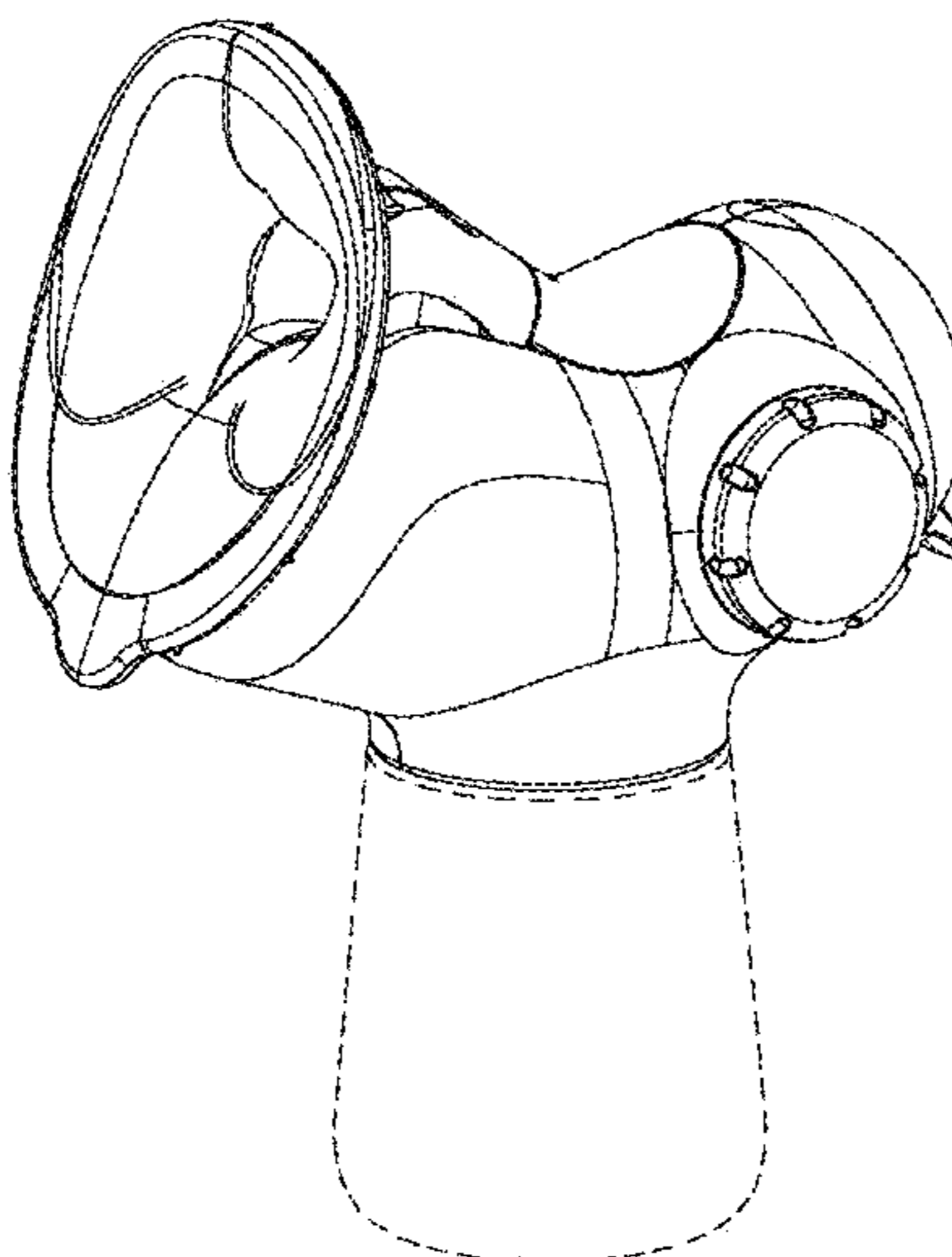
1.6 : Right

1.7 : Front

1.8 : Top

In the Reproductions, the broken lines are for the purpose of illustrating portions of the breast pump for nursing mothers that forms no part of the claimed design.

1 Claim, 8 Drawing Sheets



(56)

References Cited

U.S. PATENT DOCUMENTS

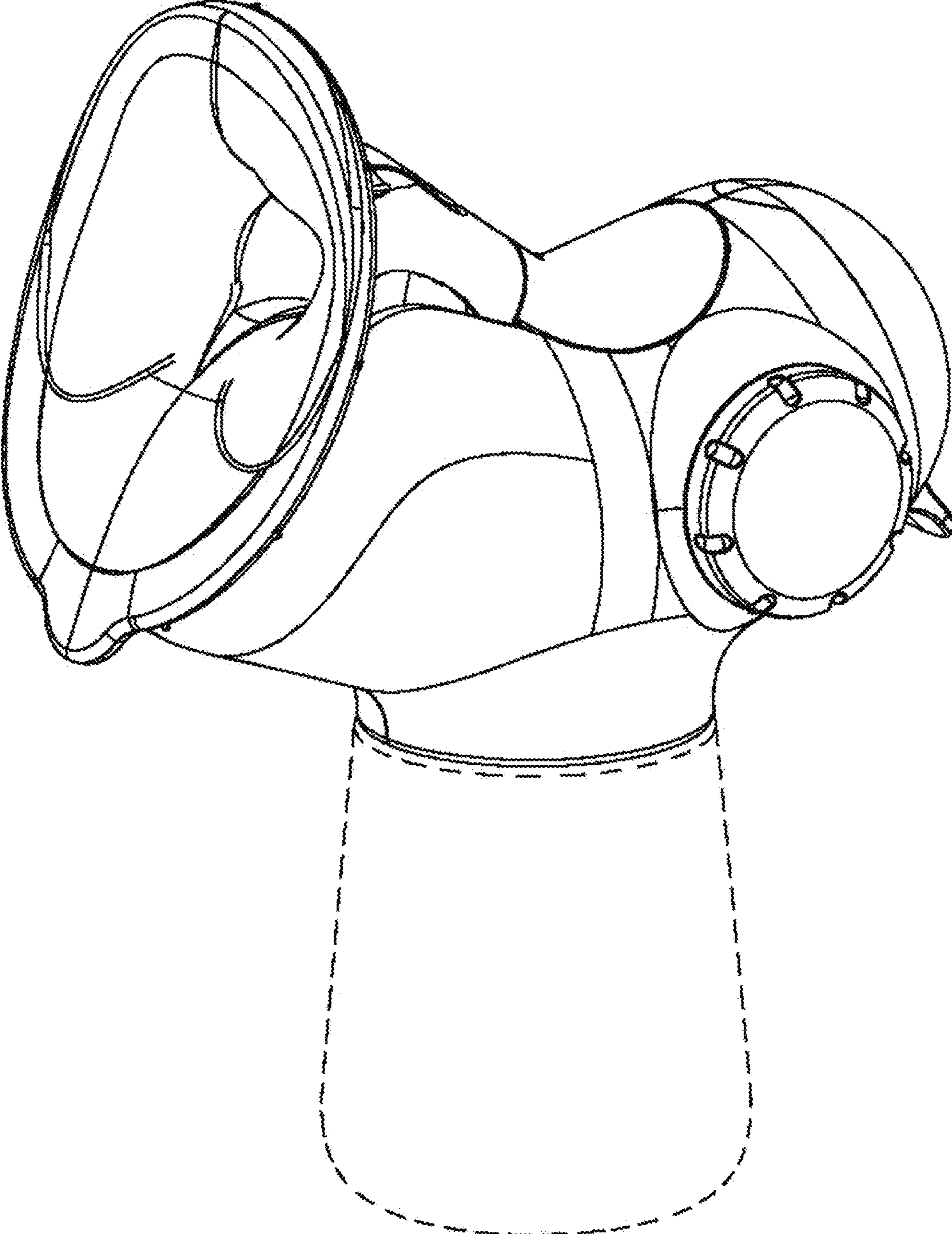
D636,072	S	*	4/2011	Silver	D24/109
D676,956	S	*	2/2013	Kirchner	D24/109
D681,802	S	*	5/2013	Marks	D24/109
D688,785	S	*	8/2013	Cudworth	D24/109
D701,955	S	*	4/2014	Thomas	D24/109
D760,543	S	*	7/2016	Lue	D7/533
D796,026	S	*	8/2017	Holtz	D24/109
D799,024	S	*	10/2017	Gilbert	D24/109
D808,006	S	*	1/2018	Zhang	D24/109
D846,112	S	*	4/2019	Muther	D24/109
D867,574	S	*	11/2019	Gilbert	D24/109
D871,566	S	*	12/2019	Zhang	D24/109
D909,046	S	*	2/2021	Chua	D3/203.1
D932,003	S	*	9/2021	Zhang	D24/109
D963,835	S	*	9/2022	Conklin	D24/109
2022/0047786	A1	*	2/2022	Wainstein	A61M 1/0697

OTHER PUBLICATIONS

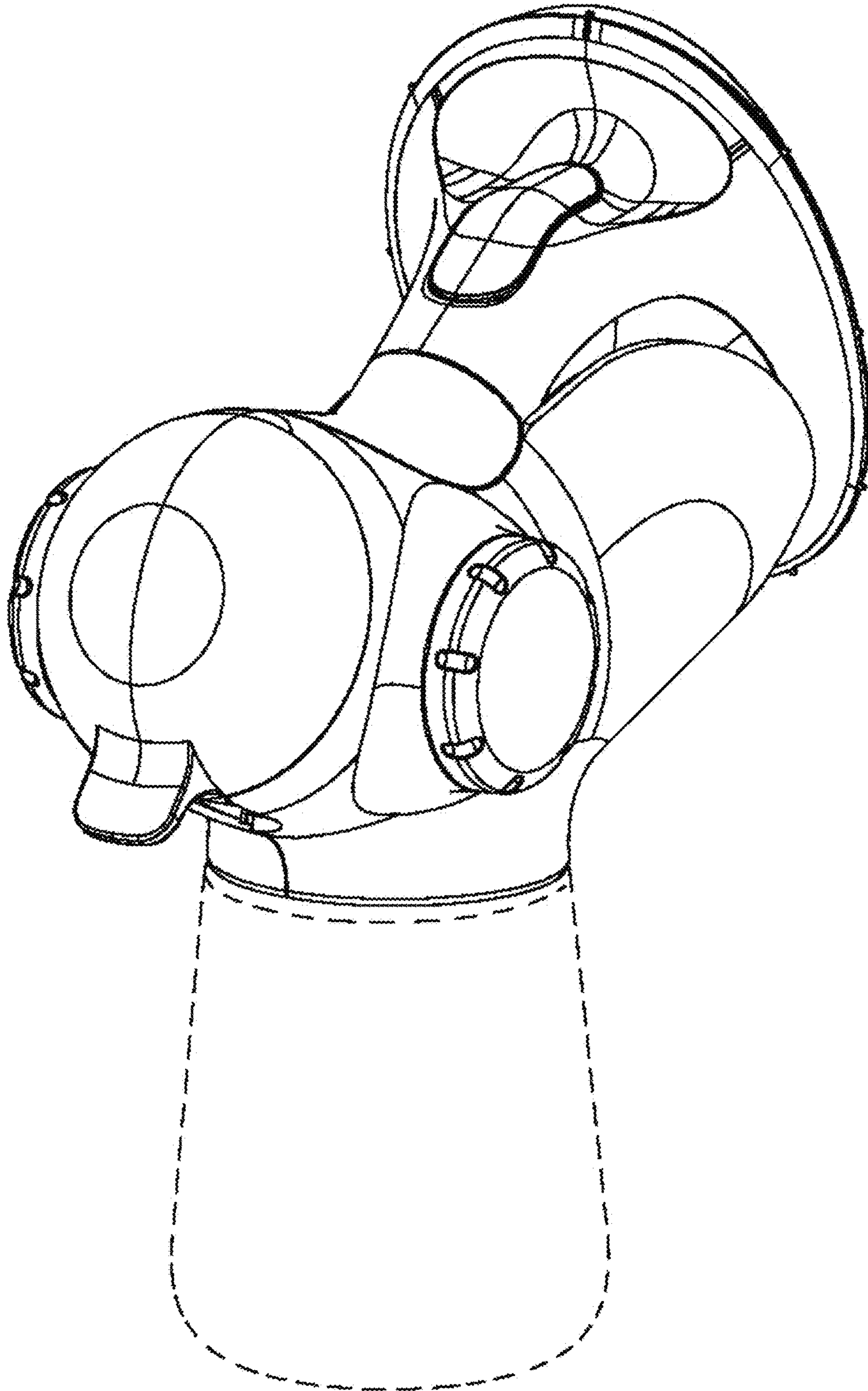
“More Milk . . .” reference found on Sep. 29, 2022 on the internet at: <https://annabella-pump.myshopify.com/>.*

* cited by examiner

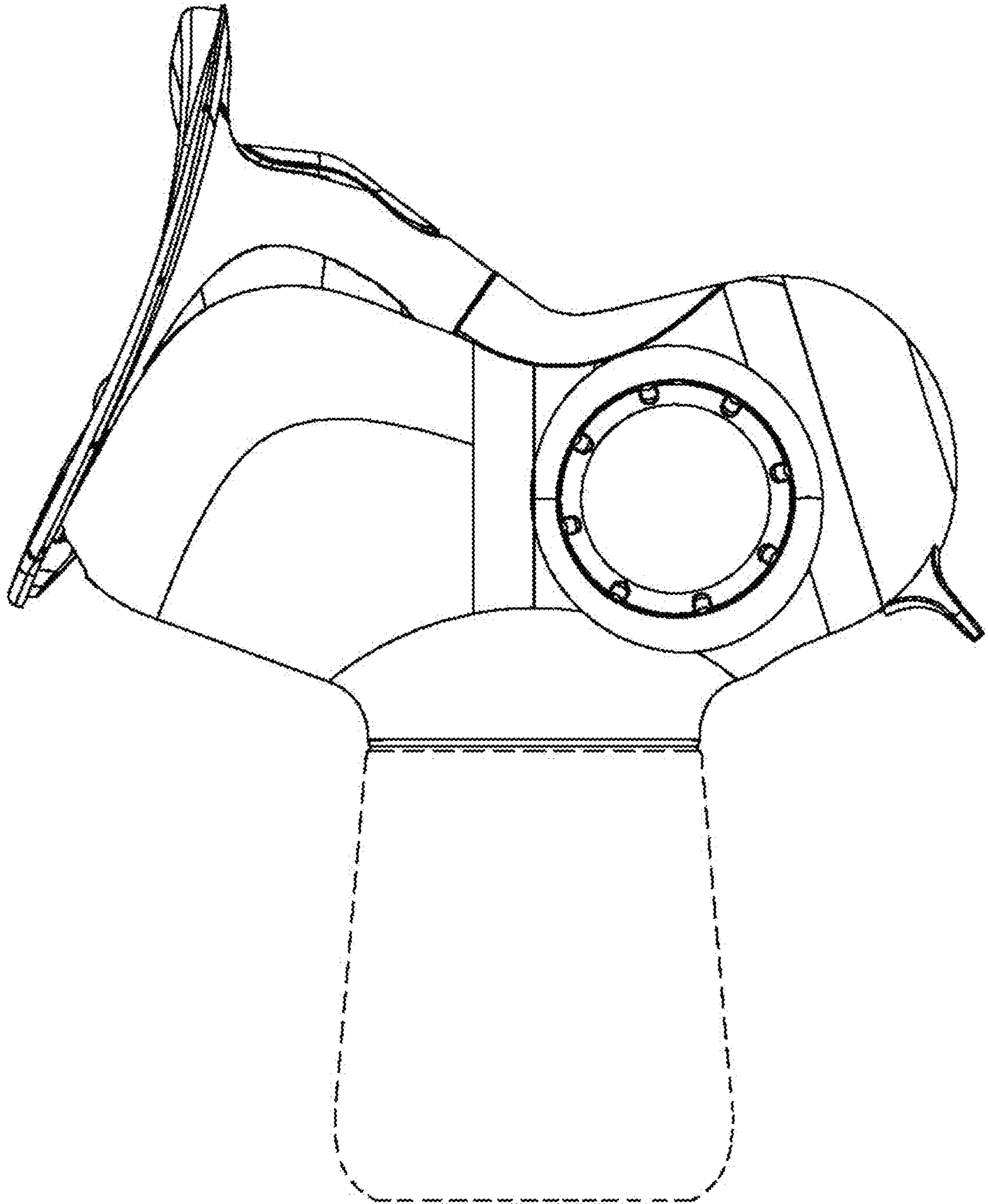
1.1



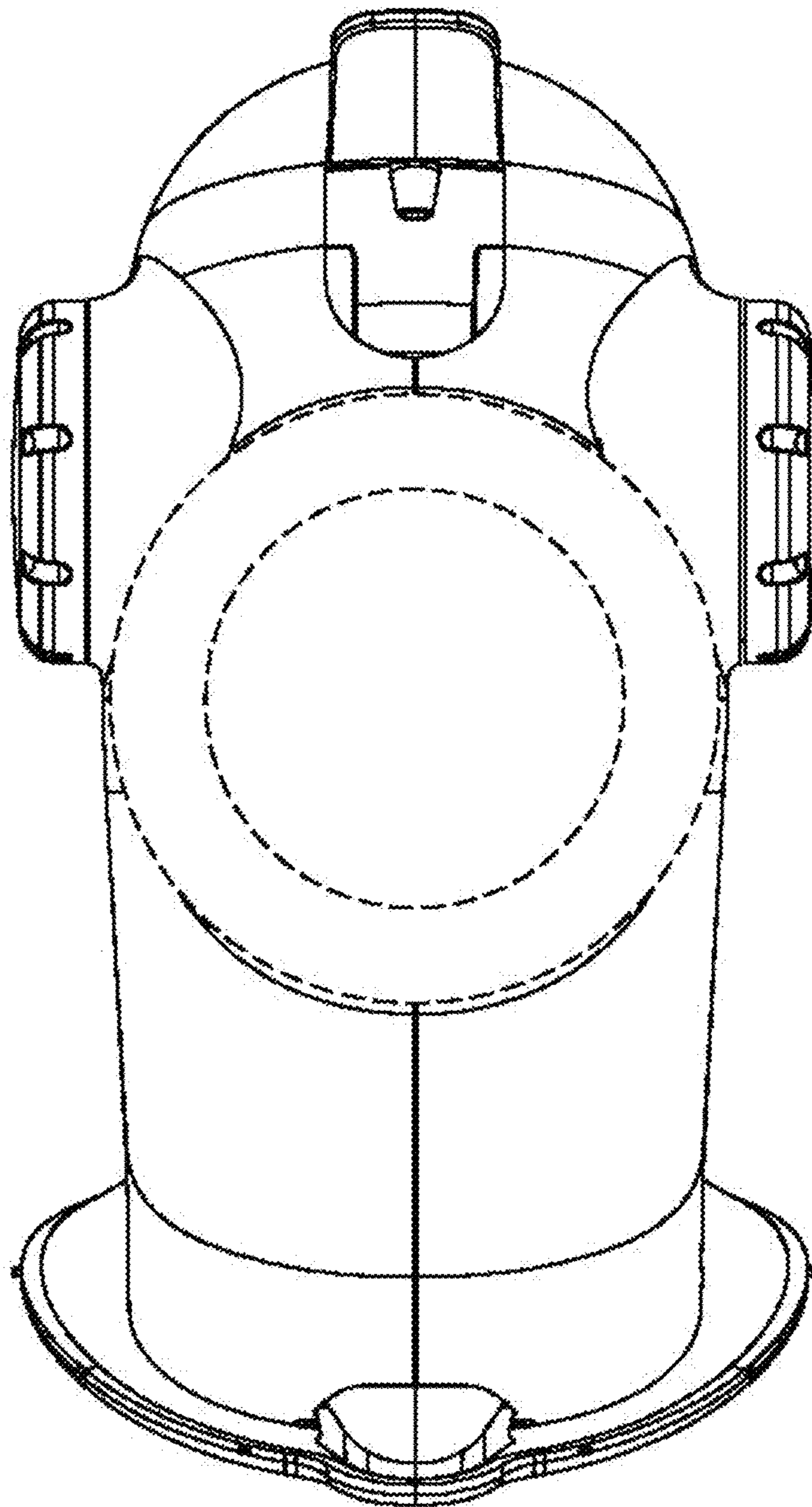
1.2



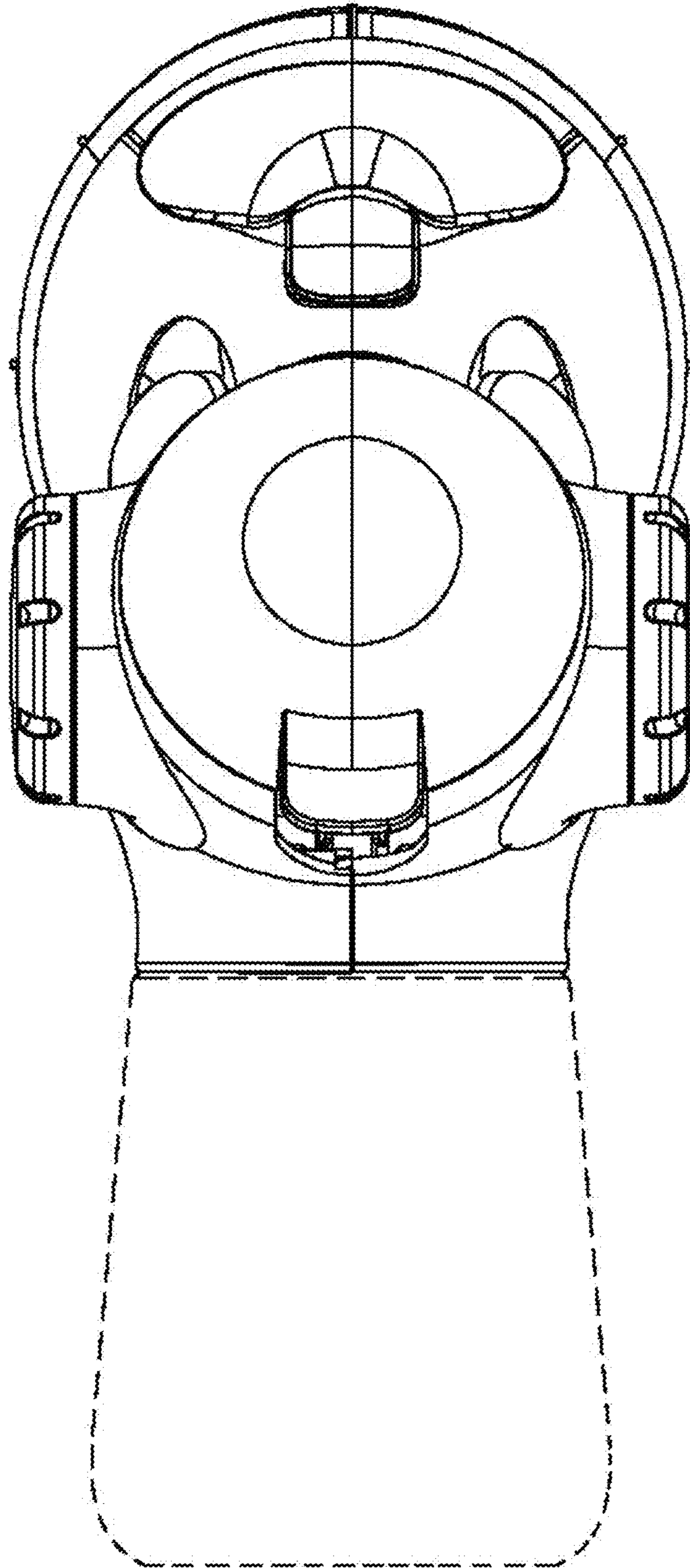
1.3



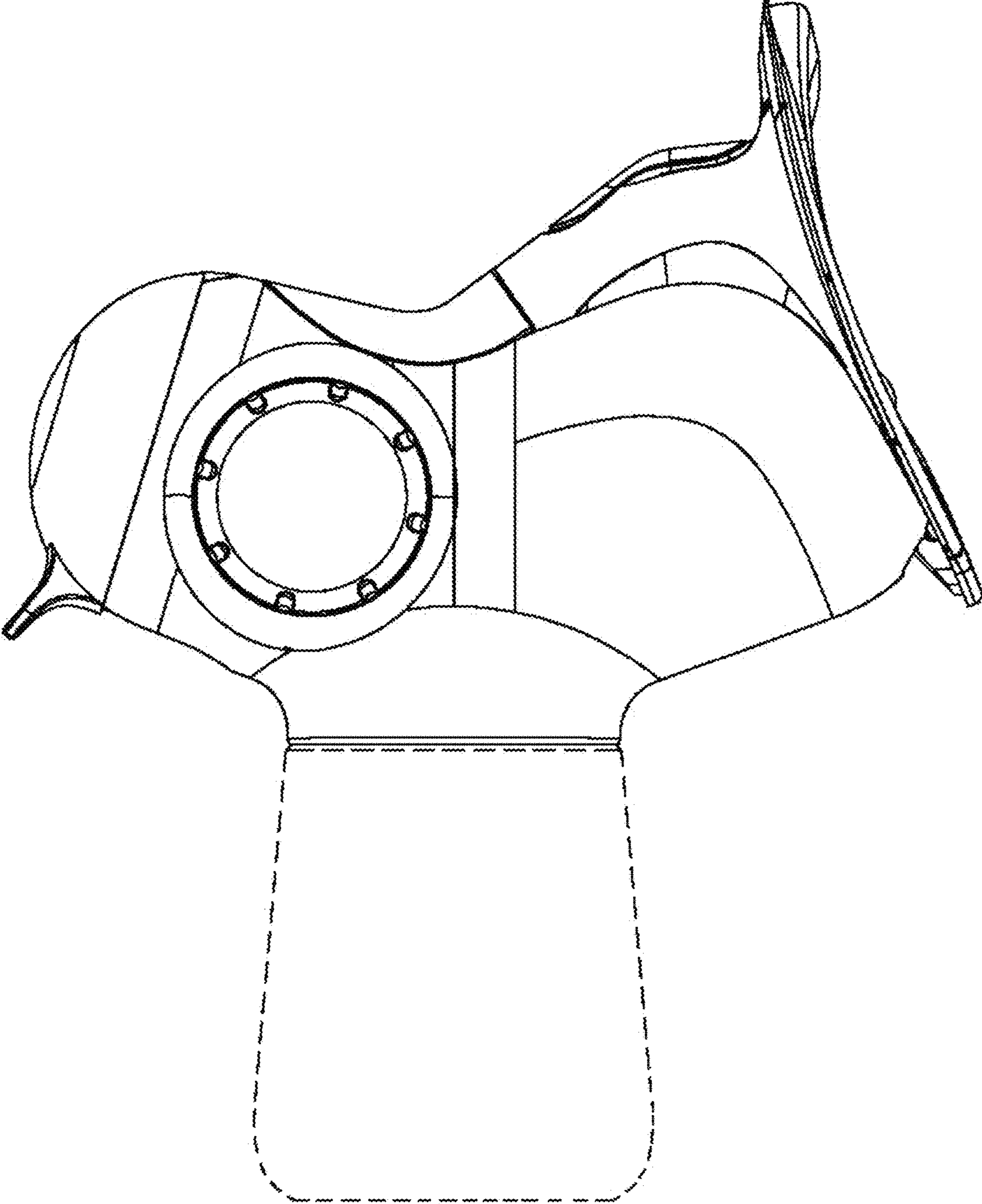
1.4



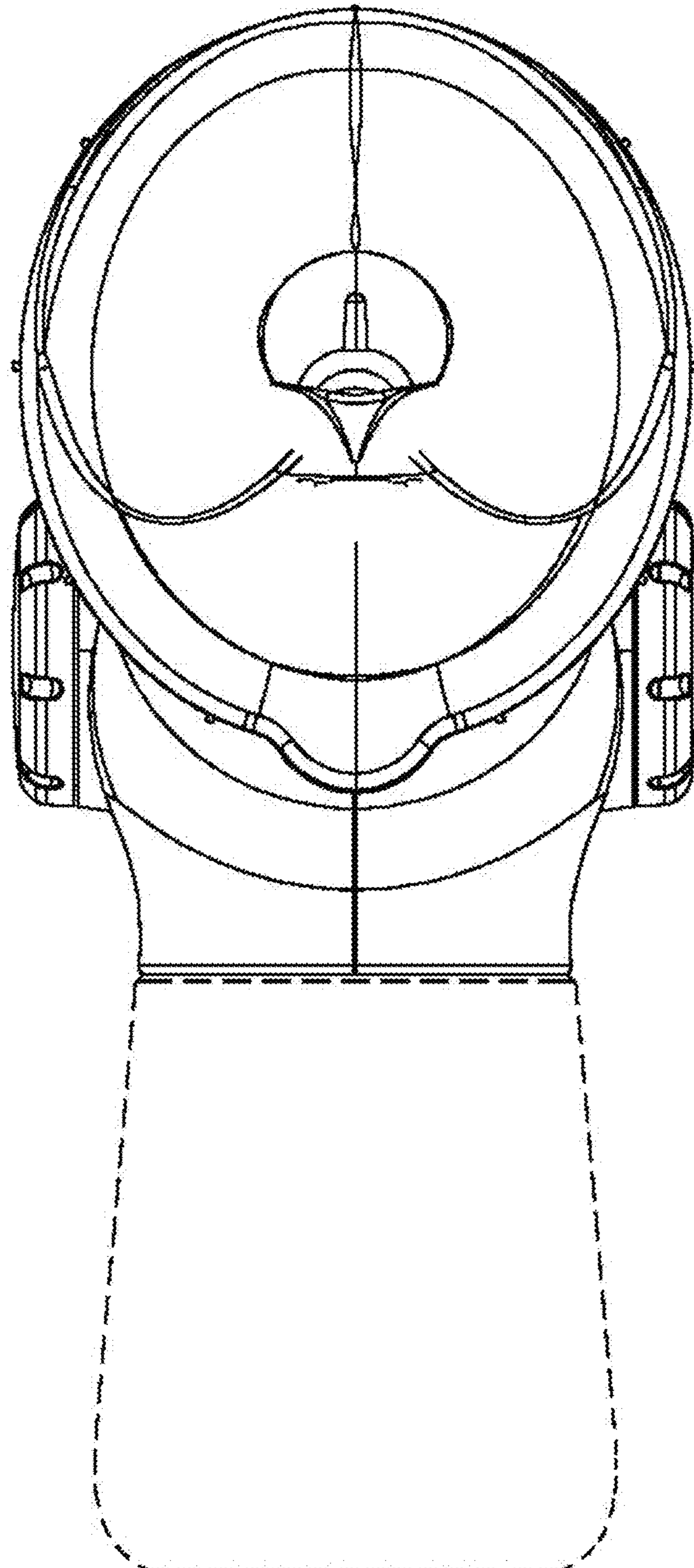
1.5



1.6



1.7



1.8

