

US00D976421S

(12) **United States Design Patent**  
**Chen**

(10) **Patent No.:** **US D976,421 S**  
(45) **Date of Patent:** **\*\* Jan. 24, 2023**

(54) **TENS UNIT MUSCLE STIMULATOR**

(71) Applicant: **Changsha Yuwen Network Technology Co., Ltd.**, Changsha (CN)  
(72) Inventor: **Junyuan Chen**, Changsha (CN)  
(73) Assignee: **HAIKOU LILI INVESTMENT CO., LTD.**, Haikou (CN)

(\*\*) Term: **15 Years**

(21) Appl. No.: **29/804,984**

(22) Filed: **Aug. 24, 2021**

(30) **Foreign Application Priority Data**

Aug. 18, 2021 (CN) ..... 202130537756.0

(51) **LOC (14) Cl.** ..... **24-01**

(52) **U.S. Cl.**  
USPC ..... **D24/200**

(58) **Field of Classification Search**

USPC ..... D24/112-113, 127, 130, 133, 140,  
D24/144-147, 170, 200, 206, 209,  
D24/185-186, 165, 215; D14/344;  
D13/110, 162, 164; D28/56-59, 7;  
D8/61-62, 68-69, 71

CPC ..... A61M 37/0076; A61M 37/0084; A61M  
37/00; A61M 5/46; A61M 5/48; A61M  
37/0092; A61M 5/482; A61M 5/2466;  
Y10T 29/49826; A61H 19/30; A61H  
19/32; A61H 19/34; A61H 19/40; A61H  
19/44; A61H 19/50; A61H 19/00; A61H  
2201/0153; A61H 2201/0207; A61H

(Continued)

(56) **References Cited**

**U.S. PATENT DOCUMENTS**

D716,963 S \* 11/2014 Yosef ..... D24/215  
D830,565 S \* 10/2018 Xu ..... D24/186

(Continued)

**OTHER PUBLICATIONS**

Electronic Massager Machine, first available Apr. 29, 2021, amazon.co.uk, [online], [site visited Nov. 4, 2022], Available from internet URL: <https://www.amazon.co.uk/Electronic-Massager-Machine-Electrotherapy-Accessories/dp/B093SMFLYG/> (Year: 2021).\*

(Continued)

*Primary Examiner* — Samantha Q Lawrence

*Assistant Examiner* — Holly M Rodriguez

(74) *Attorney, Agent, or Firm* — IPro, PLLC

(57) **CLAIM**

The ornamental design for a TENS unit muscle stimulator, as shown and described.

**DESCRIPTION**

FIG. 1 is a front and right side perspective view of an ornamental design for a TENS unit muscle stimulator showing our new design;

FIG. 2 is a rear and left side perspective view of the TENS unit muscle stimulator;

FIG. 3 is a front view of the TENS unit muscle stimulator;

FIG. 4 is a rear view of the TENS unit muscle stimulator;

FIG. 5 is a left side view of the TENS unit muscle stimulator;

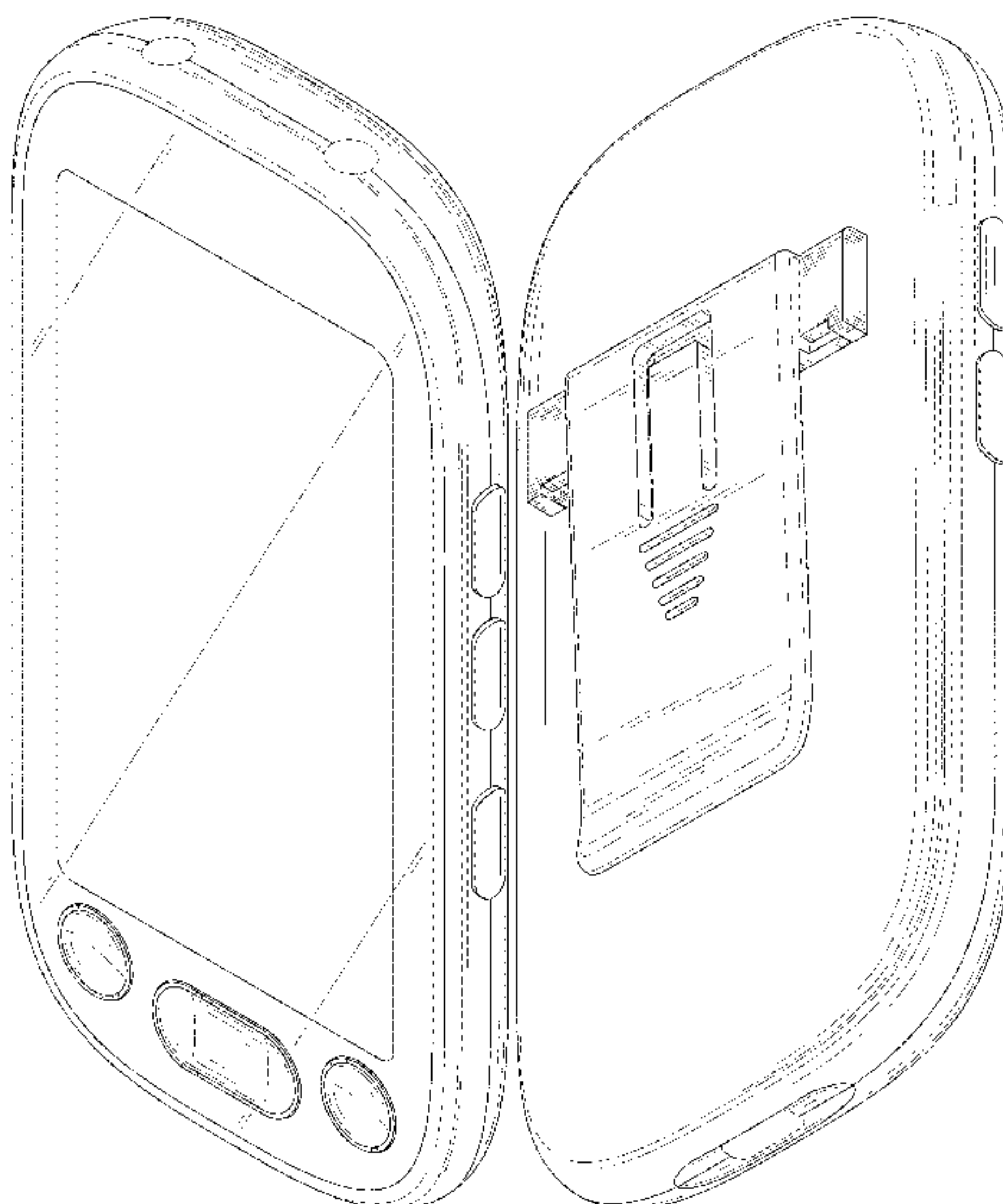
FIG. 6 is a right side view of the TENS unit muscle stimulator;

FIG. 7 is a top view of the TENS unit muscle stimulator; and,

FIG. 8 is a bottom view of the TENS unit muscle stimulator. The broken lines in the drawings depict portions of the TENS unit muscle stimulator that form no part of the claimed design.

The oblique shading lines show a transparent or semi-transparent surface, and not surface ornamentation.

**1 Claim, 8 Drawing Sheets**



(58) **Field of Classification Search**

CPC ..... 2201/0263; A61H 2201/0111; A61H  
2201/1253; A61H 2205/082; A61H  
2205/085; A61H 15/0085; A61N 1/36003;  
A61N 1/36014; A61N 1/36017; A61N  
1/36021; A61N 1/36; A61N 1/0456;  
A61N 1/36071

See application file for complete search history.

(56) **References Cited**

U.S. PATENT DOCUMENTS

D961,786 S \* 8/2022 Chen ..... D24/200  
D963,871 S \* 9/2022 Chen ..... D24/200  
2021/0228156 A1\* 7/2021 Kouge ..... A61B 5/6801

OTHER PUBLICATIONS

Belifu Dual Channel Tens Unit Electro Muscle Stimulator, first available Mar. 11, 2019, amazon.com, [online], [site visited Oct. 31, 2022], Available from internet URL: <https://www.amazon.com/dp/B077F2RNSZ/> (Year: 2019).\*

\* cited by examiner

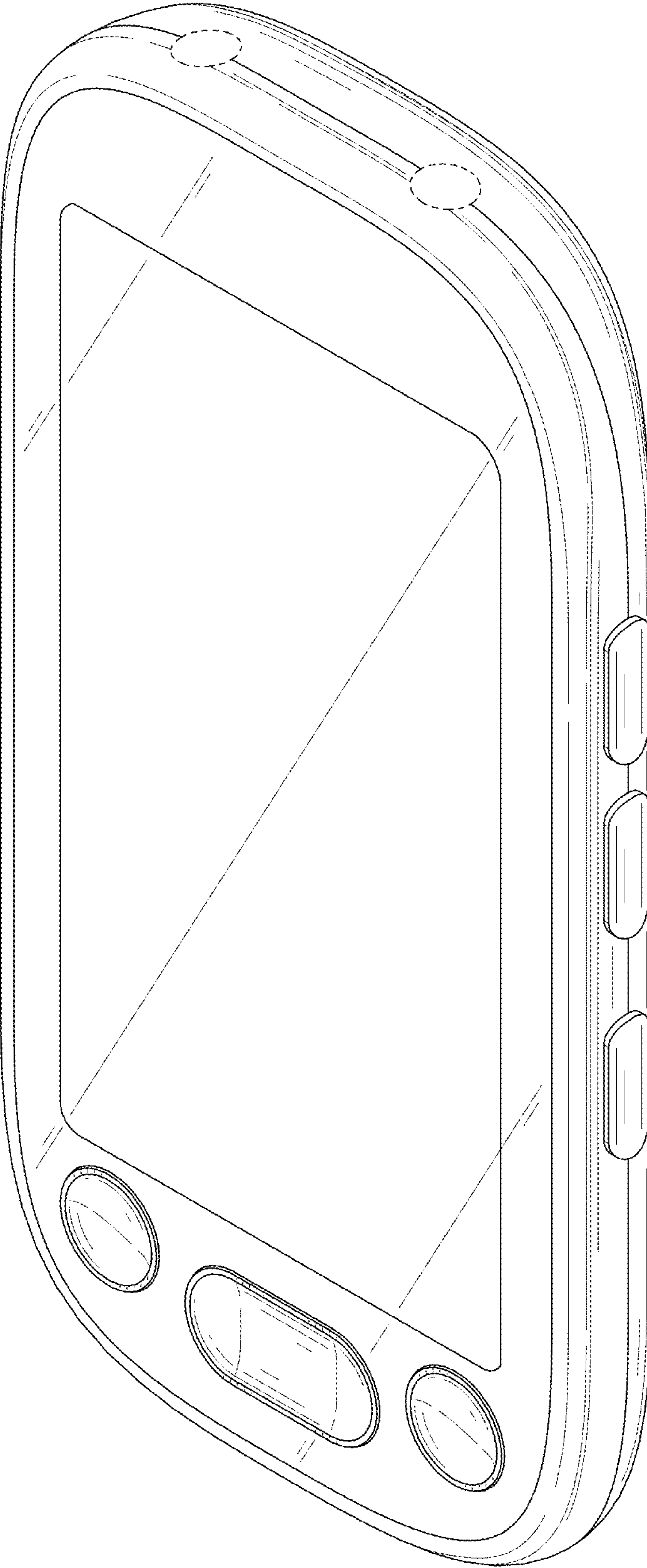


FIG. 1

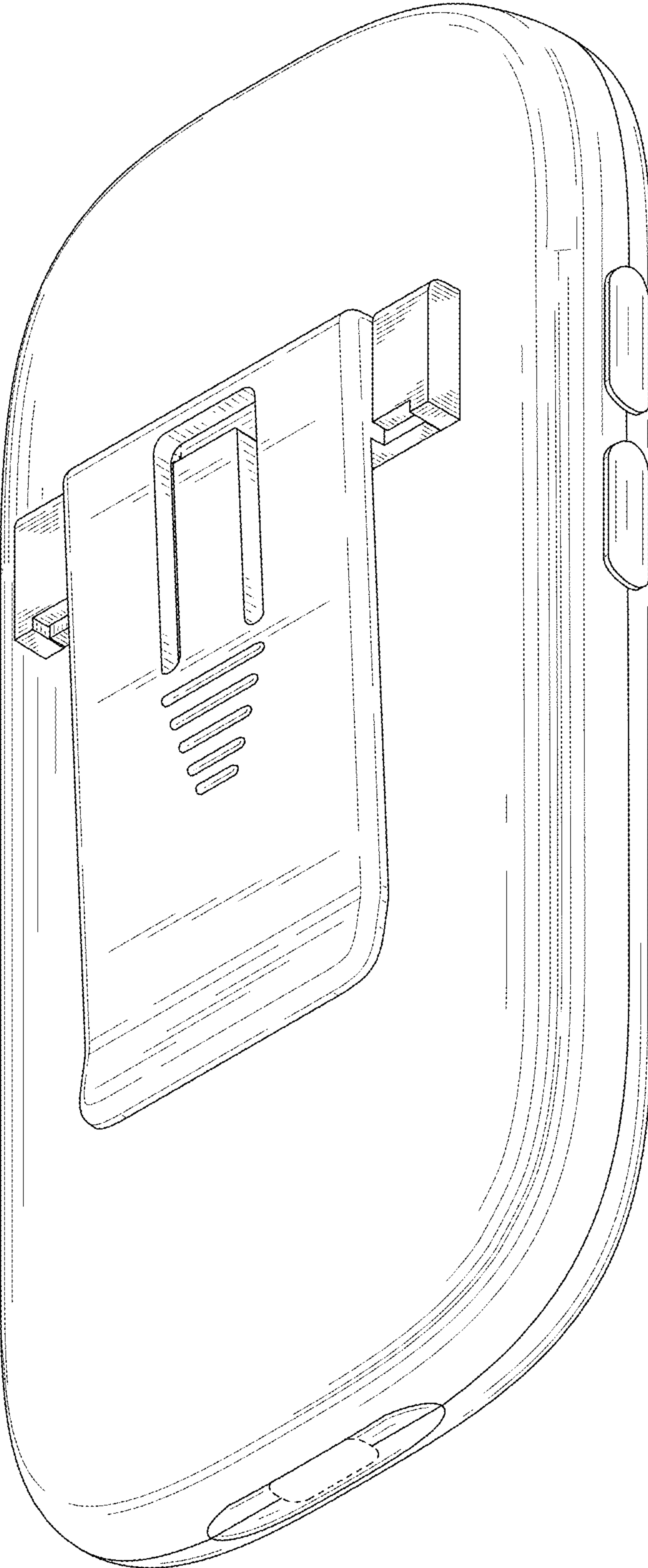


FIG. 2



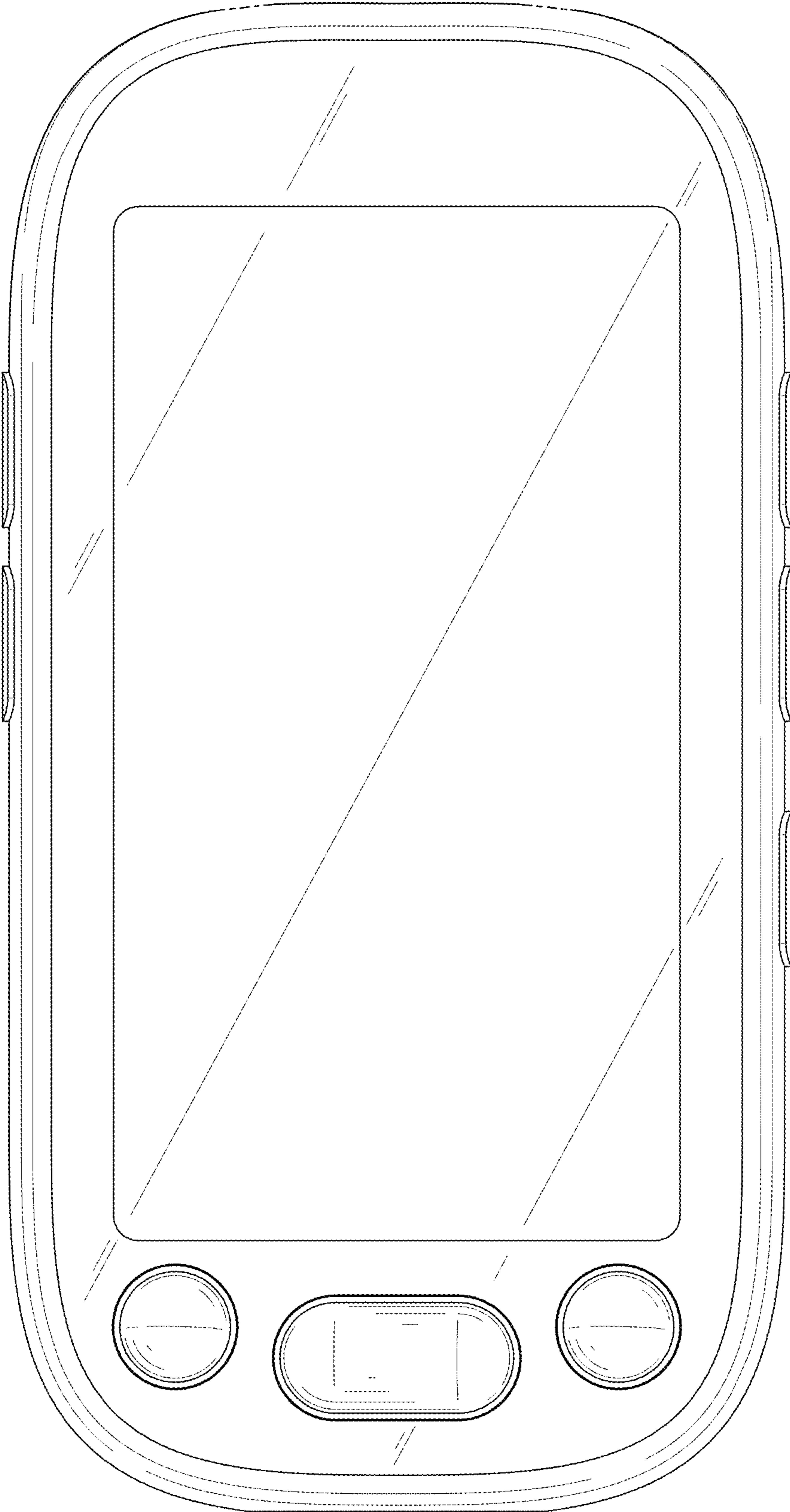


FIG. 3

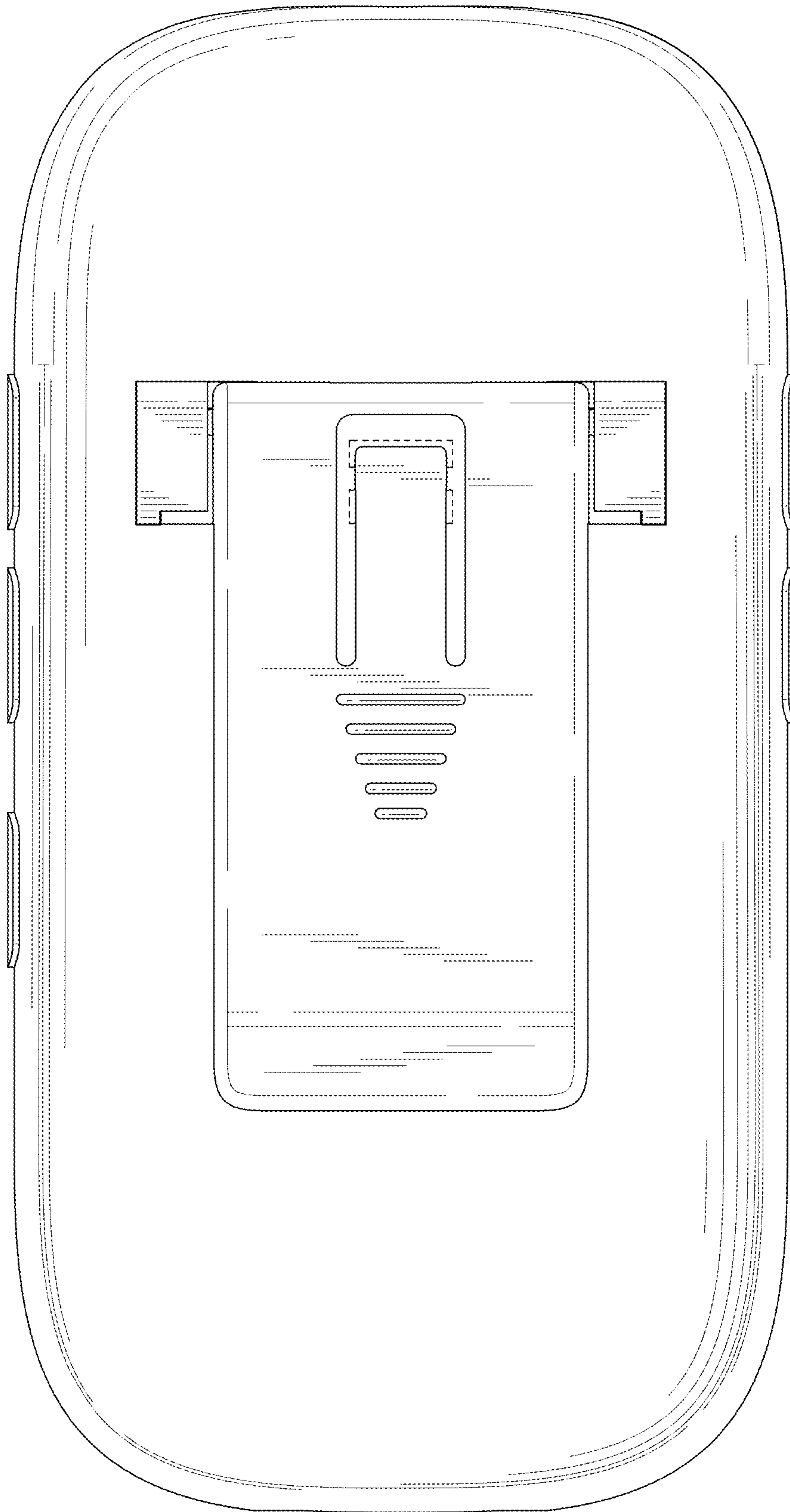


FIG. 4

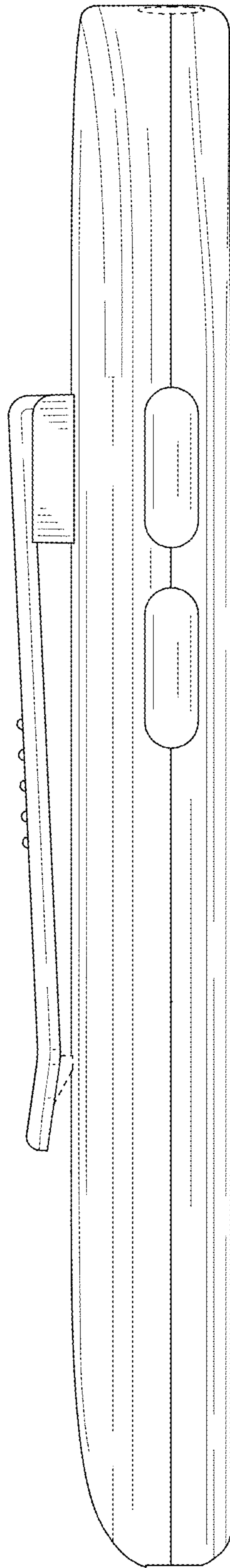


FIG. 5

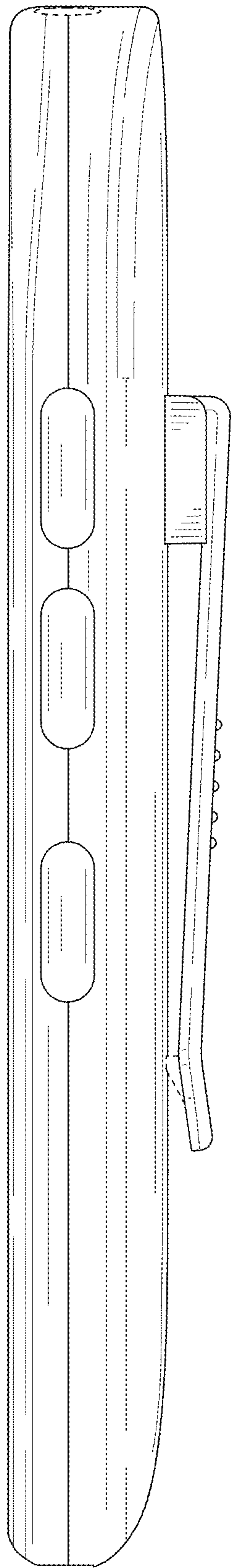


FIG. 6



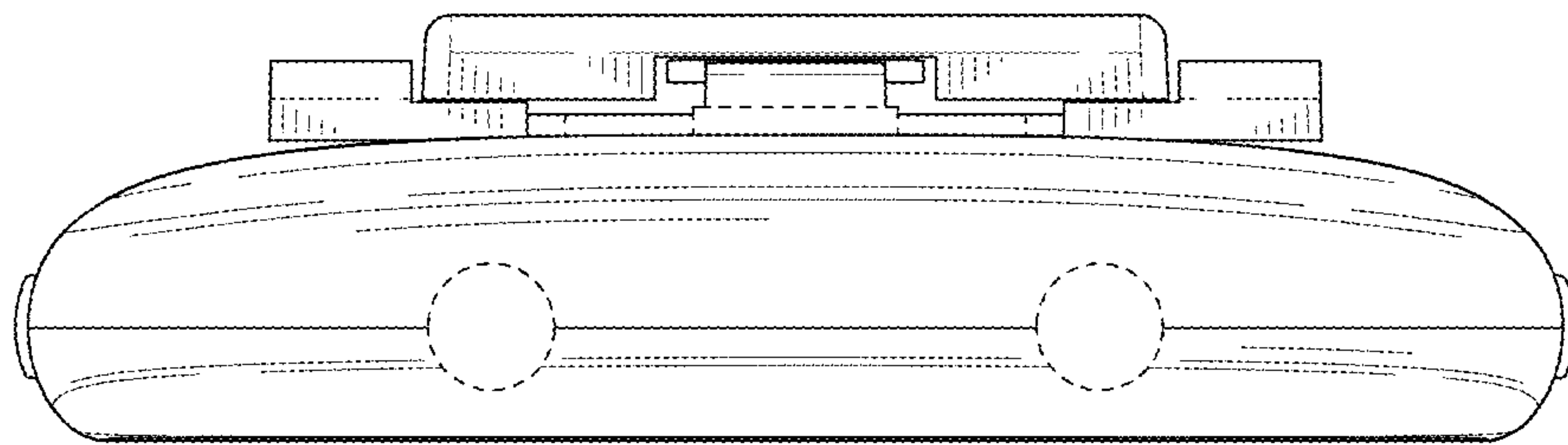


FIG. 7

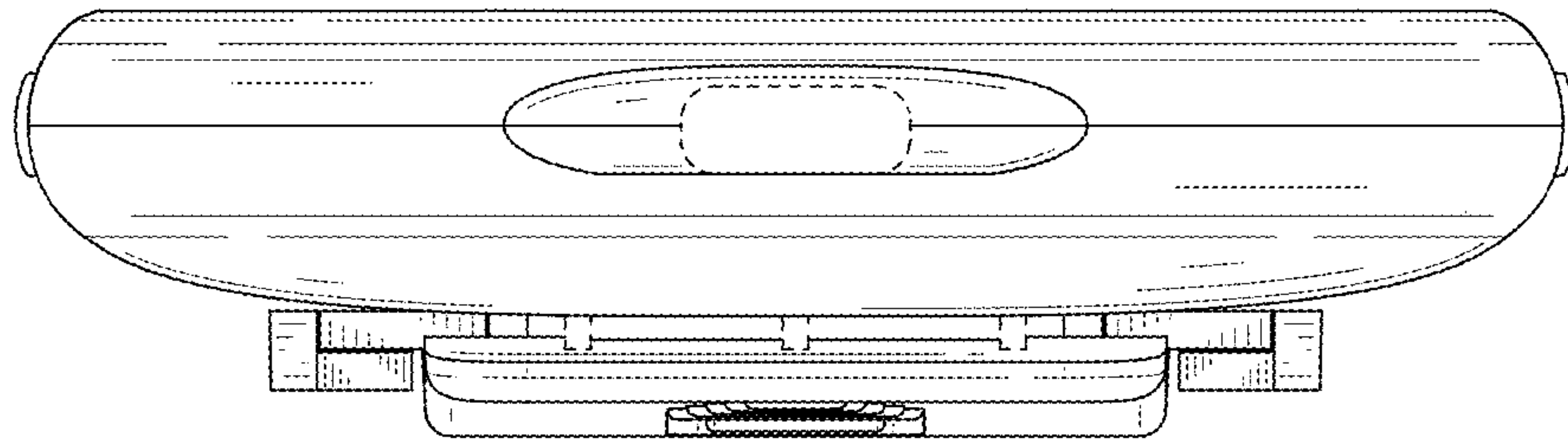


FIG. 8