

US00D976419S

(12) **United States Design Patent**
Hwang

(10) **Patent No.:** **US D976,419 S**
(45) **Date of Patent:** **** Jan. 24, 2023**

- (54) **FEEDING BOTTLE**
- (71) Applicant: **Estuen Inc.**, Gyeonggi-do (KR)
- (72) Inventor: **Kui Hyun Hwang**, Seoul (KR)
- (73) Assignee: **ESTUEN INC.**, Siheung-si (KR)
- (**) Term: **15 Years**
- (21) Appl. No.: **29/756,970**
- (22) Filed: **Nov. 2, 2020**

D596,945 S * 7/2009 Barnett D24/197
 D803,411 S * 11/2017 Park D24/197
 D910,861 S * 2/2021 Cannon D24/197

(30) **Foreign Application Priority Data**

Aug. 31, 2020 (KR) 30-2020-0040935

- (51) **LOC (14) Cl.** **07-01**
- (52) **U.S. Cl.**
USPC **D24/197; D9/530**
- (58) **Field of Classification Search**
USPC D24/194, 195, 196, 197, 198, 199;
D7/392.1, 511, 513, 619.1, 622, 624.2;
D9/523, 530, 531, 537, 548, 719, 741,
D9/745
CPC A61J 9/00; A61J 9/005; A61J 9/008; A61J
9/0676; A61J 9/08; A47J 36/2411
See application file for complete search history.

(56) **References Cited**

U.S. PATENT DOCUMENTS

- 2,780,378 A * 2/1957 Romano A61J 9/005
222/215
- D315,021 S * 2/1991 Frosceno D24/198
- D375,795 S * 11/1996 Astle D24/197
- D392,512 S * 3/1998 Bennett D7/619.1
- D399,005 S * 9/1998 Chan D24/197
- D415,964 S * 11/1999 Manderfield, Jr. D9/530
- 6,173,850 B1 * 1/2001 Scheetz, Jr. A61J 9/00
215/11.1
- D464,434 S * 10/2002 Morano D24/197
- D481,953 S * 11/2003 Perrin D9/530
- D595,417 S * 6/2009 Driver D24/197

OTHER PUBLICATIONS

“A.kobee: Silicone Ribbed Feeding Bottle”. Found online Jul. 15, 2022 at ifdesign.com. Reference dated c.2021. Retrieved from <https://ifdesign.com/en/winner-ranking/project/a.kobee/311406>.
 “Farlin: Firm Base Feeding Bottle”. Found online Feb. 1, 2018 at amazon.in. Reference dated Jul. 2, 2013. Retrieved from <https://www.amazon.in/Farlin-150CC-Feeding-Bottle-Small/dp/B00DQKWPF0/>.
 “Haakaa: Silicone Baby Bottle”. Found online Aug. 11, 2021 at amazon.com. Reference dated Aug. 3, 2019. Retrieved from https://www.amazon.com/Haakaa-Silicone-Bottle-Nipple-Newborn/dp/B07QL5HVRX/ref=cm_cr_arp_d_product_top?.

(Continued)

Primary Examiner — Kendra Leslie Hamilton
 (74) *Attorney, Agent, or Firm* — Greer Burns & Crain Ltd.

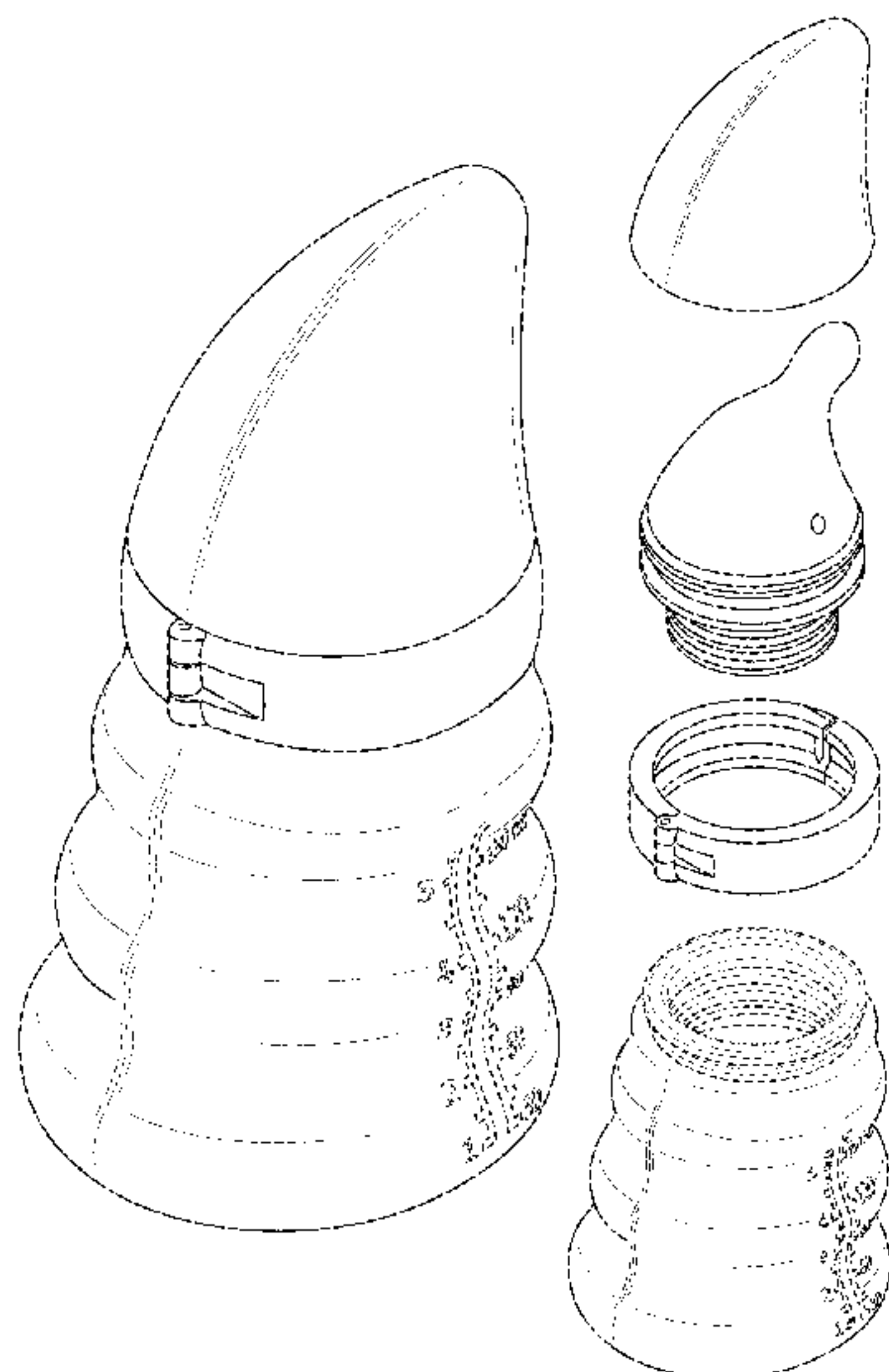
(57) **CLAIM**

The ornamental design for a feeding bottle, as shown and described.

DESCRIPTION

FIG. 1 is a perspective view of a feeding bottle showing the new design;
 FIG. 2 is a side elevational view thereof;
 FIG. 3 is an opposite side elevational view thereof;
 FIG. 4 is a front elevational view thereof;
 FIG. 5 is a rear elevational view thereof;
 FIG. 6 is a top plan view thereof;
 FIG. 7 is a bottom plan view thereof; and,
 FIG. 8 is an exploded perspective view thereof.
 The broken lines in FIGS. 1-2 and 4-8 define the environmental structure of the claimed design and form no part thereof.

1 Claim, 7 Drawing Sheets



(56)

References Cited

OTHER PUBLICATIONS

“Joovy Boob with Insulator Baby Bottle”. Found online Mar. 1, 2018 at amazon.com. Reference dated Nov. 30, 2013. Retrieved from https://www.amazon.com/Joovy-Insulator-Bottle-Purpleness-Ounce/dp/B00HXDVNE4/ref=sr_1_12_a_it?ie=UTF8&qid=1519950868&sr=8-12&keywords=joovy+bottle.*

* cited by examiner

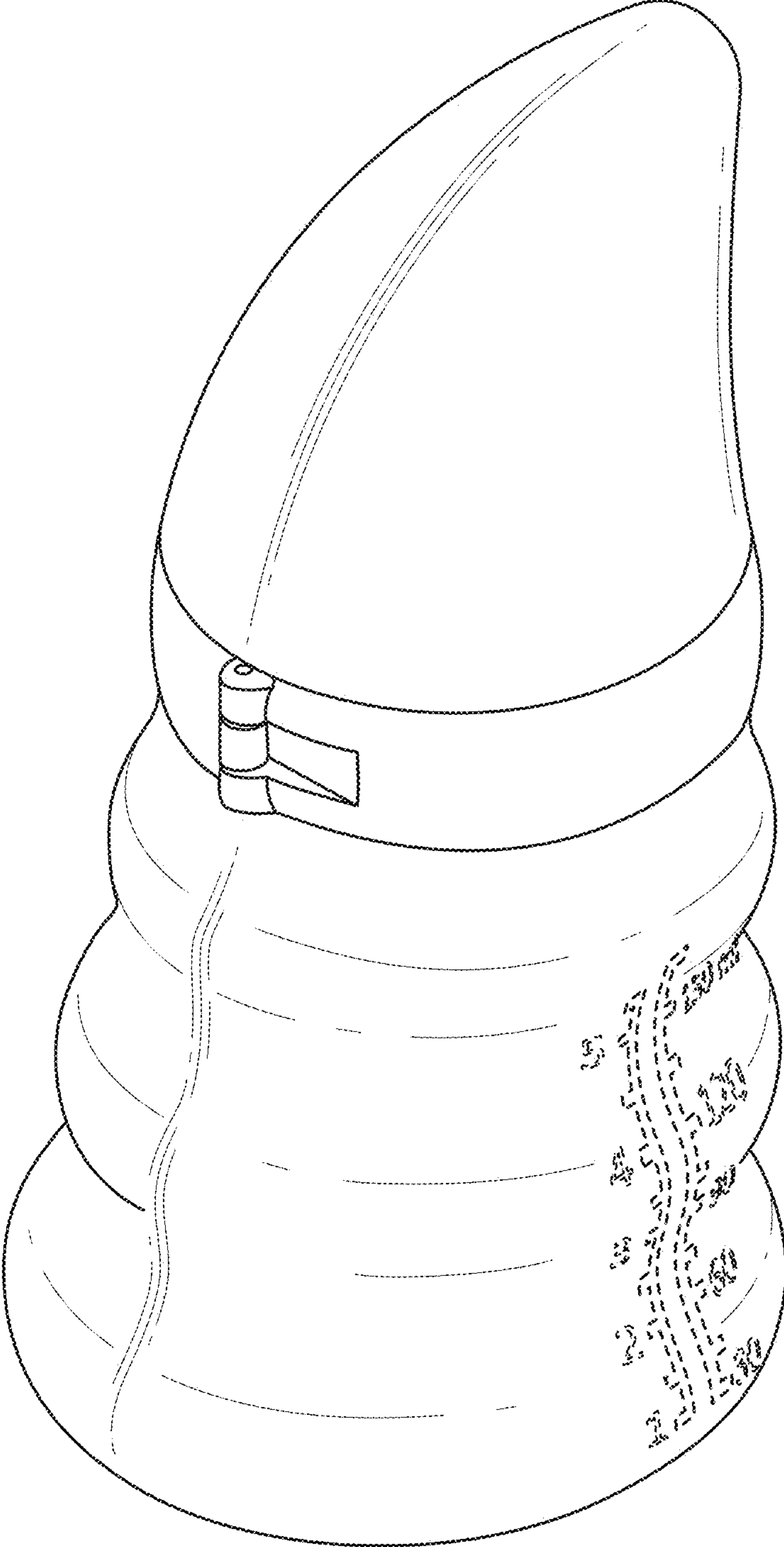


FIG. 1

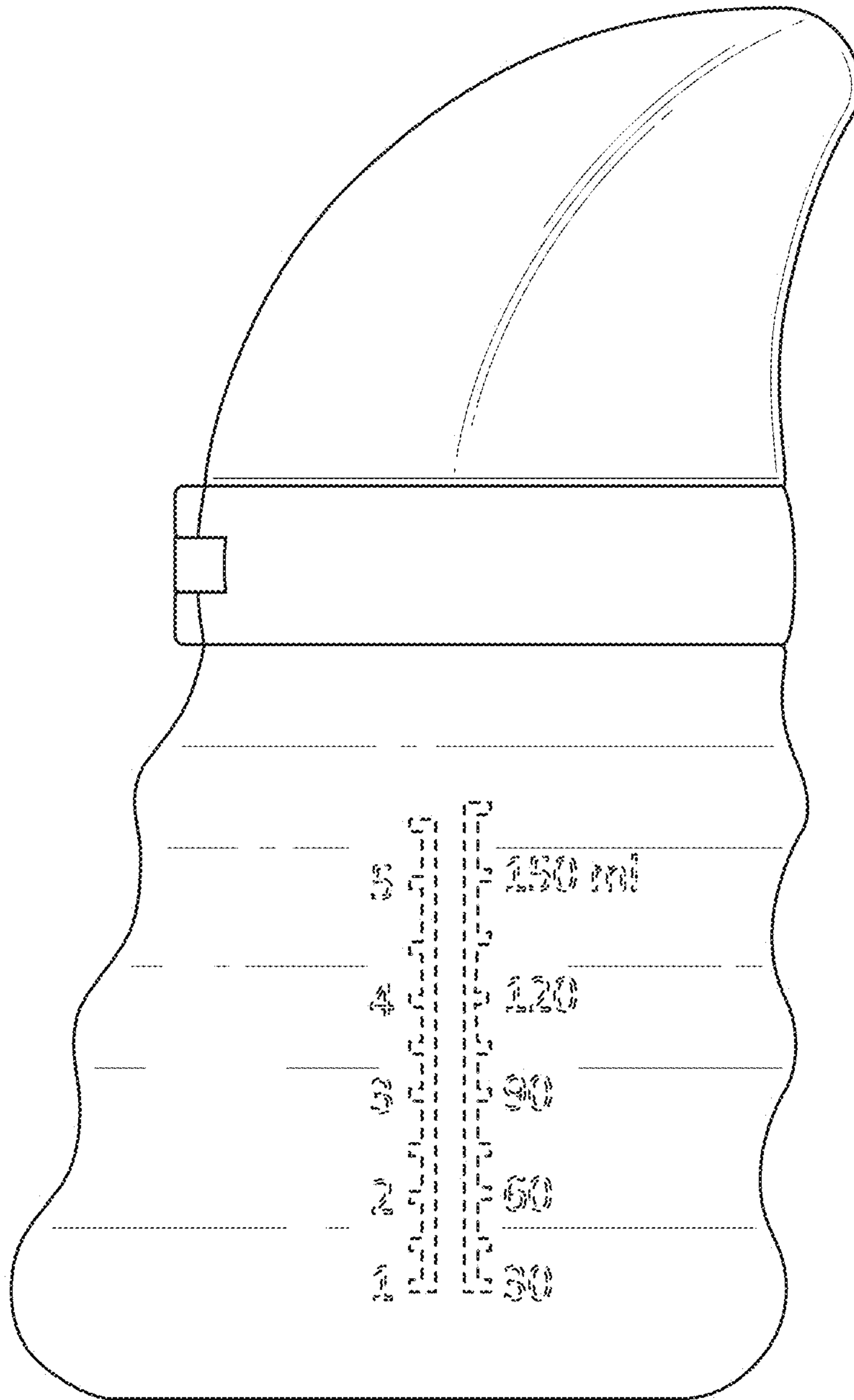


FIG. 2

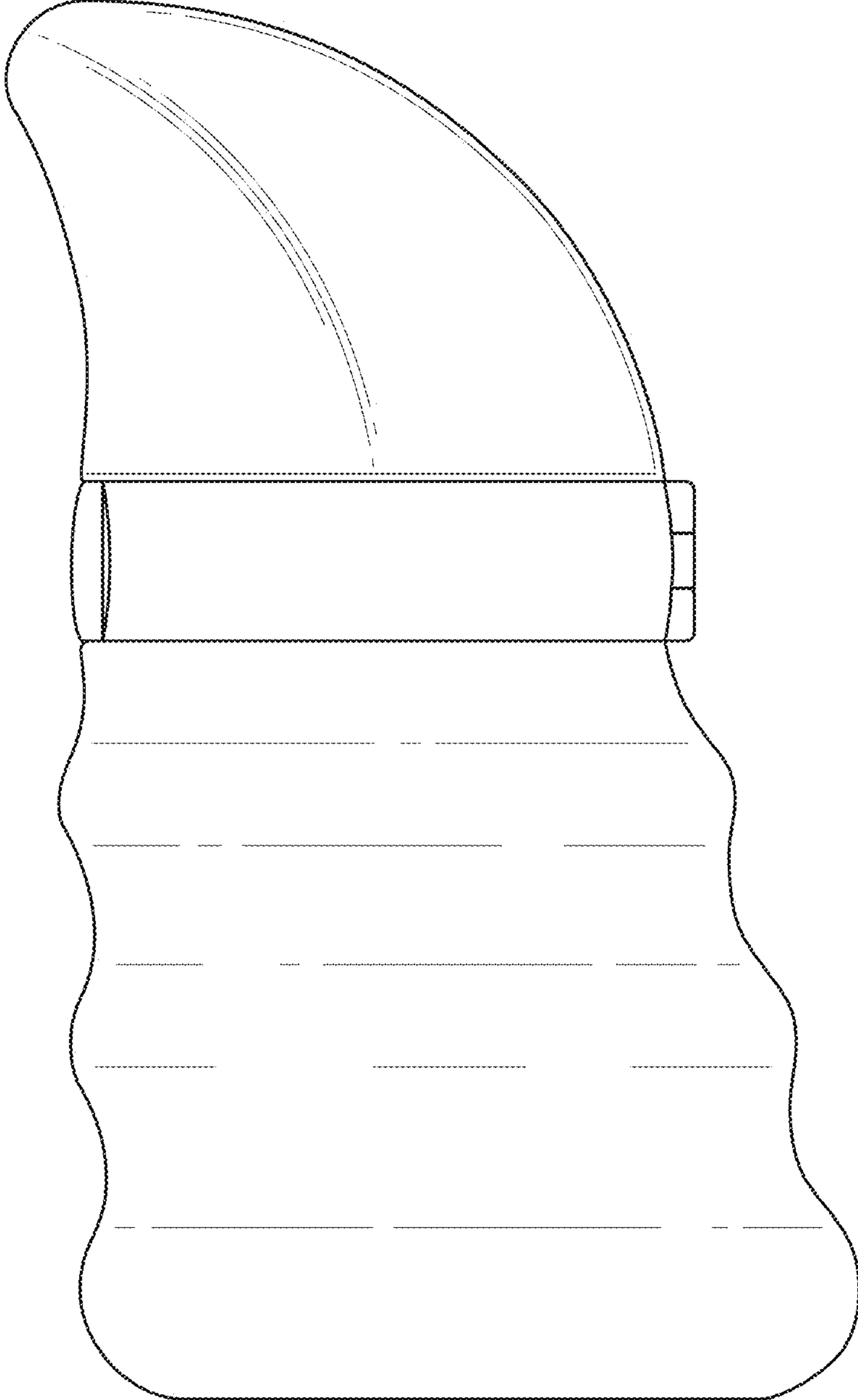


FIG. 3

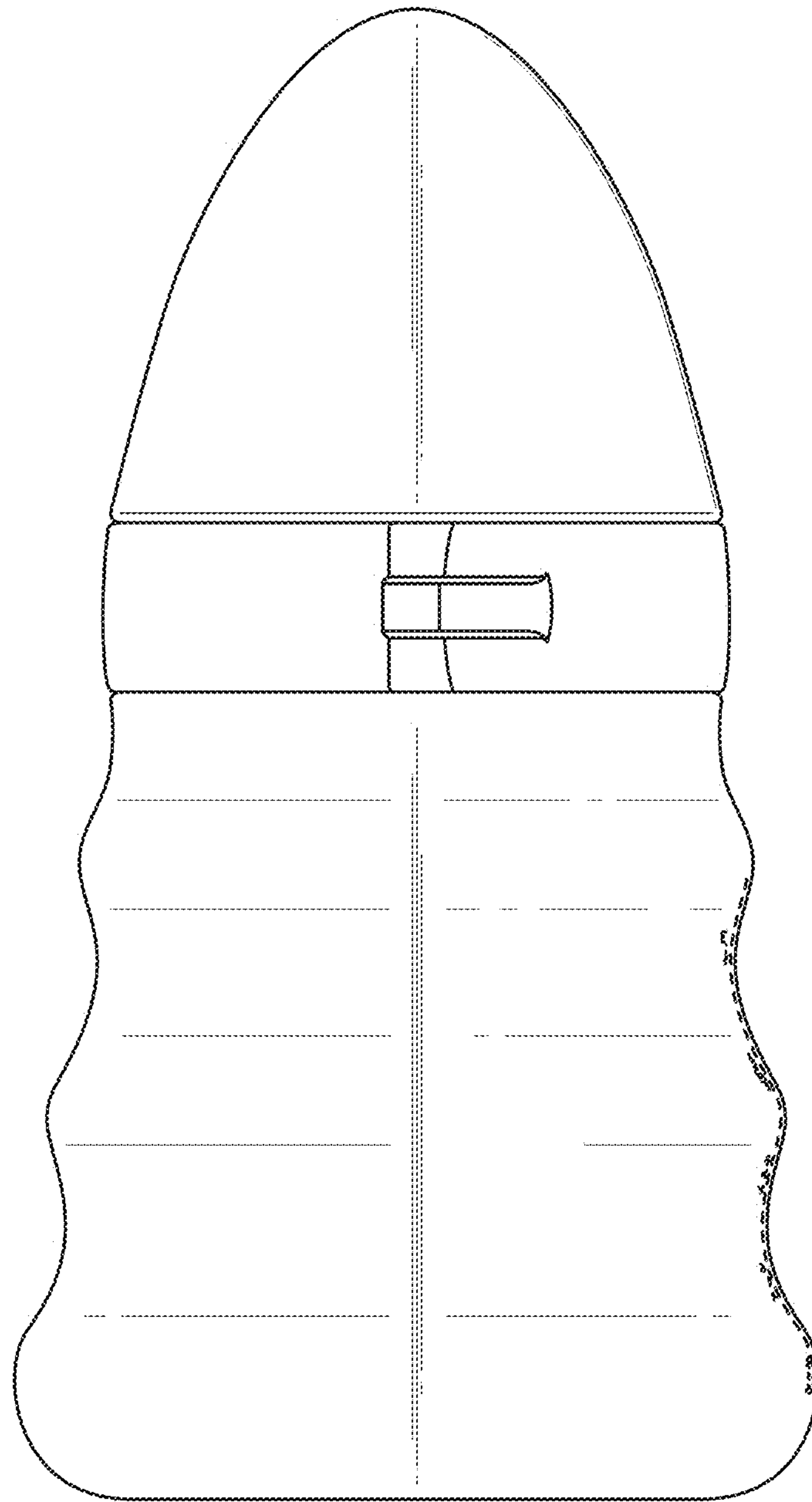


FIG. 4

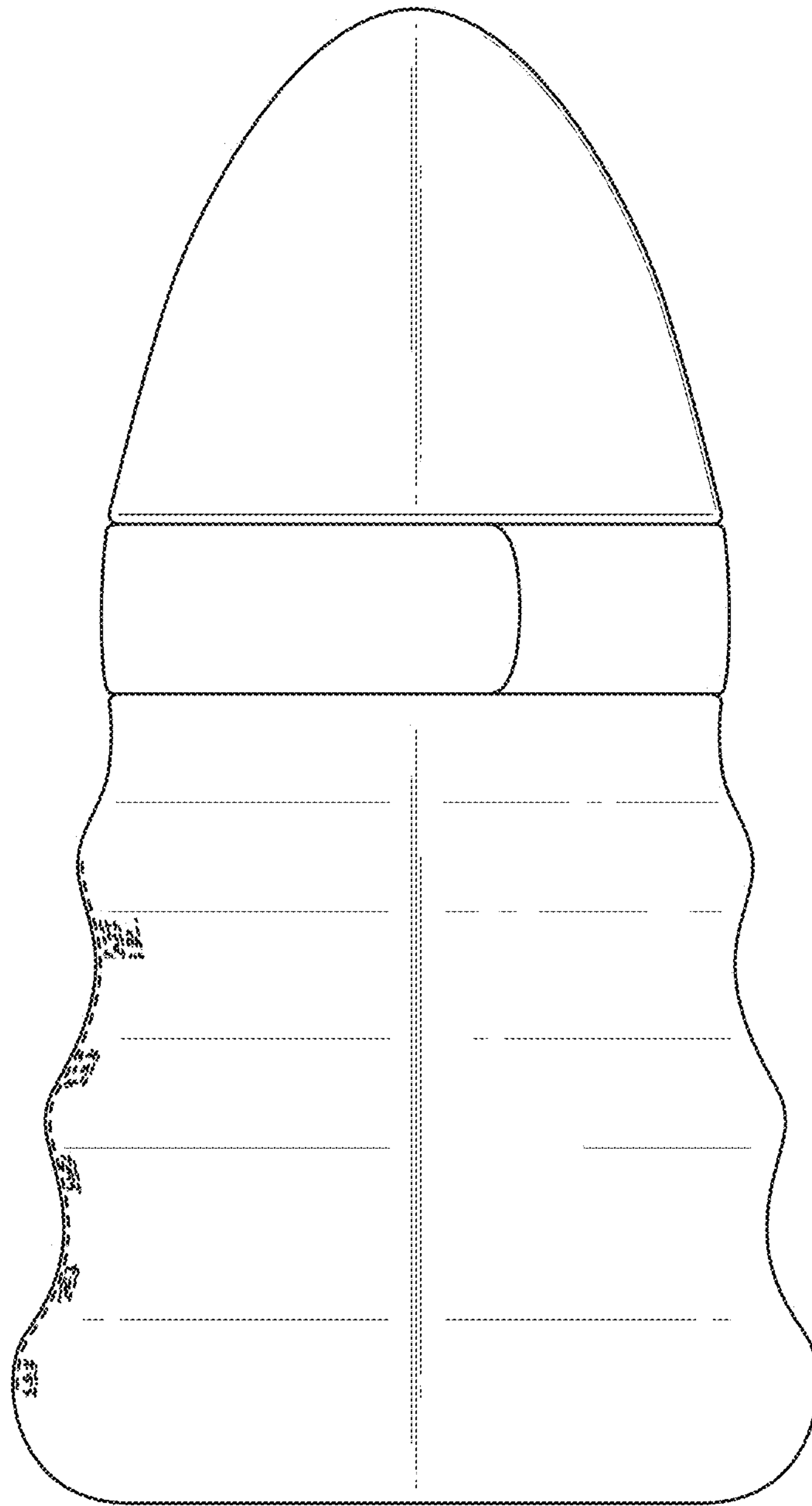


FIG. 5

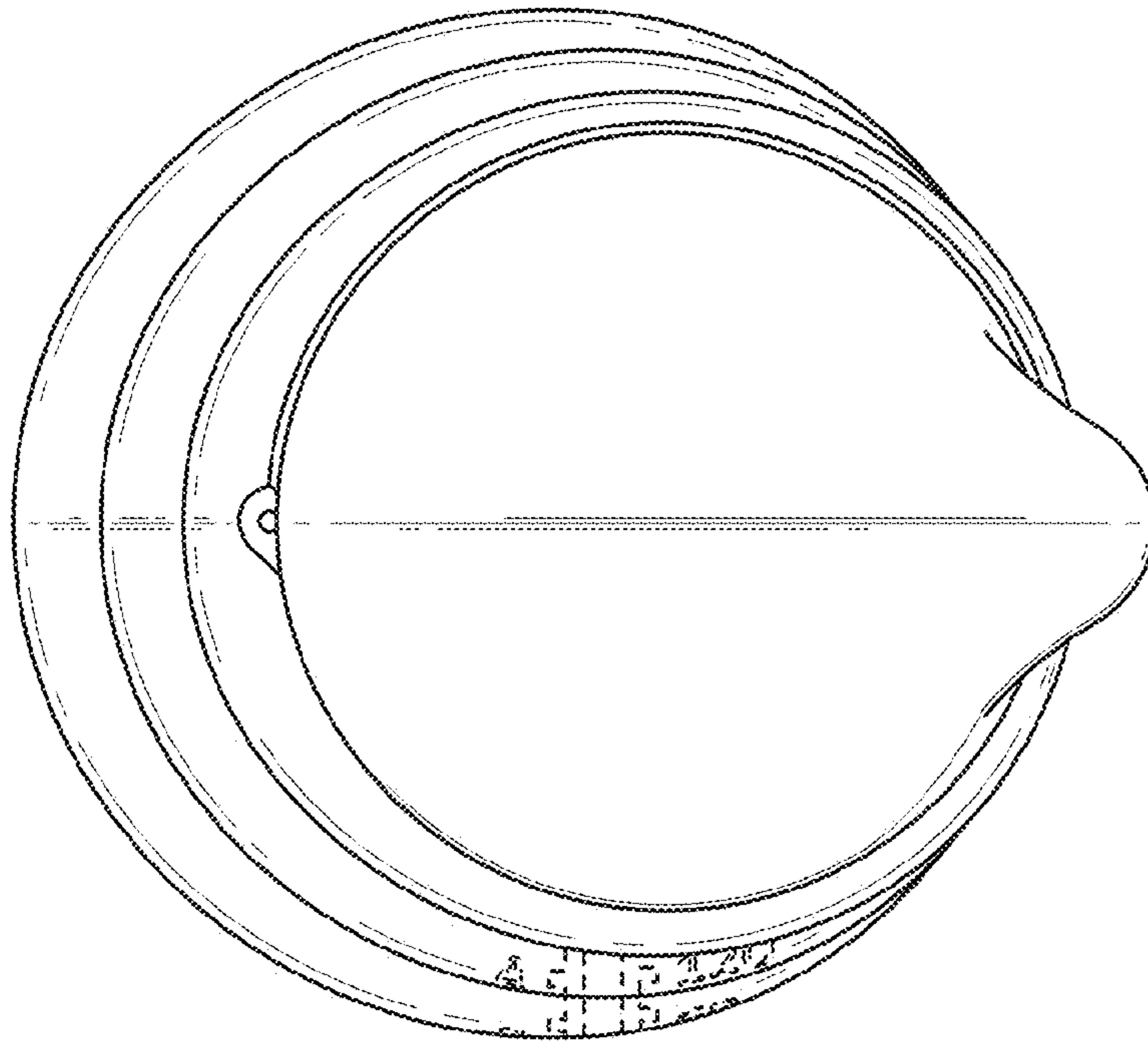


FIG. 6

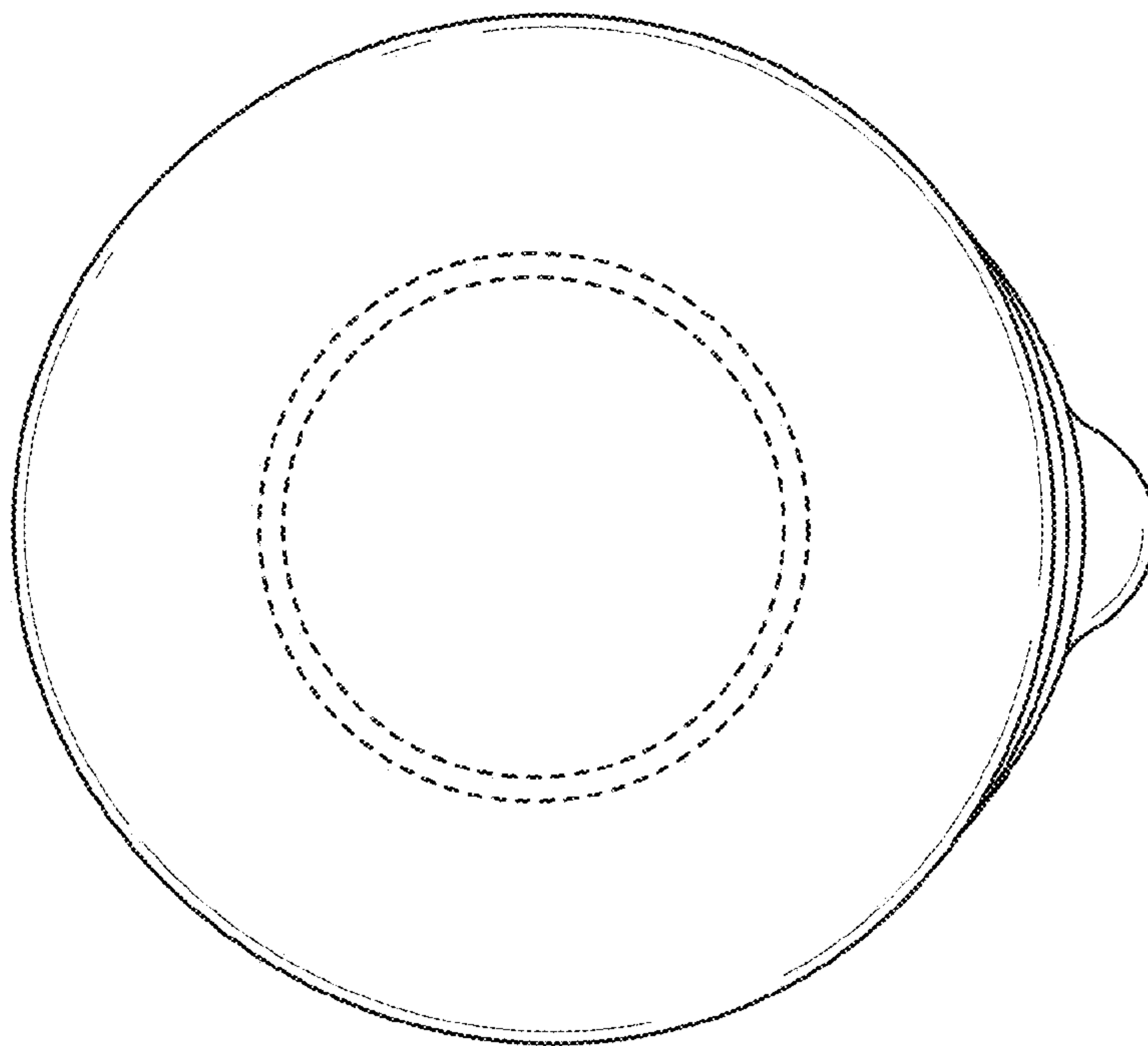


FIG. 7

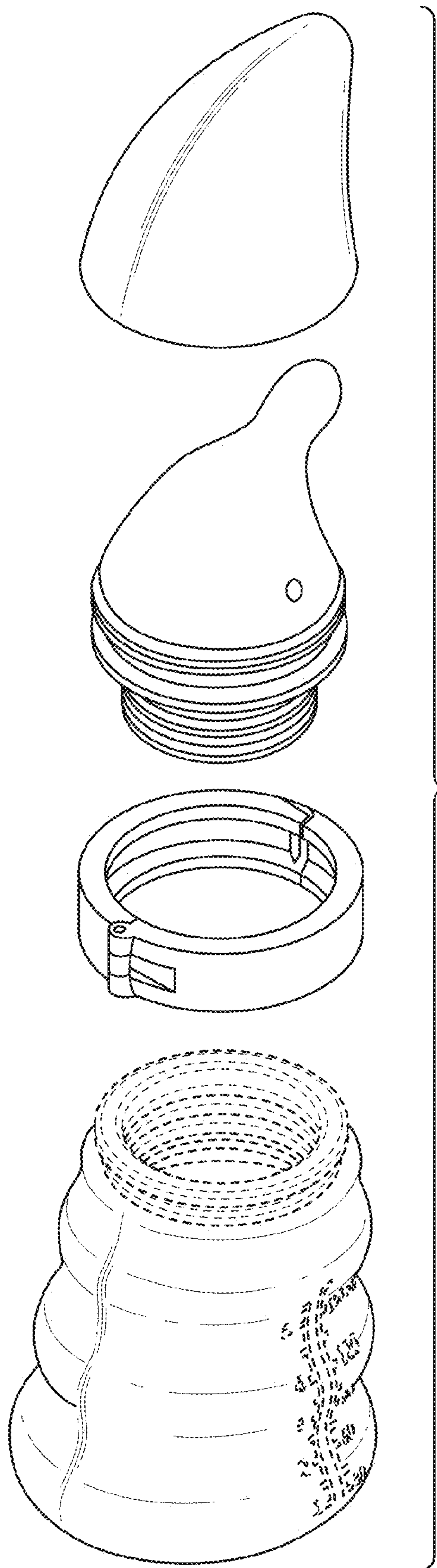


FIG. 8