



US00D976415S

(12) **United States Design Patent**
Keeler

(10) **Patent No.:** **US D976,415 S**
(45) **Date of Patent:** **** Jan. 24, 2023**

- (54) **MESSAGE TABLE**
- (71) Applicant: **Lyla Jean Keeler**, Woodland Park, CO (US)
- (72) Inventor: **Lyla Jean Keeler**, Woodland Park, CO (US)
- (**) Term: **15 Years**
- (21) Appl. No.: **29/864,129**
- (22) Filed: **May 10, 2022**

6,934,988 B1 * 8/2005 Wetzler A61H 37/00
5/621

6,938,287 B1 * 9/2005 Mahshie A47C 17/66
5/735

7,472,441 B1 1/2009 Steffensmeier

D596,298 S * 7/2009 Cox D24/183

7,650,177 B2 1/2010 Hoarau

D656,618 S * 3/2012 Gorovitz D24/183

8,133,260 B1 3/2012 Kellner

8,272,089 B1 * 9/2012 Stokes A61G 13/1235
5/735

D815,461 S 4/2018 Christmas

D817,033 S * 5/2018 Christmas D6/605

D933,833 S * 10/2021 Brusafferri D24/183

(Continued)

Related U.S. Application Data

- (62) Division of application No. 29/736,389, filed on May 29, 2020, now Pat. No. Des. 955,584.
- (60) Provisional application No. 62/855,137, filed on May 31, 2019.
- (51) **LOC (14) Cl.** **24-02**
- (52) **U.S. Cl.**
USPC **D24/183**
- (58) **Field of Classification Search**
USPC D24/107, 158-161, 183-184, 187, 200,
D24/201; D6/595-596, 601, 604-605,
D6/336-337, 382, 384
CPC A61M 16/101; A61H 1/00; A61G 13/009;
A61G 13/121
See application file for complete search history.

FOREIGN PATENT DOCUMENTS

CN 202030152613.3 3/2021

OTHER PUBLICATIONS

Wooden massage table. Online, published date unknown. Retrieved on Nov. 14, 2021 from URL: <https://www.salonfurniturecheap.com/product/wooden-massage-table.html>.

Primary Examiner — Omeed Agilee
(74) *Attorney, Agent, or Firm* — Martensen IP; Michael C. Martensen

(57) **CLAIM**

The ornamental design for a massage table, as shown and described.

DESCRIPTION

FIG. 1 is an upper perspective view of a massage table; FIG. 2 is a lower perspective view thereof; FIG. 3 is a side view thereof; FIG. 4 is a view of other side thereof; FIG. 5 is a back view thereof; FIG. 6 is a front view thereof; FIG. 7 is a top view thereof; and, FIG. 8 is a bottom view thereof.

1 Claim, 8 Drawing Sheets

(56) **References Cited**

U.S. PATENT DOCUMENTS

D33,763 S 12/1900 Meinecke

3,884,225 A * 5/1975 Witter A61G 7/1023
128/889

D334,982 S * 4/1993 Riach D24/185

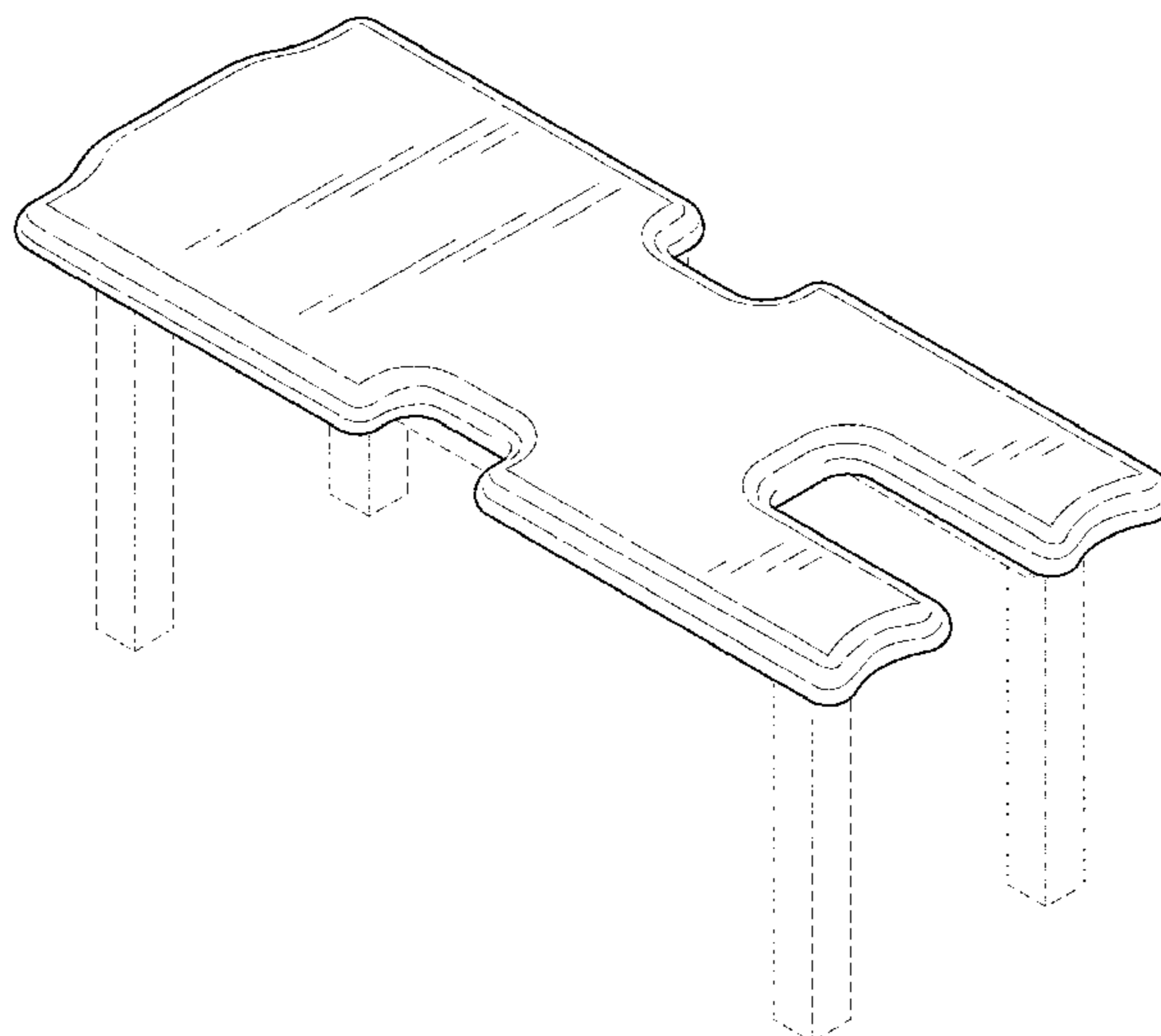
5,846,212 A 12/1998 Beeuwkes, III

5,860,174 A 1/1999 Failor

D418,689 S 1/2000 Royston

D462,439 S 9/2002 Montgomery

D495,541 S * 9/2004 Lipsztein D6/707.22



(56)

References Cited

U.S. PATENT DOCUMENTS

D955,584 S * 6/2022 Keeler D24/183
2007/0073128 A1 * 3/2007 Hoarau A61B 5/6844
600/340
2010/0299835 A1 * 12/2010 Andrews A61G 13/009
5/622
2020/0141533 A1 * 5/2020 Booth A61G 13/10
2021/0298499 A1 9/2021 Kim

* cited by examiner

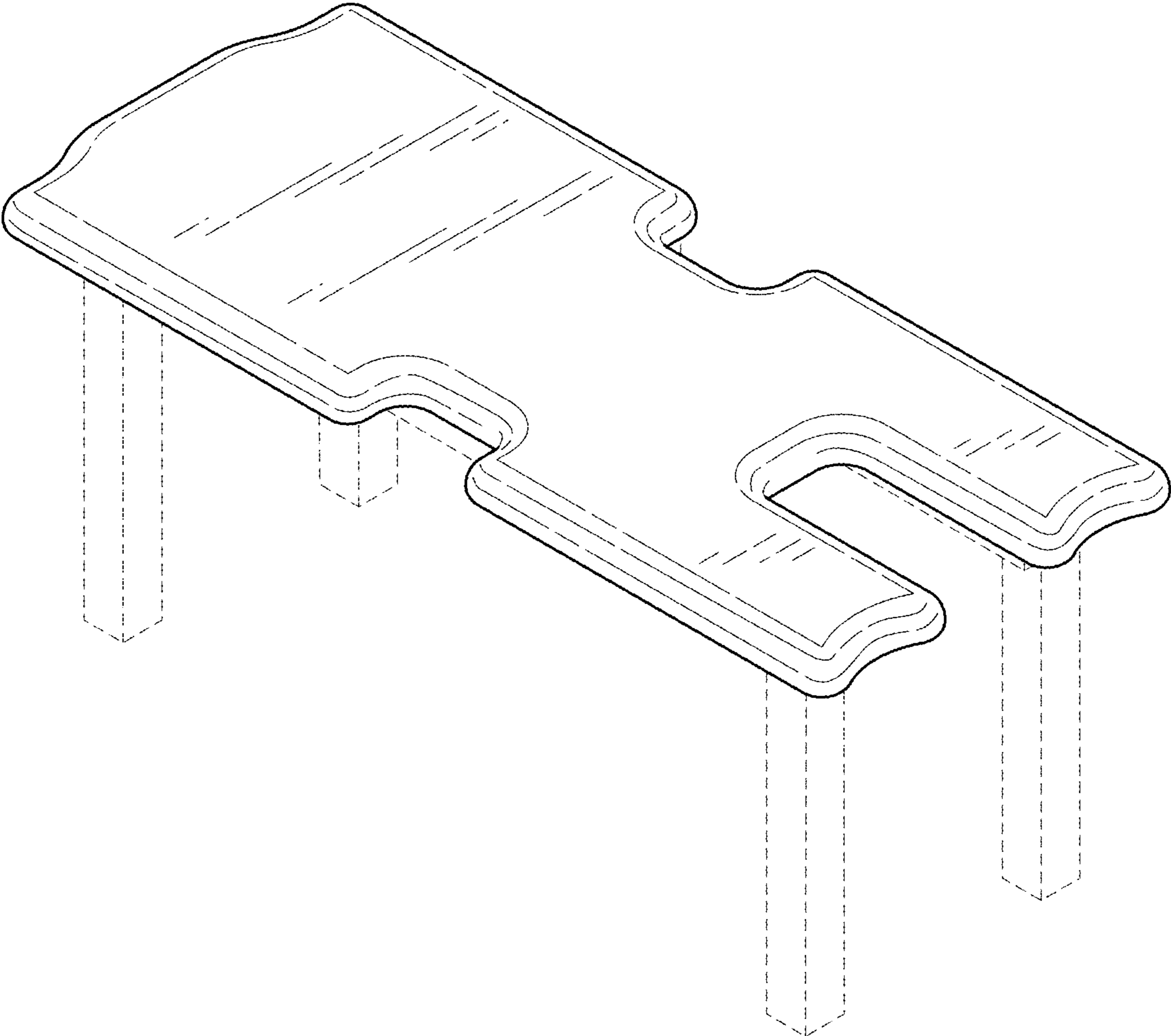


FIG.1

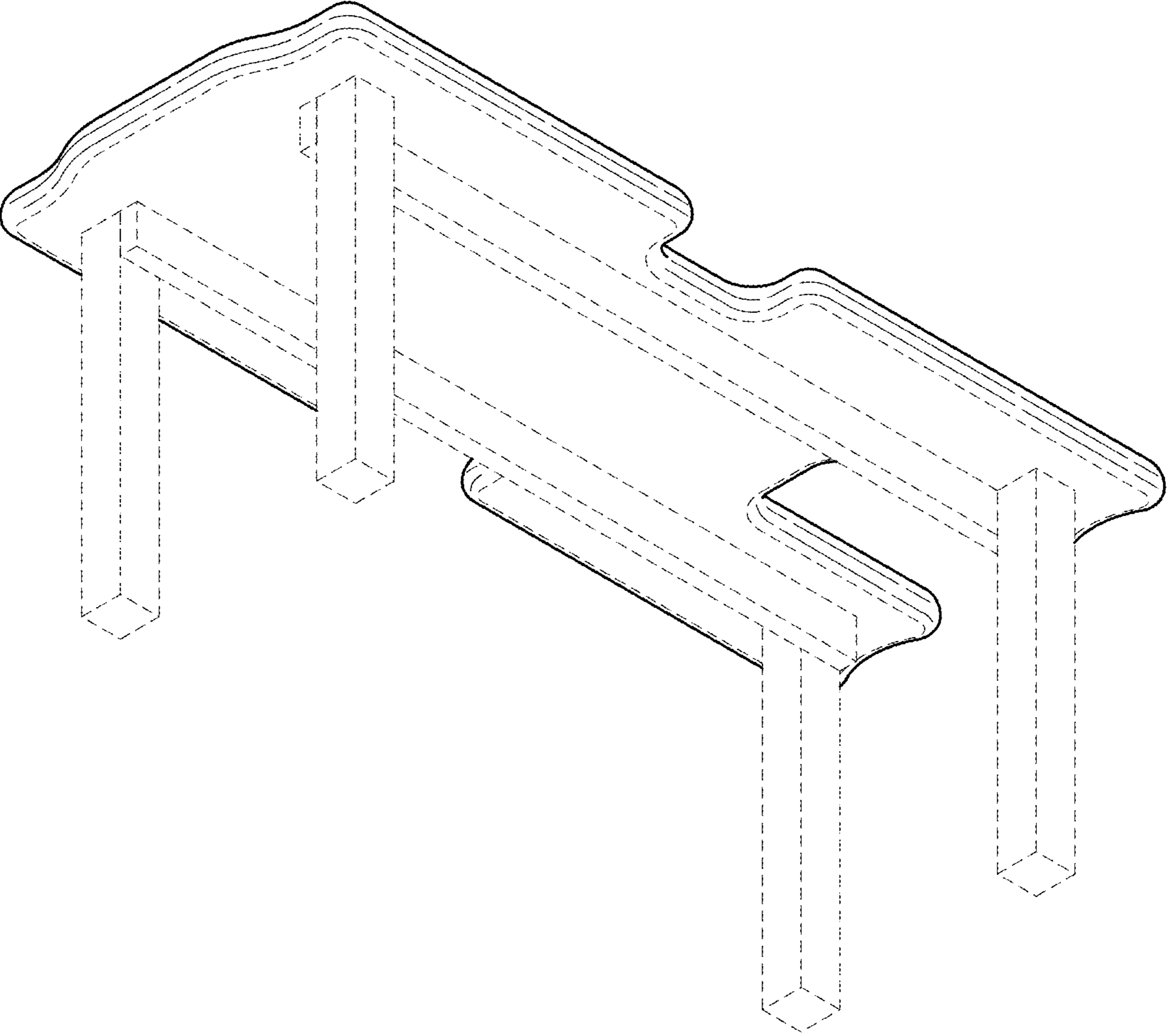


FIG.2

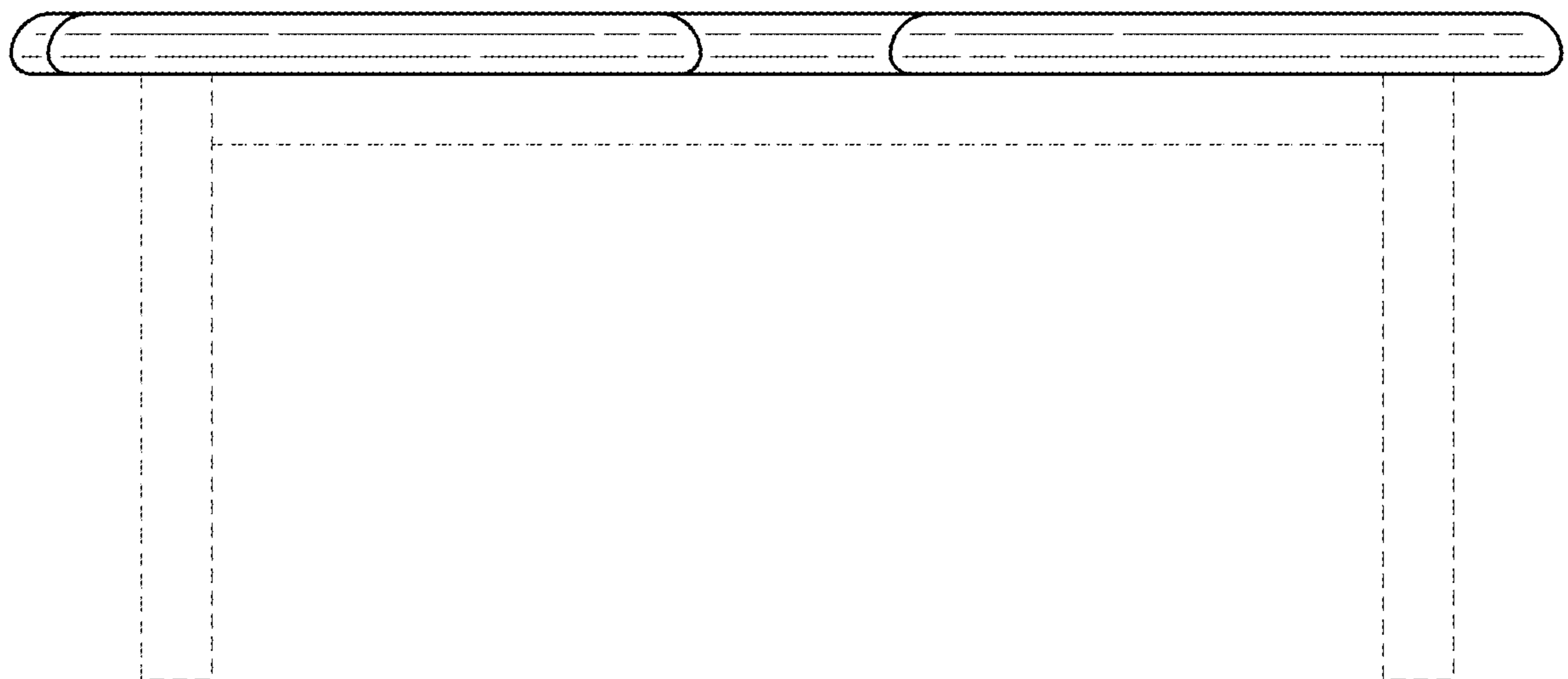


FIG.3



FIG.4

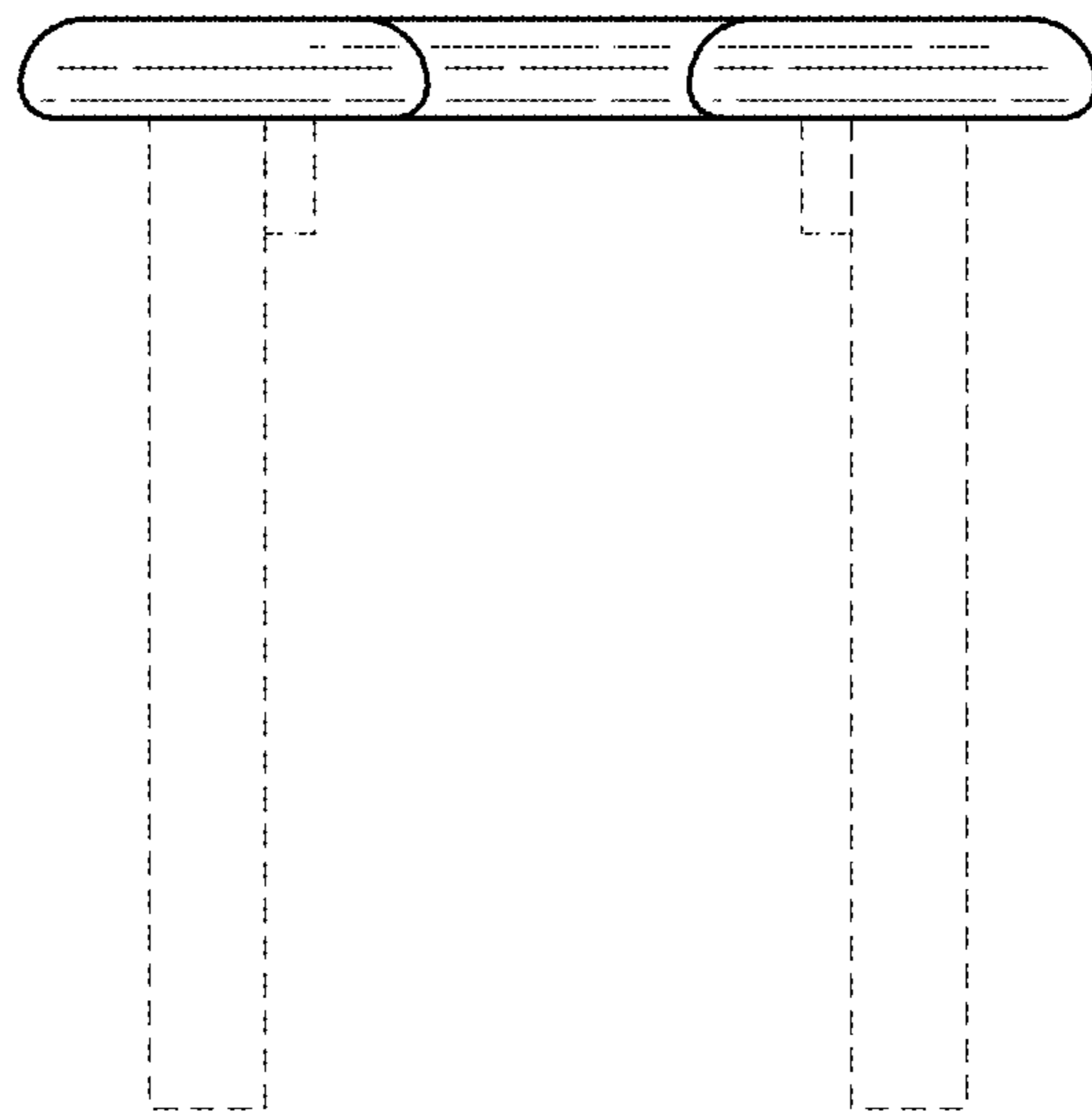


FIG.5

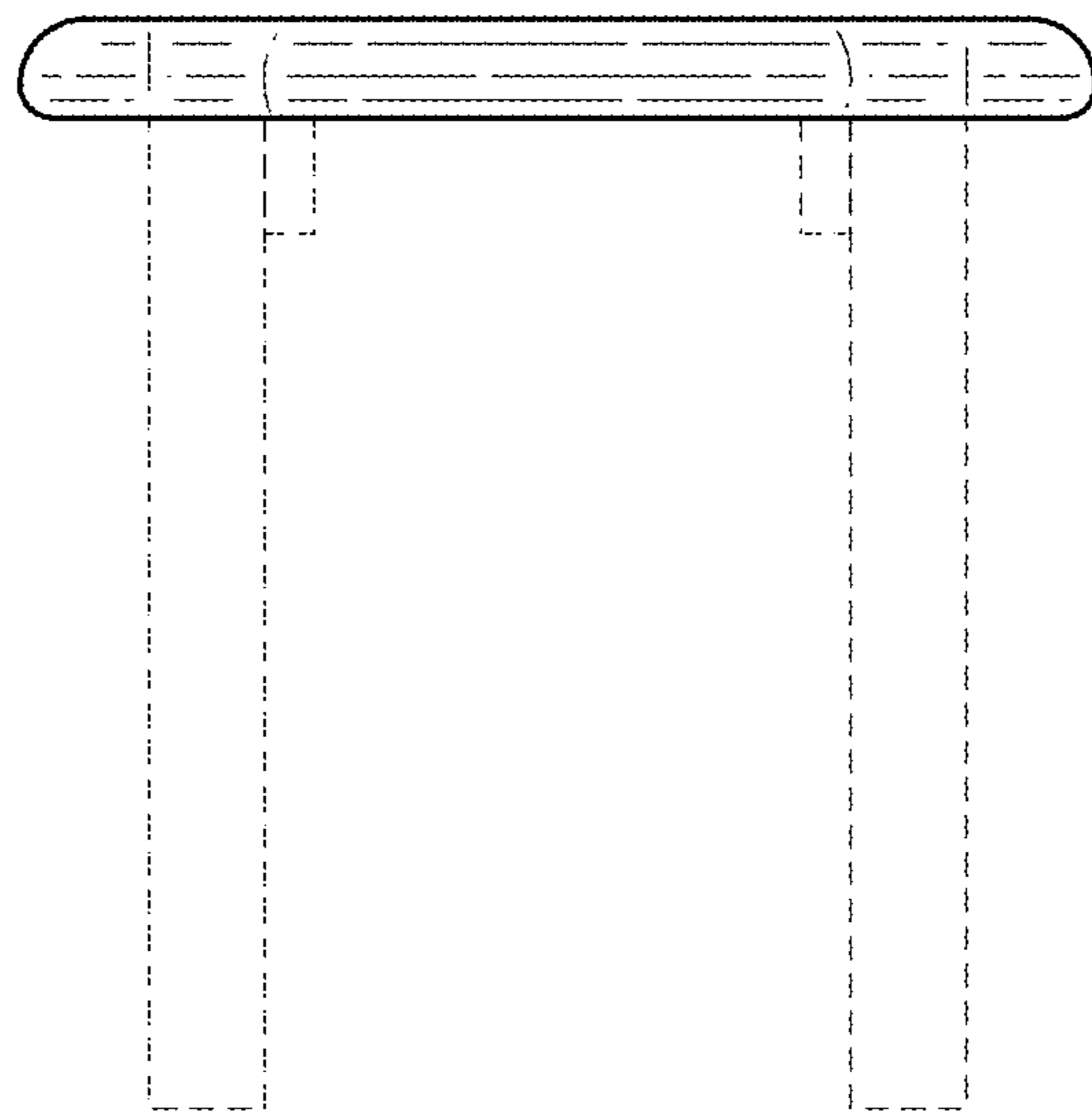


FIG.6

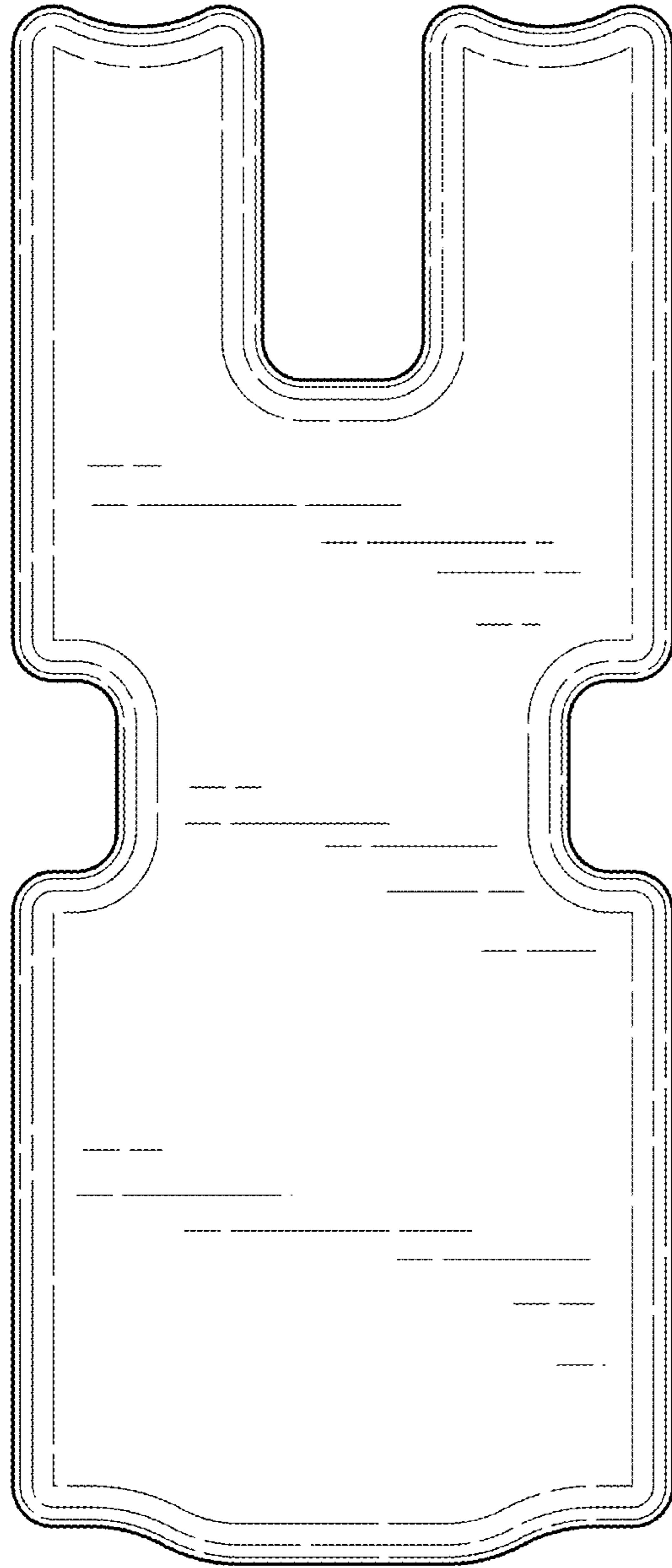


FIG. 7

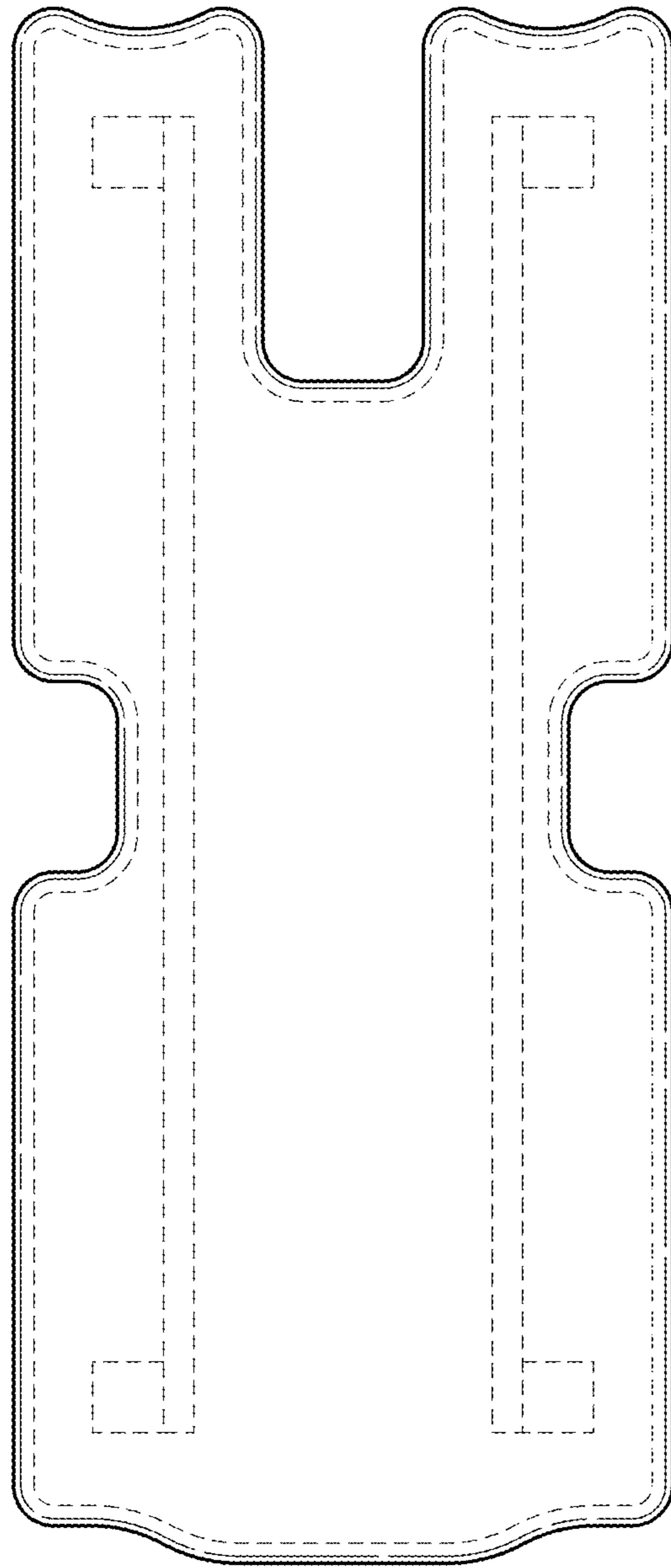


FIG. 8