



US00D976412S

(12) **United States Design Patent**
Park et al.

(10) **Patent No.:** **US D976,412 S**

(45) **Date of Patent:** **** Jan. 24, 2023**

(54) **HEARING AID**

(71) Applicants: **Kwan Shik Park**, Jeonju-si (KR); **Min Woo Park**, Jeonju-si (KR)

(72) Inventors: **Kwan Shik Park**, Jeonju-si (KR); **Min Woo Park**, Jeonju-si (KR)

(**) Term: **15 Years**

(21) Appl. No.: **35/511,600**

(22) Filed: **Jan. 28, 2021**

(80) **Hague Agreement Data**

Int. Filing Date: **Jan. 28, 2021**

Int. Reg. No.: **DM/213168**

Int. Reg. Date: **Jan. 28, 2021**

Int. Reg. Pub. Date: **Mar. 26, 2021**

(30) **Foreign Application Priority Data**

Jul. 28, 2020 (KR) 30-2020-0034938

(51) **LOC (14) Cl.** **24-99**

(52) **U.S. Cl.**
USPC **D24/174**

(58) **Field of Classification Search**
USPC D14/188, 192, 205, 206, 223; D24/105,
D24/106, 173, 174; D28/9, 99
CPC A61F 11/00; A61F 11/08; A61F 11/10;
A61F 11/085
See application file for complete search history.

(56) **References Cited**

U.S. PATENT DOCUMENTS

- 4,830,139 A * 5/1989 Cirillo H04R 25/604
381/328
- D375,556 S * 11/1996 Narisawa D24/174
- D377,796 S * 2/1997 Hayashi D14/206
- D405,528 S * 2/1999 Shennib D24/174
- D574,814 S * 8/2008 Hammond D14/223

- D728,107 S * 4/2015 Torres Martin D24/174
- D822,009 S * 7/2018 Matoba D14/223
- D832,824 S * 11/2018 Kim D14/223
- D870,707 S * 12/2019 Yang D14/223
- D888,691 S * 6/2020 Liu D14/223
- D889,441 S * 7/2020 Lin D14/223
- D893,461 S * 8/2020 Gu D14/223
- D895,580 S * 9/2020 Yu D14/223
- D902,182 S * 11/2020 Wang D14/223
- D906,295 S * 12/2020 Zheng D14/223
- D947,774 S * 4/2022 Zhang D14/205
- D947,817 S * 4/2022 Nakamura D14/223
- D948,483 S * 4/2022 Yoneyama D14/223
- D953,536 S * 5/2022 Xia D24/174

OTHER PUBLICATIONS

Amazon. Samsung Galaxy Buds, Bluetooth True Wireless Earbuds with Wireless Charging Case (Renewed). Jun. 26, 2019. <https://www.amazon.com/Samsung-Galaxy-Buds-Bluetooth-Wireless/dp/B07TQS33TM> (Year: 2019).*

(Continued)

Primary Examiner — Darcey E Gottschalk

(74) *Attorney, Agent, or Firm* — The PL Law Group, PLLC

(57) **CLAIM**

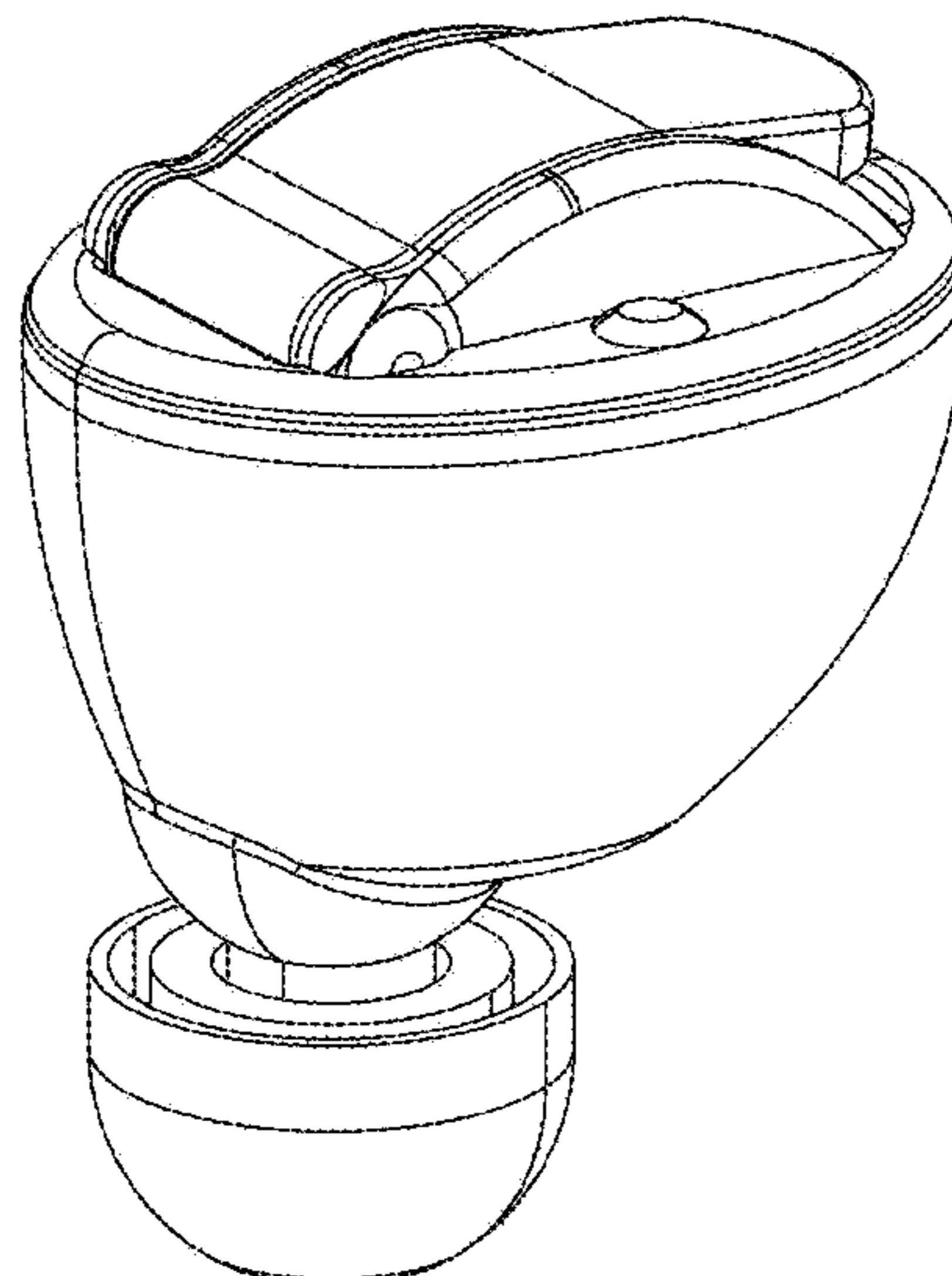
The ornamental design for a hearing aid, as shown and described.

DESCRIPTION

- 1. Hearing aid
- 1.1 : Perspective
- 1.2 : Front
- 1.3 : Back
- 1.4 : Left
- 1.5 : Right
- 1.6 : Top
- 1.7 : Bottom

The broken lines depict portions of the hearing aid that form no part of the claim.

1 Claim, 7 Drawing Sheets



(56)

References Cited

OTHER PUBLICATIONS

The Guardian. Best true wireless earbuds 2020: AirPods, Samsung, Jabra, Bose, Beats and Anker compared and ranked. May 1, 2019. <https://www.theguardian.com/technology/2019/may/01/best-true-wireless-earbuds-airpods-samsung-jabra-sennheiser-anker-compared-and-ranked> (Year: 2019).*

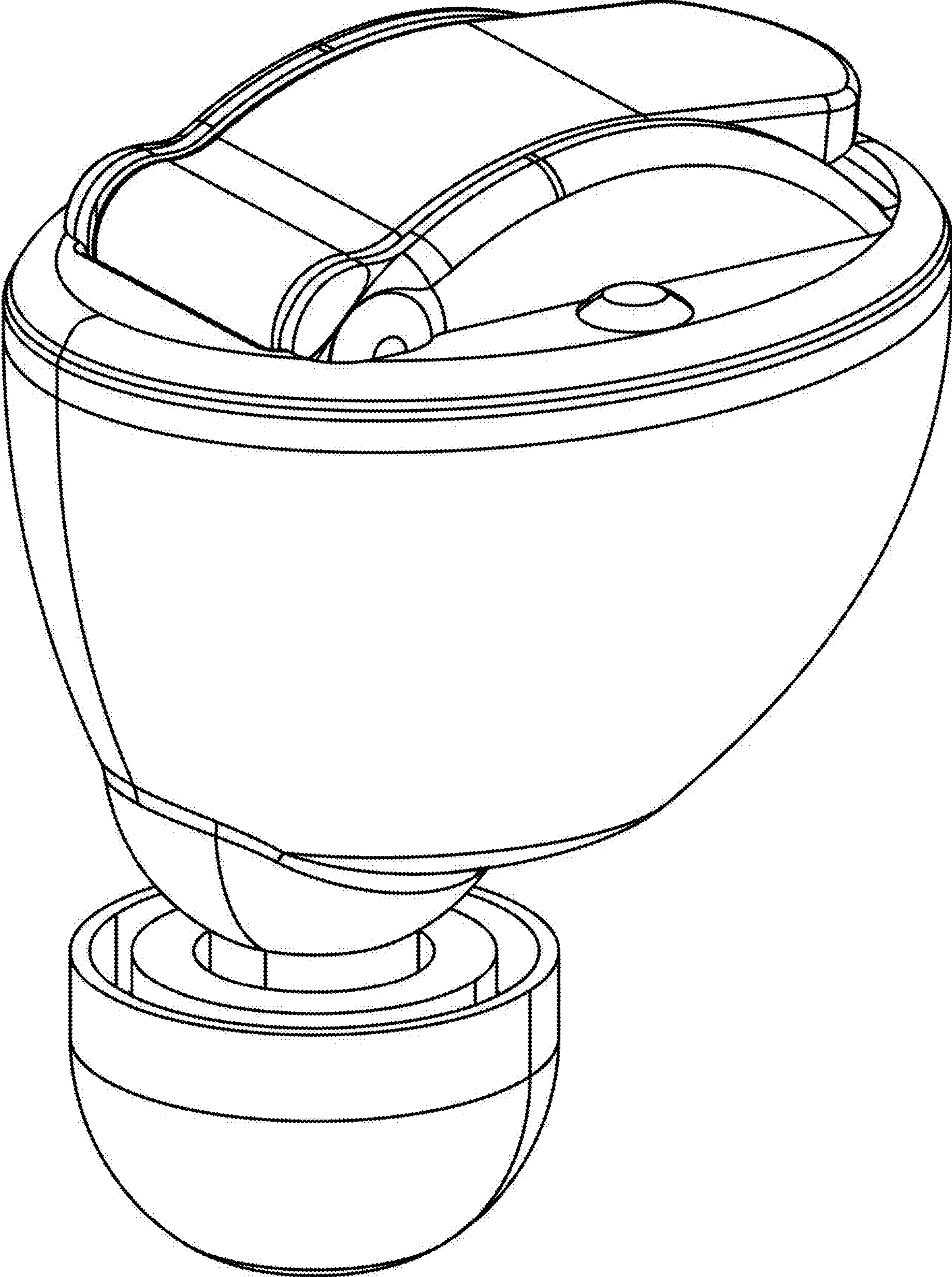
Tech Crunch. Our favorite wireless earbuds. Nov. 1, 2021. <https://tcrn.ch/38Cbzum> (Year: 2021).*

3D Metal Printing Magazine. 3D-Printed Hearing Aid Almost Invisible When Worn. Oct. 29, 2018. <https://www.3dmpmag.com/article/?/applications/medical/3d-printed-hearing-aid-almost-invisible-when-worn> (Year: 2018).*

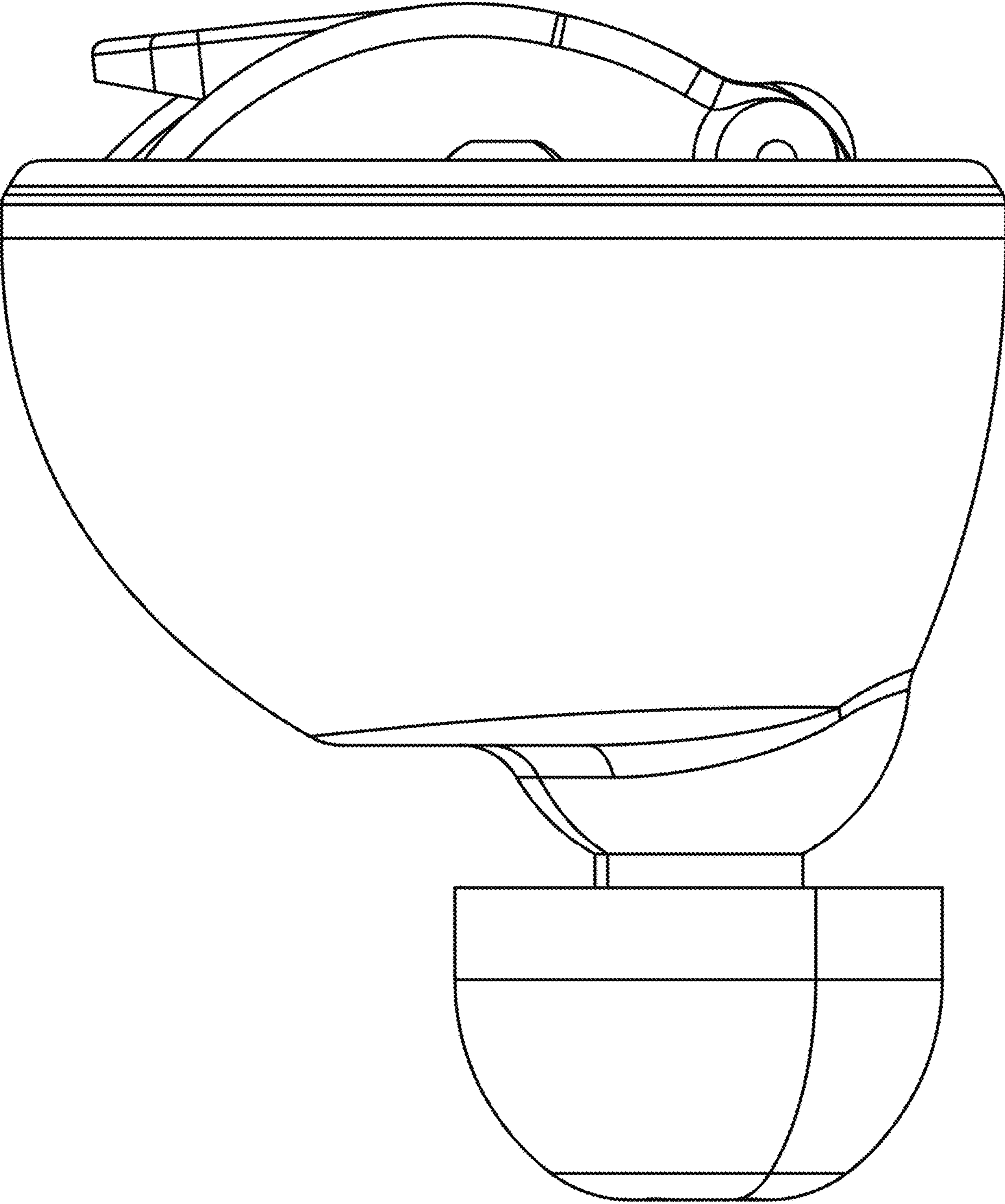
Digital Journal. Custom Hearing Aids Market 2022 to Witness Notable Growth with Covid-19 Analysis, Opportunities, and Future Scope Forecast to 2028: Sivantos Group, Sonova Holding AG, Starkey Hearing Technologies. Apr. 7, 2022. <https://bit.ly/3NWlZPf> (Year: 2022).*

* cited by examiner

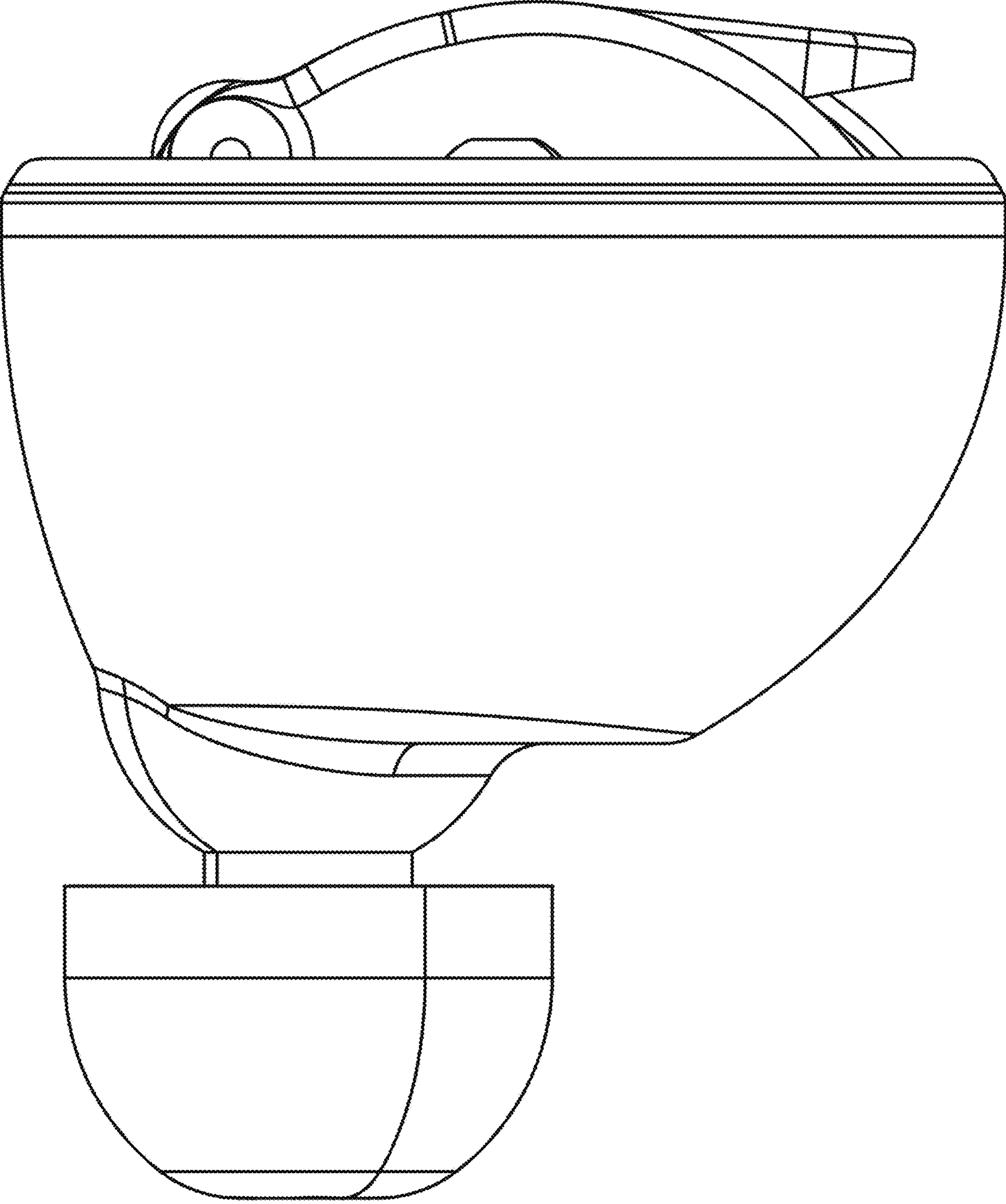
1.1



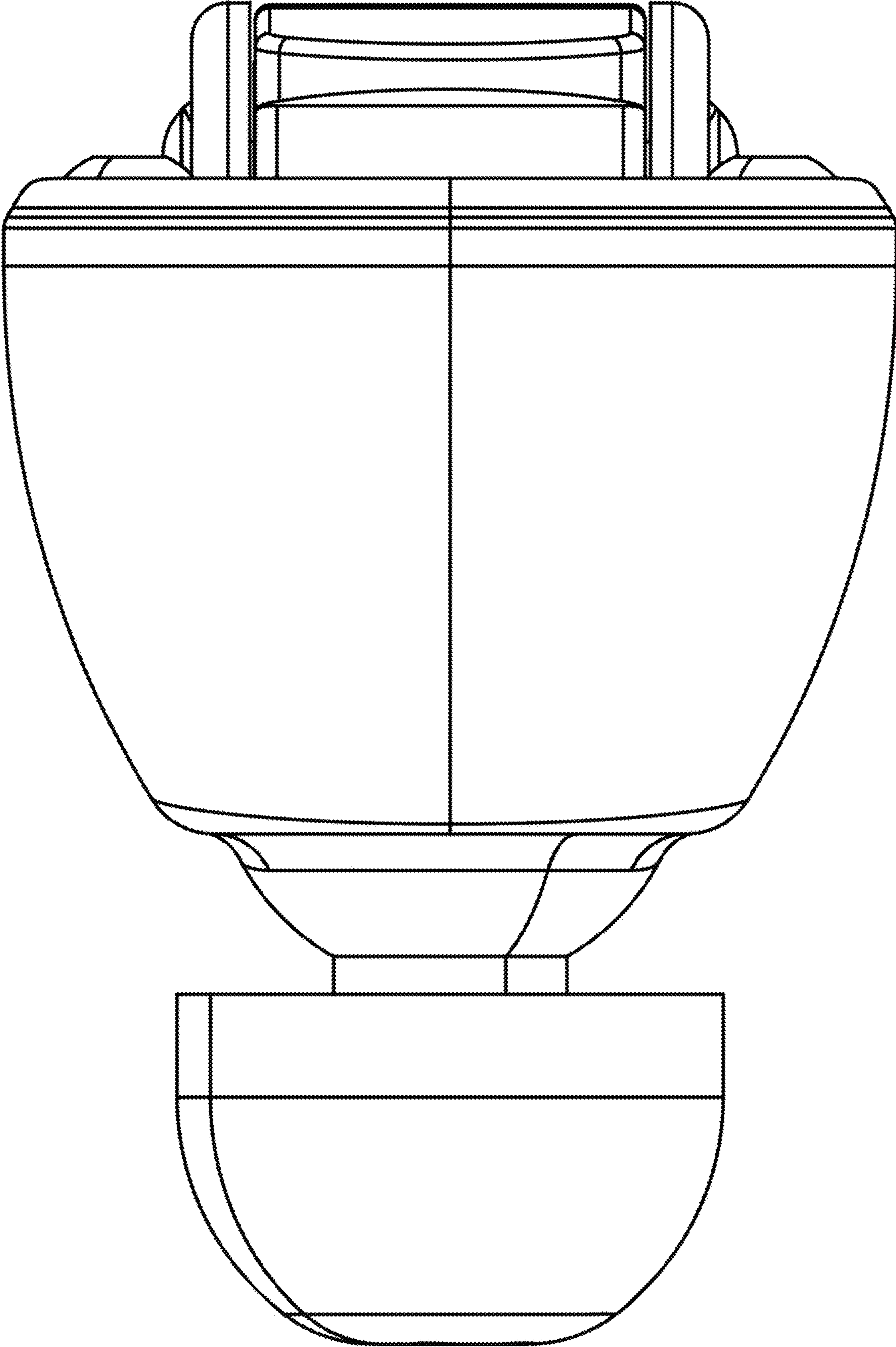
1.2



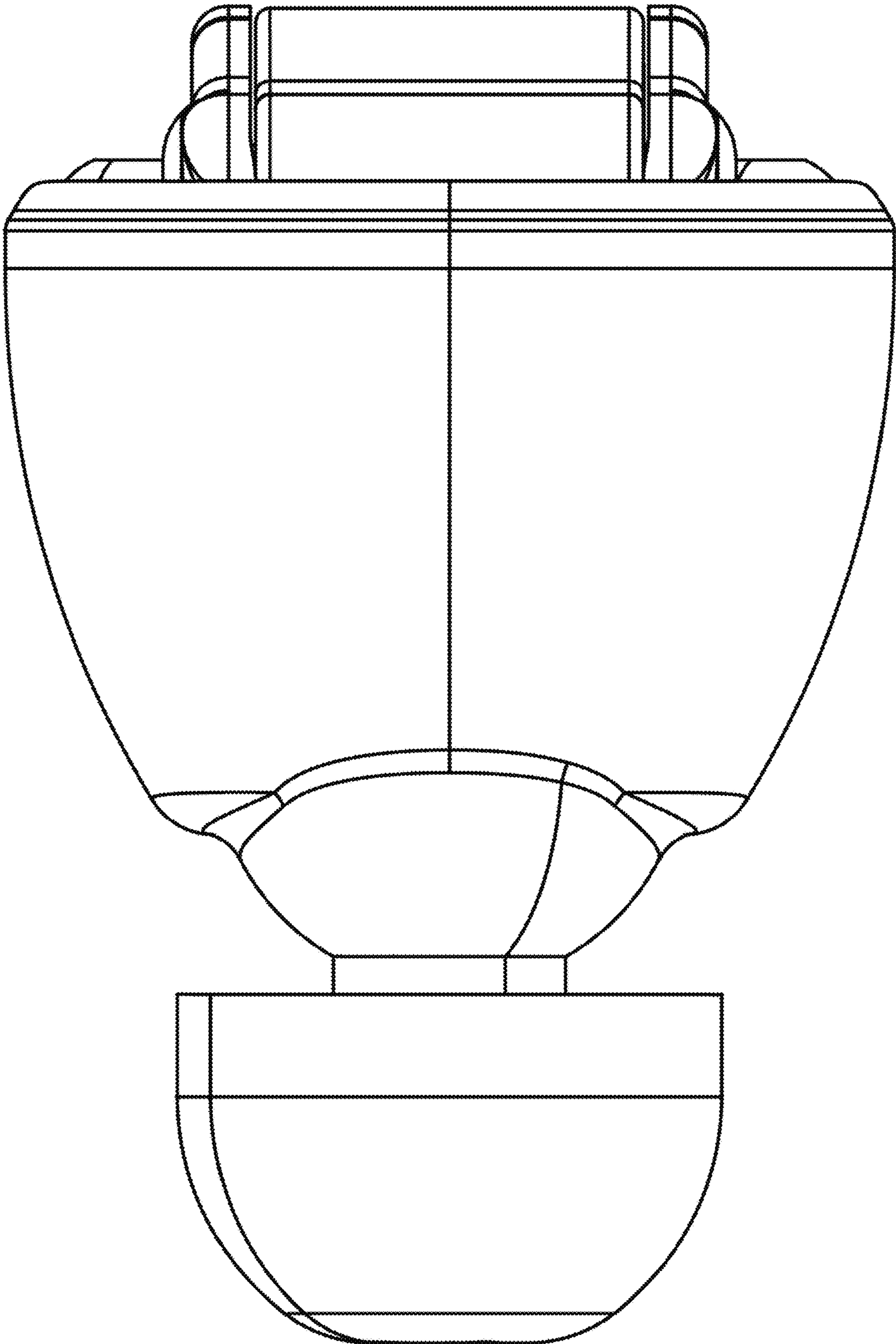
1.3



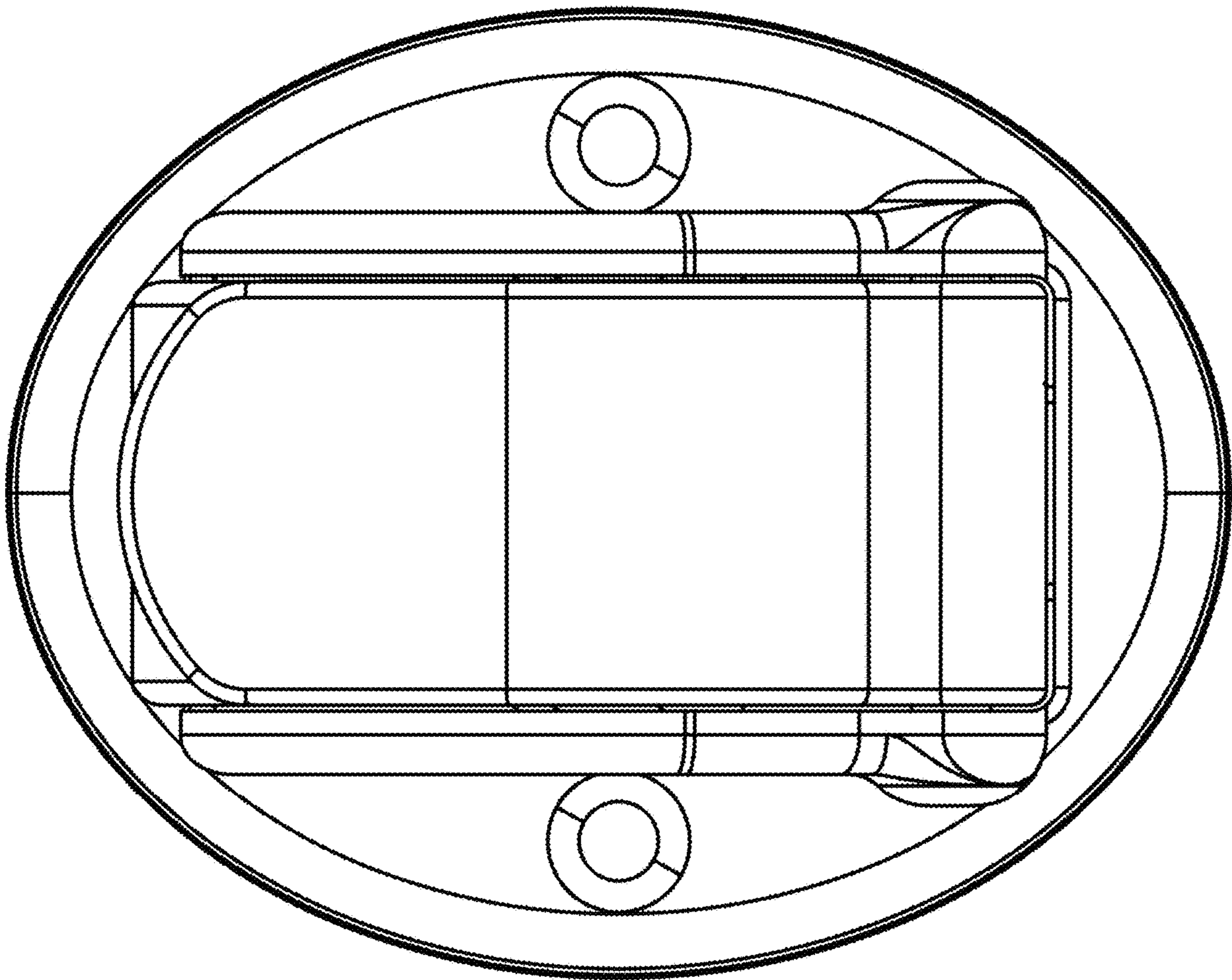
1.4



1.5



1.6



1.7

