



US00D976411S

(12) **United States Design Patent**  
**Pallasmaa**

(10) **Patent No.:** **US D976,411 S**

(45) **Date of Patent:** **\*\* Jan. 24, 2023**

(54) **SENSOR**

(71) Applicant: **GE Precision Healthcare LLC**,  
Milwaukee, WI (US)

(72) Inventor: **Aaro Pallasmaa**, Helsinki (FI)

(73) Assignee: **GE Precision Healthcare LLC**,  
Milwaukee, WI (US)

(\*\*) Term: **15 Years**

(21) Appl. No.: **29/760,769**

(22) Filed: **Dec. 3, 2020**

(51) **LOC (14) Cl.** ..... **24-02**

(52) **U.S. Cl.**  
USPC ..... **D24/167**

(58) **Field of Classification Search**  
USPC ..... D24/169, 165, 167, 168, 107, 185, 186,  
D24/187; D14/341, 344  
CPC ..... A61B 5/462; A61B 5/4405; A61B 5/4411;  
A61B 5/4427; A61B 5/4455; A61B  
5/4472; A61B 5/56; A61B 2560/0431;  
A61B 2560/0462  
See application file for complete search history.

(56) **References Cited**

**U.S. PATENT DOCUMENTS**

D385,283 S \* 10/1997 Snyder ..... D13/108  
D495,055 S \* 8/2004 Silber ..... D24/187

D558,352 S \* 12/2007 Sanfilippo ..... D24/187  
D629,527 S \* 12/2010 Crunkilton ..... D24/187  
D724,749 S \* 3/2015 Koby ..... D24/209  
D782,683 S 3/2017 Singh et al.  
D790,069 S \* 6/2017 Wong ..... D24/187  
D838,855 S \* 1/2019 Lumme ..... D10/70  
D862,709 S \* 10/2019 Besko ..... D24/187  
D889,662 S \* 7/2020 Hubelbank ..... D24/168  
D890,708 S \* 7/2020 Forrest ..... D13/147  
D932,638 S \* 10/2021 McDonough ..... D24/187  
D933,827 S \* 10/2021 Lin ..... D24/169

\* cited by examiner

*Primary Examiner* — Anhdao Doan

(74) *Attorney, Agent, or Firm* — McCoy Russell LLP

(57) **CLAIM**

The ornamental design for a sensor, as shown and described.

**DESCRIPTION**

FIG. 1 is a front-left perspective view of a sensor according to the claimed design.

FIG. 2 is a rear-left perspective view of the sensor.

FIG. 3 is a front view of the sensor.

FIG. 4 is a rear view of the sensor.

FIG. 5 is a right side view of the sensor.

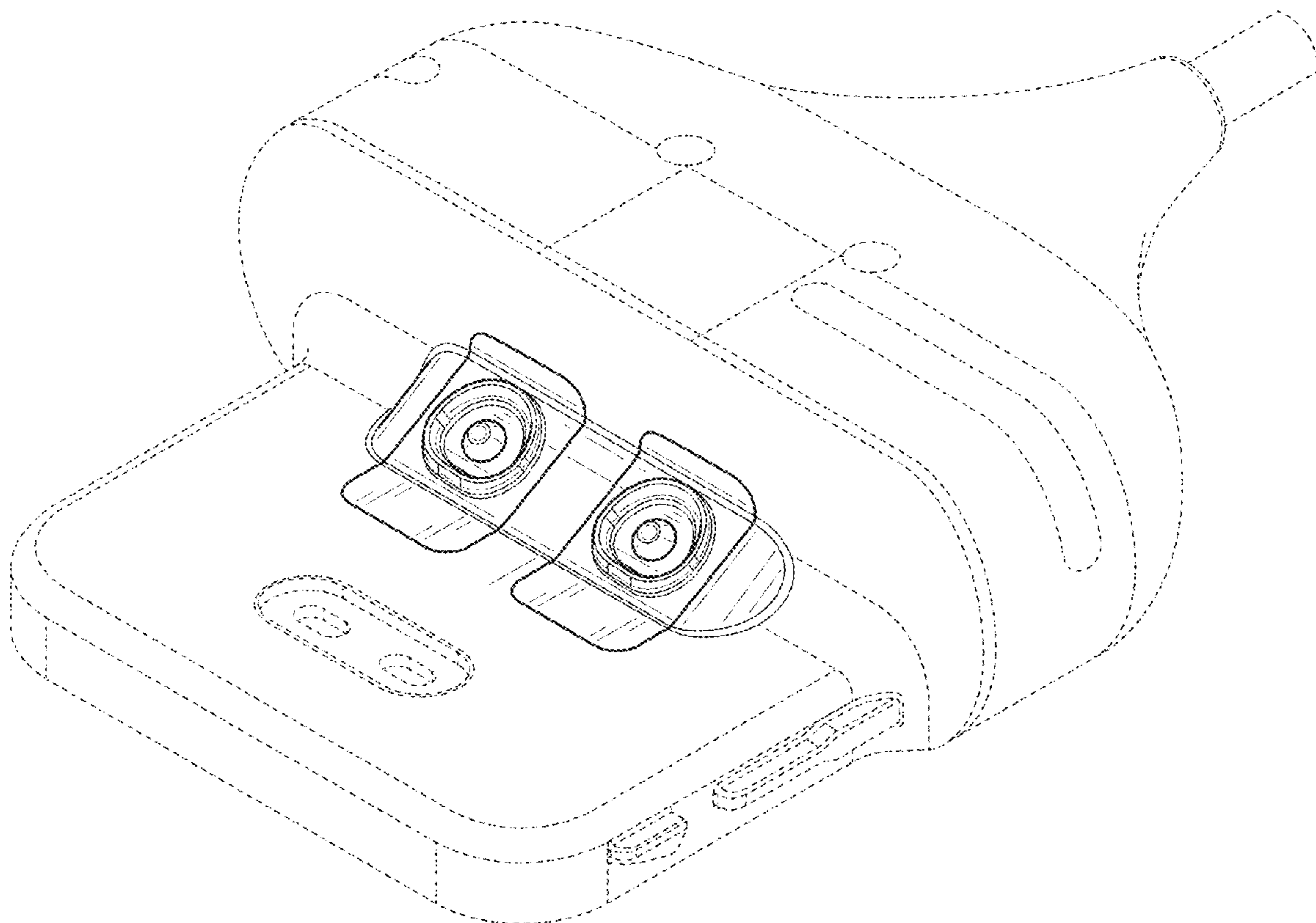
FIG. 6 is a left side view of the sensor.

FIG. 7 is a top view of the sensor; and,

FIG. 8 is a bottom view of the sensor.

The broken lines in the drawings illustrate portions of the sensor that form no part of the claimed design.

**1 Claim, 8 Drawing Sheets**



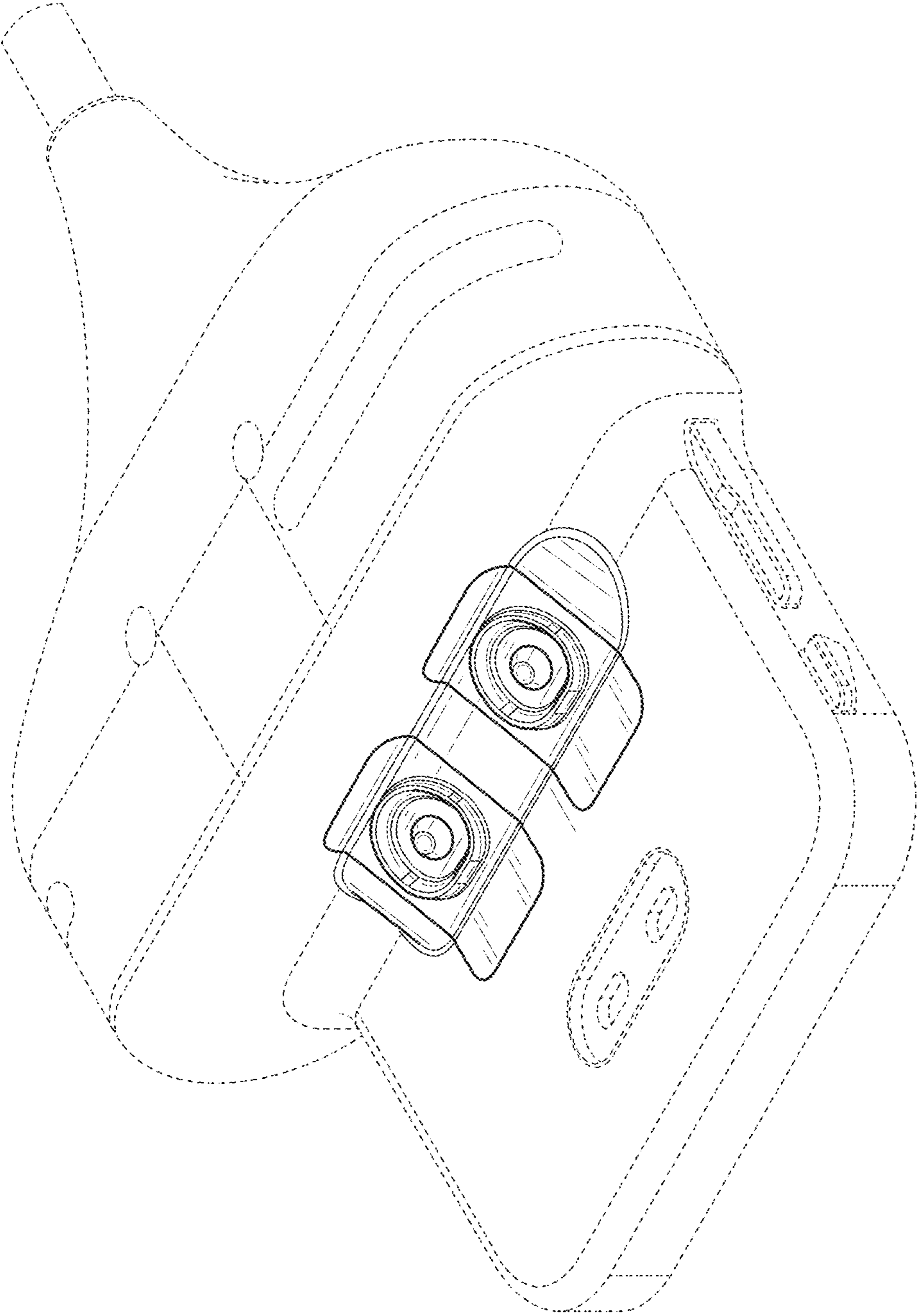


FIG. 1

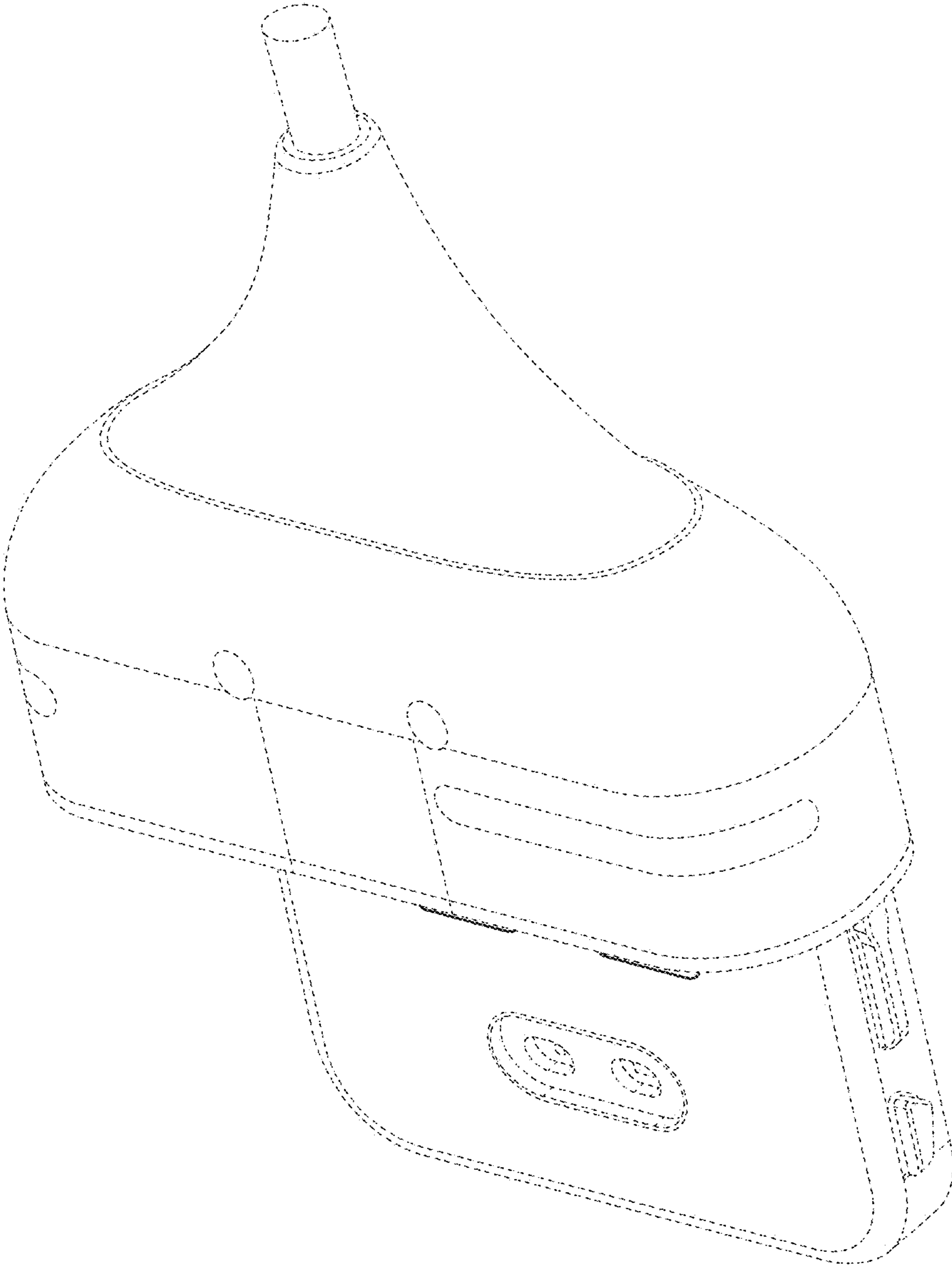


FIG. 2

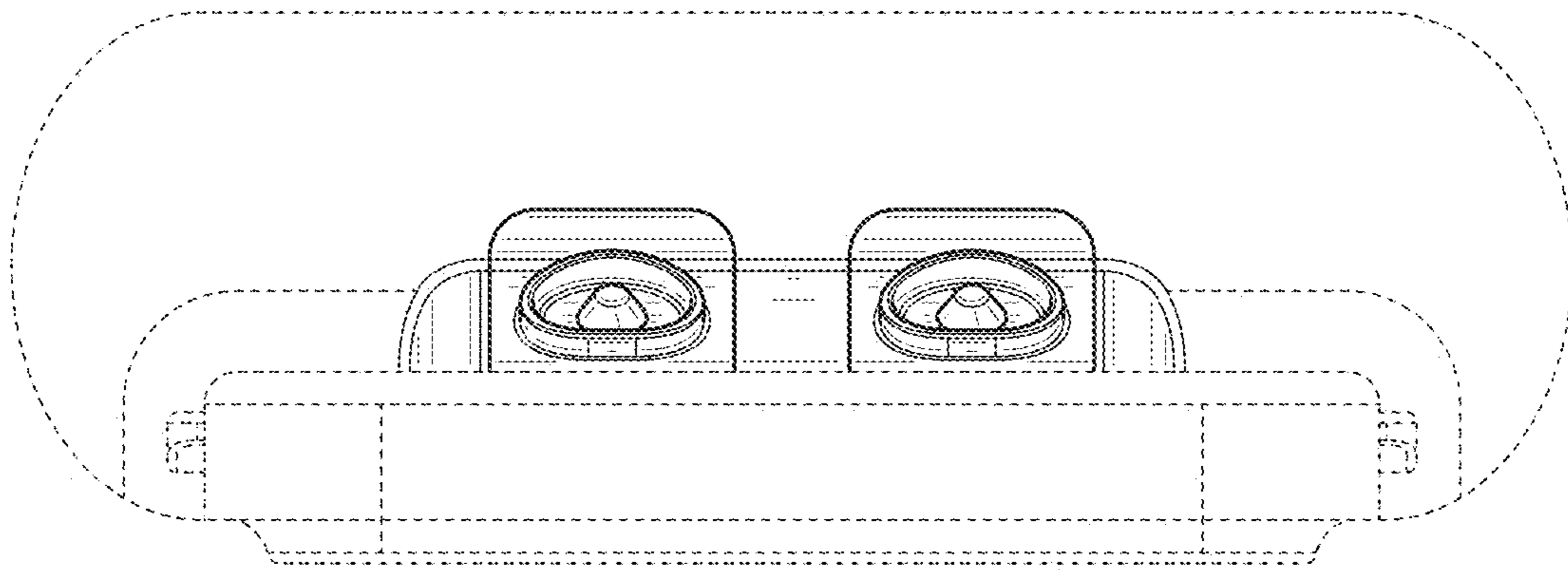


FIG. 3

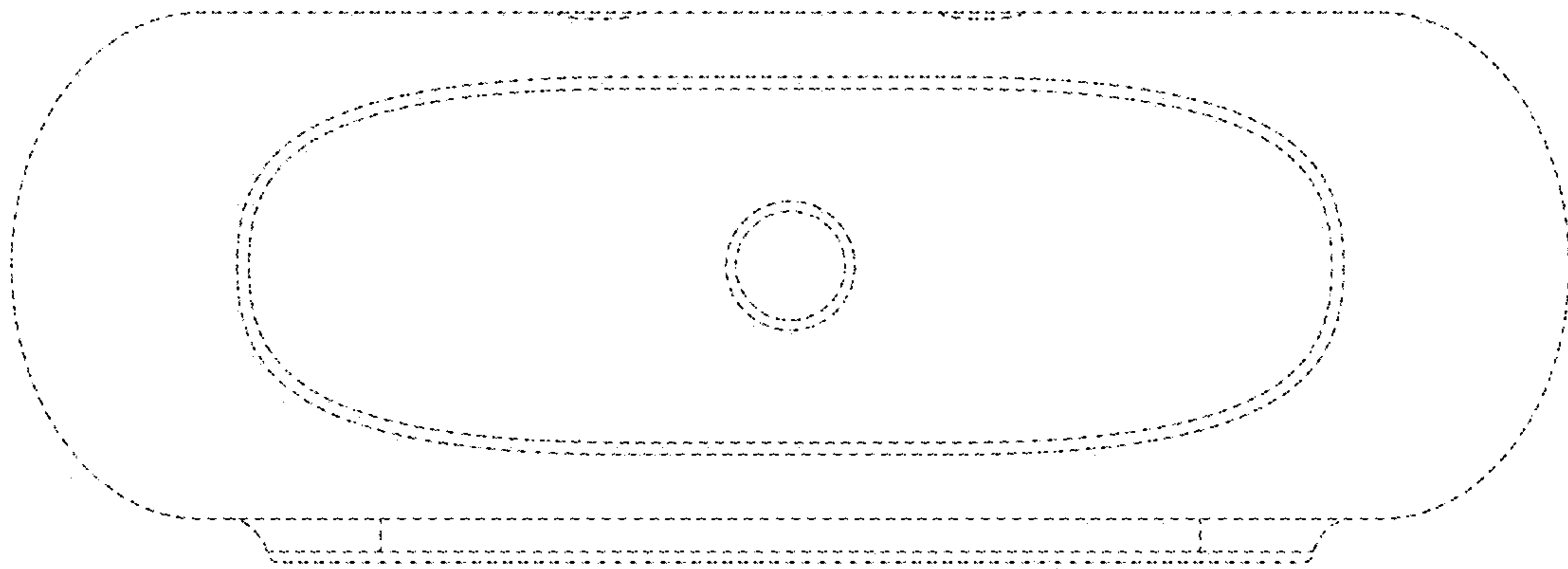


FIG. 4

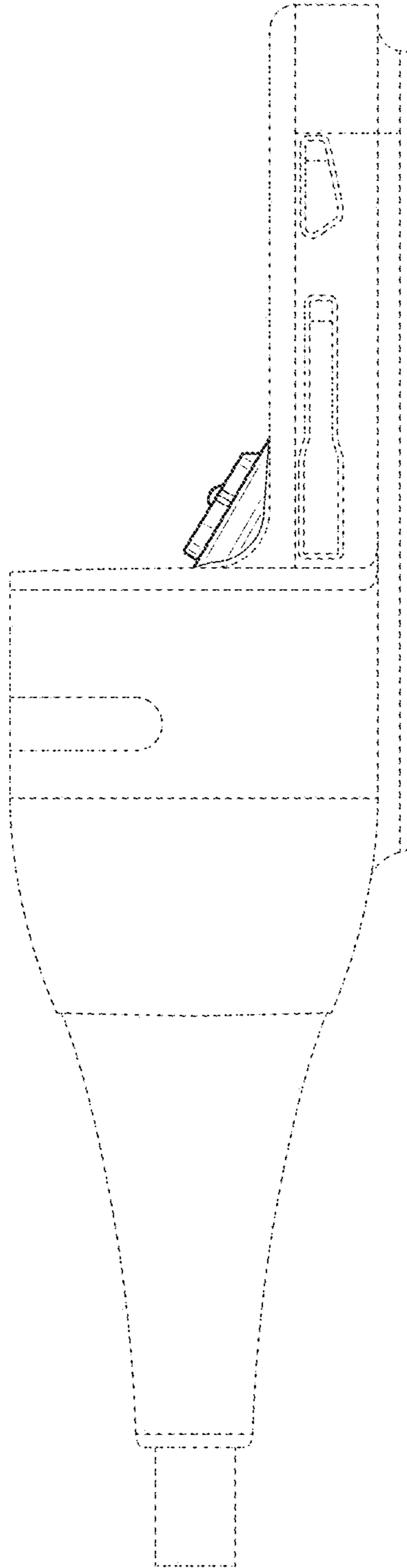


FIG. 5

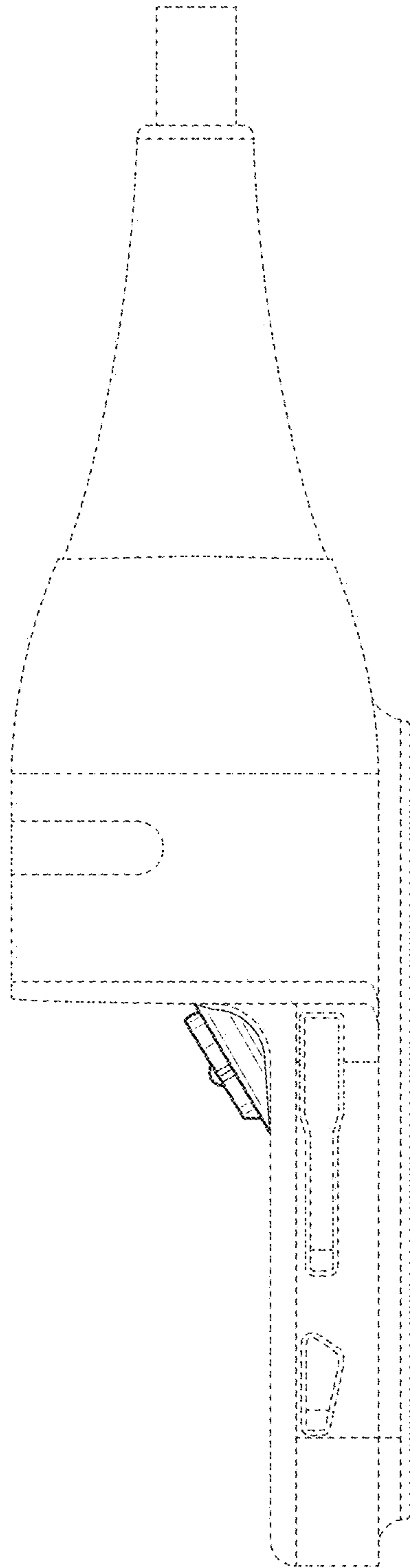


FIG. 6

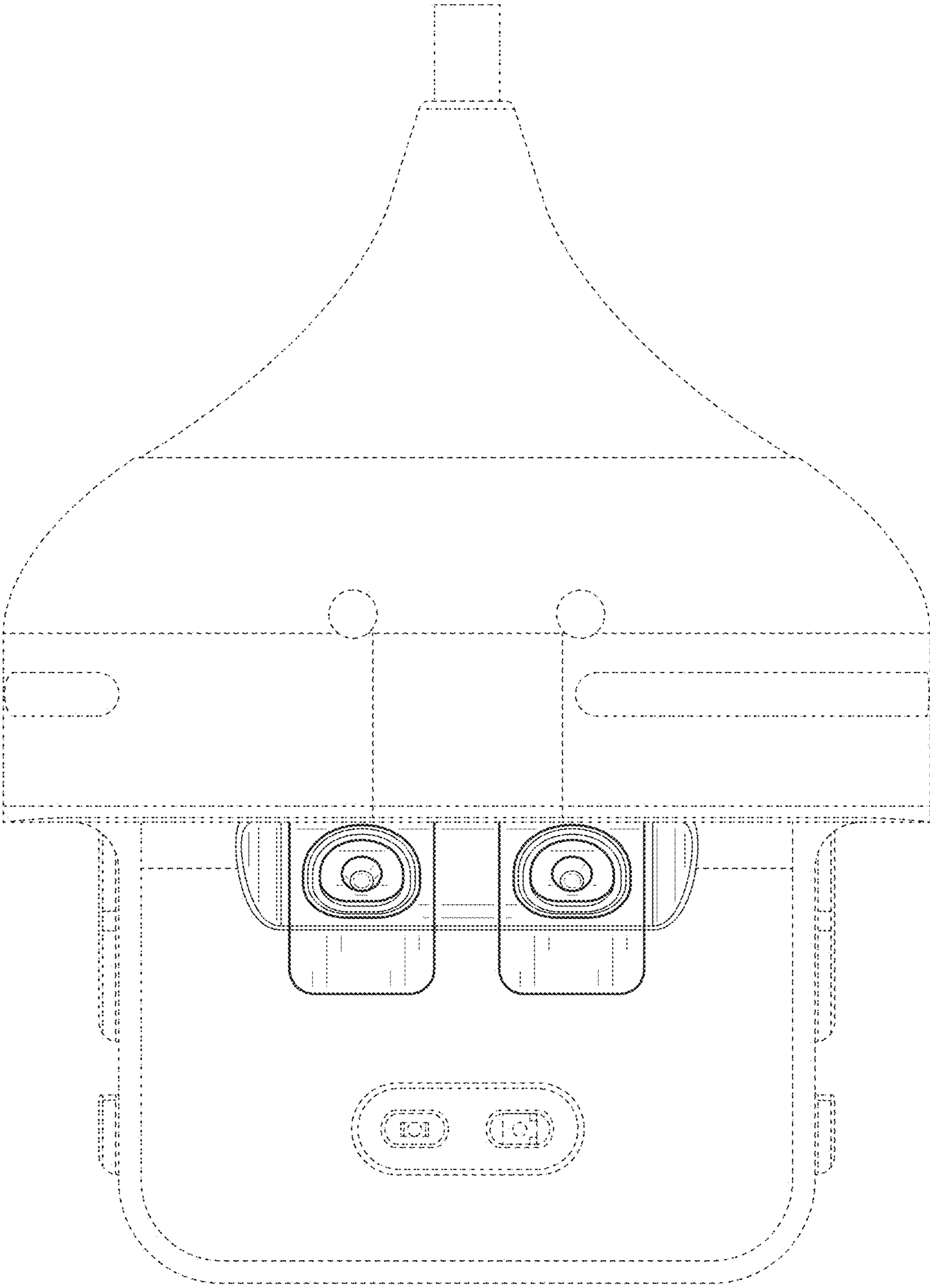


FIG. 7



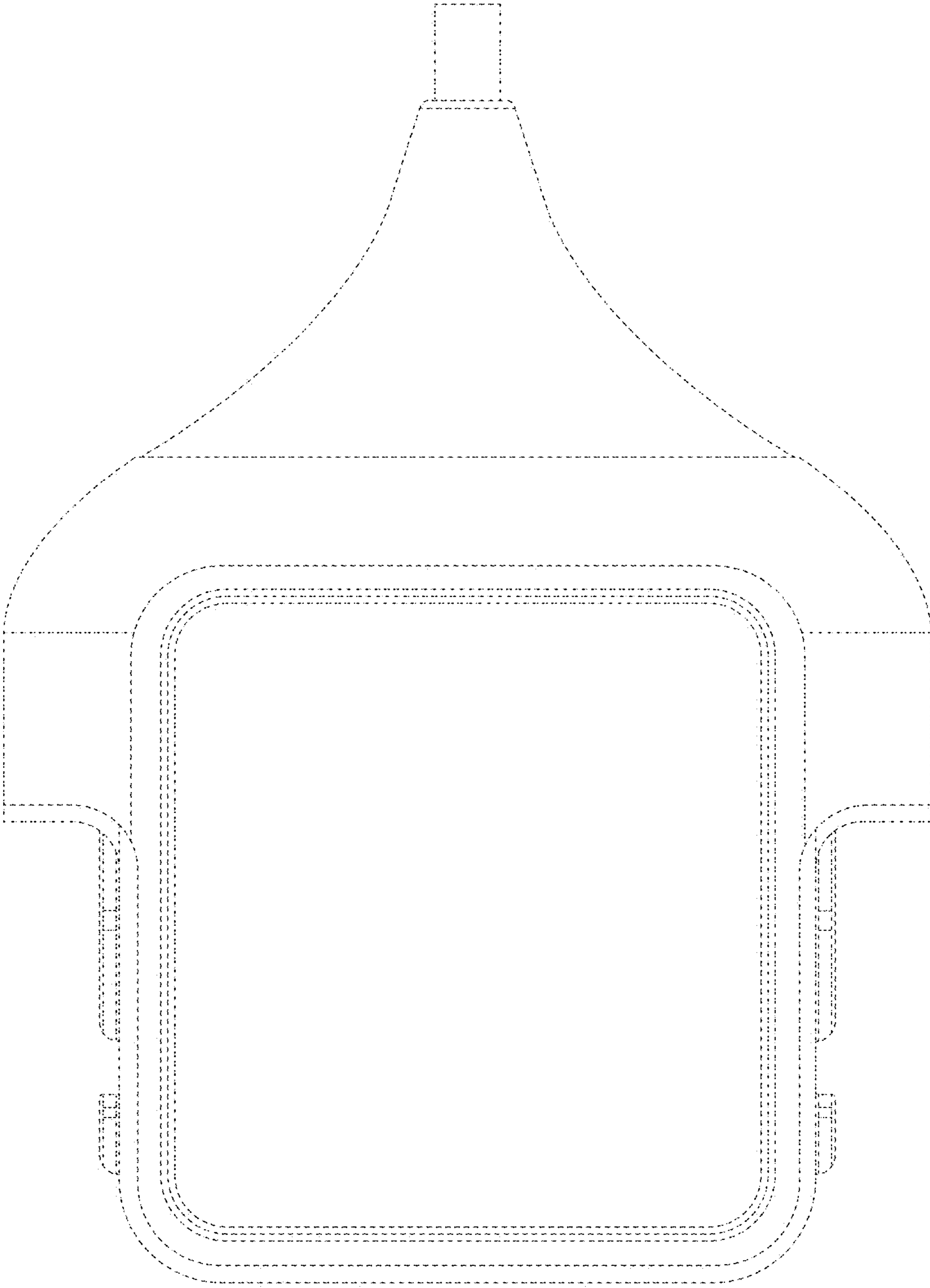


FIG. 8