



US00D976408S

(12) **United States Design Patent**
Boehner et al.

(10) **Patent No.:** **US D976,408 S**
(45) **Date of Patent:** **** Jan. 24, 2023**

(54) **MEDICAL IMAGING DEVICE**

(71) Applicant: **Siemens Healthcare GmbH**, Erlangen (DE)

(72) Inventors: **Julian Boehner**, Ebermannstadt (DE);
Harald Cramer, Uhingen (DE);
Steffen Mueller, Stuttgart (DE)

(73) Assignee: **Siemens Healthcare GmbH**, Erlangen (DE)

(**) Term: **15 Years**

(21) Appl. No.: **29/749,858**

(22) Filed: **Sep. 9, 2020**

(30) **Foreign Application Priority Data**

Mar. 10, 2020 (EM) 007746128

(51) **LOC (14) Cl.** **24-01**

(52) **U.S. Cl.**
USPC **D24/158**

(58) **Field of Classification Search**
USPC D24/107, 158-161, 185, 186, 183, 184
CPC .. A61B 6/03; A61B 6/035; A61B 5/05; A61B
5/055; A61B 6/4405; A61B 6/4417; A61B
6/4411; A61B 6/4435; A61B 6/4464;
A61B 6/4452

See application file for complete search history.

(56) **References Cited**

U.S. PATENT DOCUMENTS

3,902,070 A * 8/1975 Amor, Jr. A61B 6/4464
378/197
D671,216 S * 11/2012 Moon D24/158
D702,351 S * 4/2014 Li D24/158
D758,585 S * 6/2016 Boegel D24/158
9,895,131 B2 * 2/2018 Chang A61B 6/461

10,507,002 B2 * 12/2019 Singh A61B 6/40
D895,802 S * 9/2020 Roth D24/158
D896,967 S * 9/2020 Roth D24/158
2002/0080921 A1 * 6/2002 Smith A61B 6/4464
378/189

(Continued)

Primary Examiner — Anhdao Doan

(74) *Attorney, Agent, or Firm* — Banner & Witcoff Ltd.

(57) **CLAIM**

The ornamental design for a medical imaging device, as shown and described.

DESCRIPTION

The patent or application file contains at least one drawing executed in color. Copies of this patent or patent application publication with color drawing(s) will be provided by the Office upon request and payment of the necessary fee.

FIG. 1 is a front view of a medical imaging device showing our new design;

FIG. 2 is a back elevational view thereof;

FIG. 3 is a top plan view thereof;

FIG. 4 is a bottom plan view thereof;

FIG. 5 is a left-side elevational view thereof;

FIG. 6 is a right-side elevational view thereof; and

FIG. 7 is a top, front, left-hand side perspective view thereof.

FIG. 8 is a front view of the medical imaging device having an alternative color scheme;

FIG. 9 is a back elevational view thereof;

FIG. 10 is a top plan view thereof;

FIG. 11 is a bottom plan view thereof;

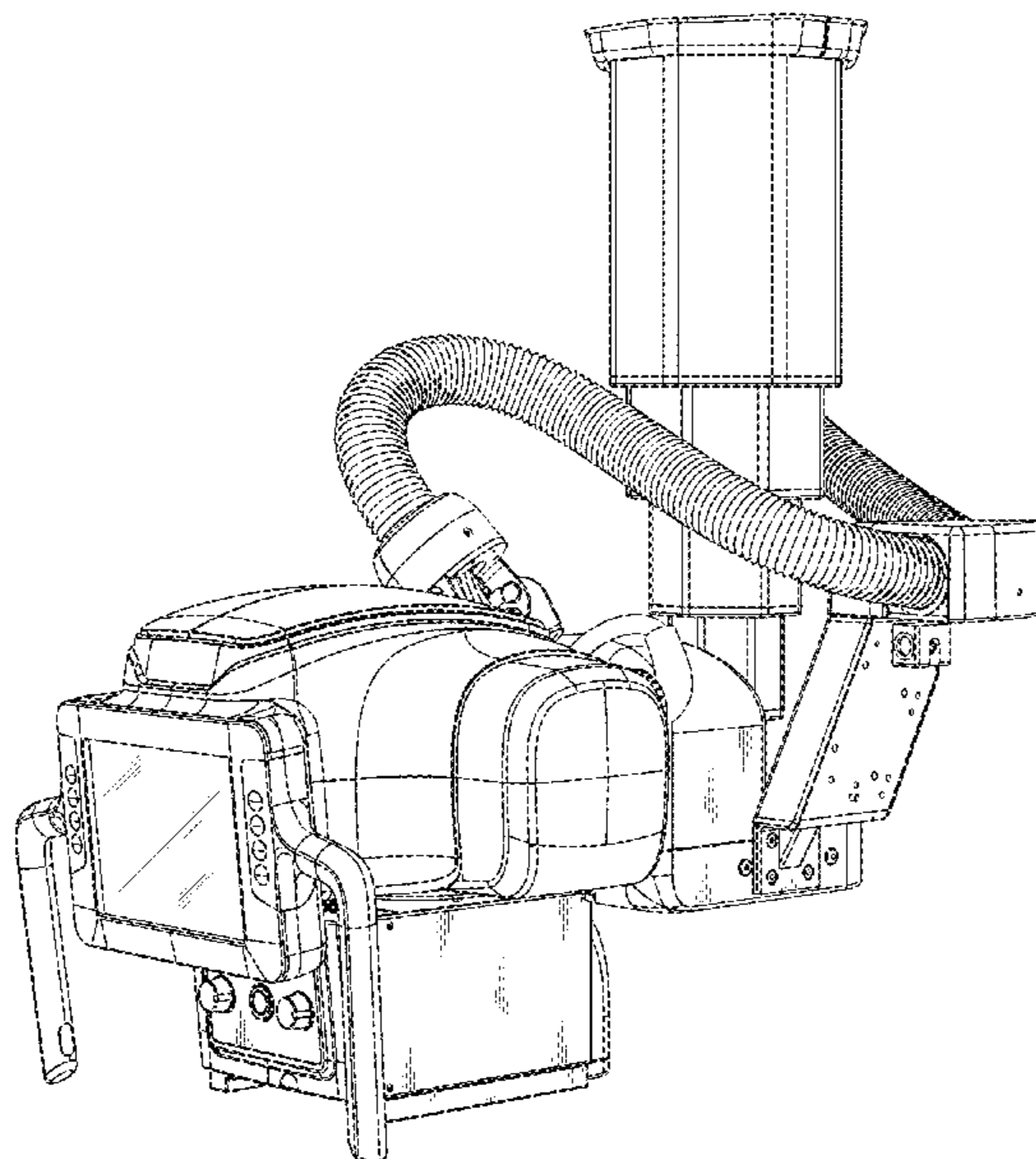
FIG. 12 is a left-side elevational view thereof;

FIG. 13 is a right-side elevational view thereof; and,

FIG. 14 is a top, front, left-hand side perspective view thereof.

The broken lines shown in the drawings represent portions of the medical imaging device that form no part of the claimed design.

1 Claim, 14 Drawing Sheets
(5 of 14 Drawing Sheet(s) Filed in Color)



(56)

References Cited

U.S. PATENT DOCUMENTS

2020/0275899 A1* 9/2020 Sandoval A61B 6/4452

* cited by examiner

FIG. 1

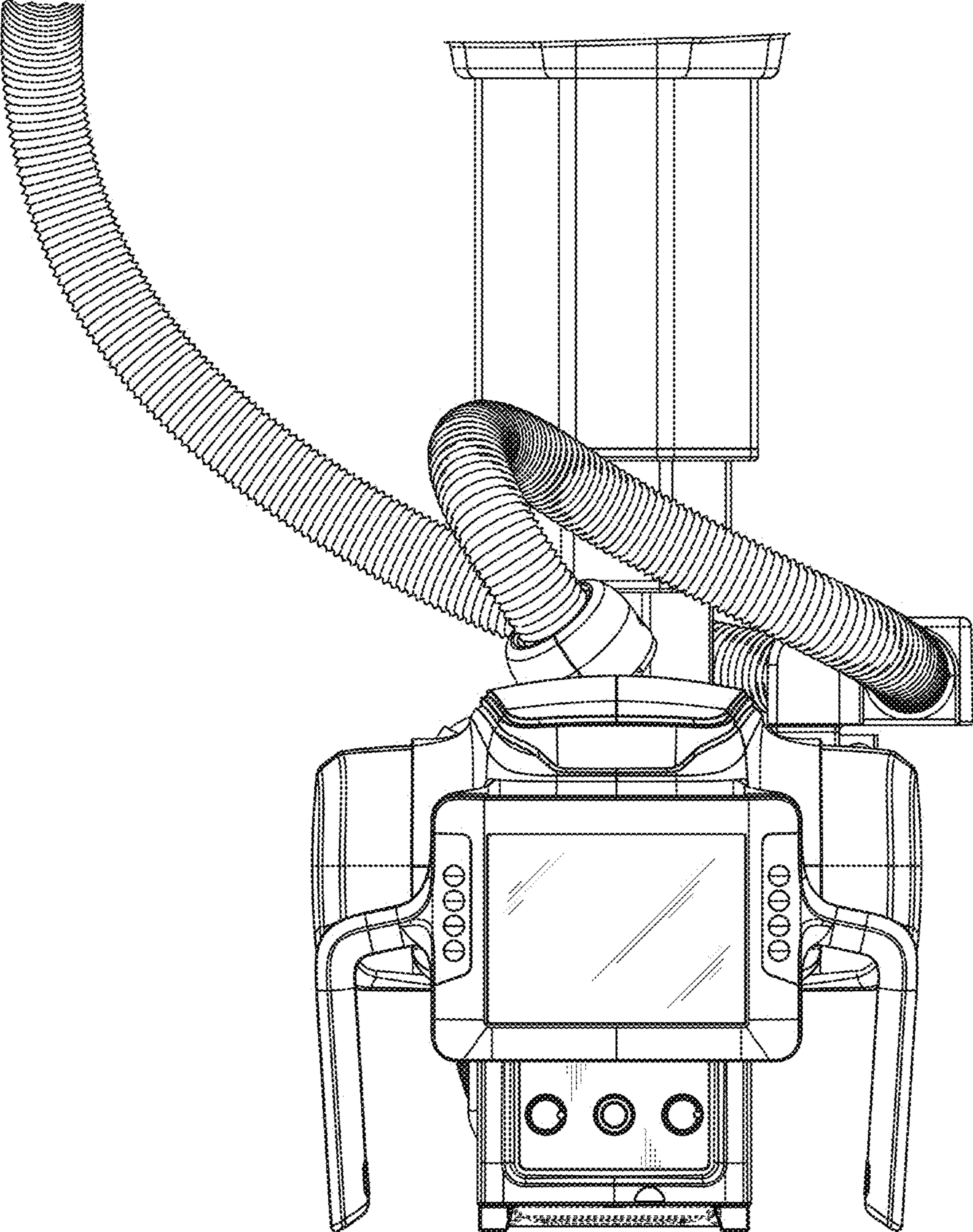


FIG. 2

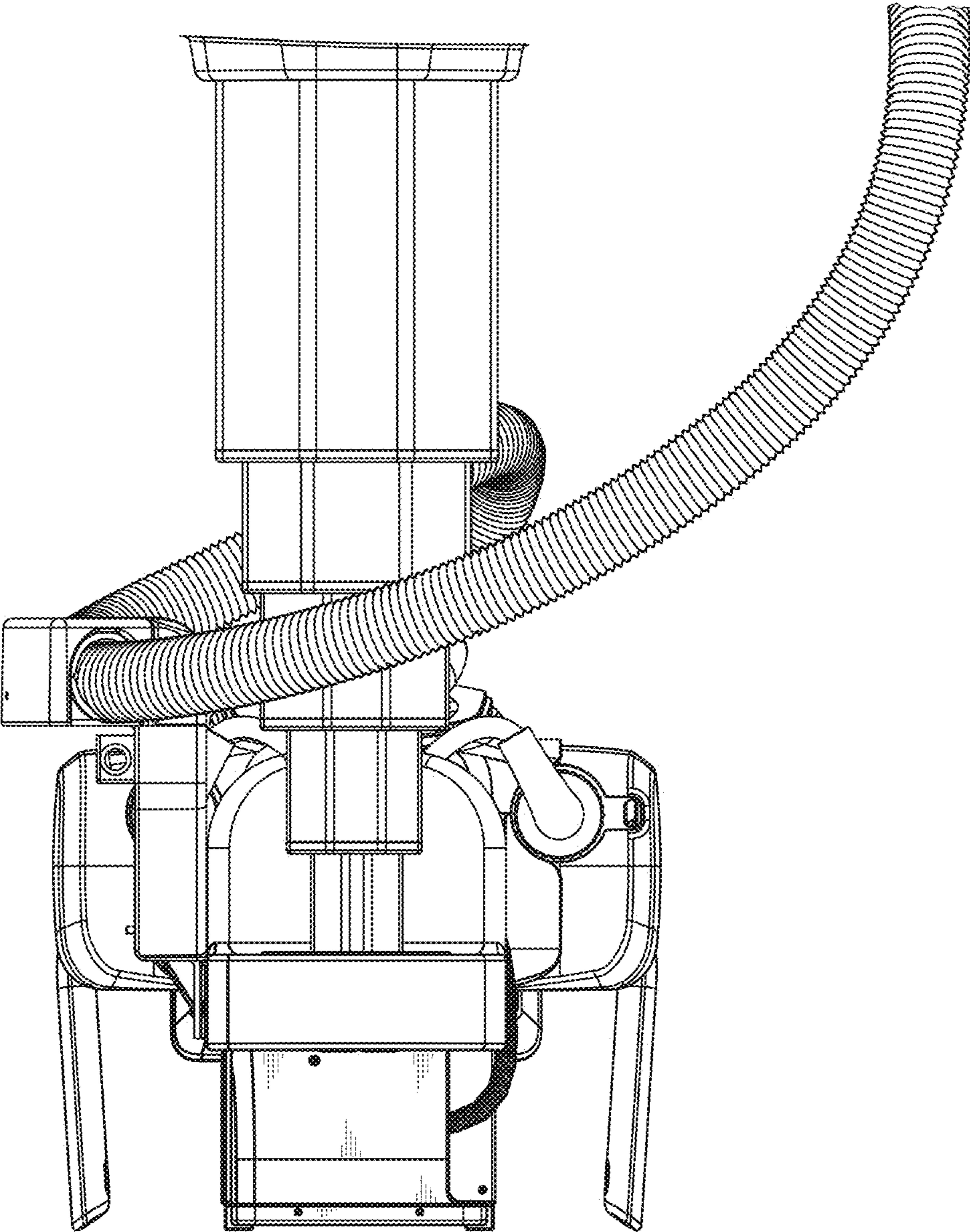


FIG. 3

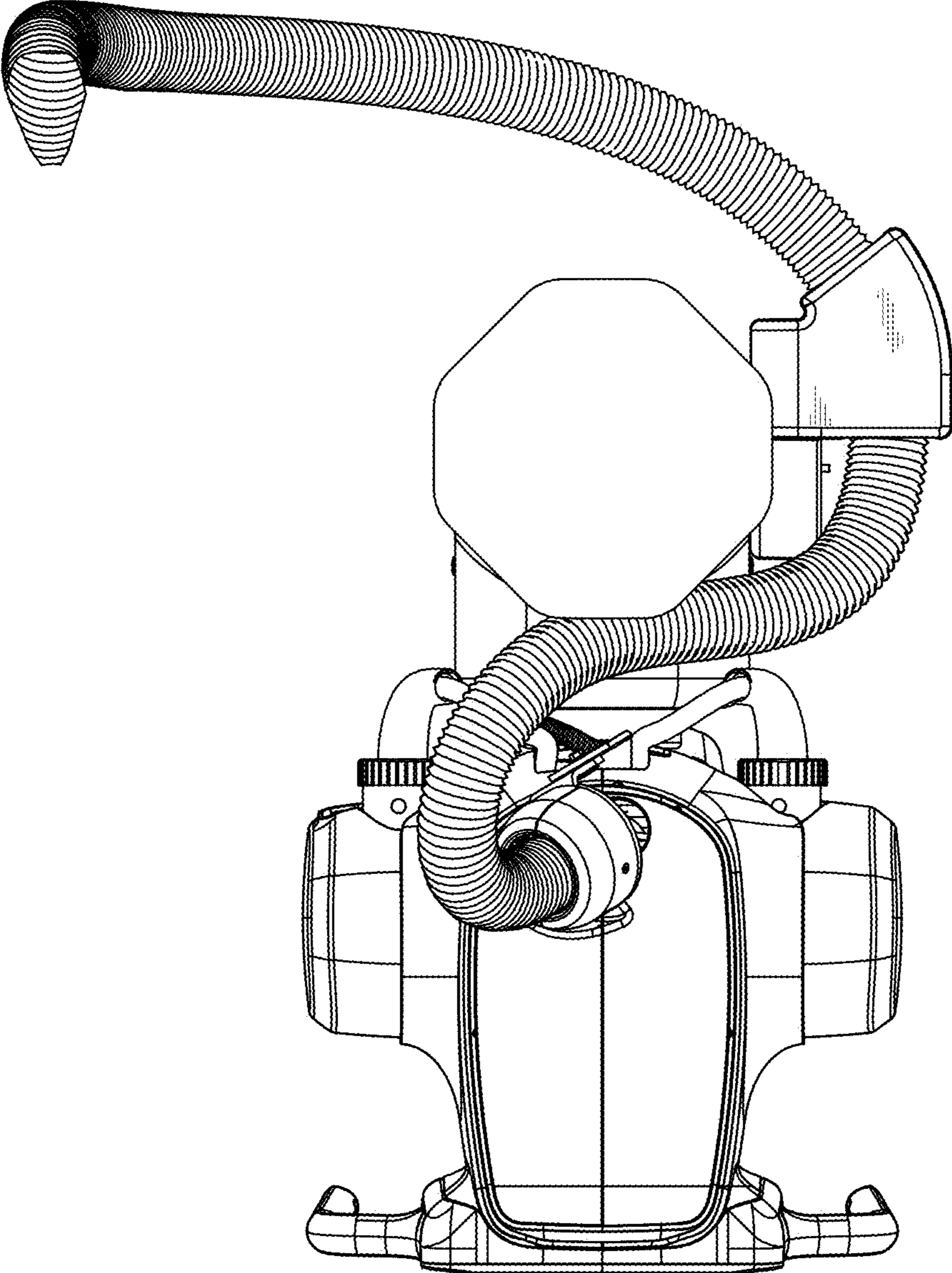


FIG. 4

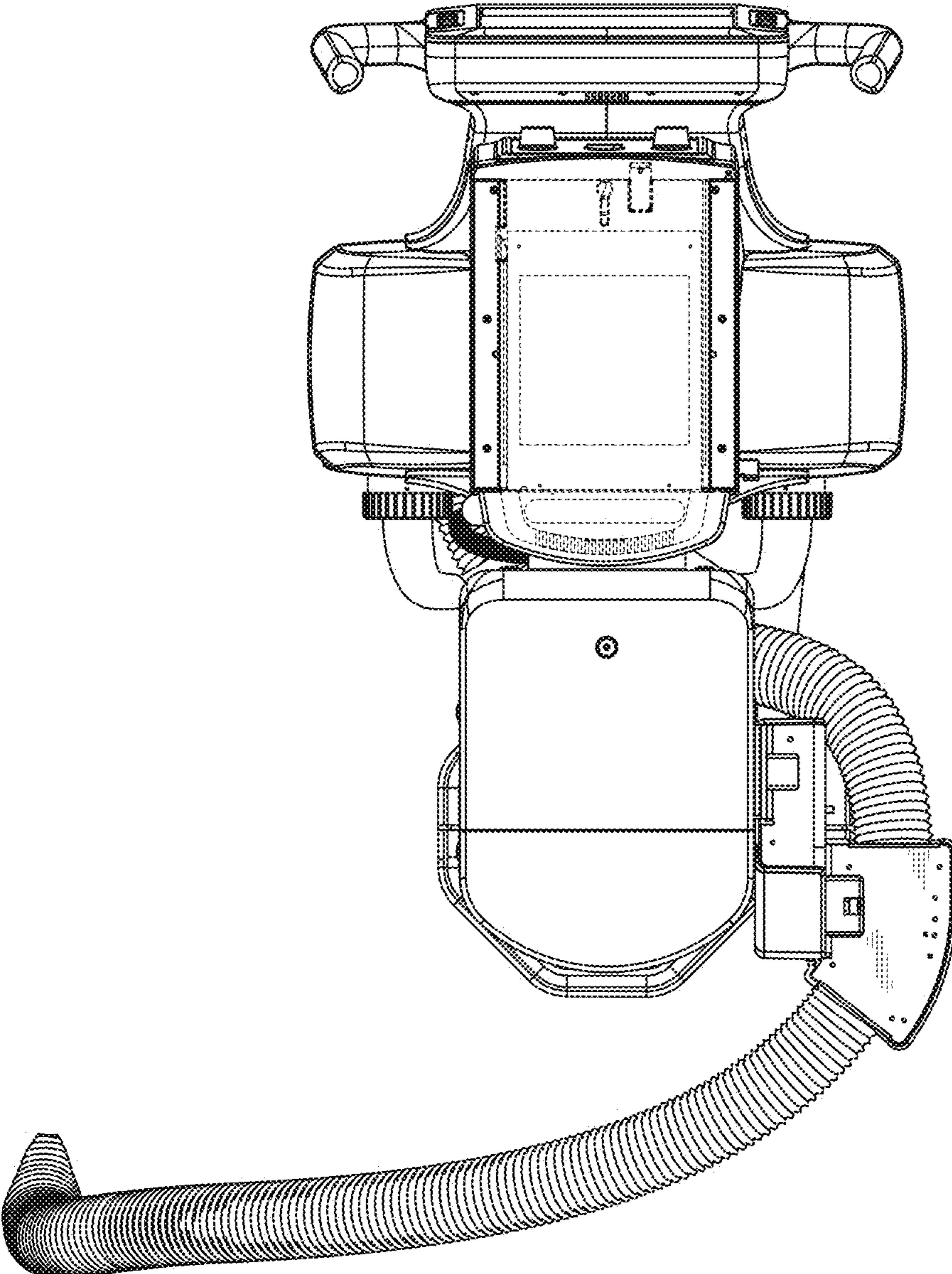


FIG. 5

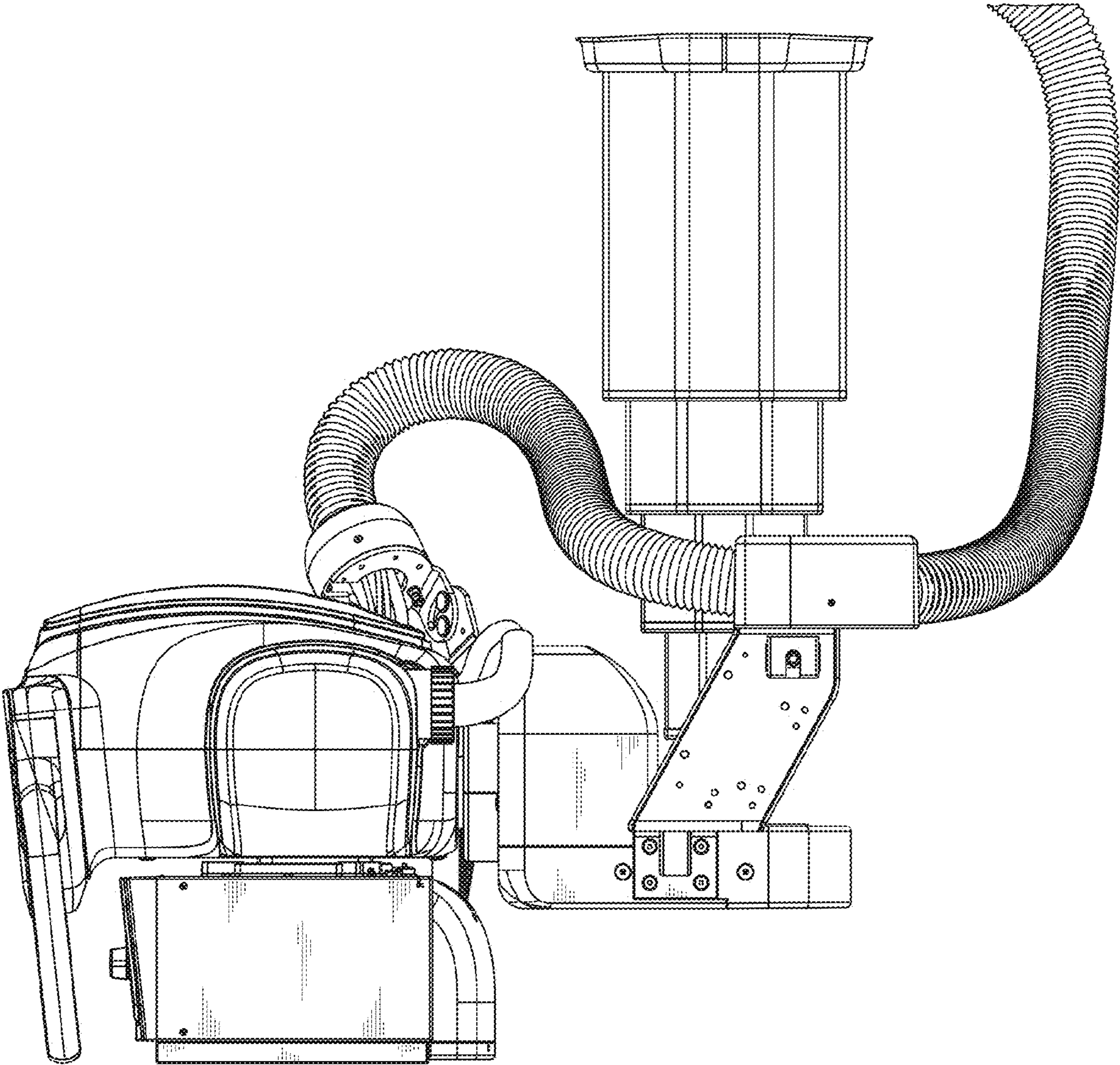


FIG. 6

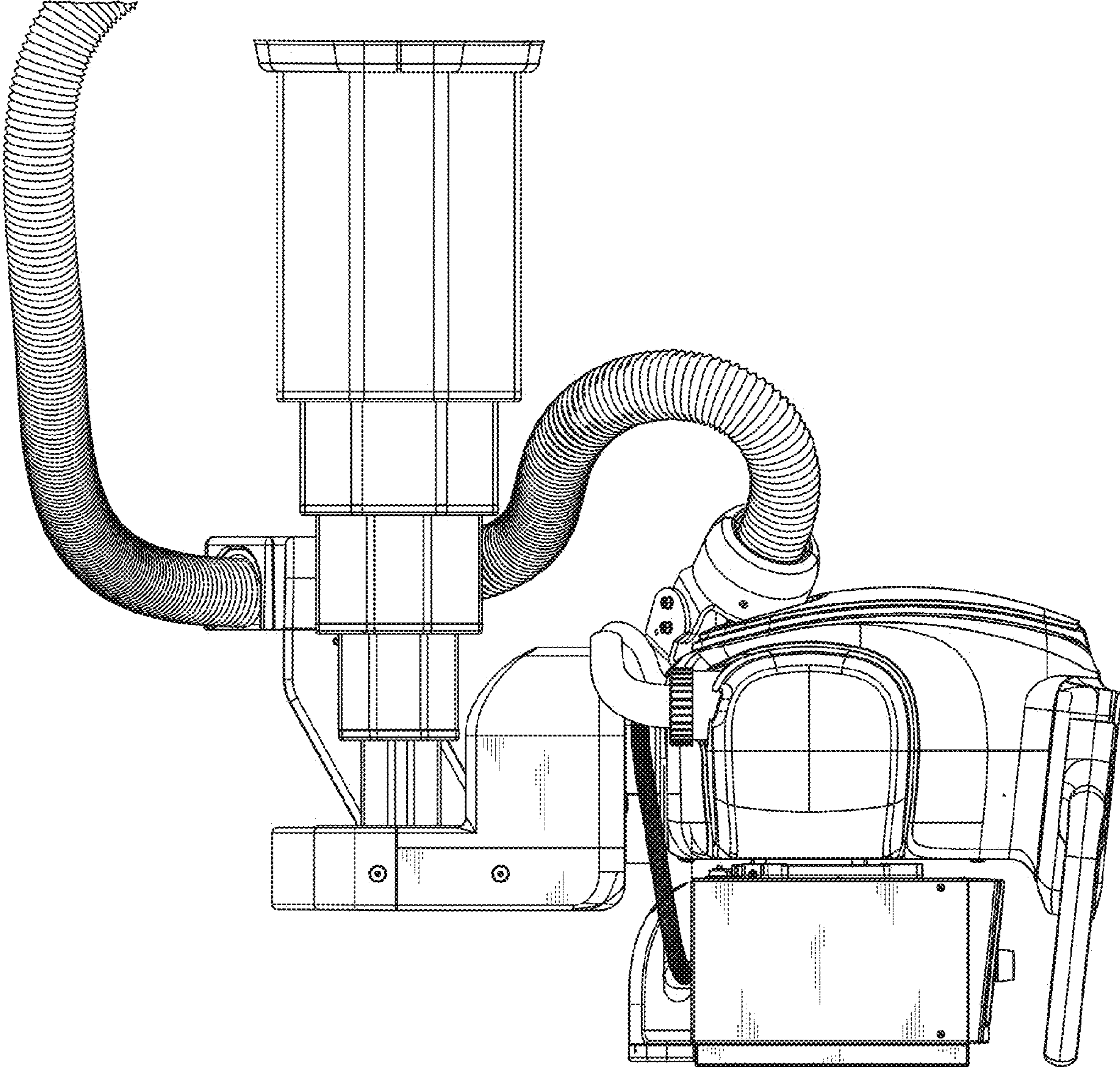


FIG. 7

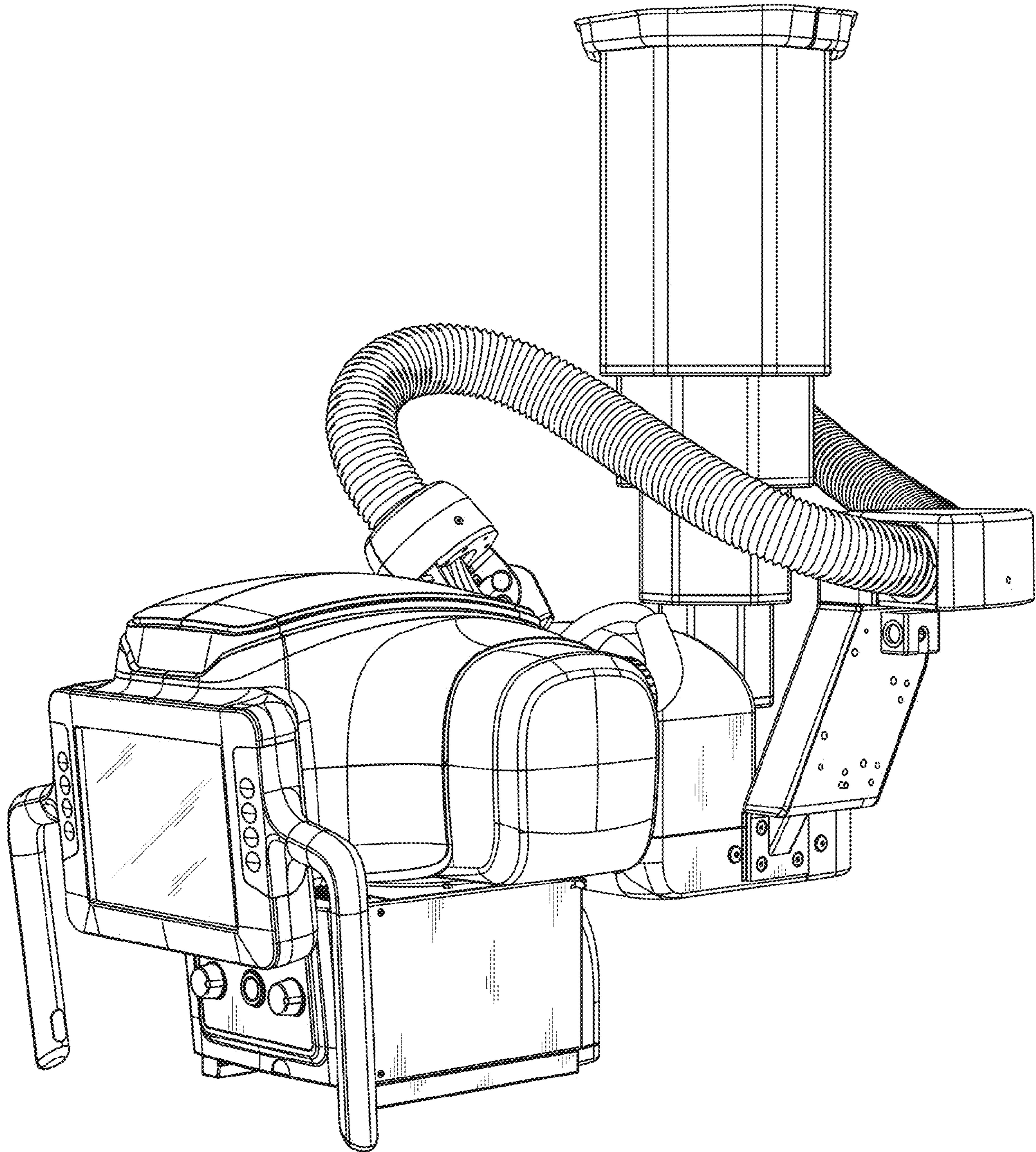


FIG. 8

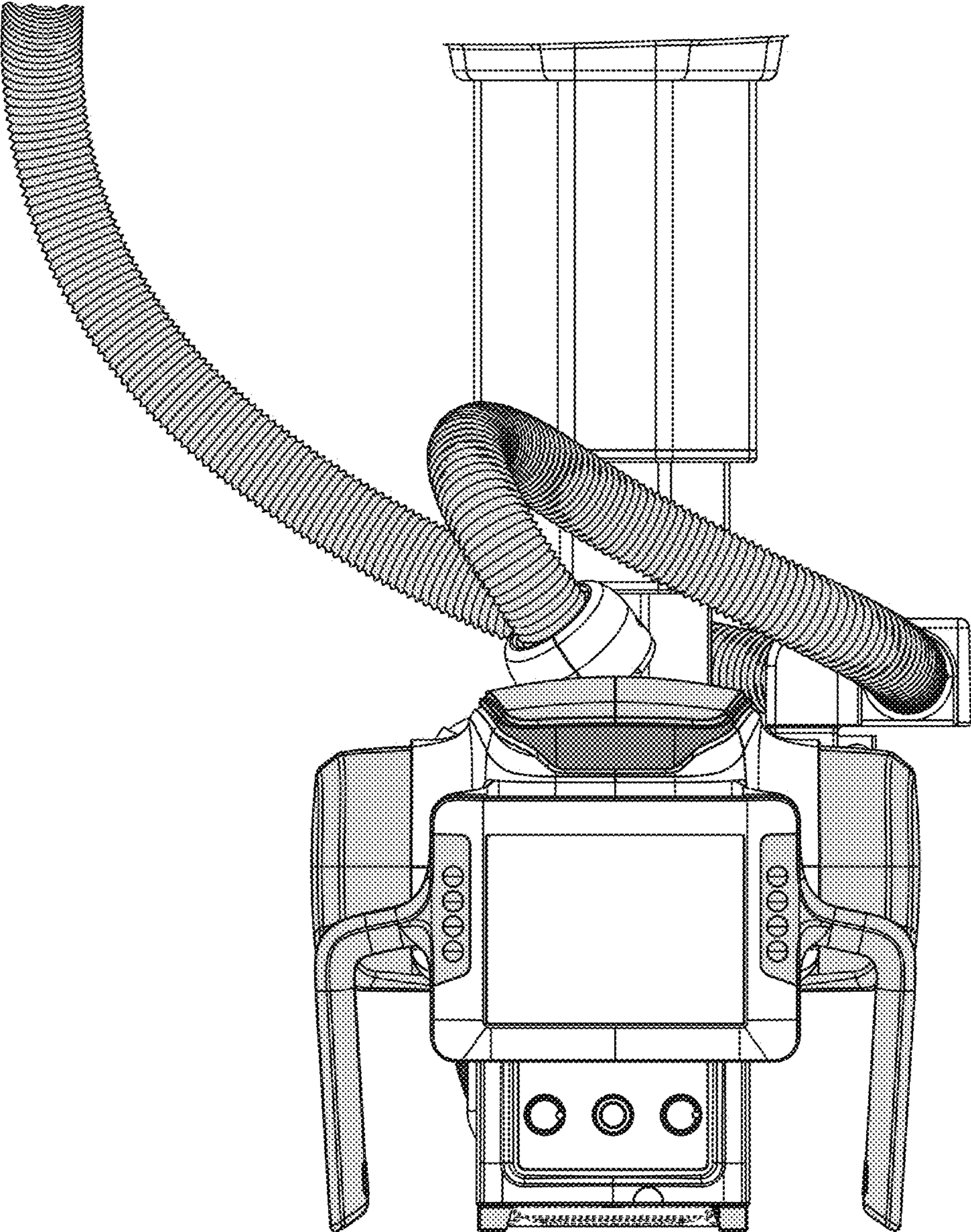


FIG. 9

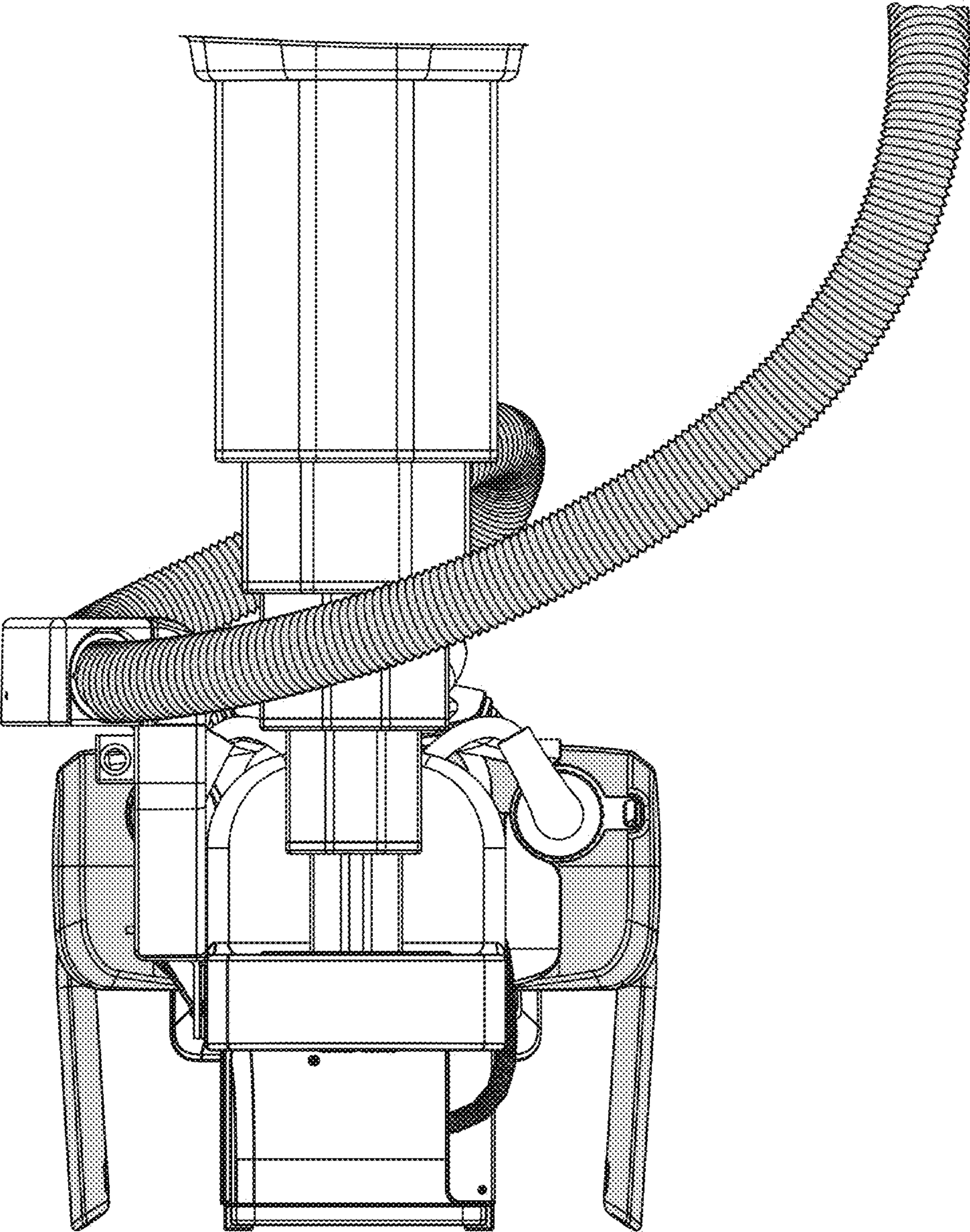


FIG. 10

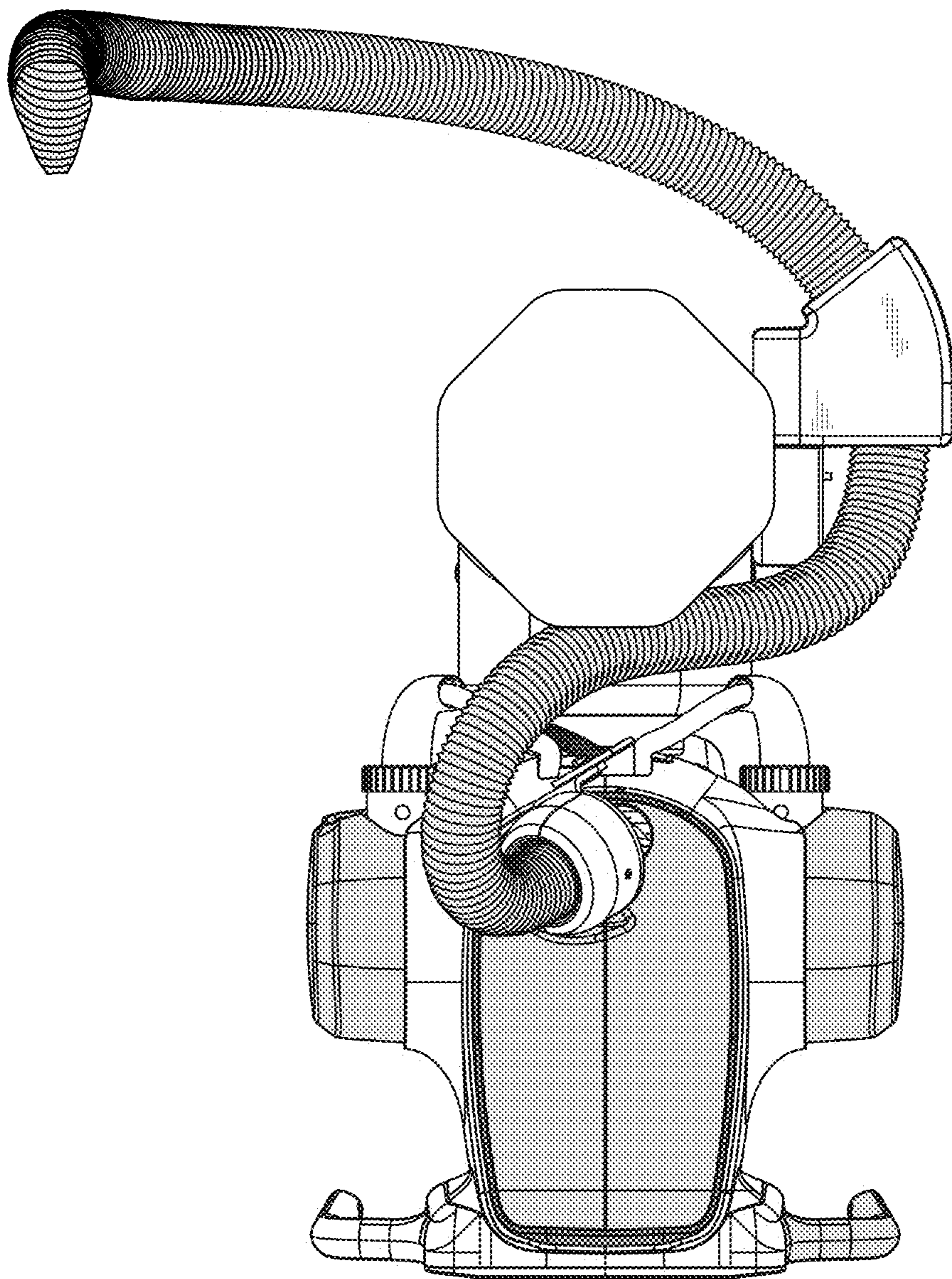


FIG. 11

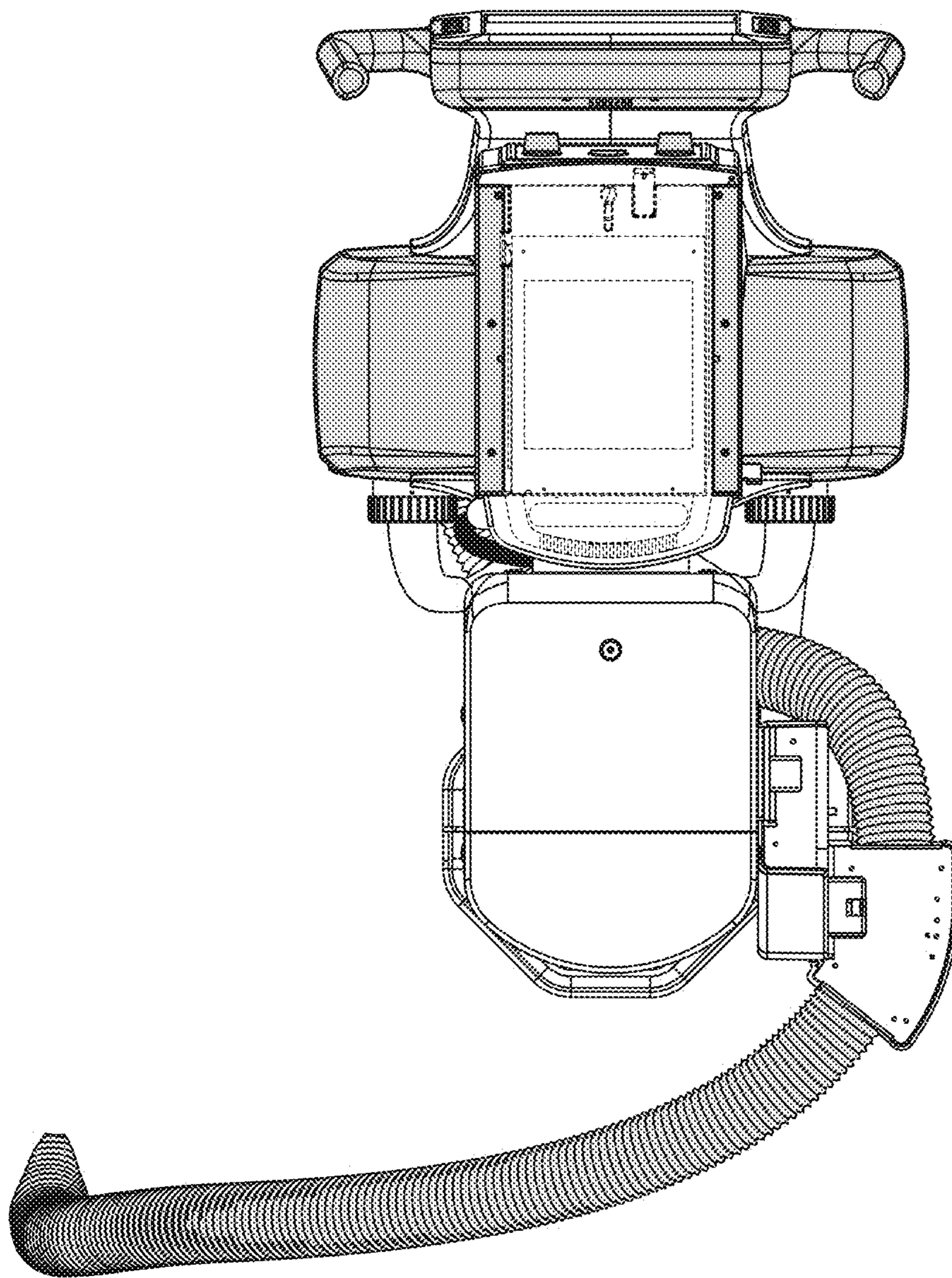


FIG. 12

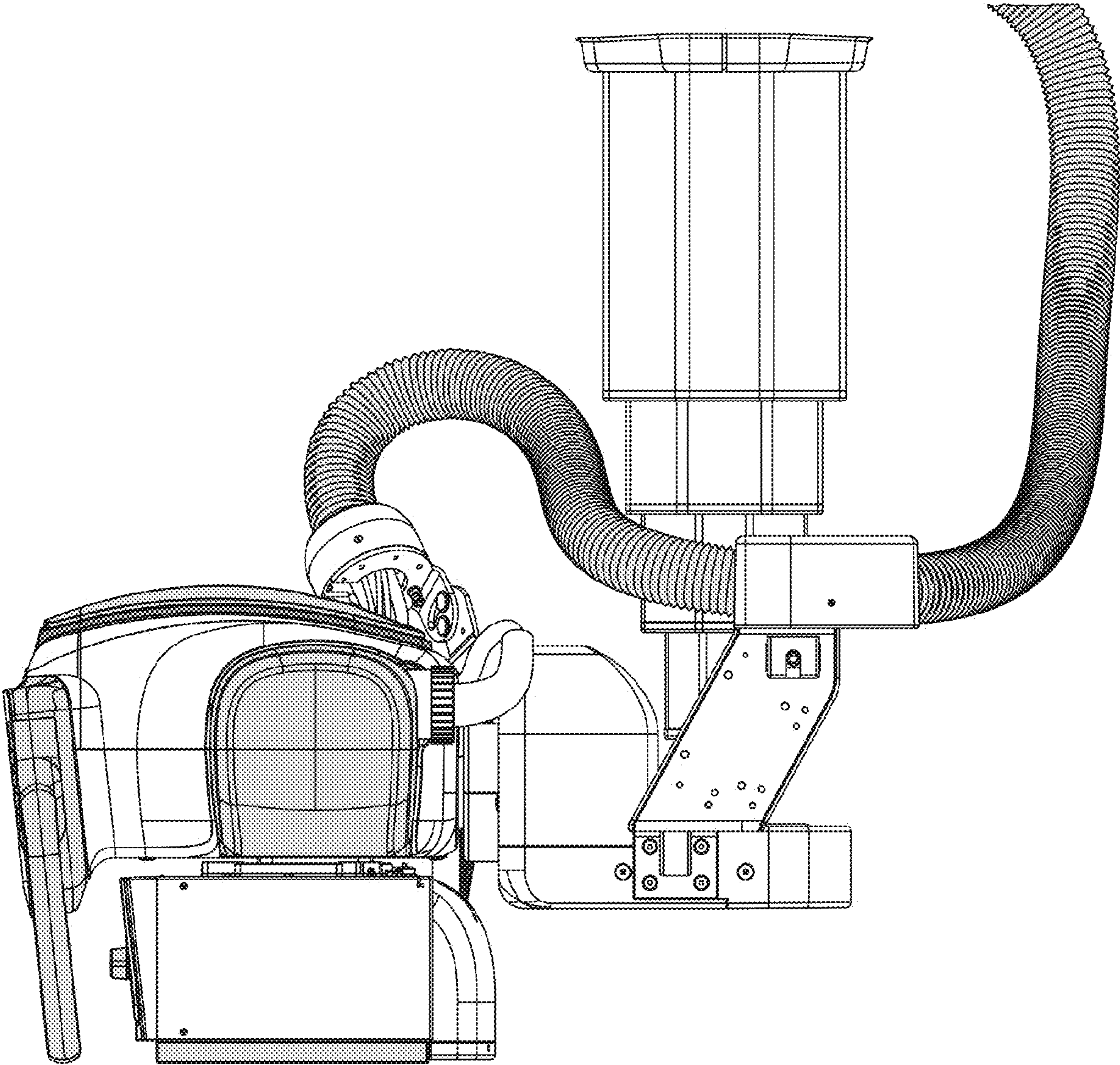


FIG. 13

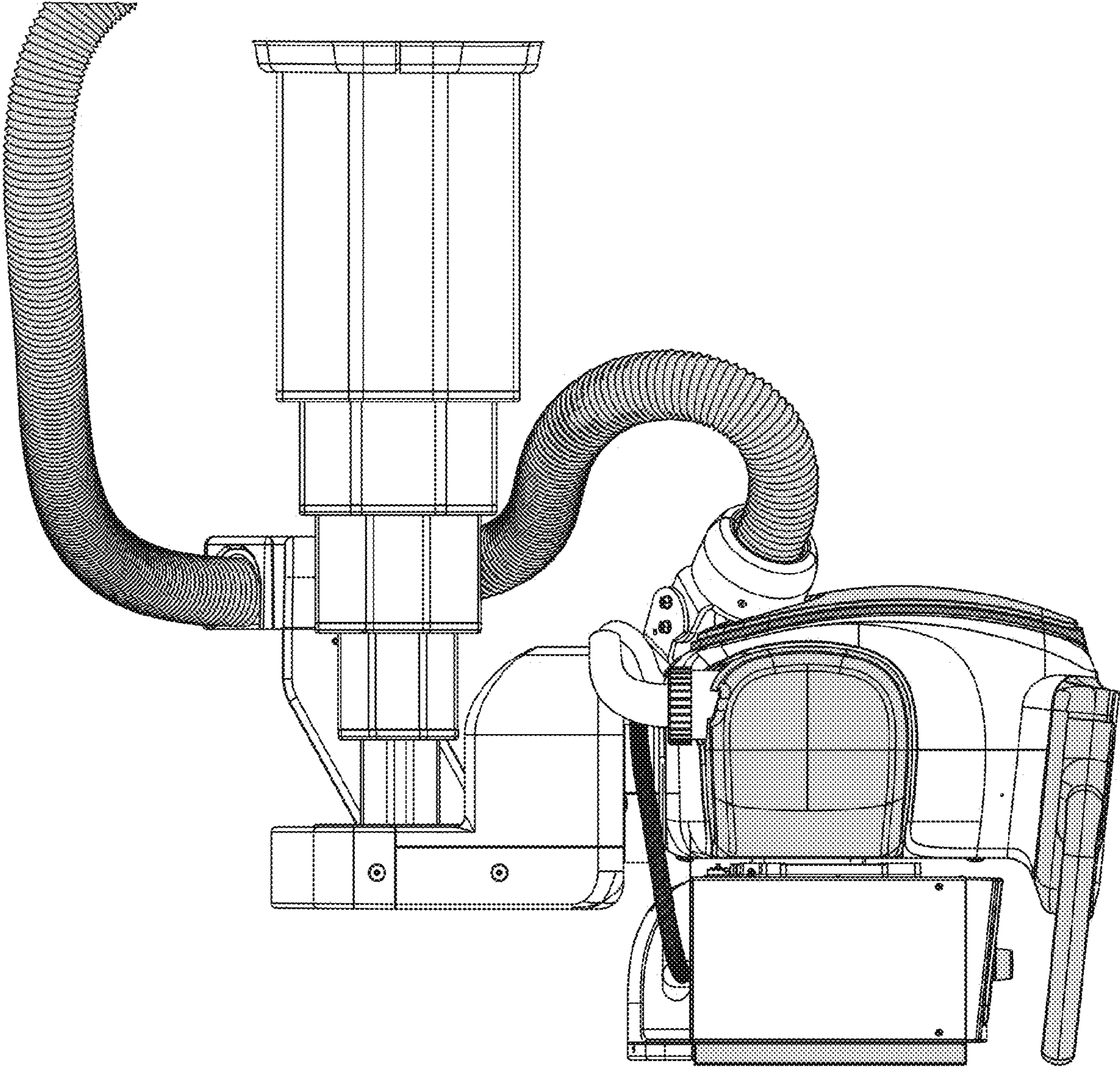


FIG. 14

