



US00D976398S

(12) **United States Design Patent** (10) **Patent No.:** **US D976,398 S**
Desai et al. (45) **Date of Patent:** **** Jan. 24, 2023**

(54) **WIRELESS CAMERA**

(71) Applicant: **Integrated Endoscopy, Inc.**, Irvine, CA (US)

(72) Inventors: **Siddharth Balvantrai Desai**, Mission Viejo, CA (US); **Rofino Nakamichi Tangi**, Aliso Viejo, CA (US)

(73) Assignee: **Integrated Endoscopy, Inc.**, Irvine, CA (US)

(**) Term: **15 Years**

(21) Appl. No.: **29/710,940**

(22) Filed: **Oct. 28, 2019**

(51) **LOC (14) Cl.** **24-02**

(52) **U.S. Cl.**
USPC **D24/138**

(58) **Field of Classification Search**
USPC D24/133, 137, 138, 151, 173
CPC A61B 1/00016; A61B 1/00034; A61B 1/00048; A61B 1/00108; H04N 7/183
See application file for complete search history.

(56) **References Cited**

U.S. PATENT DOCUMENTS

D409,563 S	5/1999	Haase	
D422,359 S *	4/2000	Fitch D24/133
D471,578 S	3/2003	Okuley	
D508,458 S	8/2005	Solland	
D521,927 S	5/2006	Franck	
D524,282 S	7/2006	Beasley	
D602,858 S	10/2009	Ellis	
D627,718 S	11/2010	Houghton	
D653,206 S	1/2012	Heine	
D676,377 S	2/2013	Nokuo	

(Continued)

FOREIGN PATENT DOCUMENTS

JP	2012-055697 A	3/2012
WO	WO 2018/048466 A1	3/2018

OTHER PUBLICATIONS

“Acupress Pen Stand Holder”. Found online Dec. 29, 2020 at amazon.com. Reference dated Apr. 26, 2016. Retrieved from https://www.amazon.com/Acupress-Holder-Compatible-Intuos-CTL680/dp/B01ESYEWU. (Year: 2016).

(Continued)

Primary Examiner — Eliza Z Harvey

(74) *Attorney, Agent, or Firm* — Knobbe, Martens, Olson & Bear, LLP

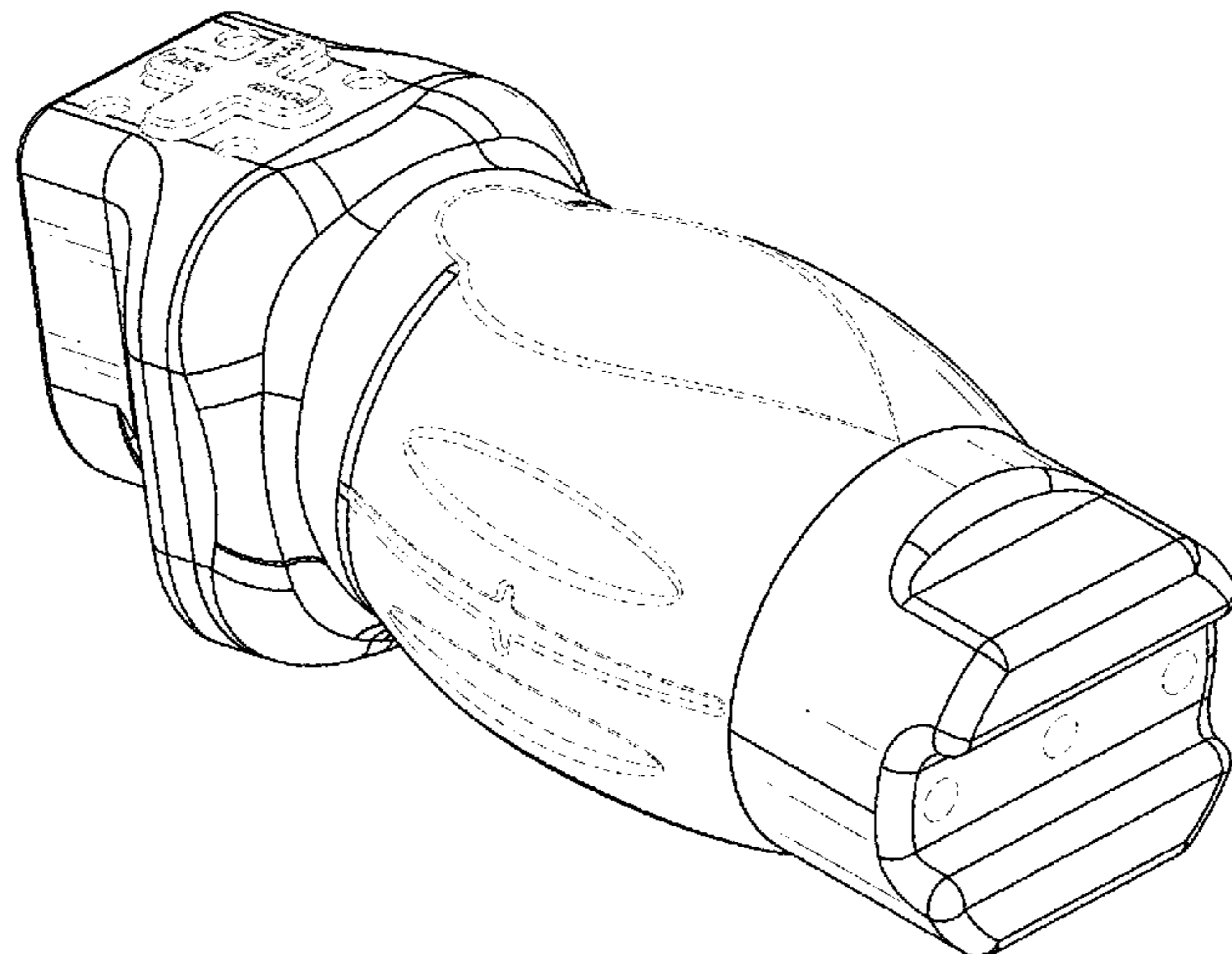
(57) **CLAIM**

The ornamental design for a wireless camera, as shown and described.

DESCRIPTION

FIG. 1 is a rear perspective view of a wireless camera, according to one embodiment of our new design; FIG. 2 is a top view thereof; FIG. 3 is a bottom view thereof; FIG. 4 is a right side view thereof; FIG. 5 is a left side view thereof; FIG. 6 is a front view thereof; and FIG. 7 is a rear view thereof. FIG. 8 is a front perspective view of a wireless camera, according to another embodiment of our new design; FIG. 9 is a top view thereof; FIG. 10 is a bottom view thereof; FIG. 11 is a right side view thereof; and FIG. 12 is a left side view thereof; FIG. 13 is a front view thereof; and FIG. 14 is a rear view thereof. FIG. 15 is an exploded front perspective view thereof; and, FIG. 16 is an exploded rear perspective view thereof. Broken lines are used to illustrate features of the wireless camera that form no part of the claimed design.

1 Claim, 10 Drawing Sheets



(56)

References Cited

OTHER PUBLICATIONS

U.S. PATENT DOCUMENTS

D677,830	S	3/2013	Daniels	
D735,133	S	7/2015	Reishus	
D762,571	S	8/2016	Lee	
D778,440	S *	2/2017	Ben-Moshe	D24/137
D784,535	S *	4/2017	Osada	D24/138
D788,831	S *	6/2017	Pilz	D24/138
D810,679	S	2/2018	Patton	
D813,806	S	3/2018	Ito	
D864,857	S	10/2019	Clark	
D890,088	S	7/2020	Machida	
D892,907	S	8/2020	Chan	
D895,542	S	9/2020	Bell	
D900,737	S	11/2020	Hsu	
D902,150	S	11/2020	Sun	
D950,725	S *	5/2022	Kang	D24/138
D950,726	S *	5/2022	Kang	D24/138
D956,972	S *	7/2022	Costin	A61B 1/317 D24/138
2003/0146735	A1	8/2003	Barbeau	
2006/0262525	A1	11/2006	Barbeau	
2009/0057544	A1	3/2009	Brodie	
2010/0145146	A1	6/2010	Melder	
2011/0317403	A1	12/2011	Fournier	
2013/0324794	A1	12/2013	Covert et al.	
2017/0187212	A1	6/2017	Hemesath	
2019/0142256	A1	5/2019	Zhao et al.	

“Charging Dock and Base for Knuckle Lights Advanced”. Found online Dec. 30, 2020 at knucklelights.com. Reference dated Jun. 25, 2019. Retrieved from <https://knucklelights.com/products/charging-base>. (Year: 2020).

“Kebor Hair Clippers”. Found online Dec. 30, 2020 at [amazon.com](https://us.amazon.com). Reference dated Apr. 19, 2019. Retrieved from <https://us.amazon.com/Kebor-Clippers-Electric-Rechargeable-Lithium-ion/dp/B079GS6CDH>. (Year: 2019).

“Revolabs Charger Base”. Found online Dec. 30, 2020 at [bhphotovideo.com](https://www.bhphotovideo.com). Reference dated Aug. 15, 2016. Retrieved from https://www.bhphotovideo.com/c/product/894848-REG/revolabs_02hddualchg11_charger_base_for_hd.html/qa. (Year: 2016).

“PULUZ Charging Dock”. Found online Jan. 21, 2021 at miabyron.blogspot.com. Reference dated Jun. 3, 2019. Retrieved from <https://miabyron.blogspot.com/2019/06/puluz-pu381-charging-dock-base-charger.html>. (Year: 2018).

“Nikon Battery Charger Set”. Found online Jan. 21, 2021 at newbecca.com. Reference dated Feb. 9, 2018. Retrieved from https://tineye.com/search/35fa9bc083a5e4b862a861548dc19c9785657fc7?sort=crawl_date&order=asc&page=1. (Year: 2018).

International Search Report and Written Opinion dated May 14, 2021, received in International Patent Application No. PCT/US2021/014234, 13 pages.

* cited by examiner

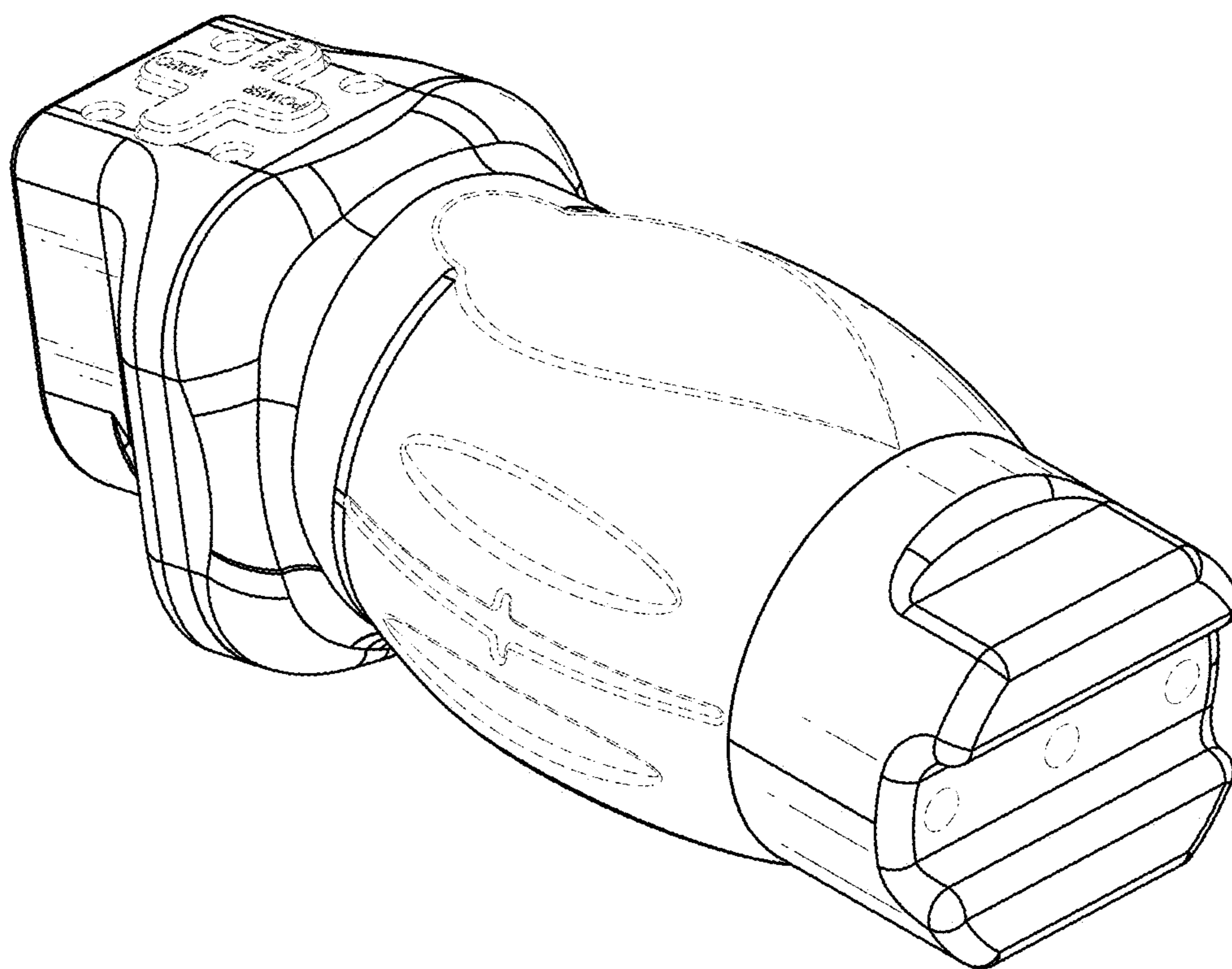


FIG. 1

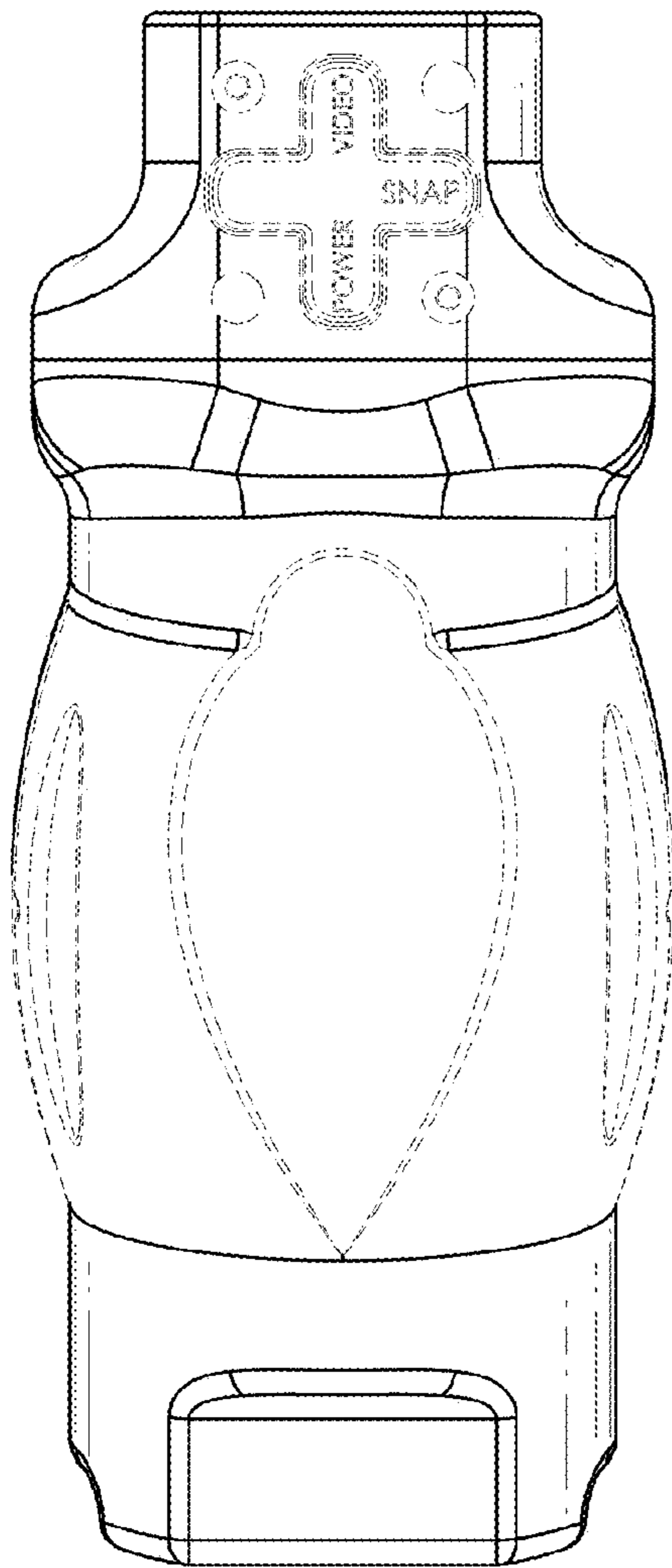


FIG. 2

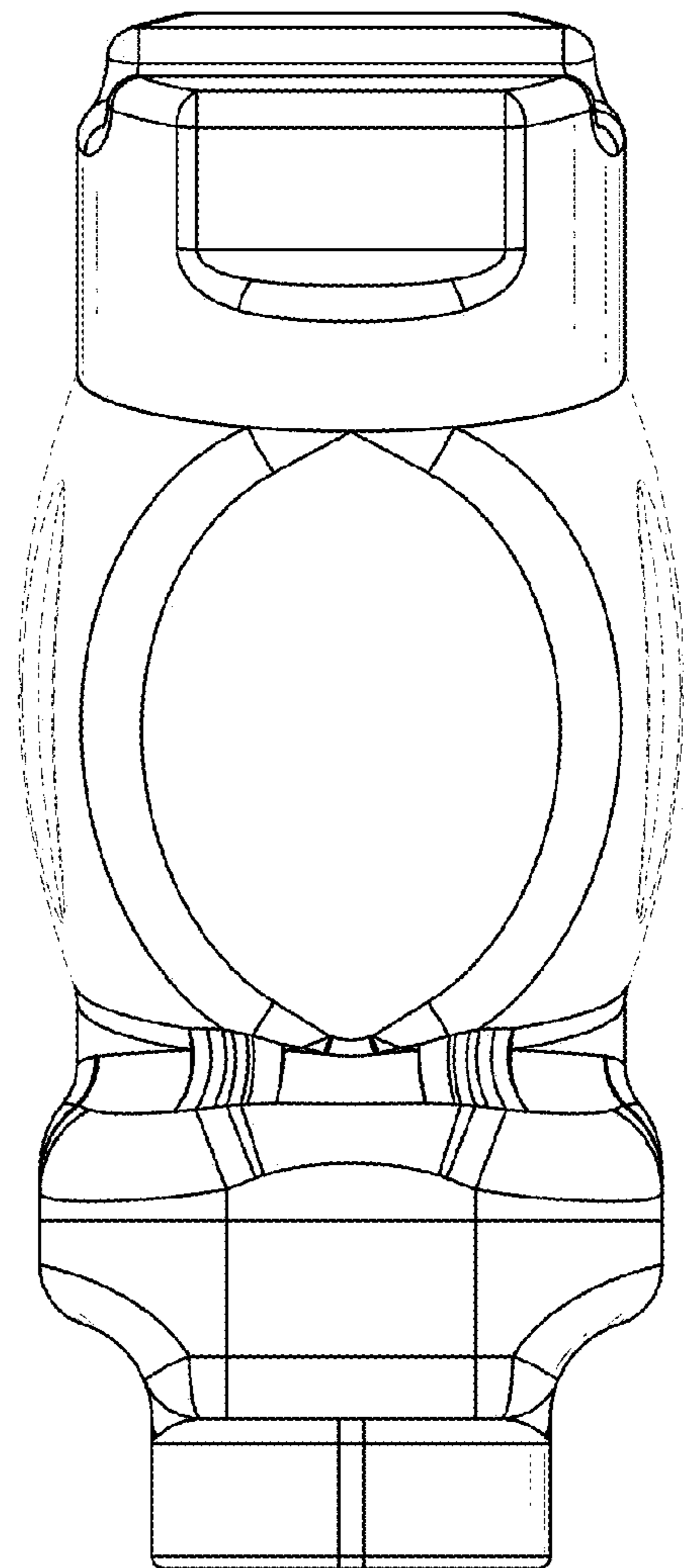


FIG. 3

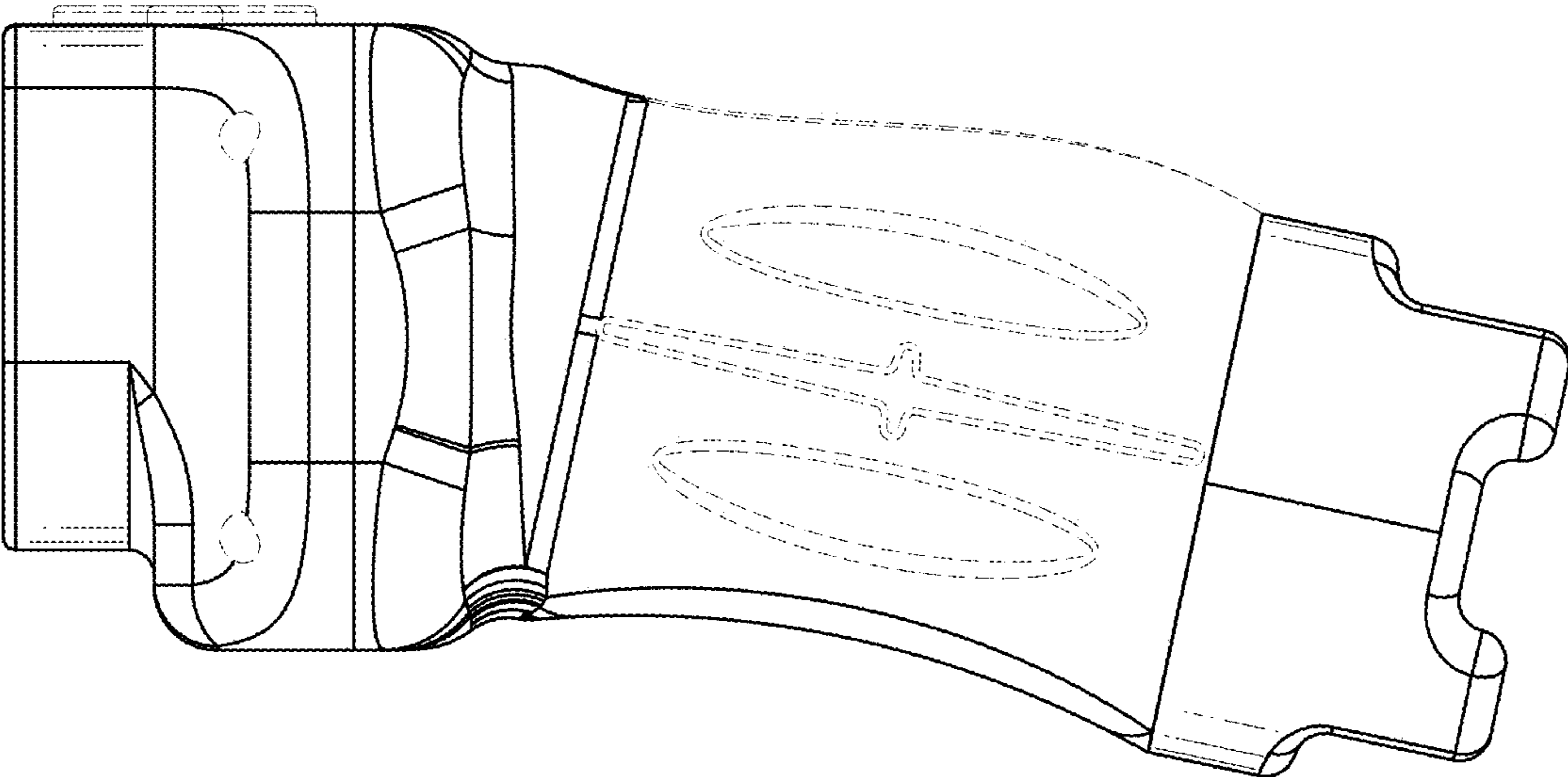


FIG. 4

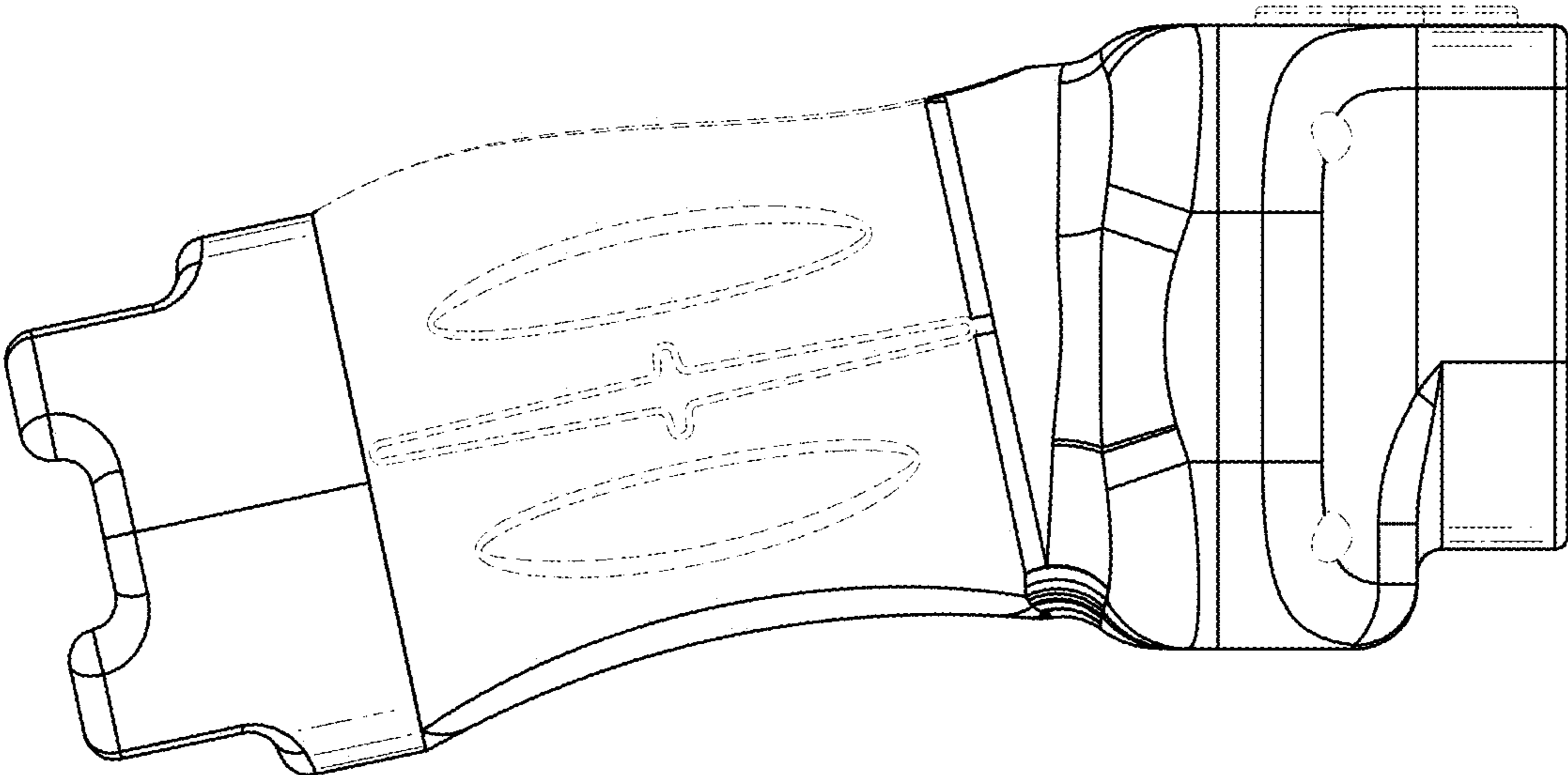


FIG. 5

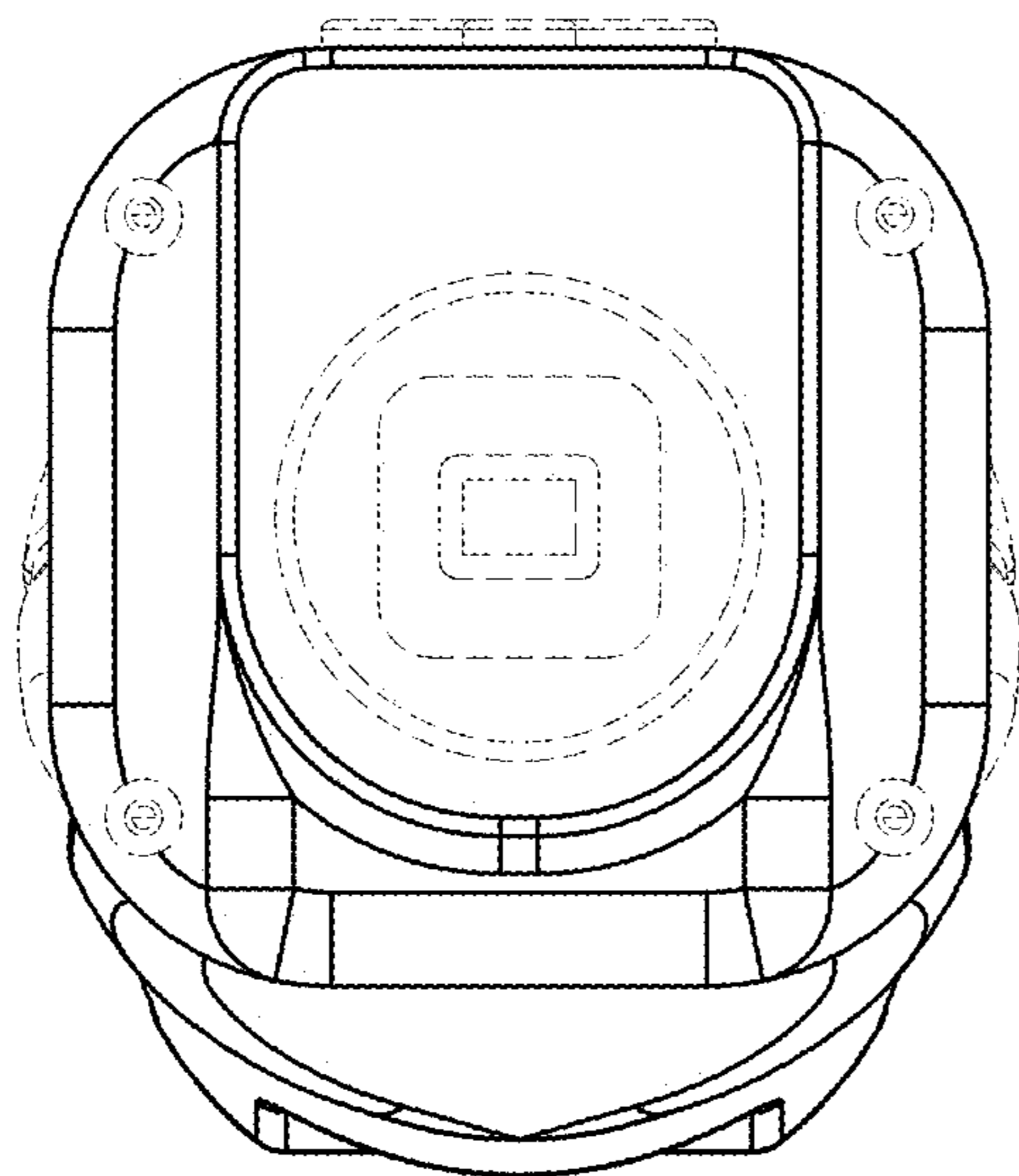


FIG. 6

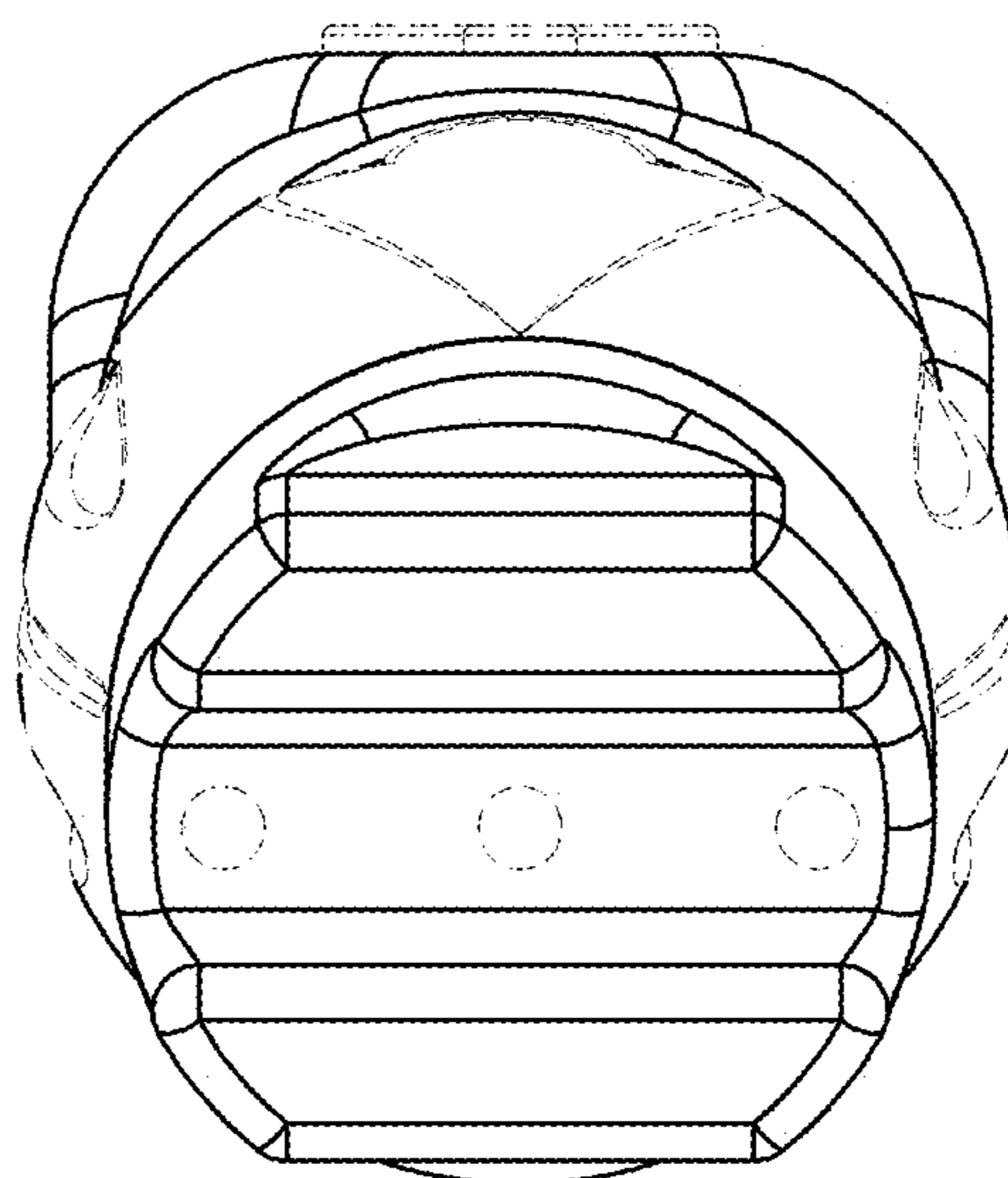


FIG. 7

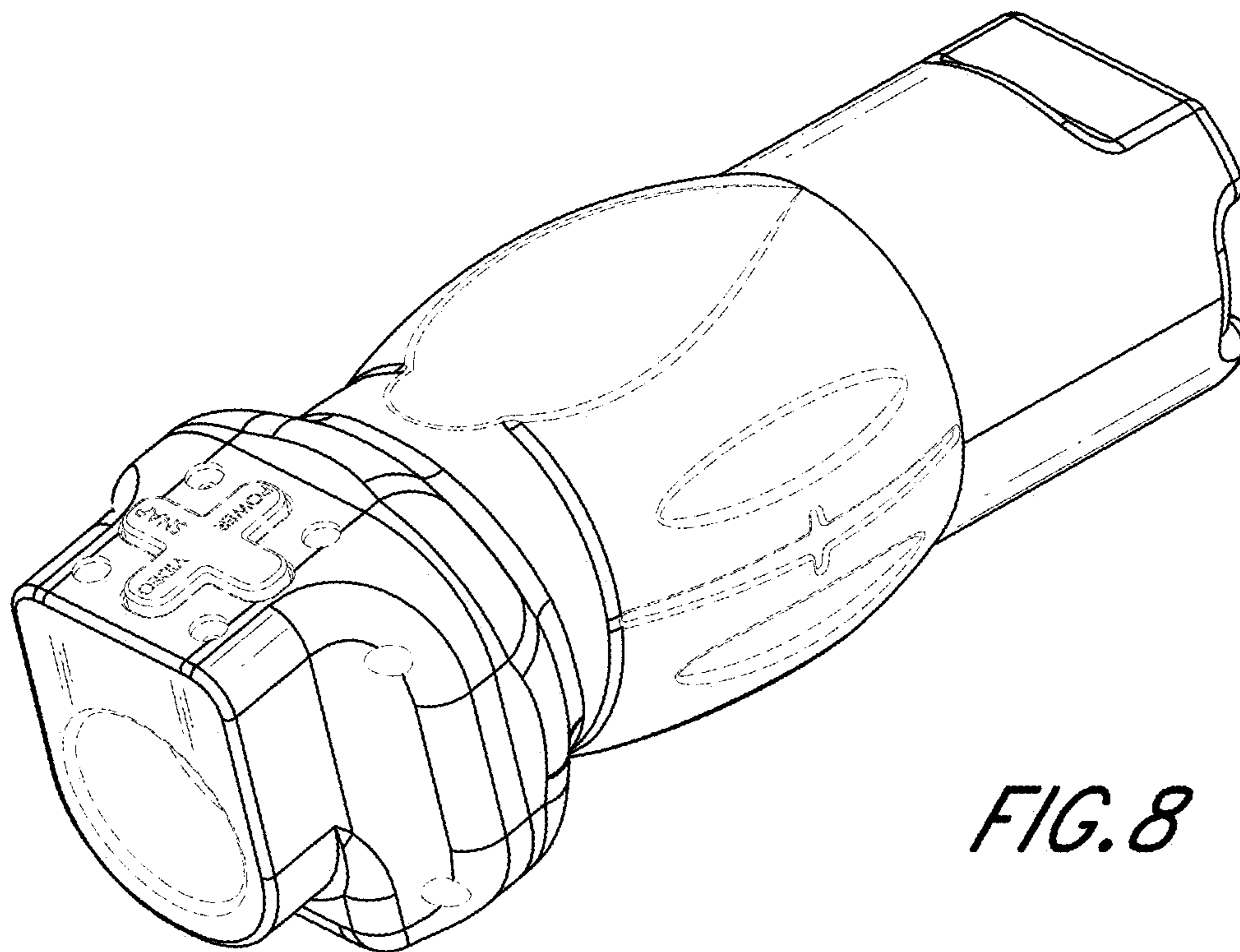


FIG. 8

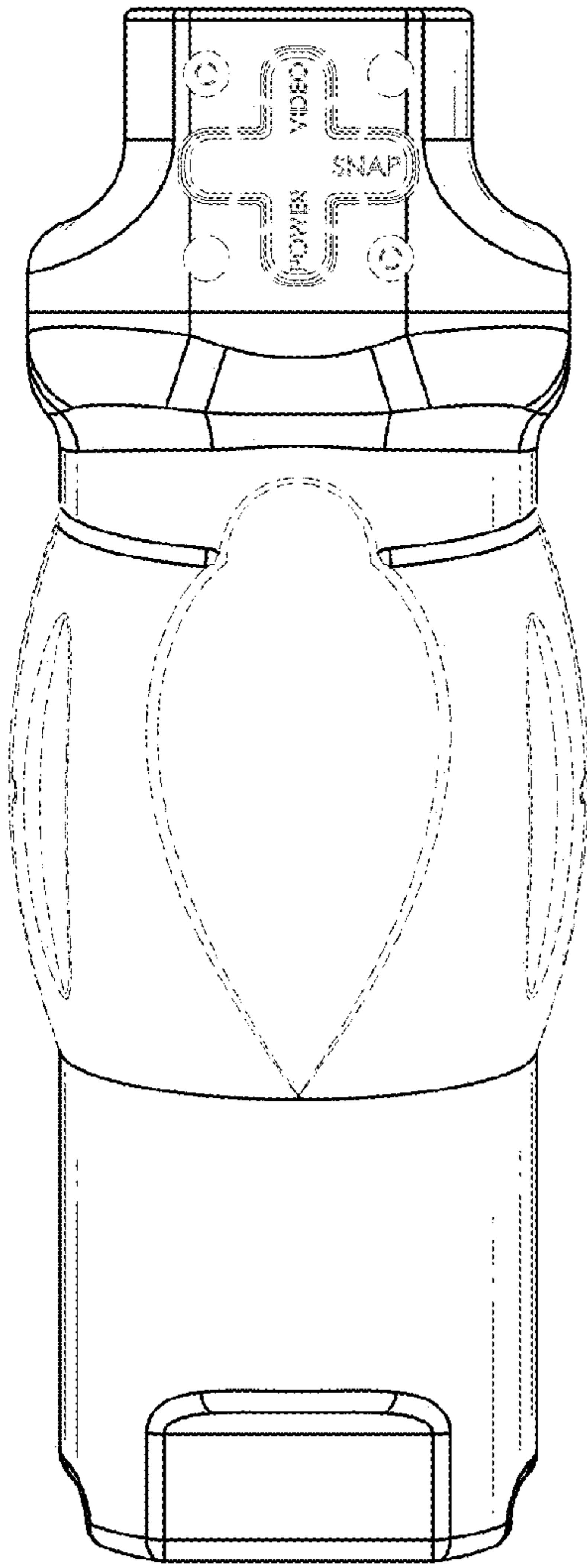


FIG. 9

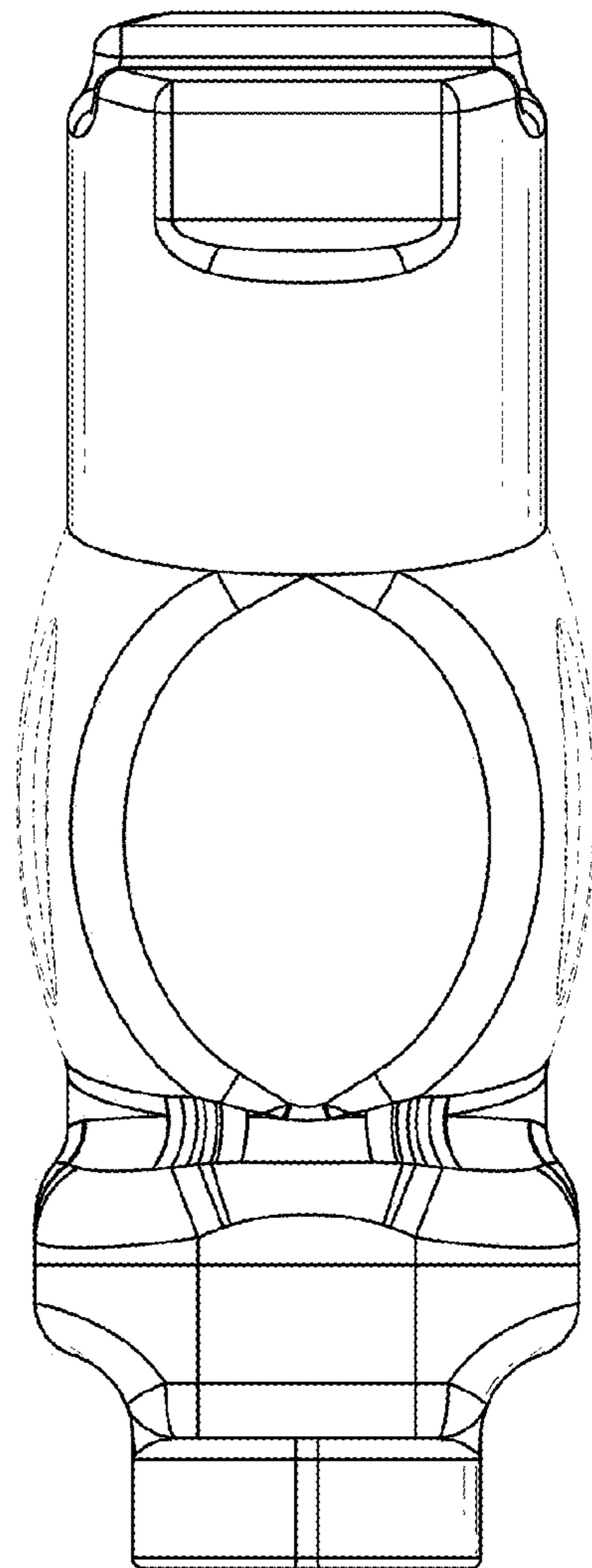


FIG. 10

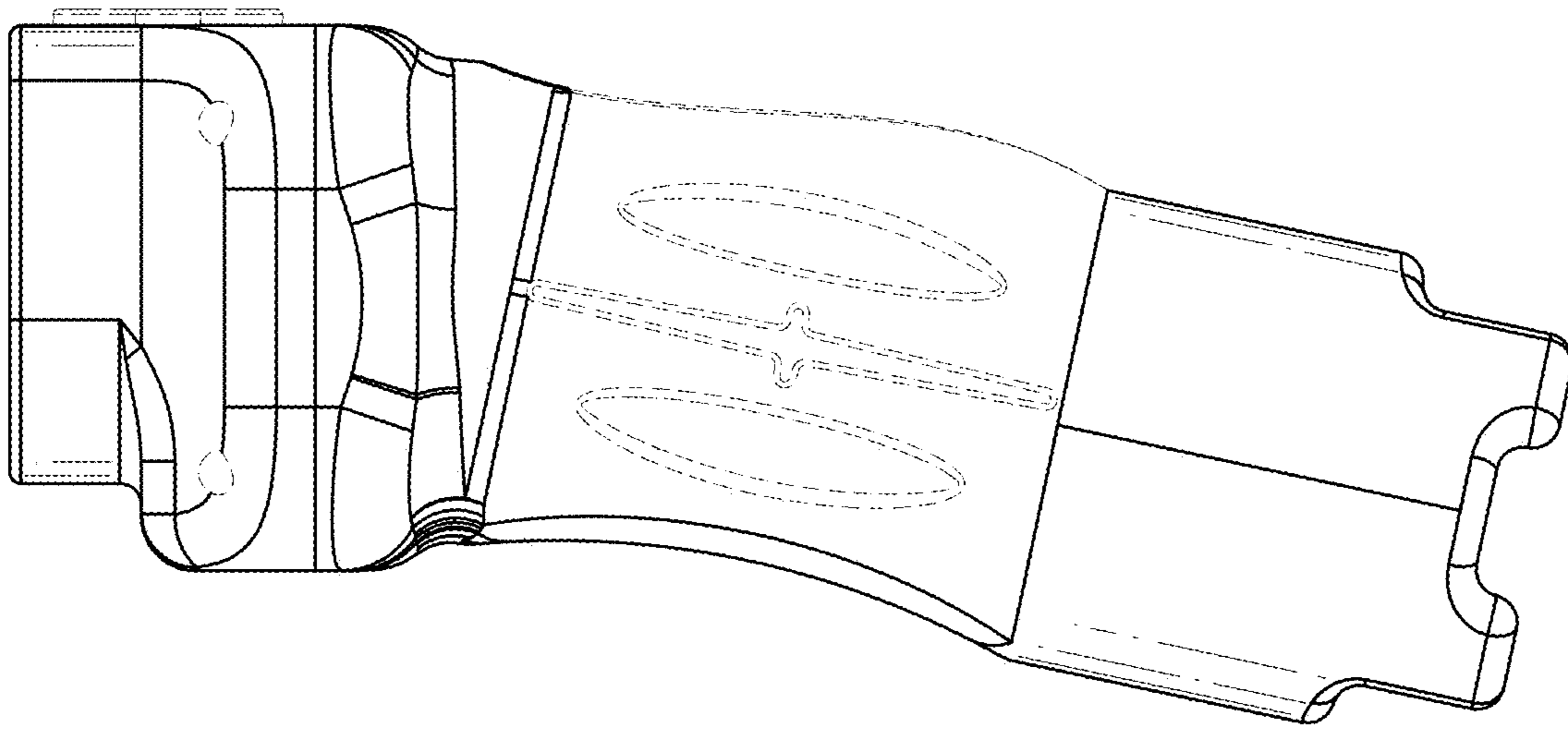


FIG. 11

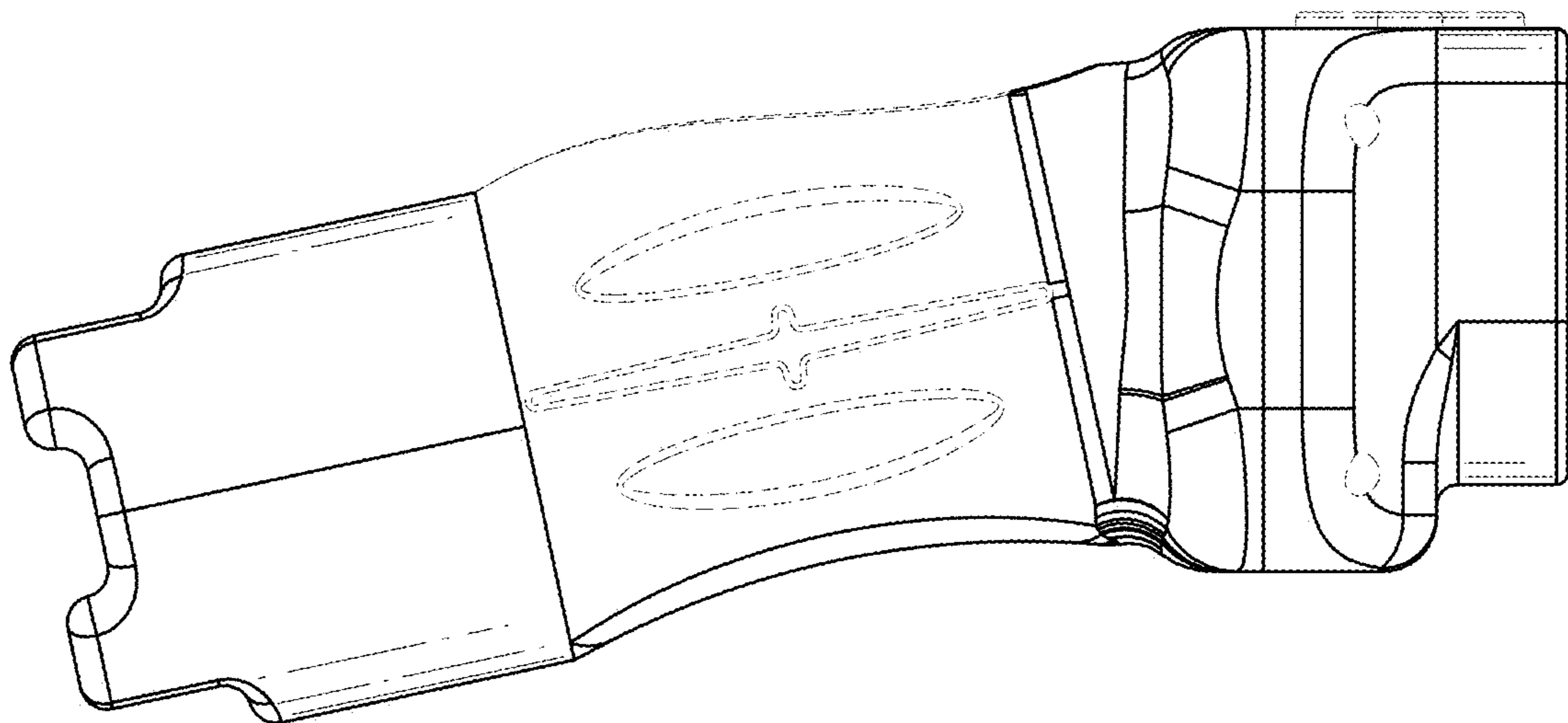


FIG. 12

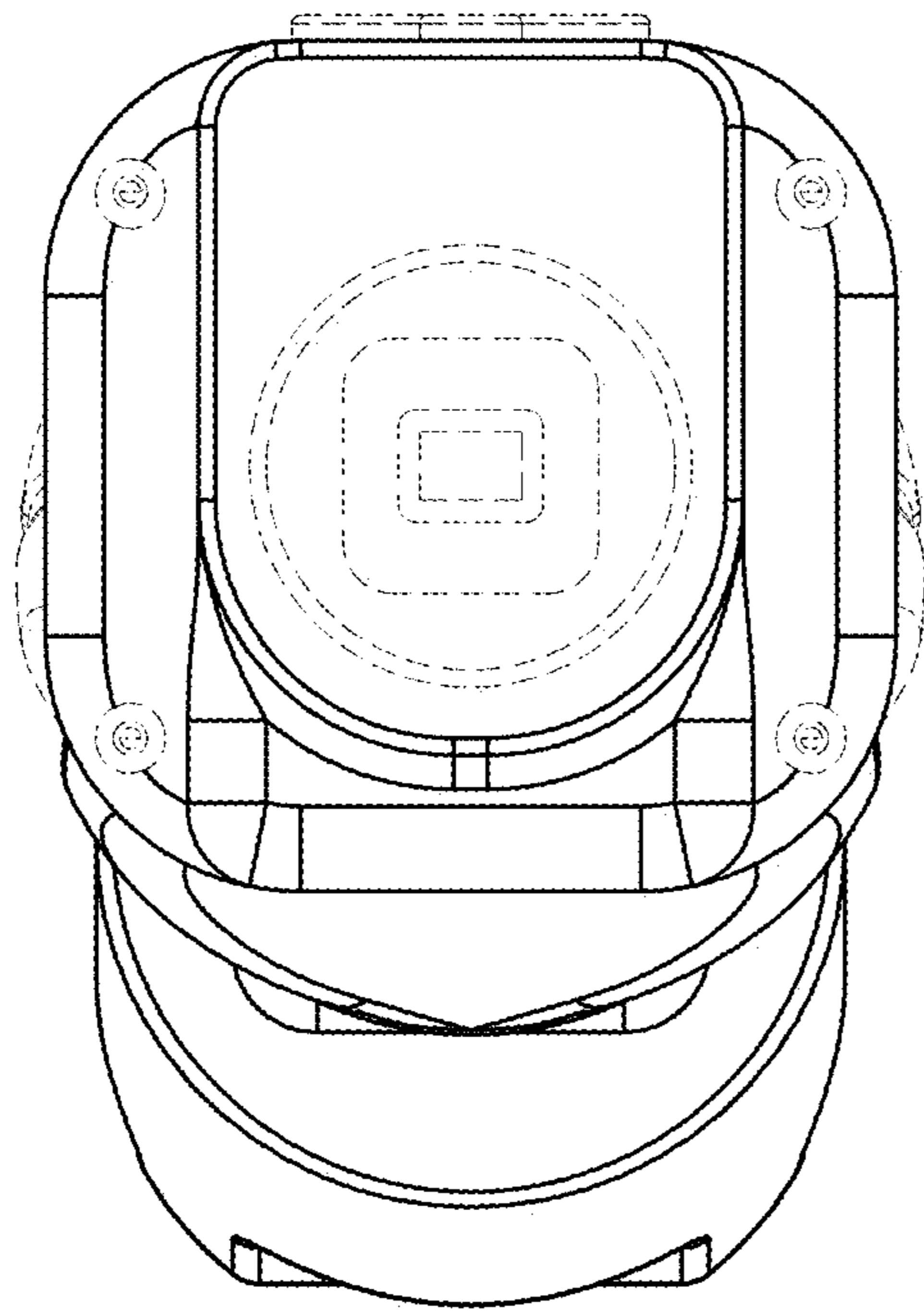


FIG. 13

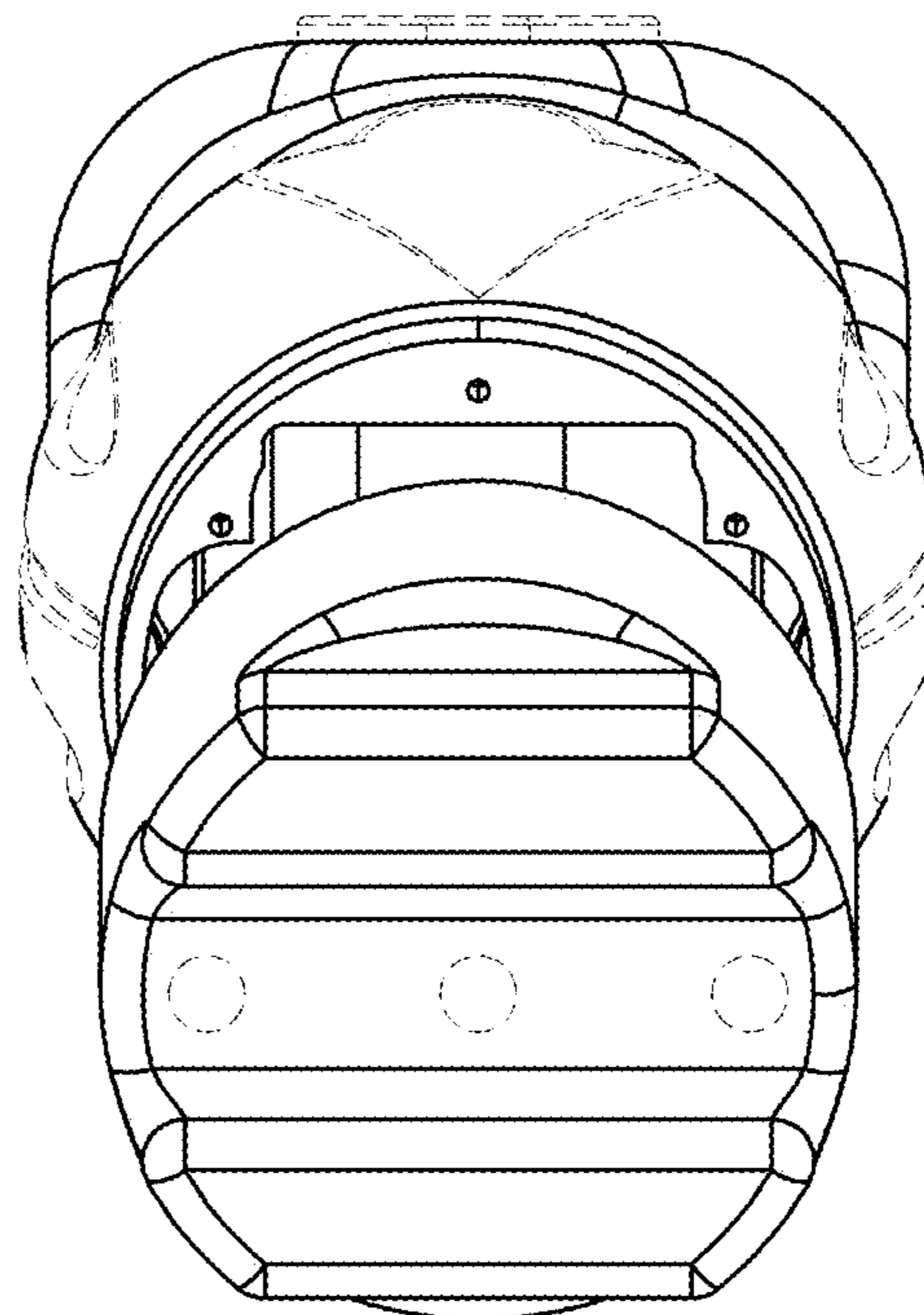
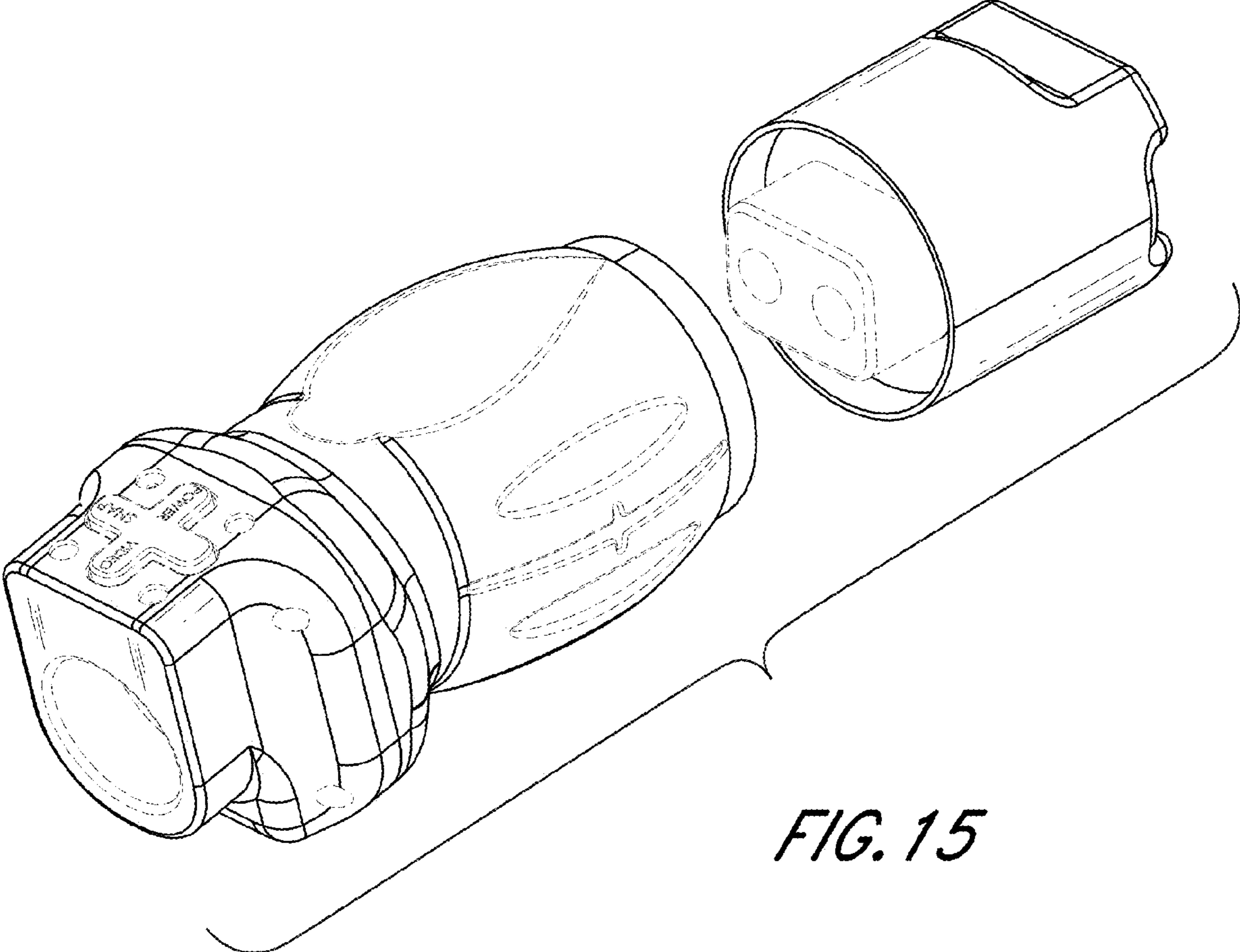


FIG. 14



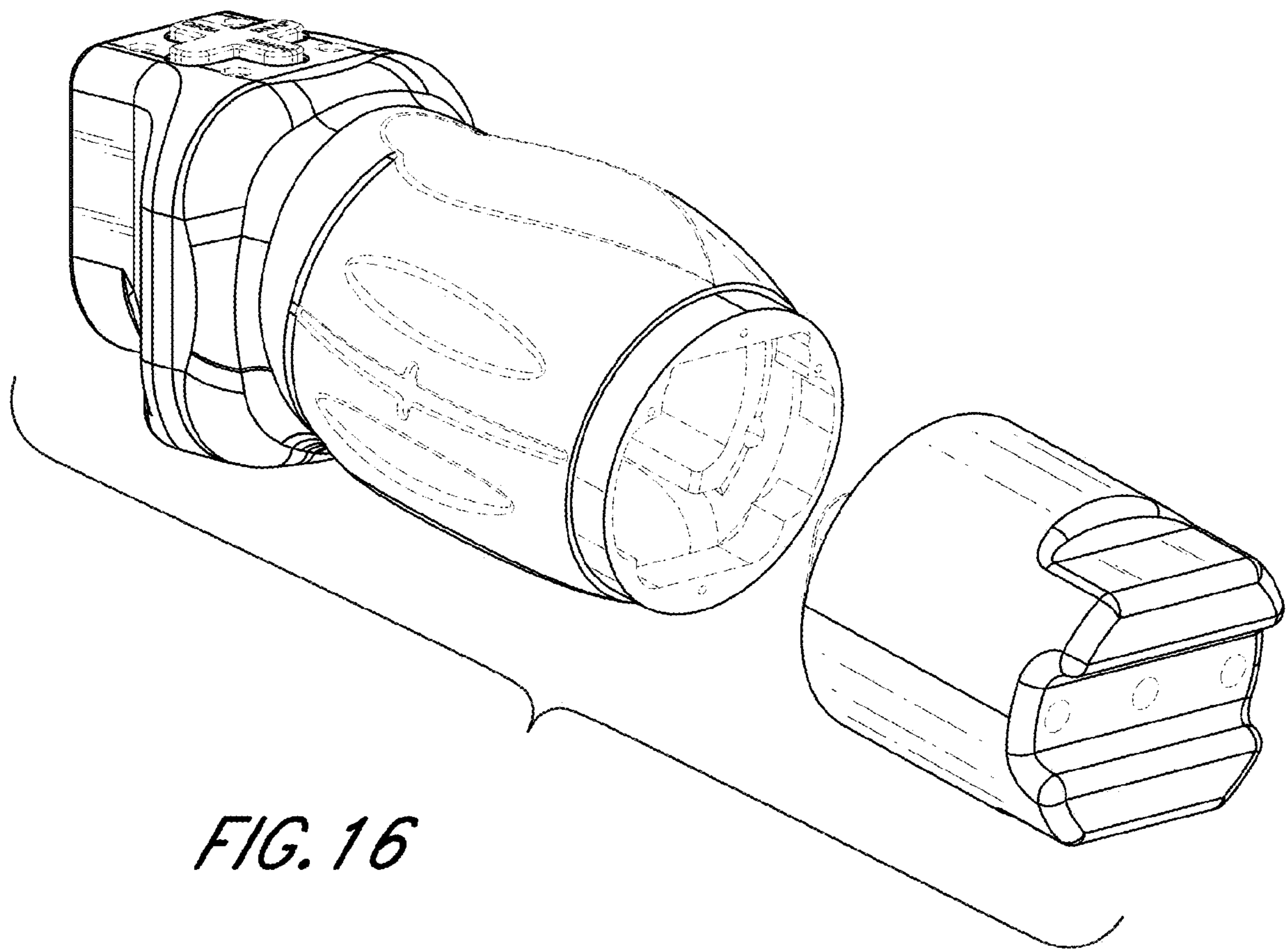


FIG. 16