



US00D976395S

(12) **United States Design Patent** (10) **Patent No.:** **US D976,395 S**
Contreras (45) **Date of Patent:** **** Jan. 24, 2023**

(54) **URINAL**

(71) Applicant: **Margarito Contreras**, Dallas, TX (US)

(72) Inventor: **Margarito Contreras**, Dallas, TX (US)

(**) Term: **15 Years**

(21) Appl. No.: **29/770,802**

(22) Filed: **Feb. 17, 2021**

(51) **LOC (14) Cl.** **24-02**

(52) **U.S. Cl.**

USPC **D24/122**

(58) **Field of Classification Search**

USPC D24/117, 121, 122, 123, 127, 128, 224;
D7/691, 700; D9/523, 528, 572;
D23/200, 302, 303, 309, 295

CPC A61G 9/00; A61G 9/006; A61G 9/003
See application file for complete search history.

(56) **References Cited**

U.S. PATENT DOCUMENTS

1,718,034 A	6/1929	Davis	
1,749,104 A	3/1930	Kovacs	
1,951,871 A	3/1934	Judan	
3,163,869 A	1/1965	Johnson	
3,725,962 A	4/1973	Gouget	
D244,403 S *	5/1977	DeAngelis	D23/302
D245,267 S *	8/1977	Gruber	4/144.1
D357,979 S	5/1995	Evans	
D372,075 S *	7/1996	Baxley	D23/302
D389,240 S *	1/1998	Corona	D24/121
D390,657 S *	2/1998	Asta	D23/302
5,848,443 A	12/1998	Waugh	
6,212,691 B1	4/2001	Heberer	
D582,548 S *	12/2008	Pakes	D24/122
D685,465 S *	7/2013	Reda	D24/122
D771,803 S *	11/2016	Tanguay	D24/122
9,895,034 B1 *	2/2018	Maurras	A47K 11/12
D825,738 S *	8/2018	Mitchell	D24/110
D832,425 S *	10/2018	Adams, III	D24/122

D950,716 S *	5/2022	Schweizer	D24/122
2003/0140409 A1	7/2003	Johnson	
2015/0267862 A1 *	9/2015	Mishler	A61G 7/0503 248/214
2015/0374535 A1 *	12/2015	Davis	A61F 5/453 4/144.1

FOREIGN PATENT DOCUMENTS

GB 6207412 * 5/2022

OTHER PUBLICATIONS

YUMSUM Thick Firm Male Urinal Urine Bottle with Replacement Lids, YUMSUM, Amazon, [Post date: Mar. 11, 2018], [Site seen Sep. 1, 2022], Seen at URL: https://www.amazon.com/YUMSUM-Thick-Urinal-Bottle-1000mL/dp/B07BD1349H/ref=psdc_3760931_t1_B002T08QSW (Year: 2018).*

Carex Female Urinal, Carex, Carex.com, [Post date unknown], [Site seen Sep. 1, 2022], Seen at URL: <https://carex.com/products/carex-female-urinal> (Year: 2022).*

* cited by examiner

Primary Examiner — Natasha Vujcic

Assistant Examiner — Gilbert B Ford

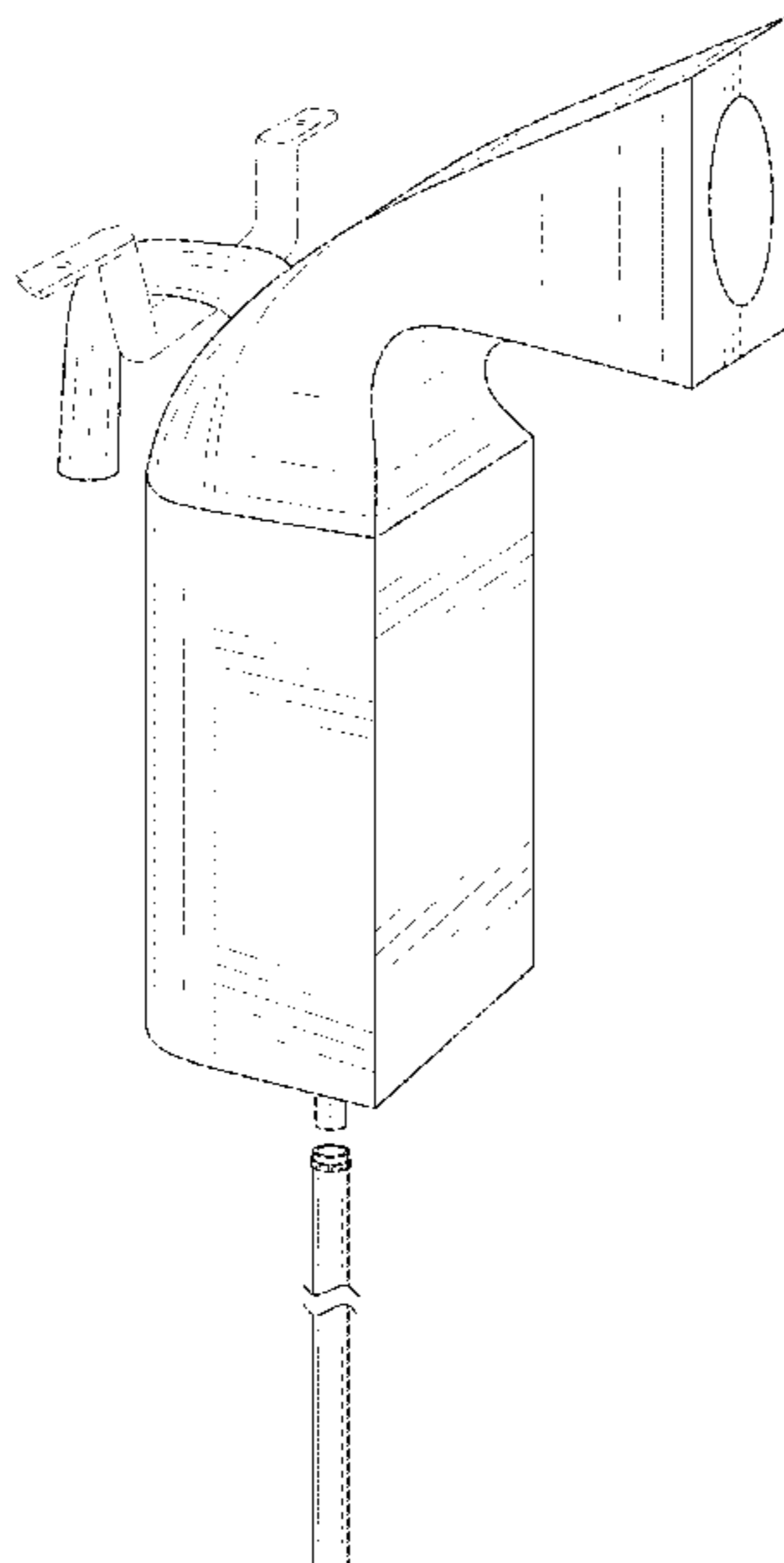
(57) **CLAIM**

The ornamental design for a urinal, as shown and described.

DESCRIPTION

FIG. 1 is a front view of a urinal showing my new design; FIG. 2 is a rear view of the urinal; FIG. 3 is a right side view of the urinal; FIG. 4 is a left side view of the urinal; FIG. 5 is a top view of the urinal; FIG. 6 is a bottom view of the urinal; and, FIG. 7 is a top front side perspective view of the urinal. The broken lines in the drawings illustrate portions of the environment of the urinal and form no part of the claimed design.

1 Claim, 7 Drawing Sheets



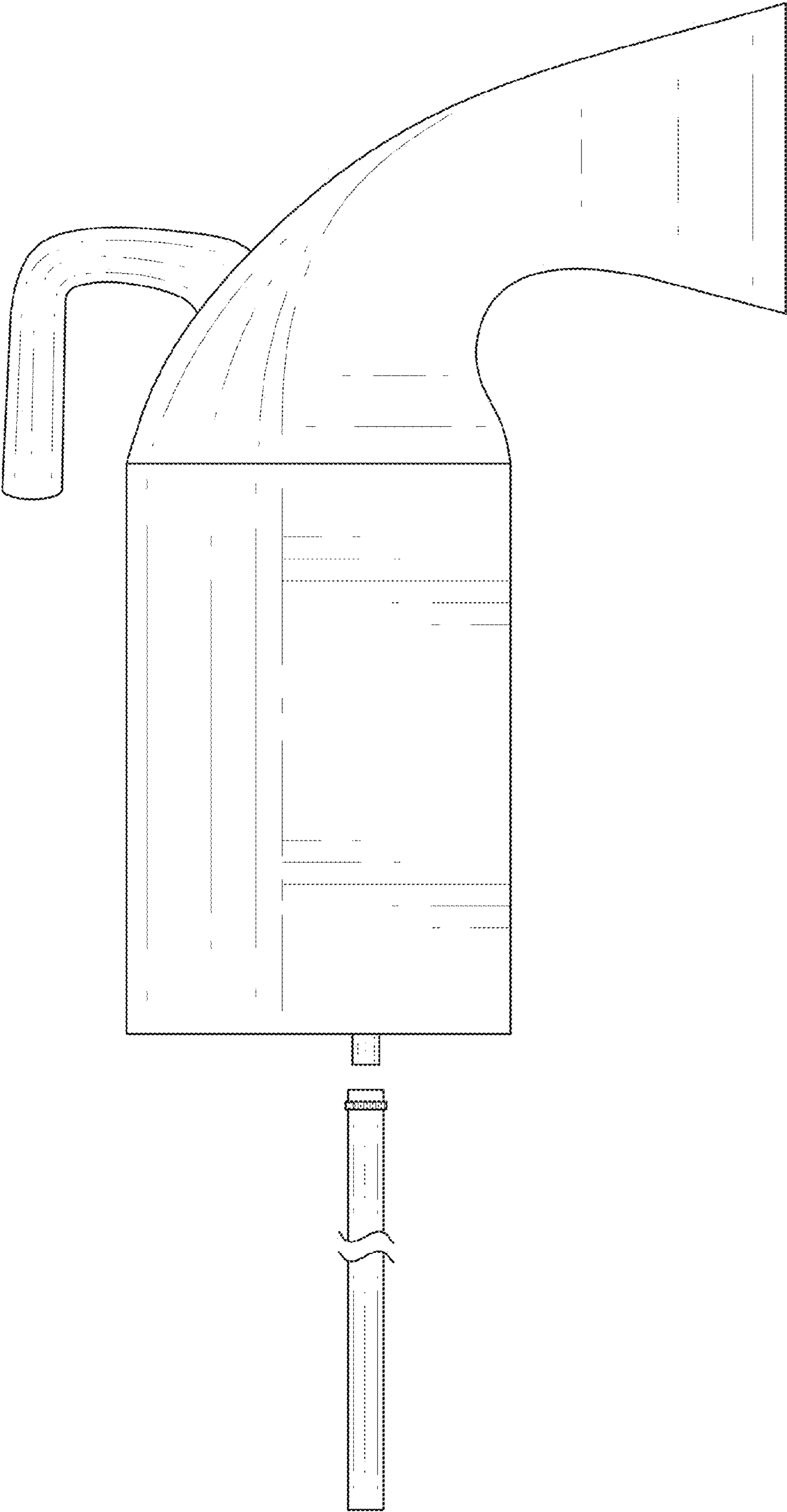


FIG. 1

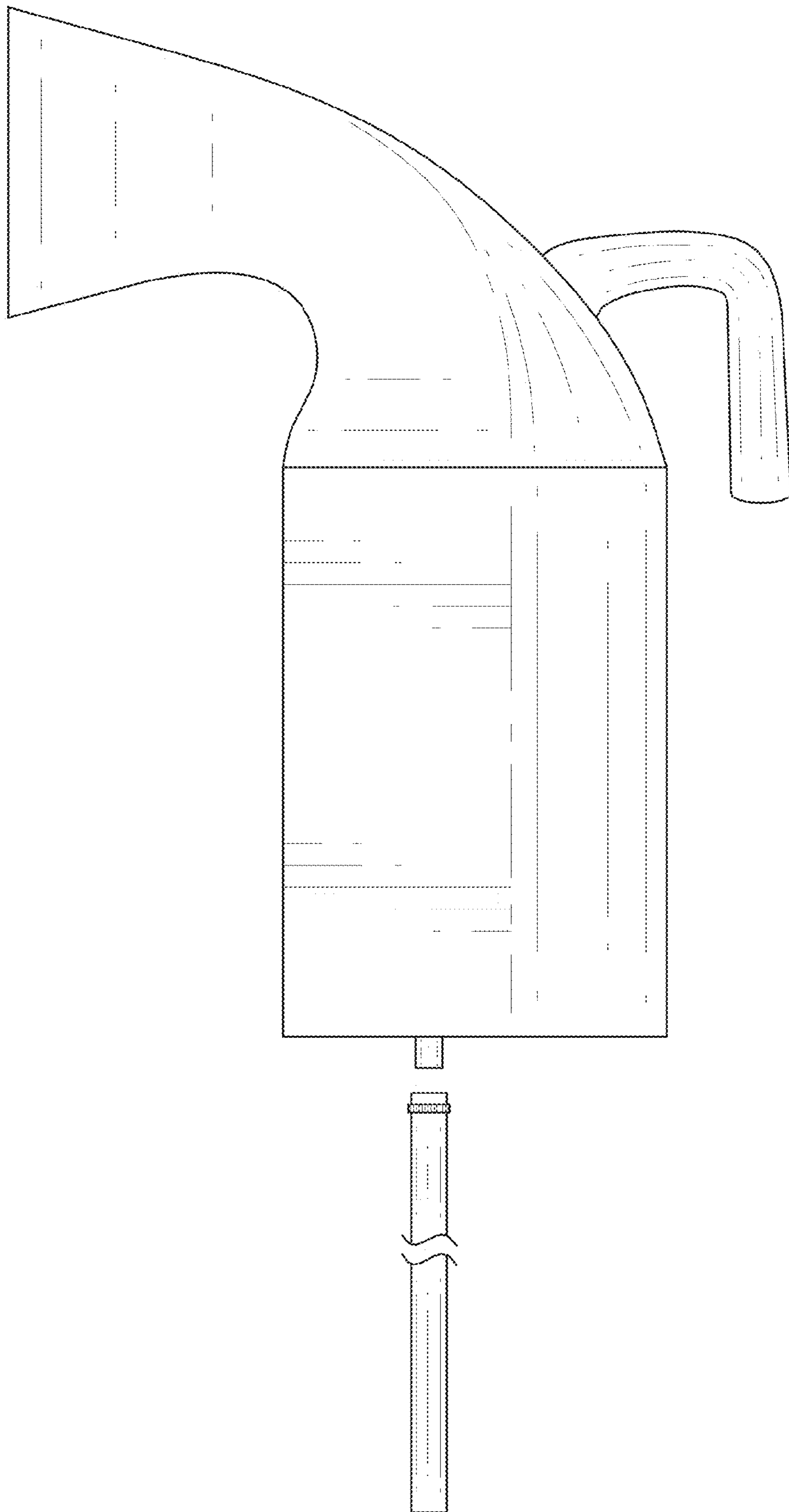


FIG. 2

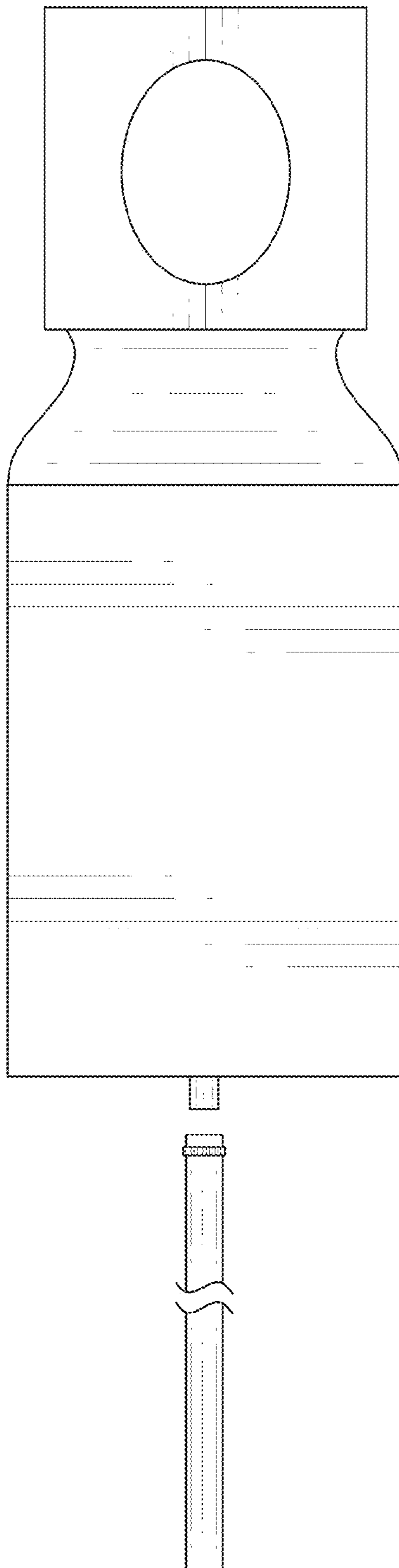


FIG. 3

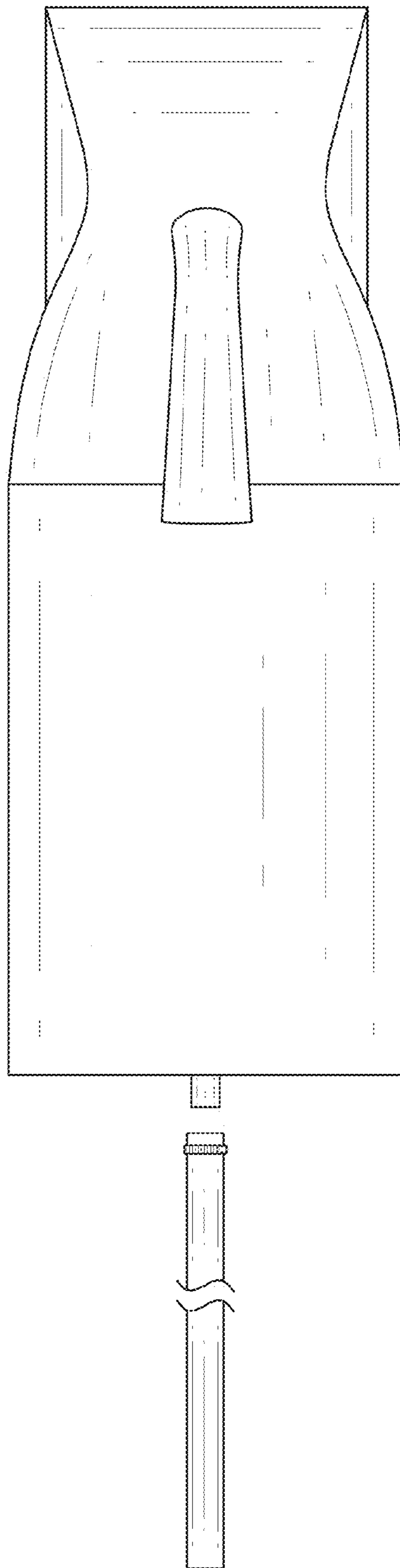


FIG. 4

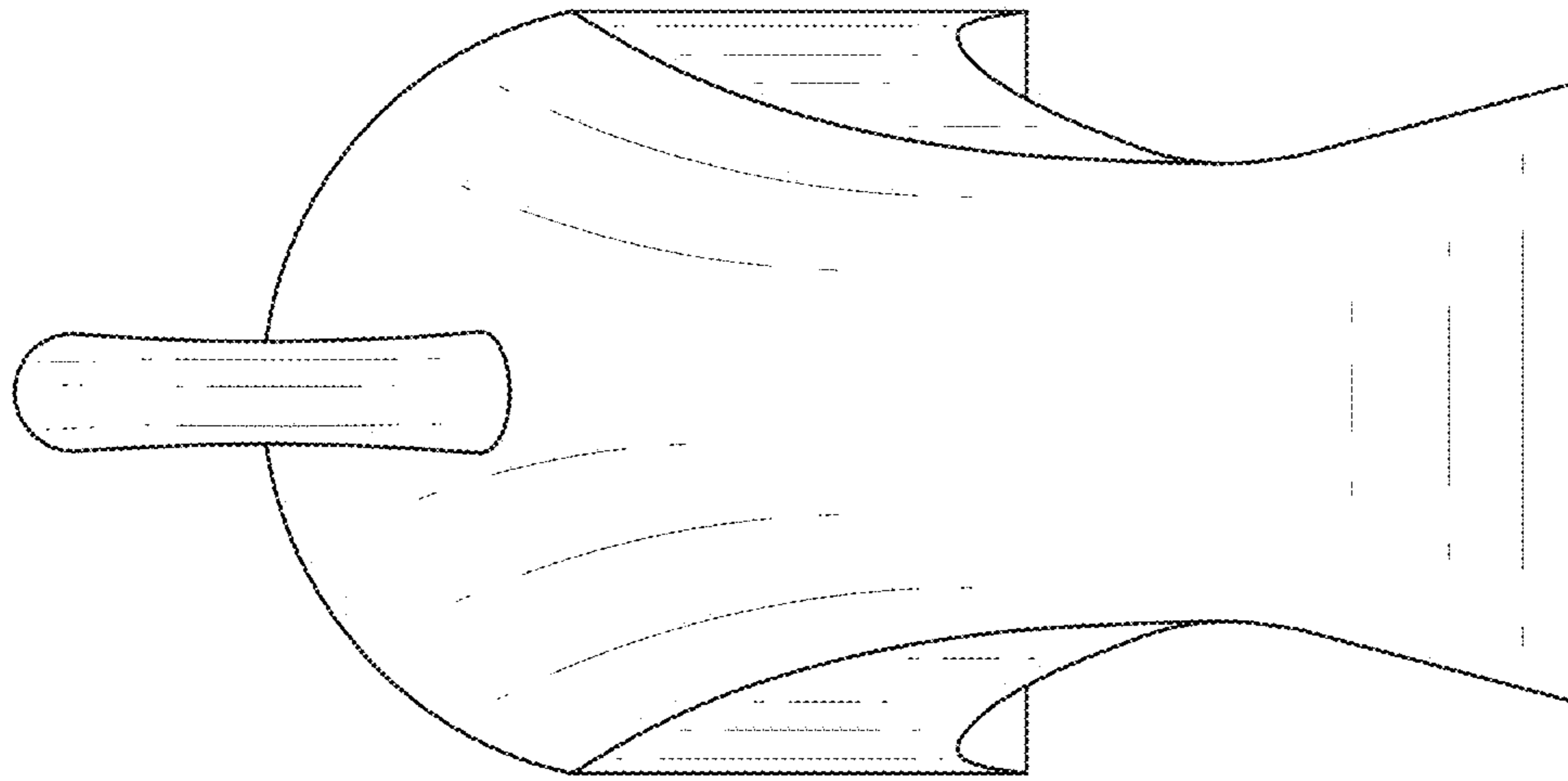


FIG. 5

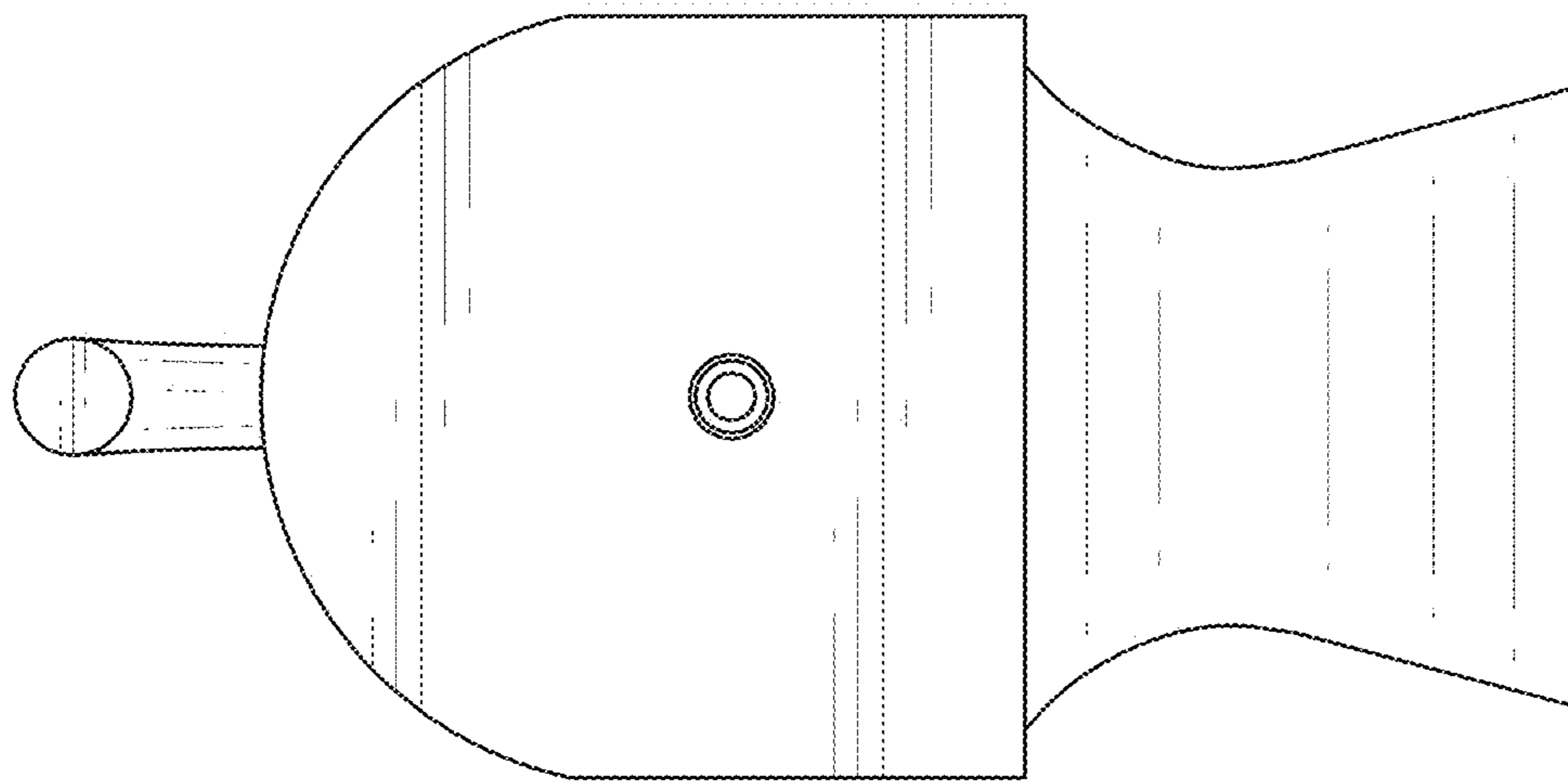


FIG. 6

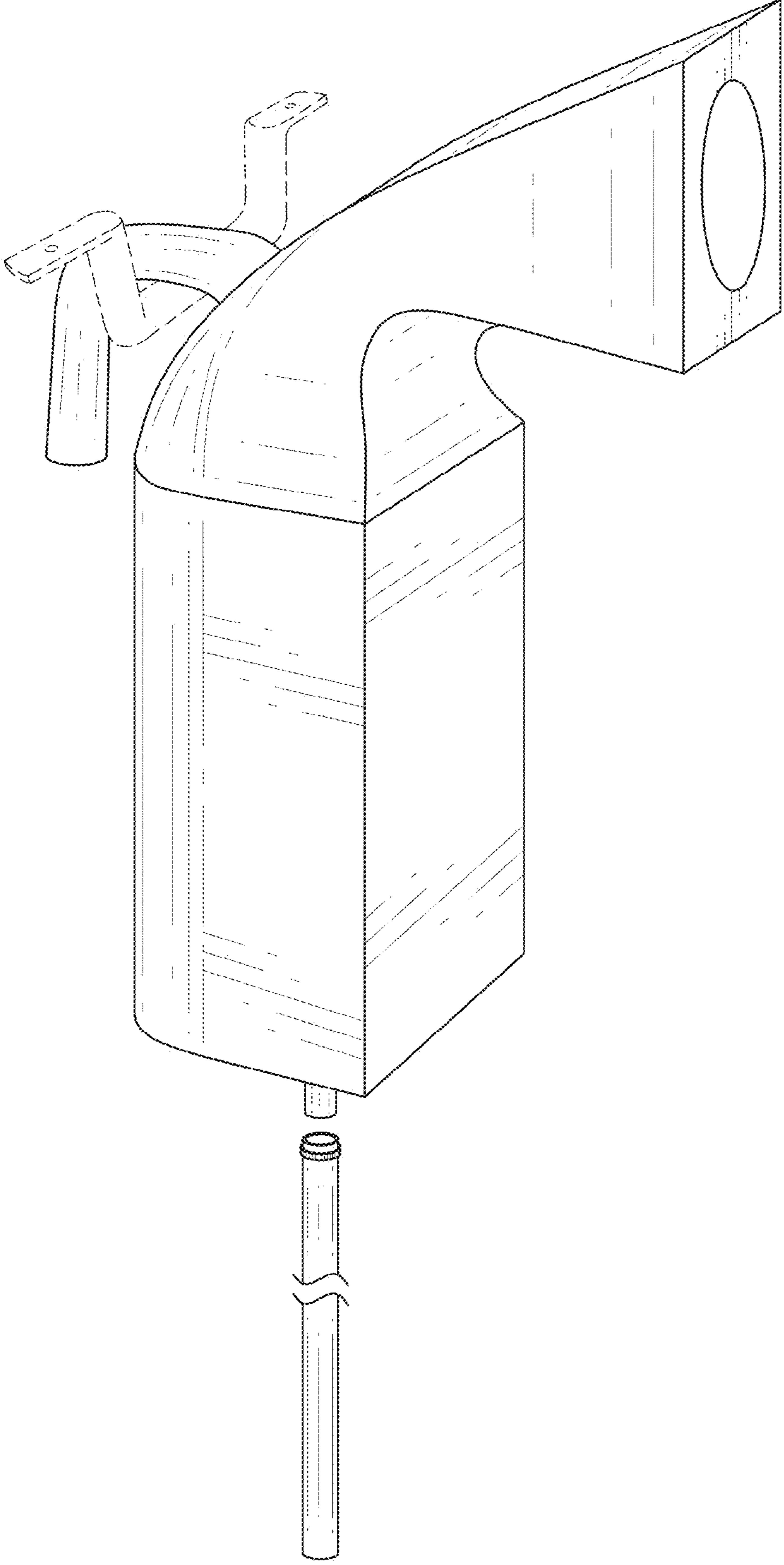


FIG. 7