



US00D976388S

(12) **United States Design Patent** (10) **Patent No.:** **US D976,388 S**
Walls et al. (45) **Date of Patent:** **** Jan. 24, 2023**

(54) **HEADGEAR ASSEMBLY FOR BREATHING INTERFACE**

(71) Applicant: **Fisher & Paykel Healthcare Limited**, Auckland (NZ)

(72) Inventors: **Bruce Michael Walls**, Auckland (NZ); **Rex Gordon Faithfull**, Auckland (NZ); **Arvin San Jose Gardiola**, Auckland (NZ); **Wen Dong Huang**, Auckland (NZ)

(73) Assignee: **Fisher & Paykel Healthcare Limited**, Auckland (NZ)

(**) Term: **15 Years**

(21) Appl. No.: **29/750,183**

(22) Filed: **Sep. 11, 2020**

Related U.S. Application Data

(60) Continuation of application No. 29/725,249, filed on Feb. 24, 2020, now Pat. No. Des. 898,898, which is a continuation of application No. 29/686,954, filed on Apr. 9, 2019, now Pat. No. Des. 879,287, which is a continuation of application No. 29/649,779, filed on Jun. 1, 2018, now Pat. No. Des. 849,930, which is a (Continued)

(51) **LOC (14) Cl.** **29-02**

(52) **U.S. Cl.**
USPC **D24/110.1; D24/110.4**

(58) **Field of Classification Search**
USPC D24/110-110.6, 127, 128; D29/108, 122; D2/627, 636-638
CPC A61M 16/06; A61M 16/0616; A61M 16/0622; A61M 16/0666; A61M 16/0672; A61M 16/0683; A61M 16/08; A61M 16/0816

See application file for complete search history.

(56) **References Cited**

U.S. PATENT DOCUMENTS

D189,112 S 10/1960 Klinger
3,047,876 A 8/1962 Malcolm

(Continued)

Primary Examiner — Mary Shannon Malley

Assistant Examiner — Lee D. Starr

(74) *Attorney, Agent, or Firm* — Knobbe Martens Olson & Bear LLP

(57) **CLAIM**

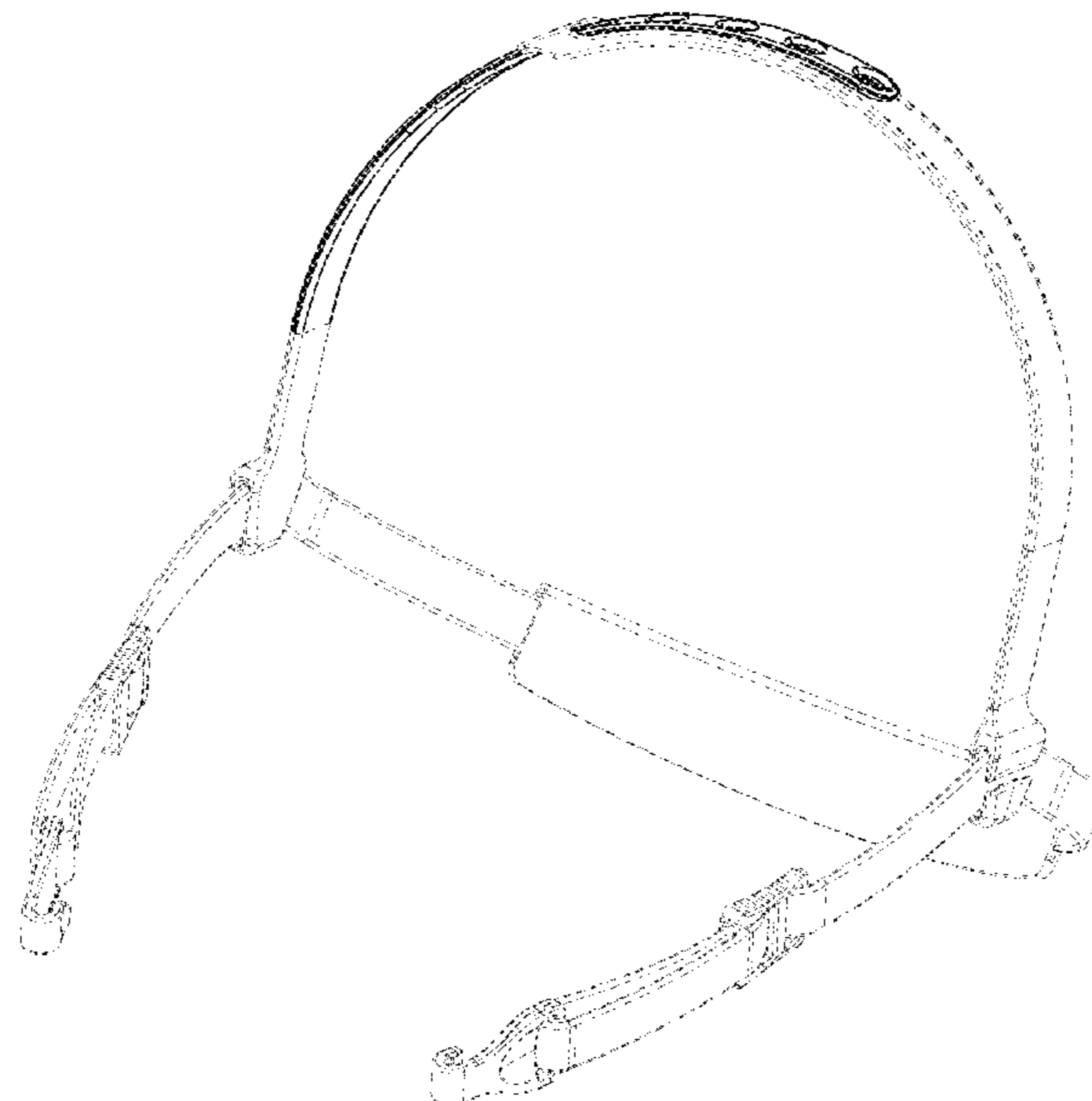
The ornamental design for a headgear assembly for breathing interface, as shown and described.

DESCRIPTION

FIG. 1 is a rear, right side perspective view of a crown strap portion of a headgear assembly for breathing interface; FIG. 2 is a right side view of the crown strap portion thereof; FIG. 3 is a rear view of the crown strap portion thereof; FIG. 4 is a left side view of the crown strap portion thereof; FIG. 5 is a top view of the crown strap portion thereof; FIG. 6 is a front view of the crown strap portion thereof; FIG. 7 is a bottom view of the crown strap portion thereof; FIG. 8 is a front, right side perspective view of the headgear assembly for breathing interface; FIG. 9 is a rear, right side perspective view thereof; FIG. 10 is a right side view thereof; FIG. 11 is a rear view thereof; FIG. 12 is a left side view thereof; FIG. 13 is a top view thereof; FIG. 14 is a front view thereof; and, FIG. 15 is a bottom view thereof.

Broken lines are used to illustrate portions of the headgear assembly for breathing interface that form no part of the claimed design.

1 Claim, 12 Drawing Sheets



Related U.S. Application Data

division of application No. 29/582,556, filed on Oct. 28, 2016, now Pat. No. Des. 822,194, which is a division of application No. 29/490,331, filed on May 8, 2014, now Pat. No. Des. 771,239.

(56)

References Cited

U.S. PATENT DOCUMENTS

3,457,564 A 7/1969 Holloway
 5,517,986 A 5/1996 Starr et al.
 D383,204 S 9/1997 Lomas
 6,119,694 A 9/2000 Correa et al.
 D487,312 S 3/2004 Bailey
 D542,912 S 5/2007 Gunaratnam
 D653,748 S 2/2012 Henry
 D668,328 S 10/2012 Hill et al.
 D685,463 S 7/2013 Veliss et al.
 D692,554 S 10/2013 Siew et al.
 D693,459 S 11/2013 Prentice et al.
 D696,767 S 12/2013 Scheiner et al.
 D704,329 S 5/2014 Collazo et al.
 D706,413 S 6/2014 Veliss et al.
 D709,181 S 7/2014 Henry et al.
 8,839,785 B2 9/2014 Castiglione et al.
 8,875,318 B2 11/2014 Huh
 D749,205 S 2/2016 Chen et al.
 D757,252 S 5/2016 Von Moger et al.
 D762,844 S 8/2016 Siew et al.
 D770,036 S 10/2016 Walls et al.
 D771,239 S 11/2016 Walls et al.
 9,517,320 B2 12/2016 Barlow et al.
 9,629,974 B2 4/2017 Gibson et al.
 D787,662 S 5/2017 Guney et al.
 D797,921 S 9/2017 Huang et al.
 D815,728 S 4/2018 Walls et al.
 D822,194 S 7/2018 Walls et al.
 10,039,894 B2 8/2018 Walls et al.
 D849,930 S 5/2019 Walls et al.
 D867,577 S 11/2019 Walls et al.

D874,646 S * 2/2020 Gordon D24/110.4
 D875,242 S 2/2020 Gordon et al.
 D879,287 S 3/2020 Walls et al.
 10,668,242 B2 6/2020 Bearne et al.
 D892,305 S * 8/2020 Walls D24/110.4
 D898,898 S * 10/2020 Walls D24/110.4
 2006/0196511 A1 9/2006 Lau et al.
 2006/0237017 A1 10/2006 Davidson et al.
 2007/0245466 A1 10/2007 Lilenthal et al.
 2009/0044808 A1 2/2009 Guney et al.
 2009/0183739 A1 7/2009 Wondka
 2010/0258136 A1 10/2010 Doherty
 2011/0000492 A1 1/2011 Veliss
 2011/0232649 A1 9/2011 Collazo et al.
 2011/0259335 A1 10/2011 Sullivan
 2011/0308520 A1 12/2011 McAuley et al.
 2012/0067349 A1 3/2012 Barlow et al.
 2012/0090622 A1 4/2012 Chang
 2013/0042871 A1 2/2013 Chang
 2013/0186403 A1 7/2013 Chang
 2013/0199537 A1 8/2013 Formica et al.
 2013/0220327 A1 8/2013 Barlow et al.
 2014/0000614 A1 1/2014 Chang
 2014/0283843 A1 9/2014 Eves
 2015/0151071 A1 6/2015 Von Moger et al.
 2015/0335848 A1 11/2015 Eury et al.
 2016/0015921 A1 1/2016 Harrison et al.
 2016/0074611 A1 3/2016 Higgins et al.
 2016/0074614 A1 3/2016 Huddart et al.
 2016/0271354 A1 9/2016 Grashow et al.
 2016/0287830 A1 10/2016 Walls et al.
 2016/0317772 A1 11/2016 Ging et al.
 2017/0021121 A1 1/2017 Guney et al.
 2017/0080173 A1 3/2017 Barlow et al.
 2018/0318541 A1 11/2018 Walls et al.
 2019/0030272 A1 1/2019 Graham et al.
 2019/0151592 A1 5/2019 Bornholdt et al.
 2019/0217040 A1 7/2019 Amarasinghe
 2020/0114109 A1 4/2020 Klenner et al.
 2020/0179636 A1 6/2020 Gunaratnam et al.

* cited by examiner

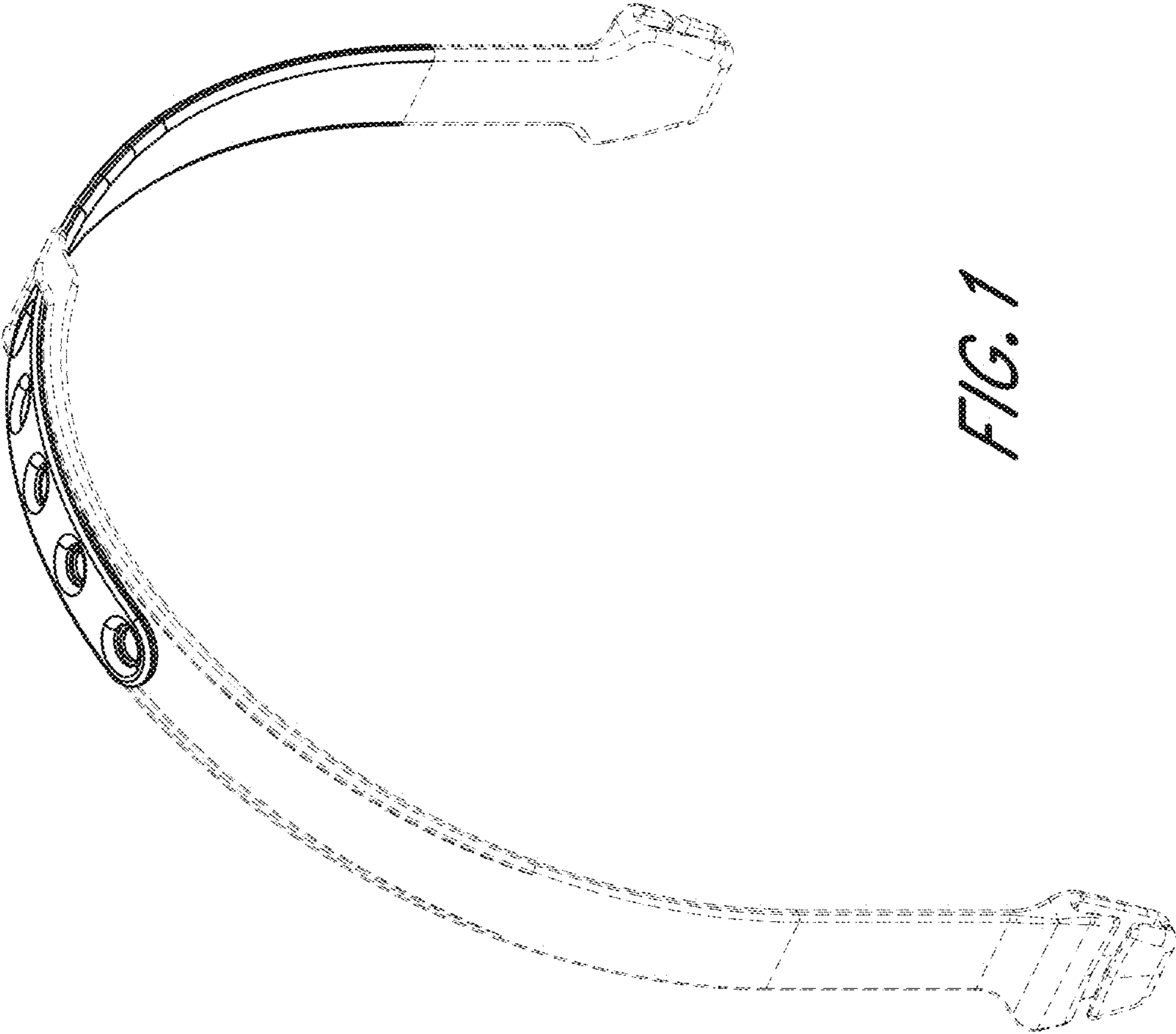


FIG. 1



FIG. 3



FIG. 2

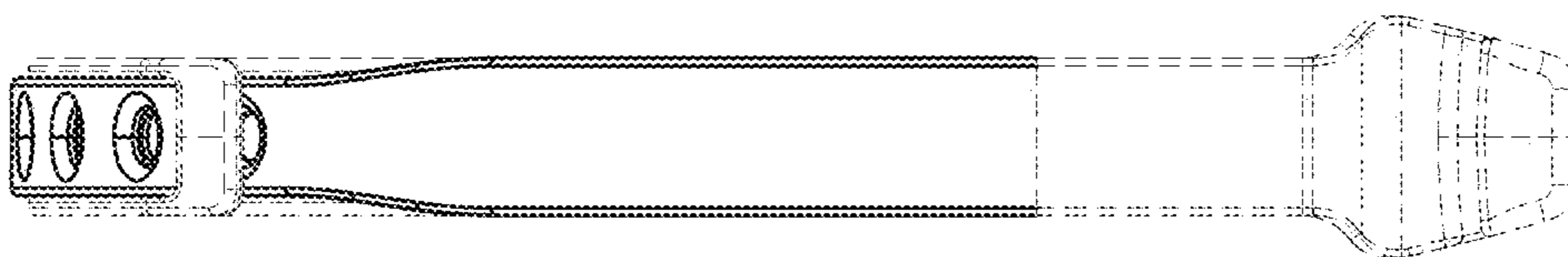


FIG. 4

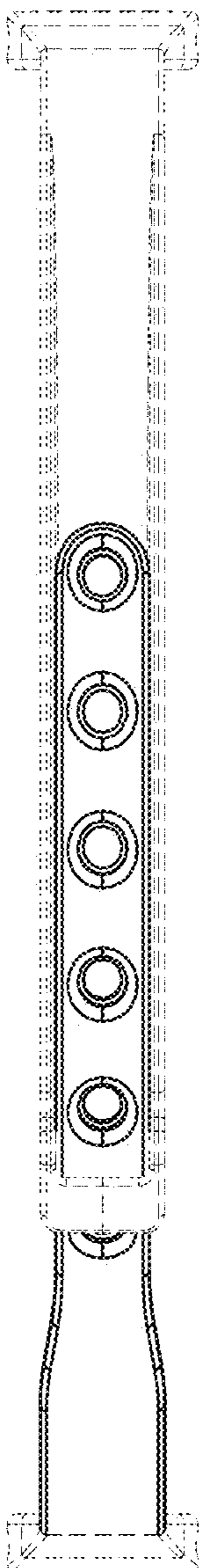


FIG. 5

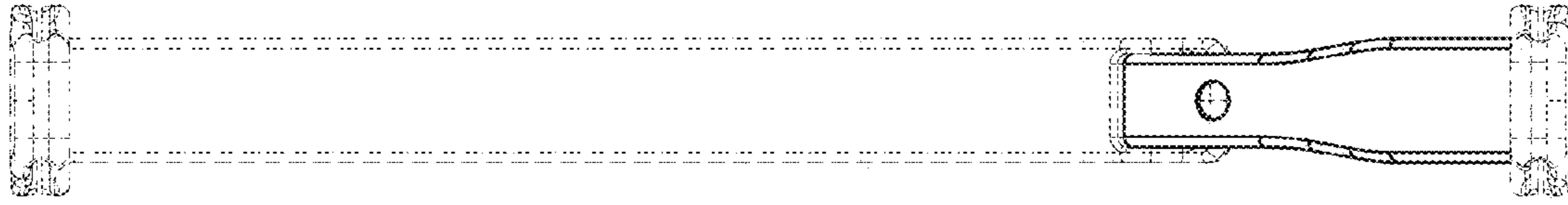


FIG. 7



FIG. 6

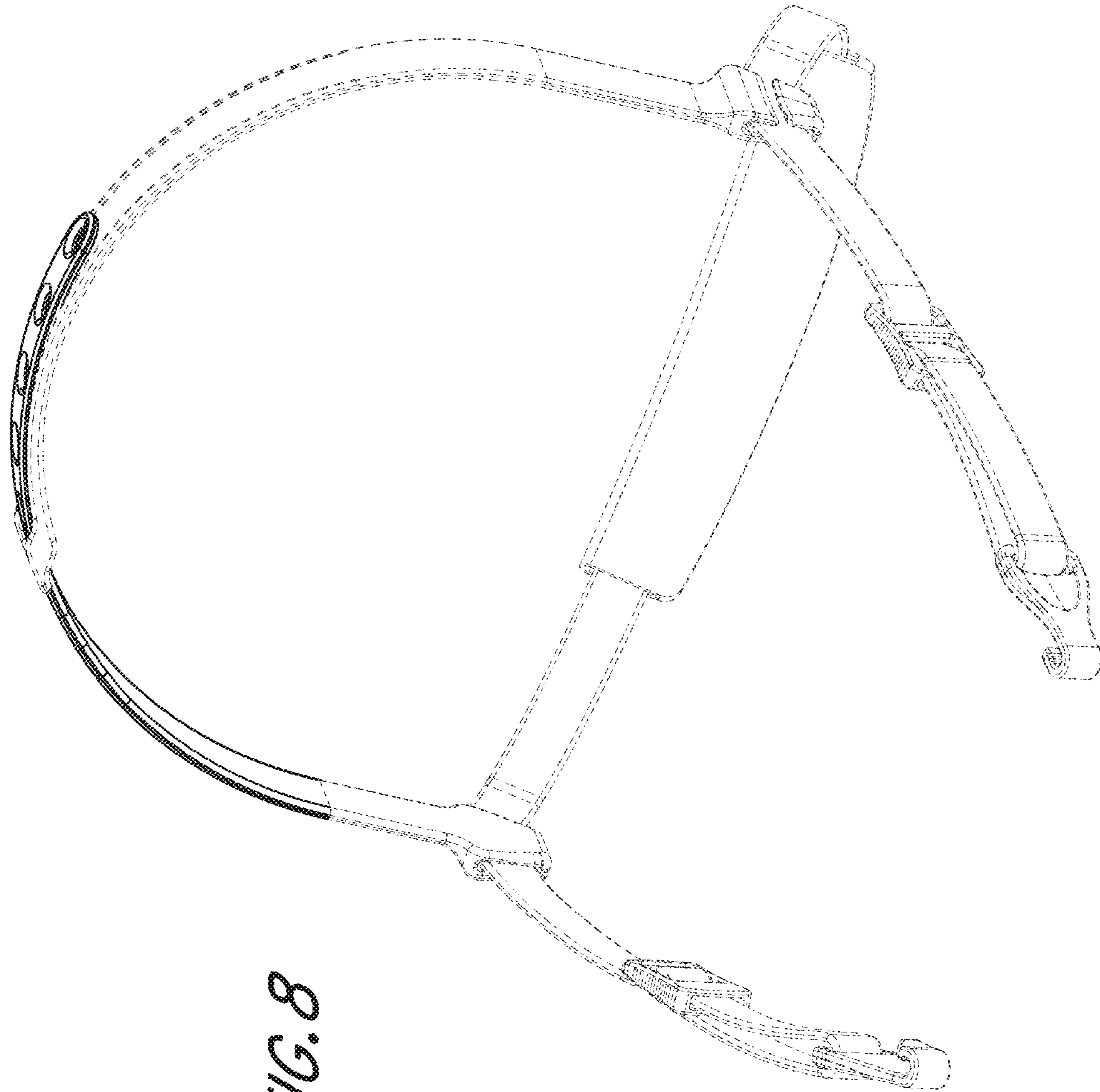


FIG. 8

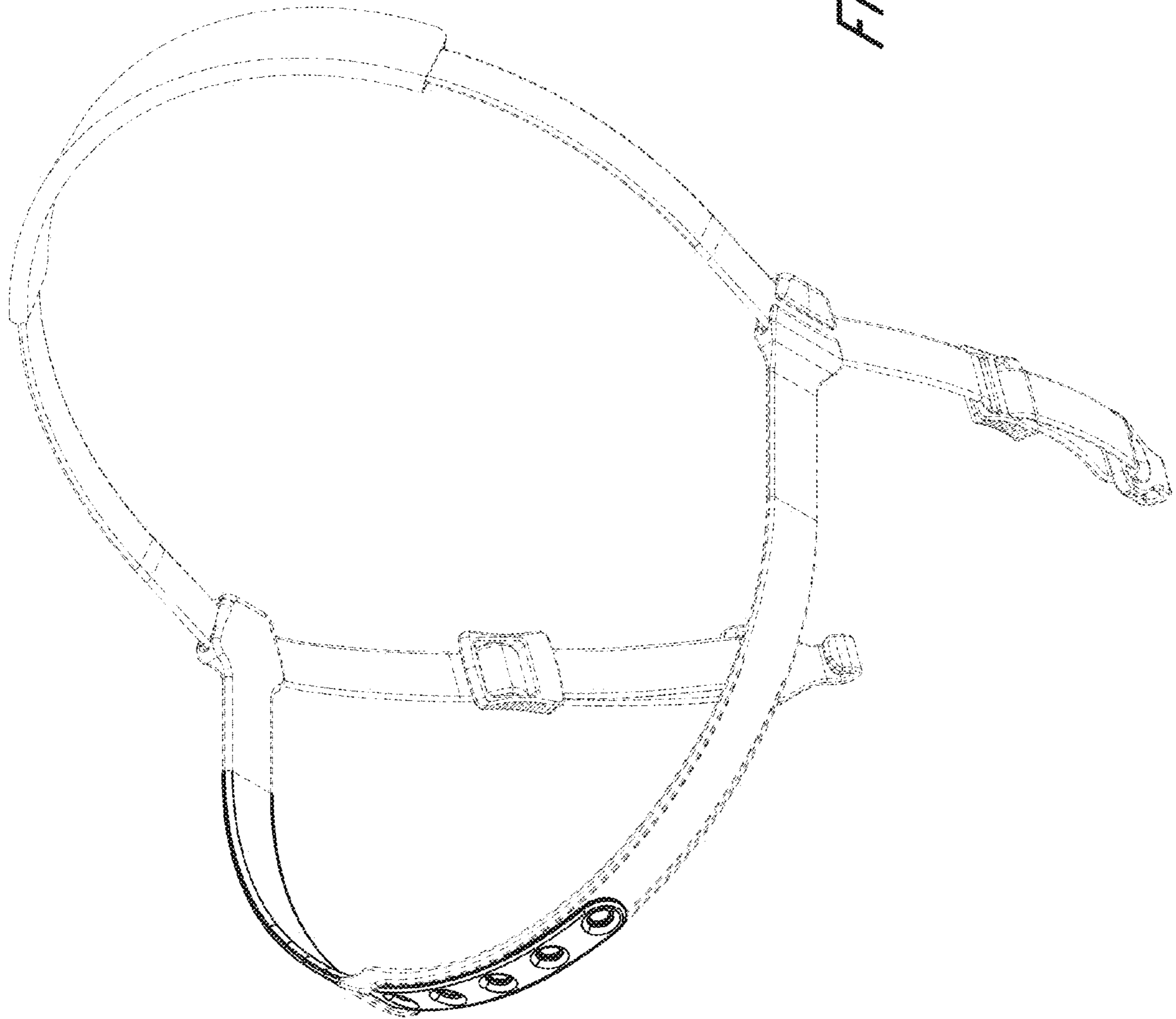


FIG. 9

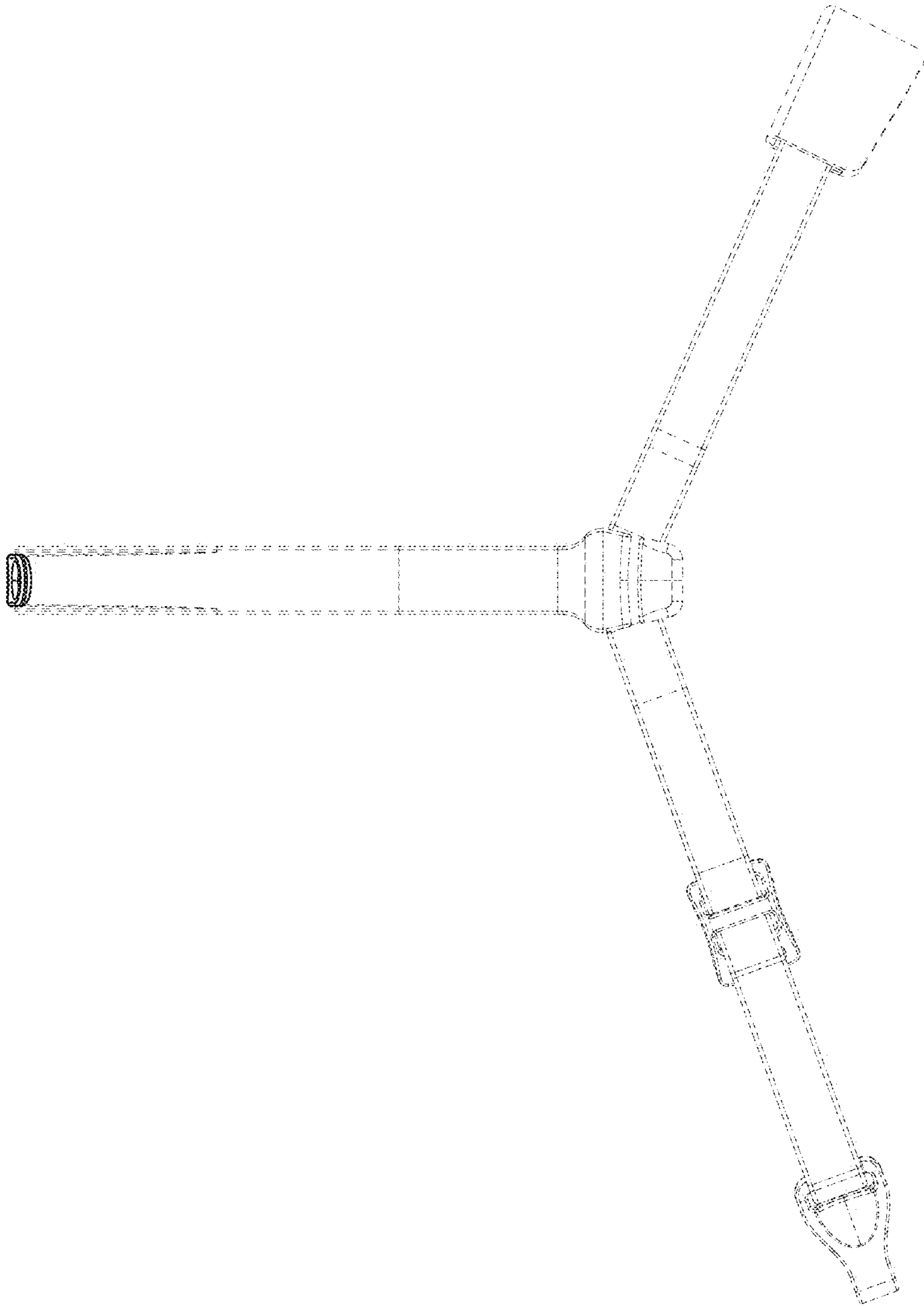


FIG. 10

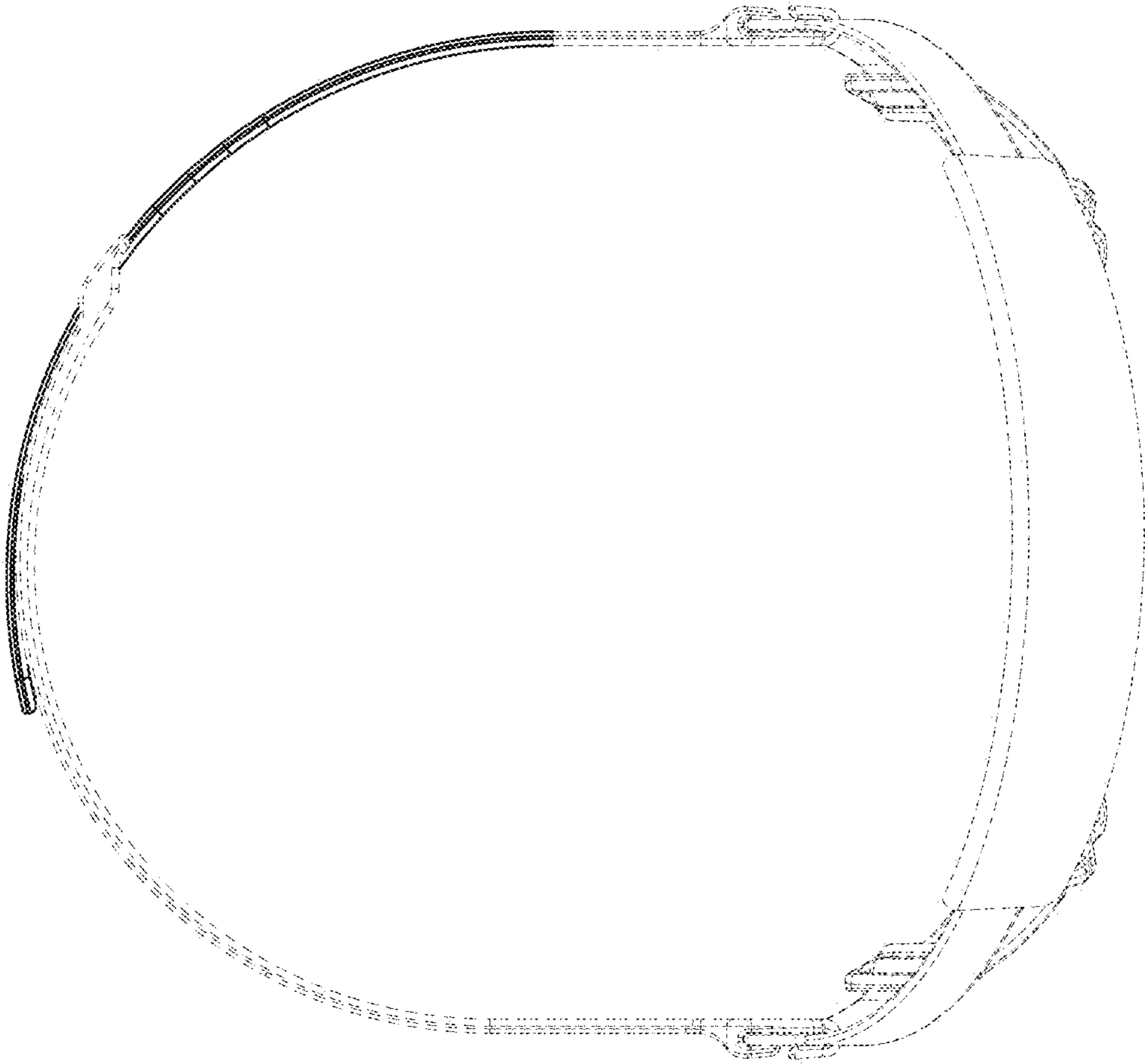


FIG. 11

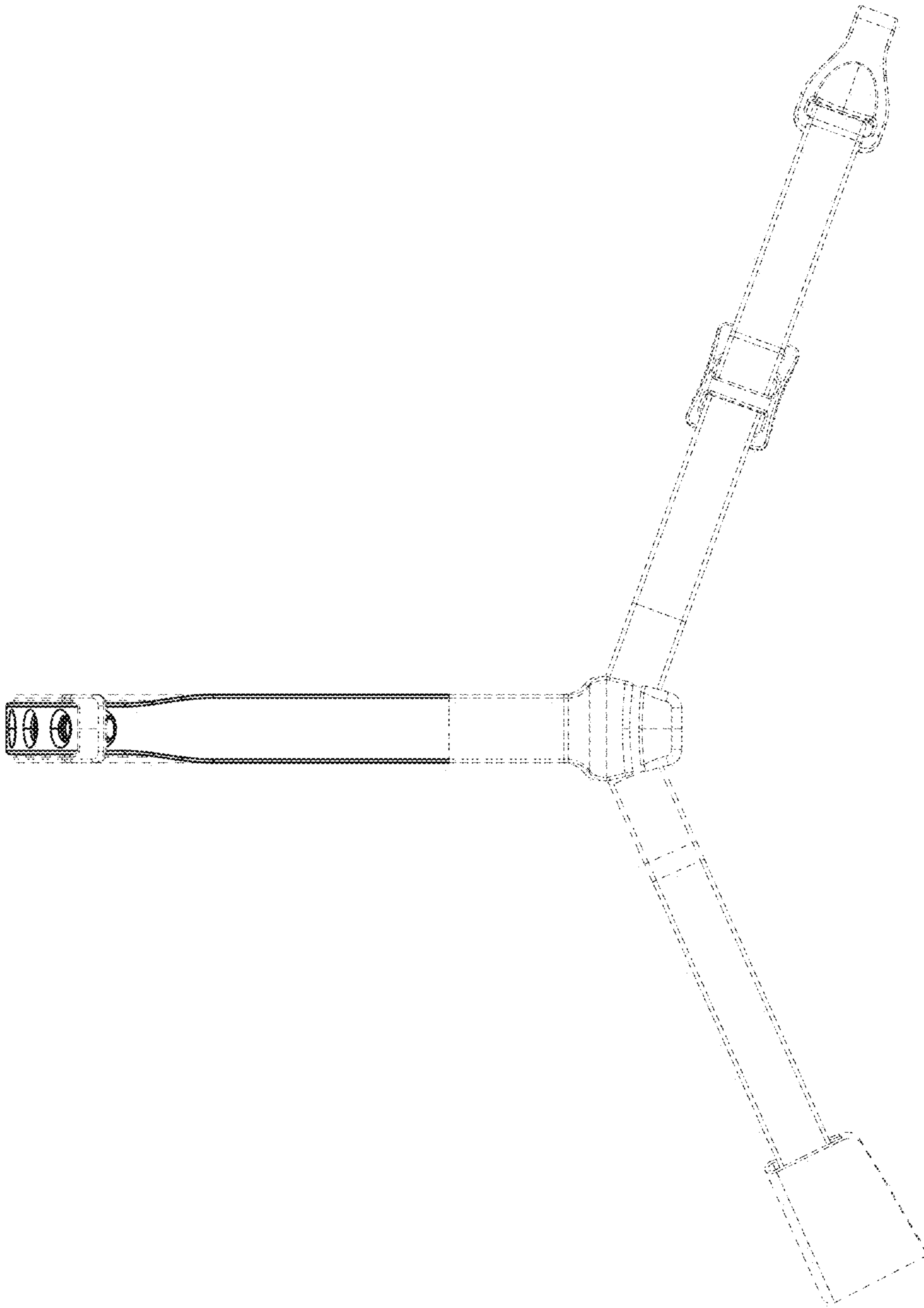


FIG. 12



FIG. 13

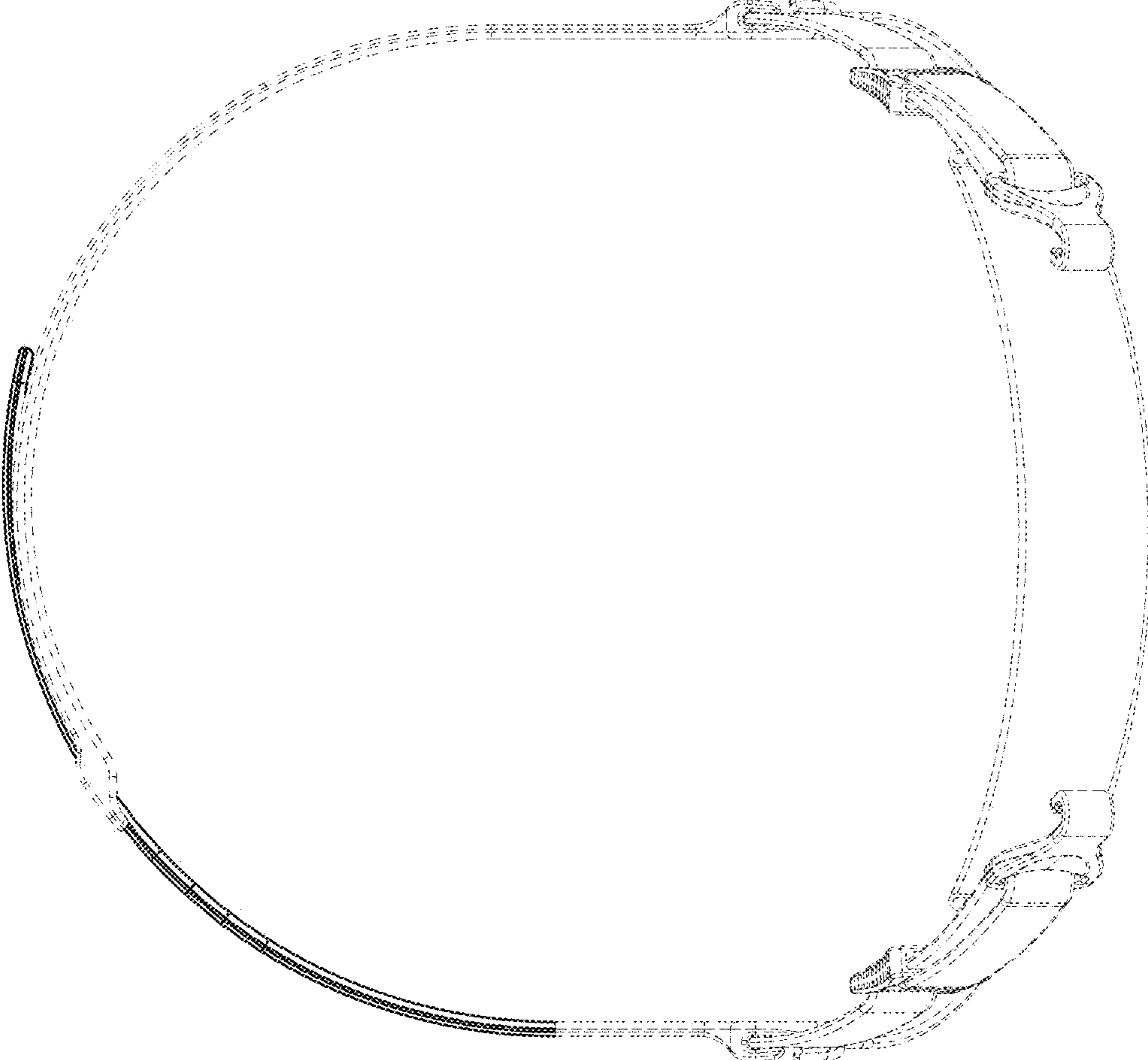


FIG. 14

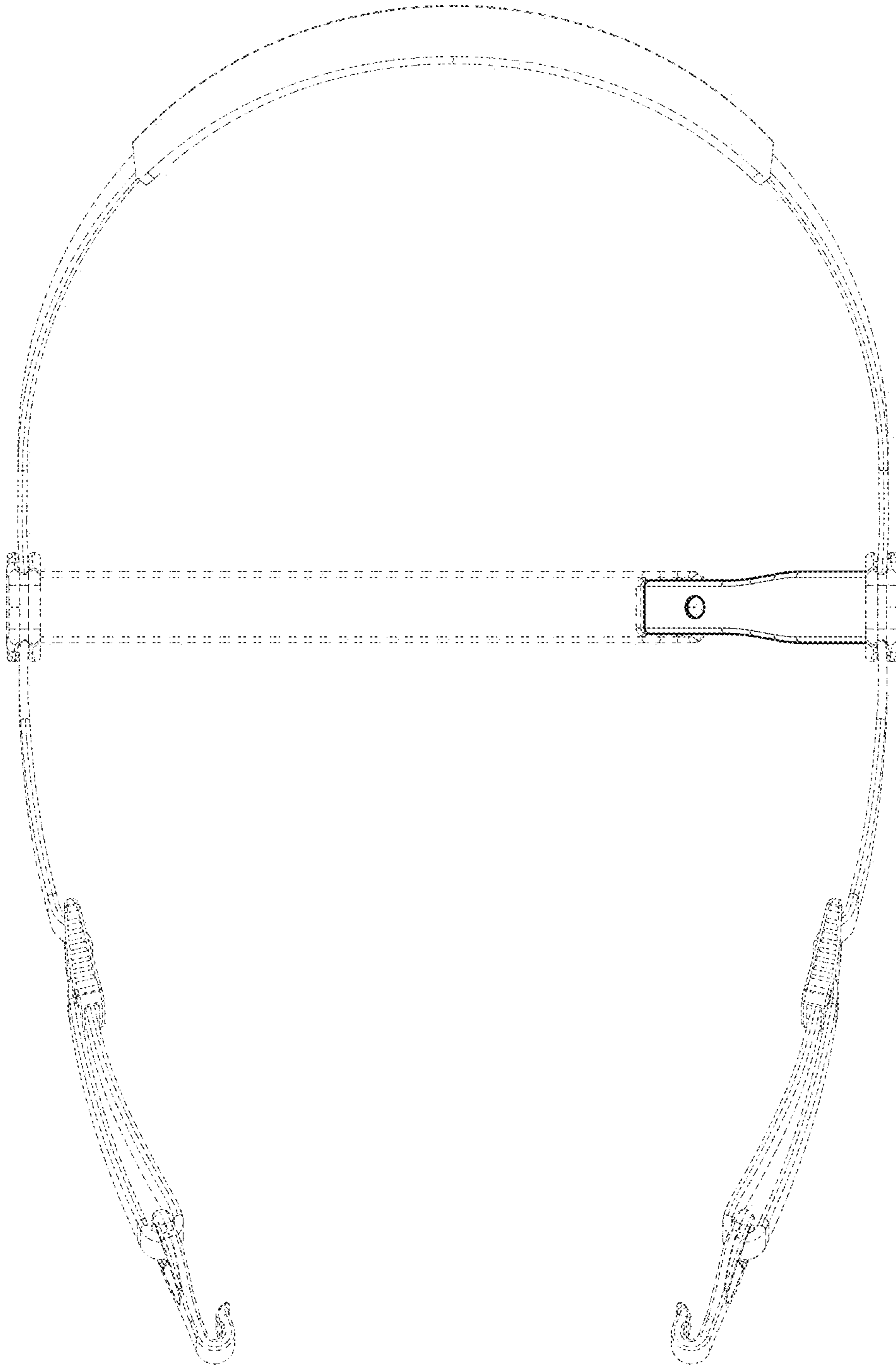


FIG. 15