



US00D976383S

(12) **United States Design Patent**  
**Li et al.**

(10) **Patent No.:** **US D976,383 S**

(45) **Date of Patent:** **\*\* Jan. 24, 2023**

- (54) **FAN**
- (71) Applicant: **Lemoistar Technology (Shenzhen) Co., Ltd.**, Shenzhen (CN)
- (72) Inventors: **Jinpeng Li**, Shenzhen (CN); **Ming Zhu**, Shenzhen (CN)
- (73) Assignee: **Lemoistar Technology (Shenzhen) Co., Ltd.**, Shenzhen (CN)
- (\*\*) Term: **15 Years**
- (21) Appl. No.: **29/796,138**
- (22) Filed: **Jun. 22, 2021**
- (30) **Foreign Application Priority Data**  
Dec. 23, 2020 (CN) ..... 202030794543.1
- (51) **LOC (14) Cl.** ..... **23-04**
- (52) **U.S. Cl.**  
USPC ..... **D23/380**
- (58) **Field of Classification Search**  
USPC ..... D23/333, 370, 378-382  
CPC F24F 2221/38; F04D 25/084; F04D 25/0673;  
F04D 25/166; A42B 3/286  
See application file for complete search history.

- (56) **References Cited**  
**U.S. PATENT DOCUMENTS**  
D442,269 S \* 5/2001 Pinchuk ..... D23/351  
D884,201 S \* 5/2020 Fang ..... D24/206

- D903,086 S \* 11/2020 Liu ..... D23/370
- D903,087 S \* 11/2020 Zhou ..... D23/370
- D920,497 S \* 5/2021 Li ..... D23/370
- D925,028 S \* 7/2021 Song ..... D23/370
- D928,932 S \* 8/2021 Li ..... D23/370
- D936,819 S \* 11/2021 Zhang ..... D23/380
- D936,820 S \* 11/2021 Yuan ..... D23/380
- D944,953 S \* 3/2022 Xu ..... D23/380
- D950,702 S \* 5/2022 Zhu ..... D23/380
- D951,423 S \* 5/2022 Zhou ..... D23/380
- D954,248 S \* 6/2022 Li ..... D23/380
- D959,637 S \* 8/2022 Zhang ..... D23/380
- 2020/0187574 A1 \* 6/2020 Te Hsiang ..... A41D 13/0053
- 2021/0355960 A1 \* 11/2021 Liu ..... F25B 21/02
- 2022/0106963 A1 \* 4/2022 Li ..... F04D 25/084
- 2022/0145896 A1 \* 5/2022 Li ..... A61F 7/00
- 2022/0235786 A1 \* 7/2022 Liu ..... F04D 29/282

\* cited by examiner

*Primary Examiner* — Sharon S Oum  
(74) *Attorney, Agent, or Firm* — Jeenam Park

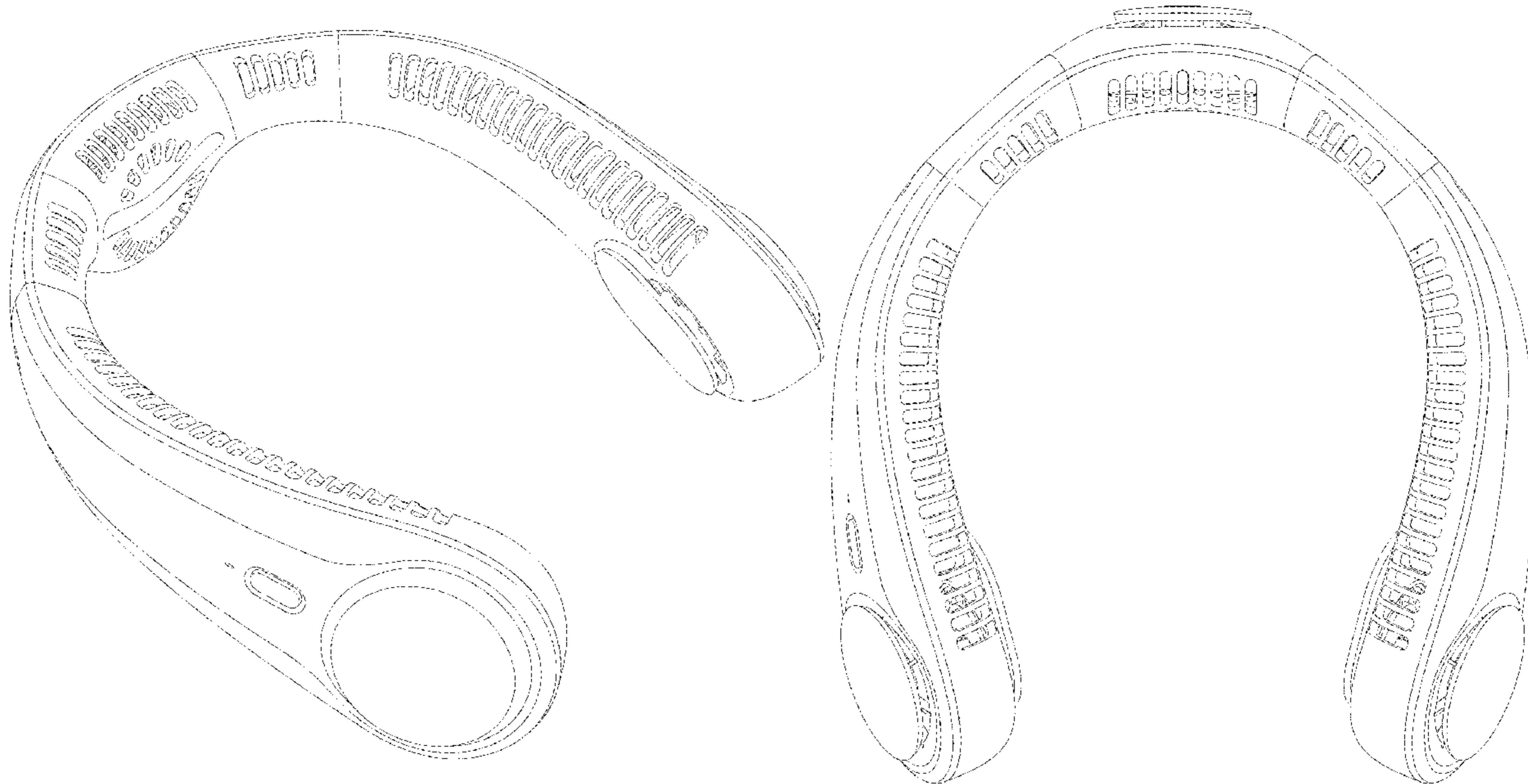
(57) **CLAIM**

The ornamental design for a fan, as shown and described.

**DESCRIPTION**

FIG. 1 is a perspective view of a fan, showing my new design;  
FIG. 2 is a front view thereof;  
FIG. 3 is a rear view thereof;  
FIG. 4 is a left side view thereof;  
FIG. 5 is a right side view thereof;  
FIG. 6 is a top plan view thereof; and,  
FIG. 7 is a bottom plan view thereof.

**1 Claim, 7 Drawing Sheets**



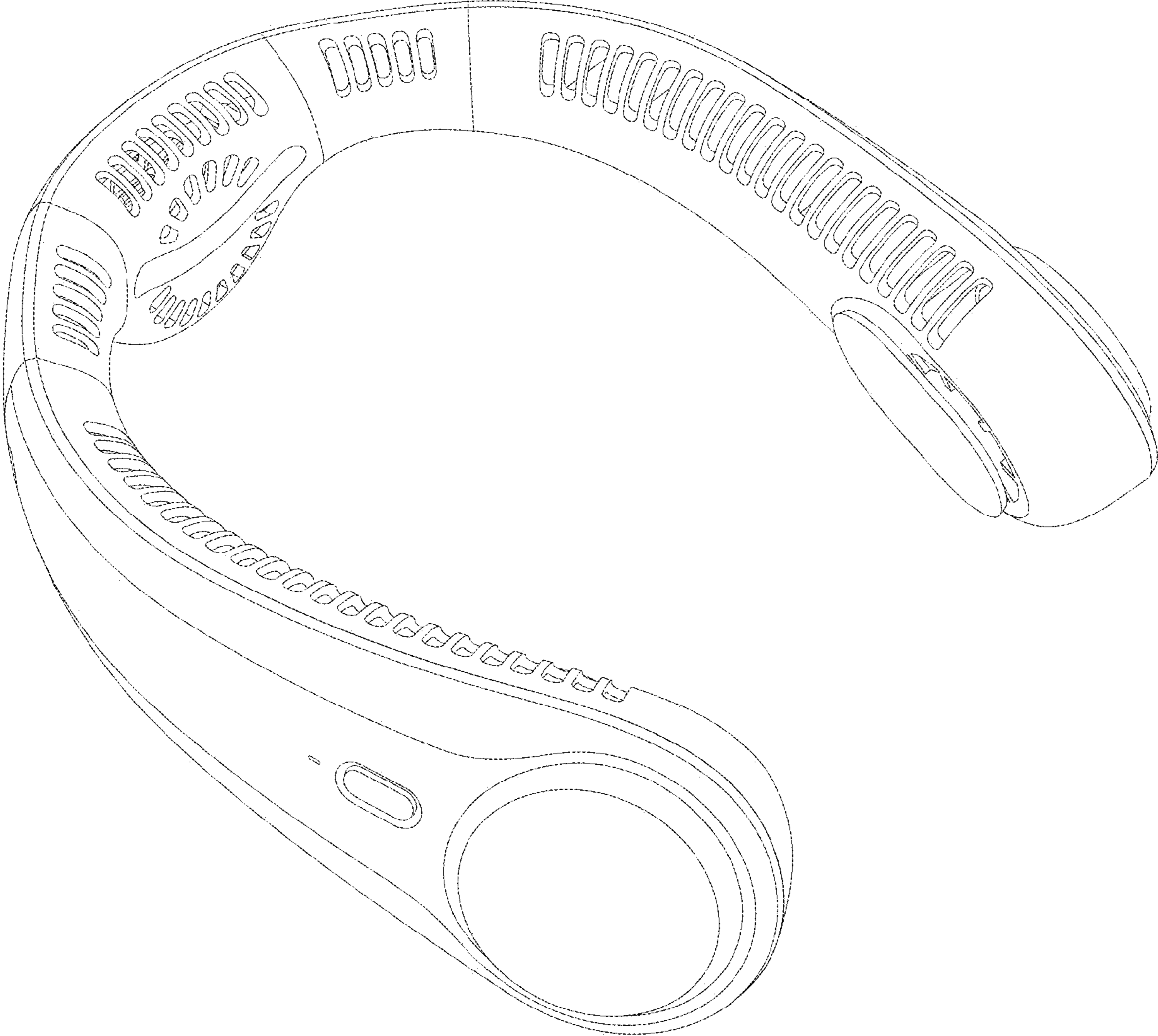


FIG.1

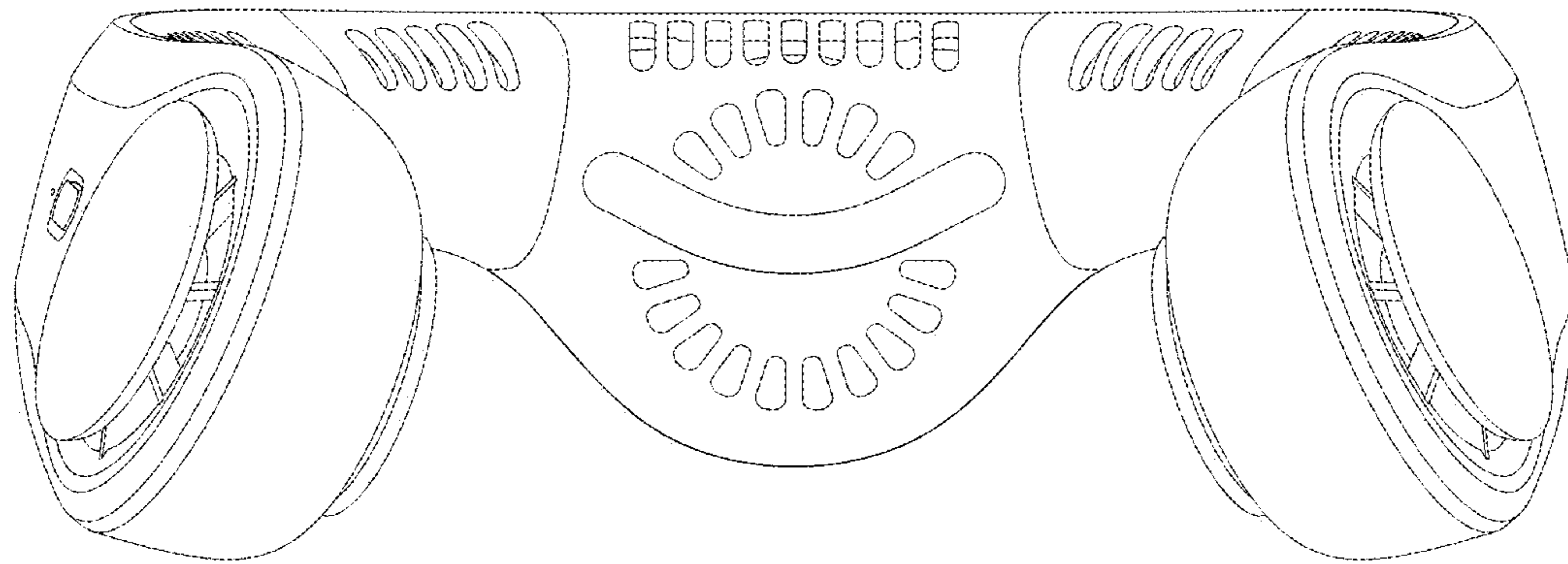


FIG.2

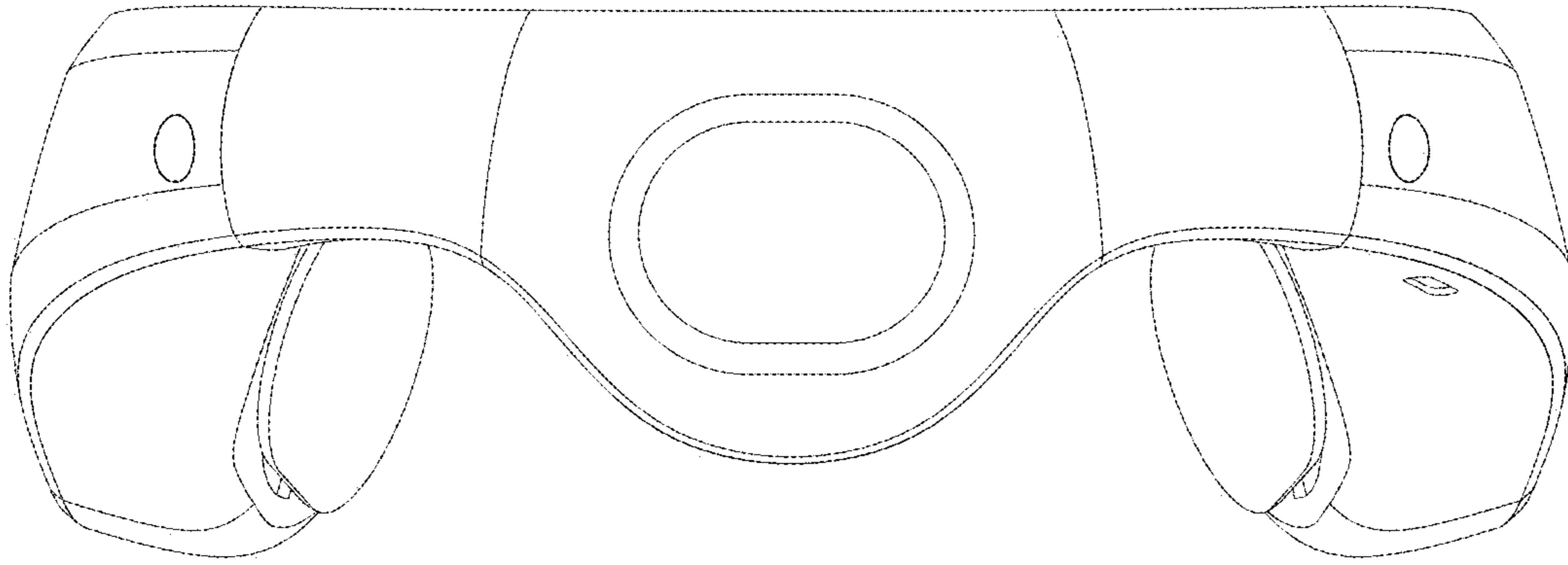


FIG.3

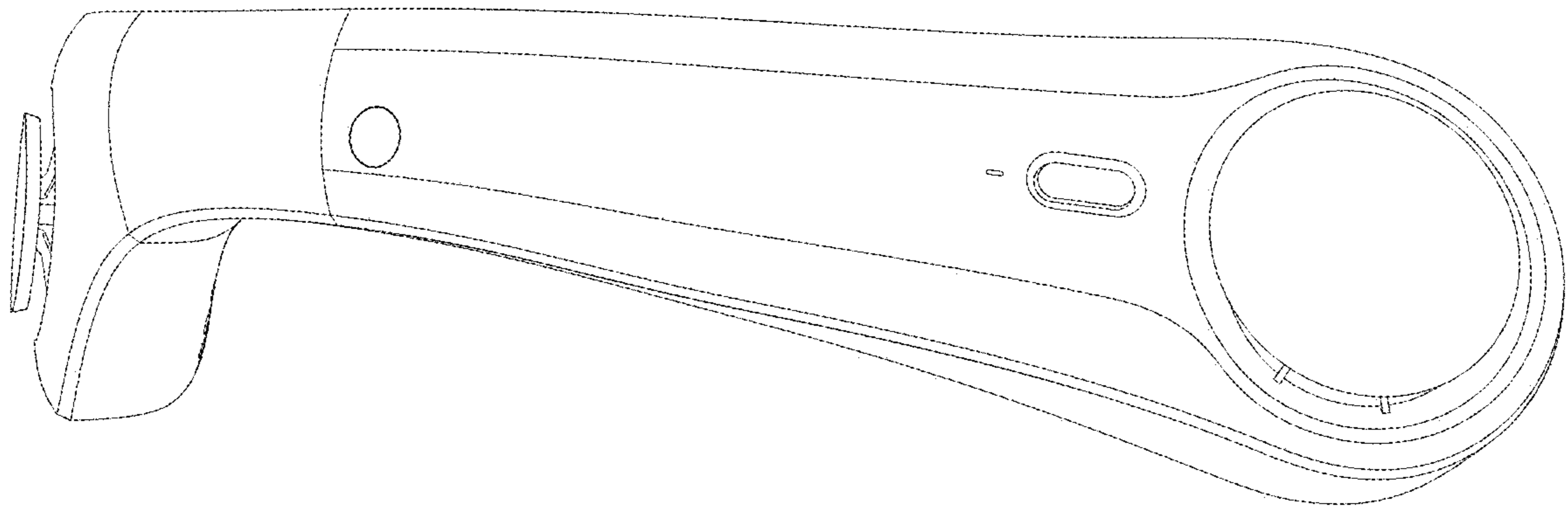


FIG.4

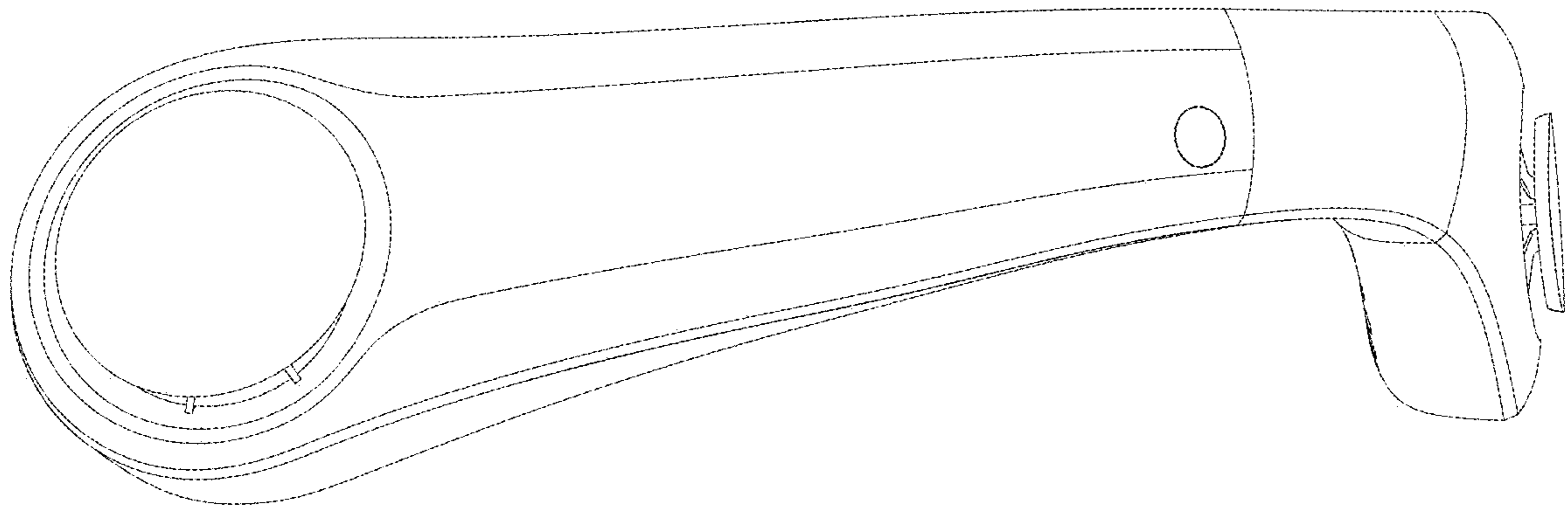


FIG.5

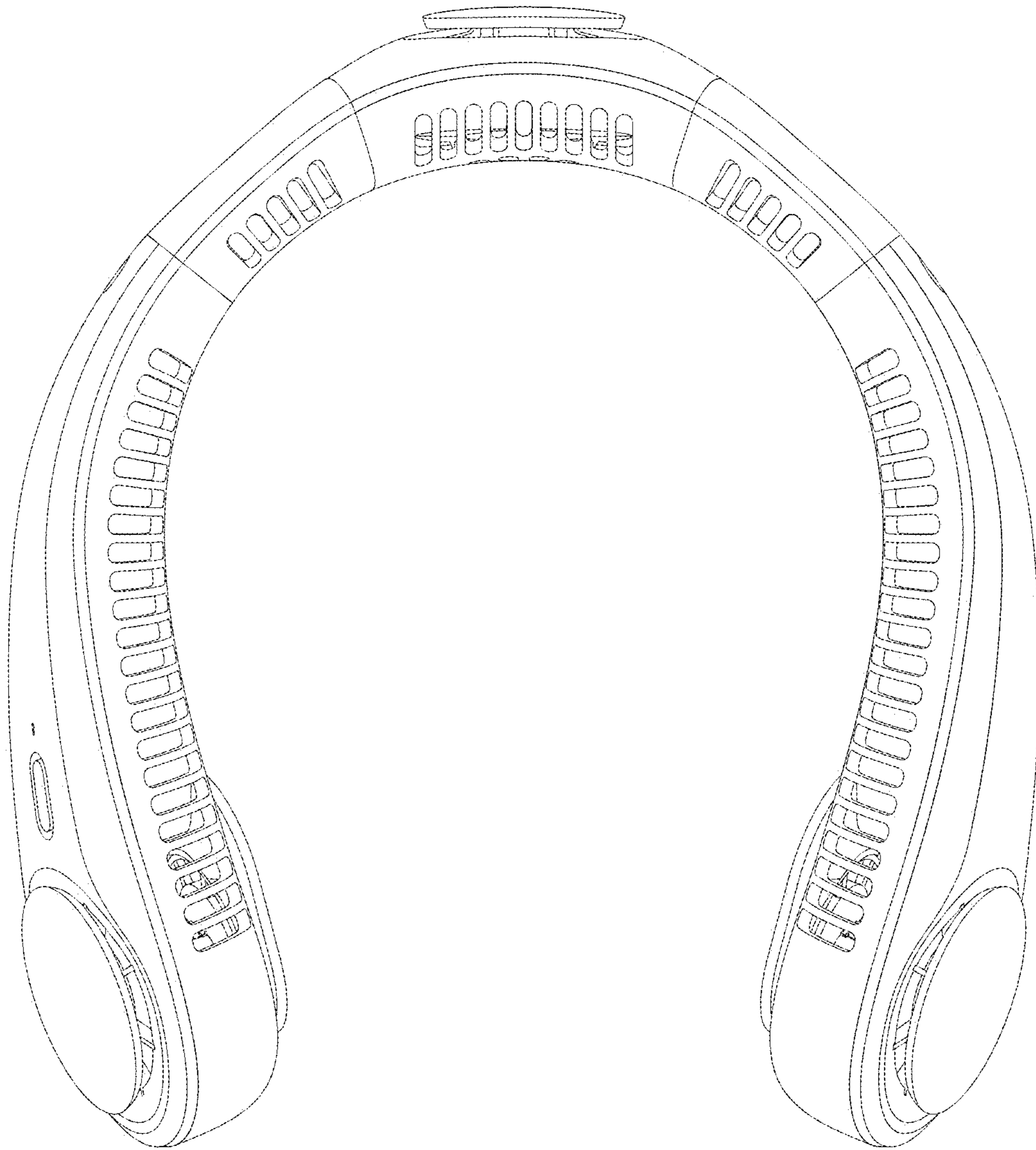


FIG.6

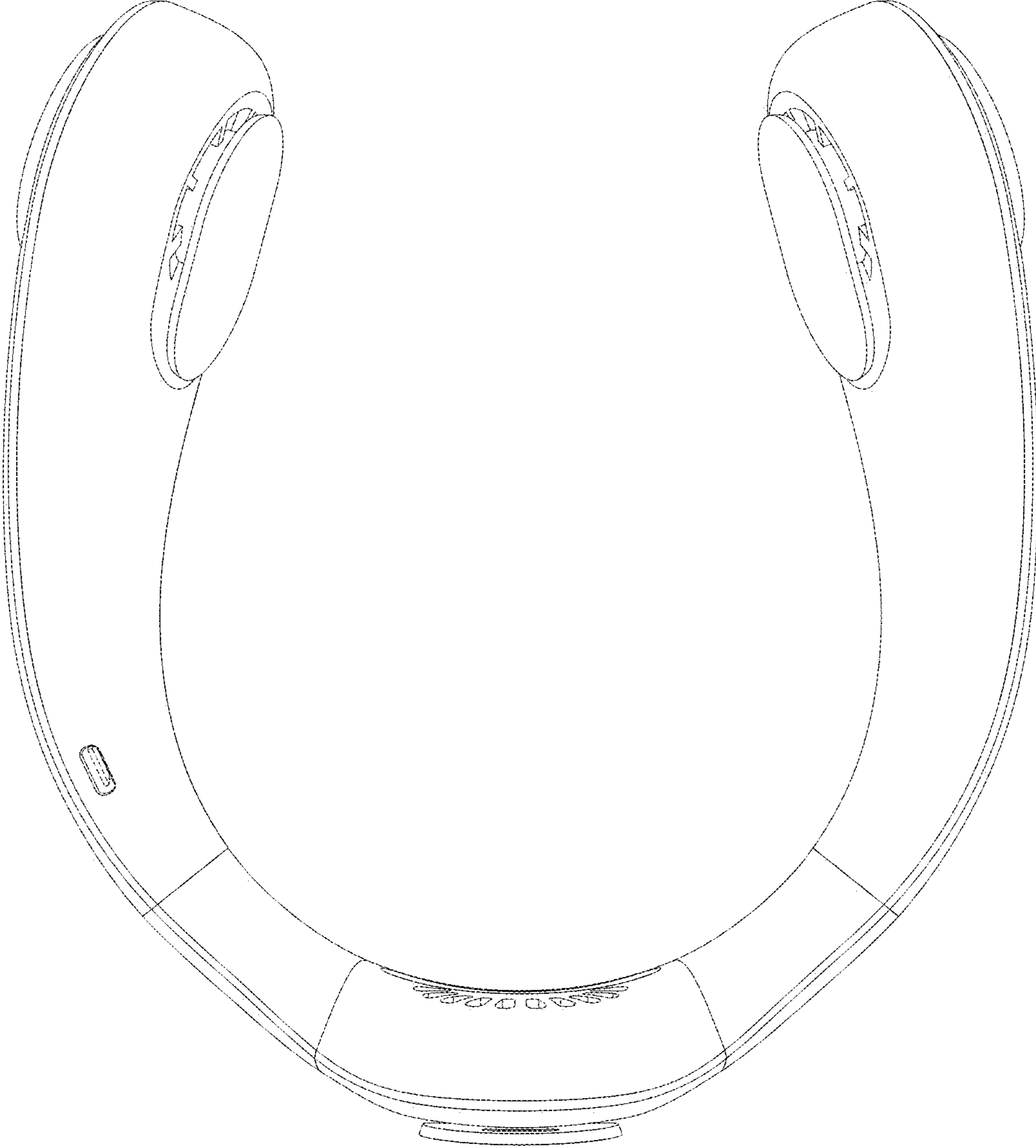


FIG.7