



US00D976381S

(12) **United States Design Patent** (10) **Patent No.:** **US D976,381 S**
Baranova et al. (45) **Date of Patent:** **** Jan. 24, 2023**

(54) **DISPENSING DEVICE FOR AN AIR TREATMENT COMPOSITION**

(71) Applicant: **Reckitt & Colman (Overseas)**
Hygiene Home Limited, Slough (GB)

(72) Inventors: **Marina Baranova, Warwick (GB);**
Andrew Johnson, Hull (GB); Darren
Morgan, Hull (GB); David Sanders,
Warwick (GB)

(73) Assignee: **Reckitt & Colman (Overseas)**
Hygiene Home Limited, Slough (GB)

(**) Term: **15 Years**

(21) Appl. No.: **29/845,258**

(22) Filed: **Jul. 6, 2022**

(51) **LOC (14) Cl.** **23-04**

(52) **U.S. Cl.**
USPC **D23/366**

(58) **Field of Classification Search**
USPC D23/213, 314, 332-336, 341, 355-369,
D23/370, 378; D26/26, 40, 46, 49, 97,
D26/123, 124; D14/125, 195, 204, 221,
D14/228, 240, 253, 348, 350, 358, 496;
D12/415; D21/332; D11/143, 146, 152,
D11/153
CPC A61L 9/03; A61L 9/04; A61L 9/05; A61L
9/12; A61L 9/14; A61L 9/012; A61L
9/015; A61L 9/048; A61L 9/122; A61L
9/127; A61L 9/205; A61L 2209/11; A61L
2209/14; A61L 2209/133; Y10S 261/17;
Y10S 261/88; Y10S 261/89; H04B
1/3877; F24F 6/00; F24F 6/06; F24F
1/00; F24F 1/02; F24F 1/022

See application file for complete search history.

(56) **References Cited**

U.S. PATENT DOCUMENTS

D507,636 S *	7/2005	Baraky	D23/366
D776,247 S *	1/2017	King	D23/366
D776,800 S *	1/2017	King	D23/366
D846,725 S *	4/2019	Meeker	D23/366
D879,277 S *	3/2020	Sanders	D23/366
D945,581 S *	3/2022	Baldwin	D23/355
D945,582 S *	3/2022	Baldwin	D23/355

* cited by examiner

Primary Examiner — Gino Colan

Assistant Examiner — David Obrien

(74) *Attorney, Agent, or Firm* — Norris McLaughlin PA

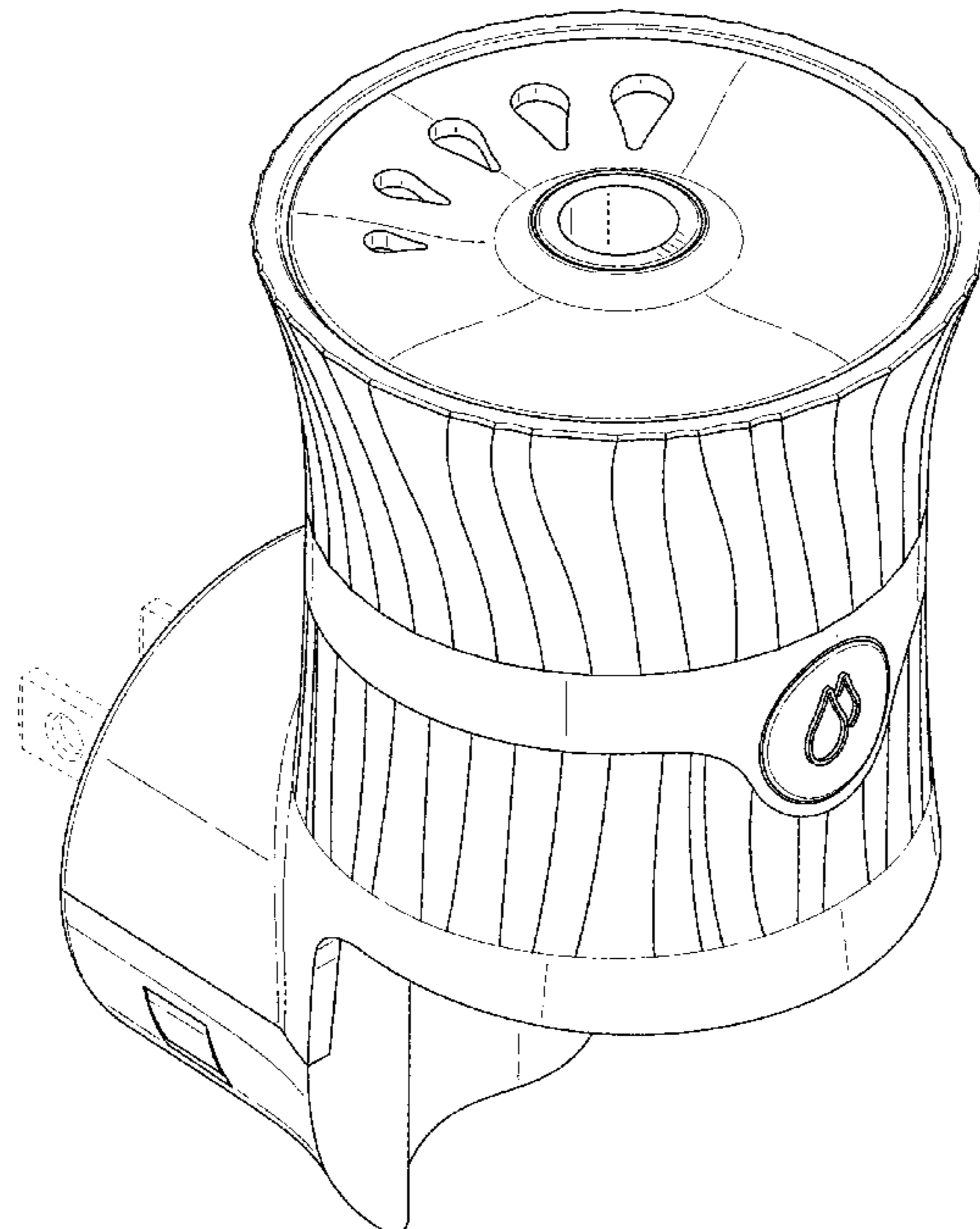
(57) **CLAIM**

The ornamental design for a dispensing device for an air treatment composition, as shown and described.

DESCRIPTION

FIG. 1 is a top perspective view of the dispensing device for an air treatment composition.
FIG. 2 is a first side elevation view thereof.
FIG. 3 is a second side elevation view thereof.
FIG. 4 is a third side elevation view thereof.
FIG. 5 is a fourth side elevation view thereof.
FIG. 6 is a top plan view thereof; and,
FIG. 7 is a bottom plan view thereof.
The broken lines shown in the figures are for the purpose of illustrating portions of the dispensing device for an air treatment composition and form no part of the claimed design.

1 Claim, 7 Drawing Sheets



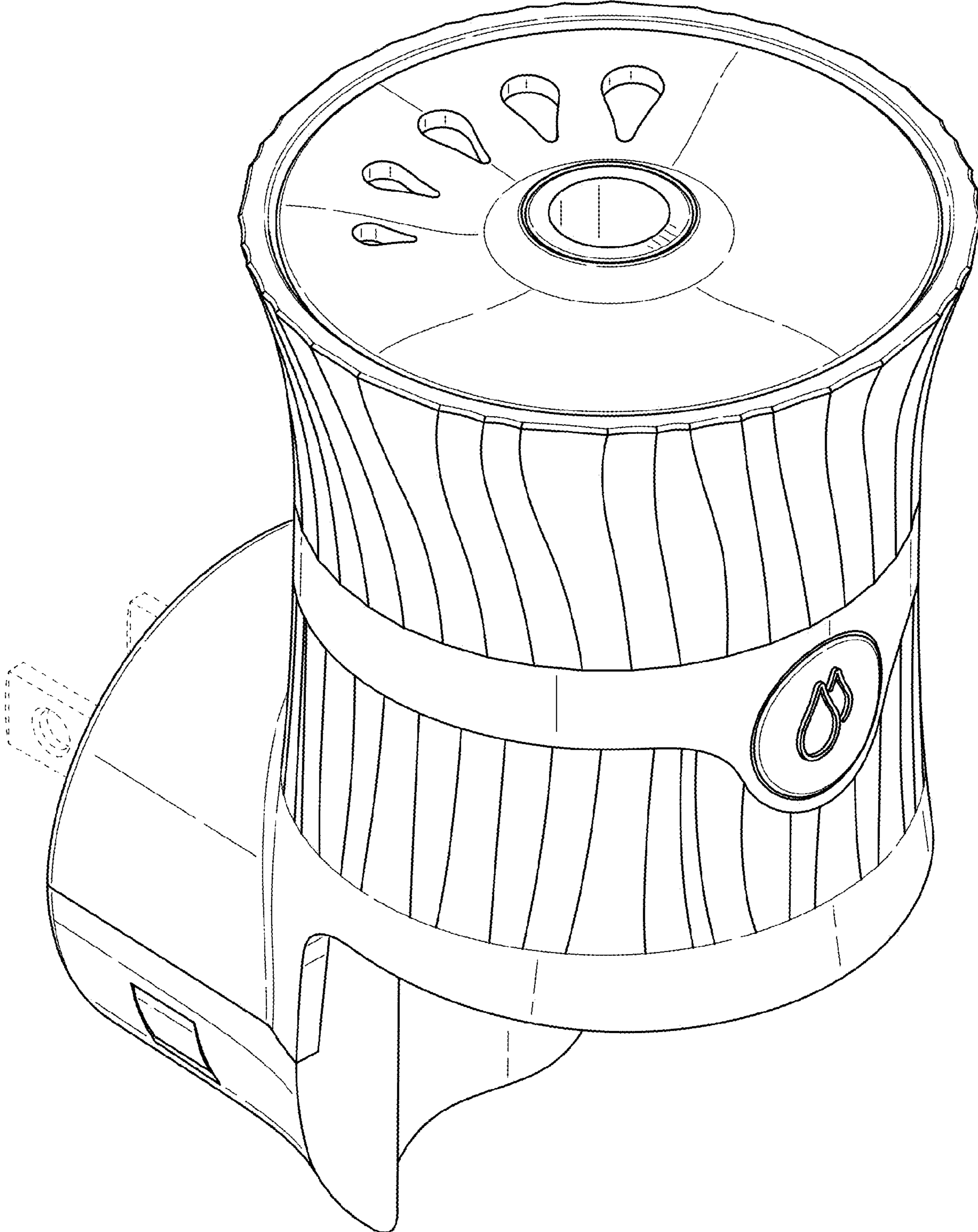


Fig. 1

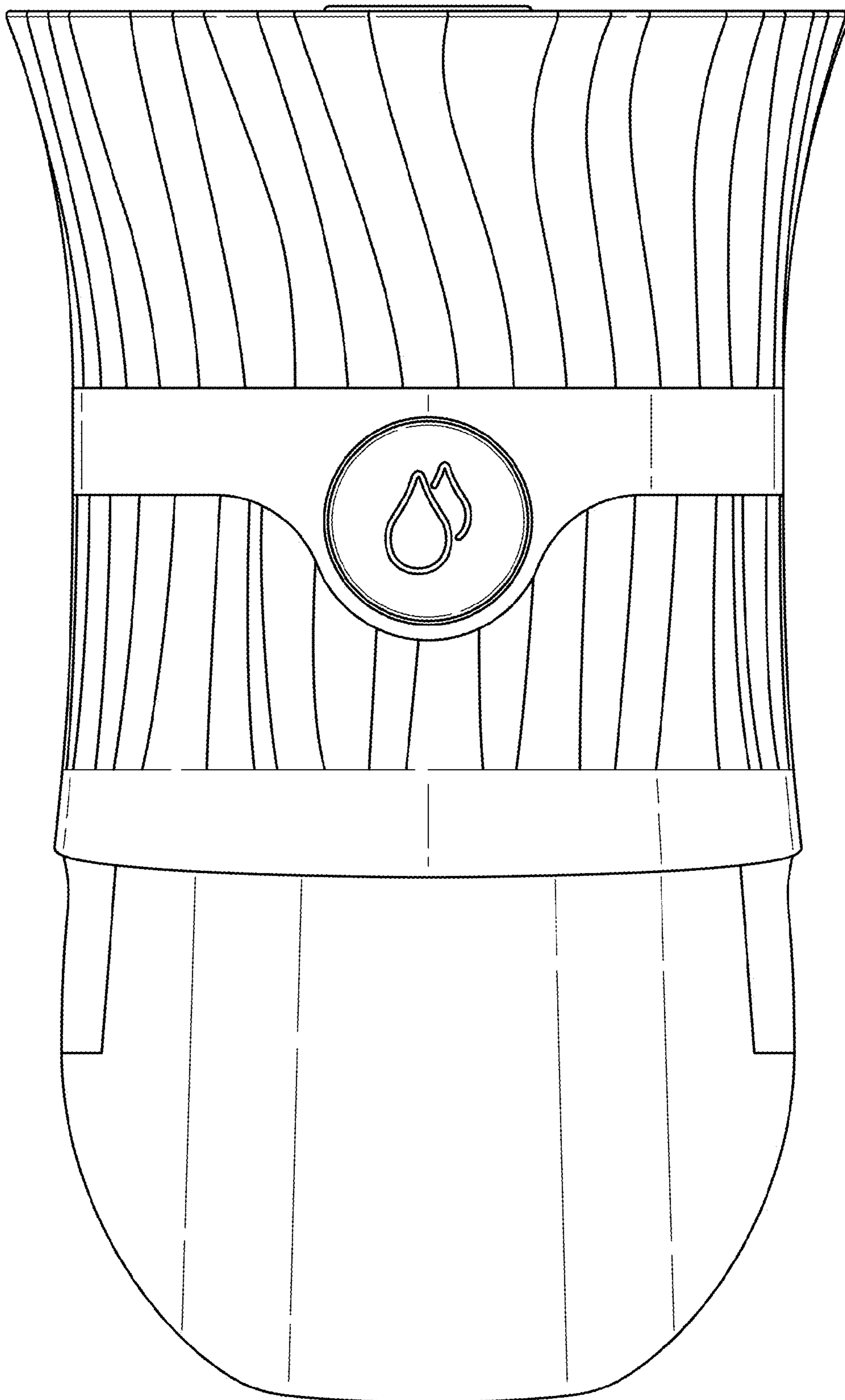


Fig. 2

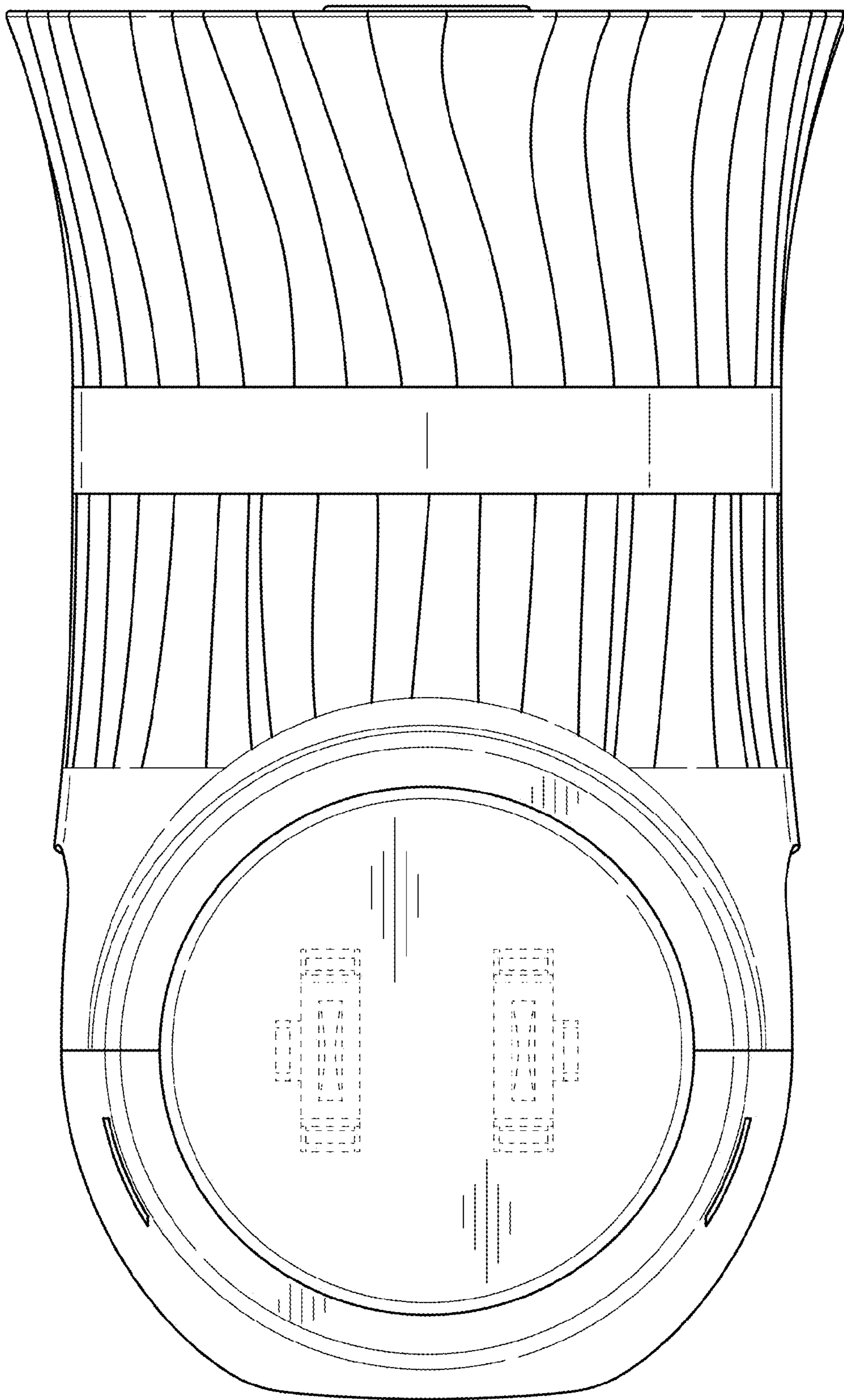


Fig. 3

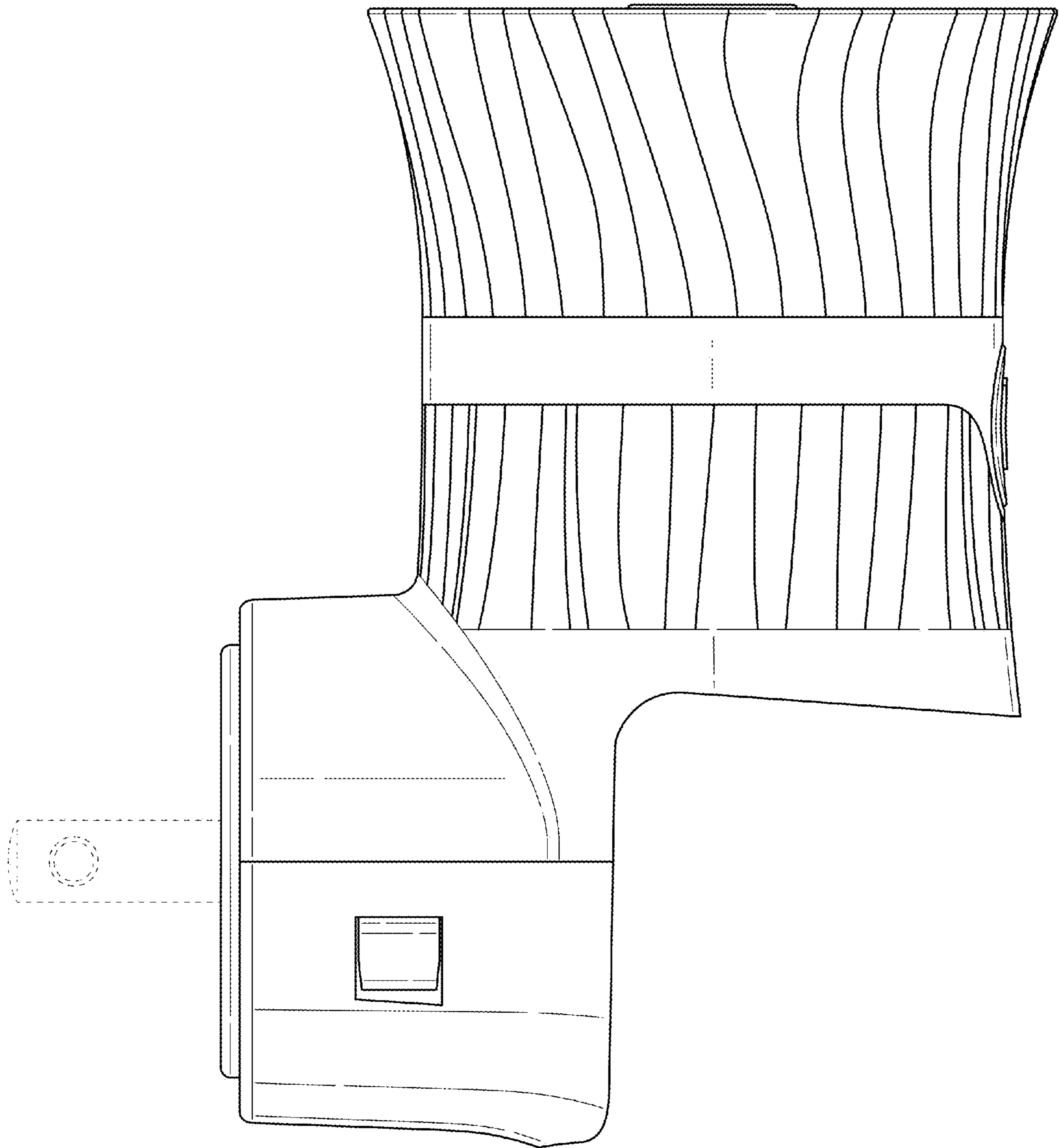


Fig. 4

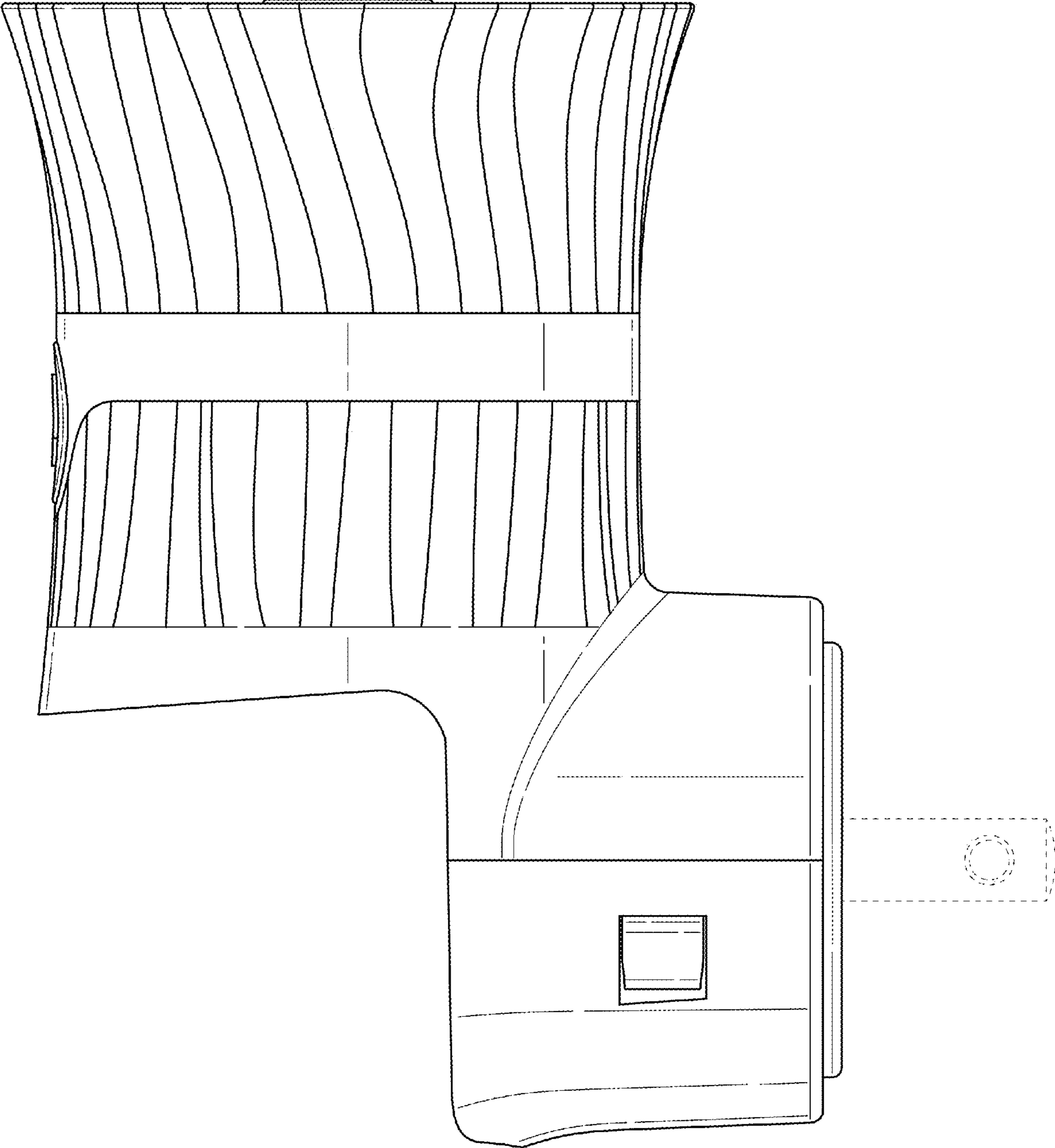


Fig. 5

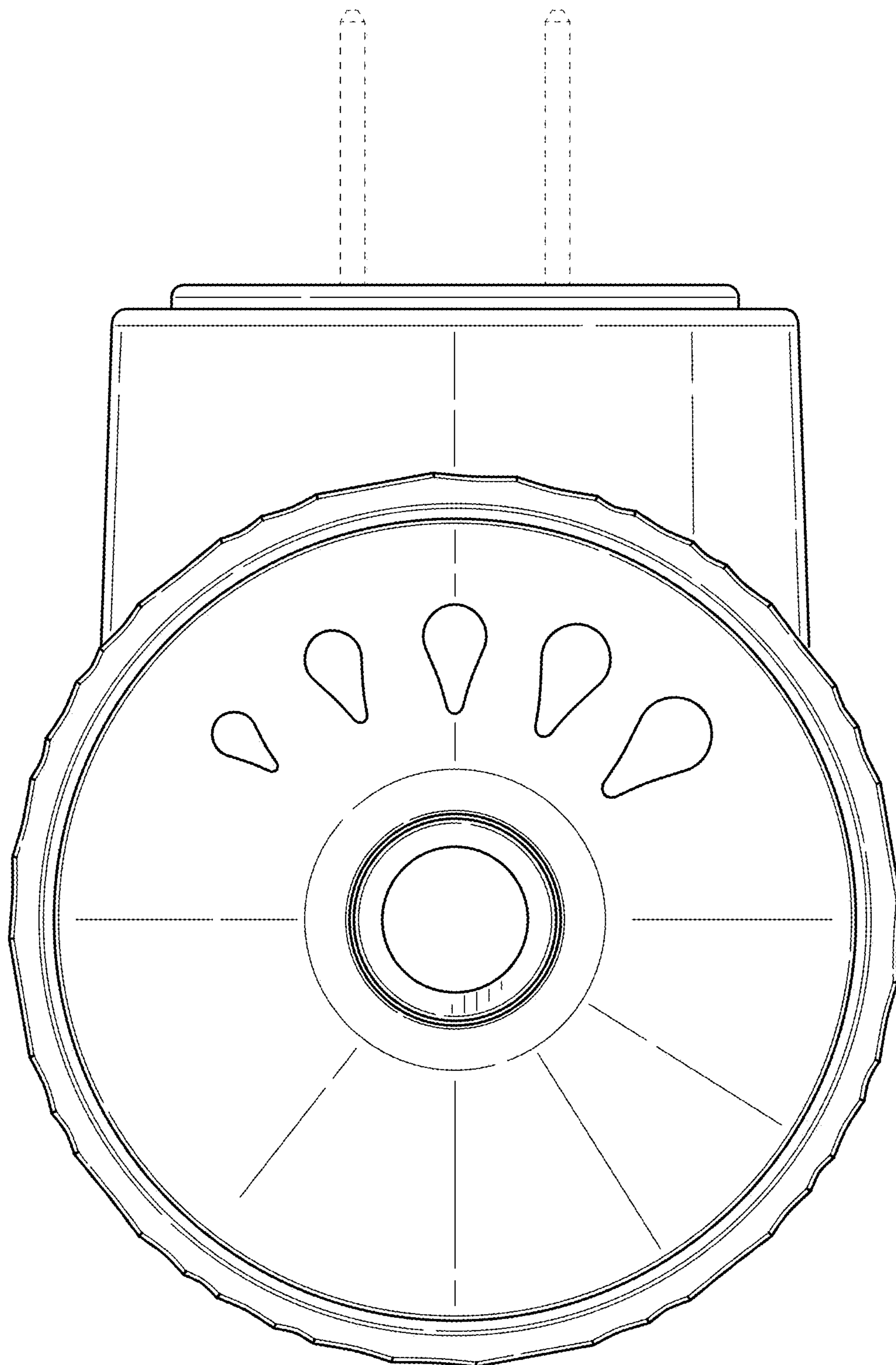


Fig. 6

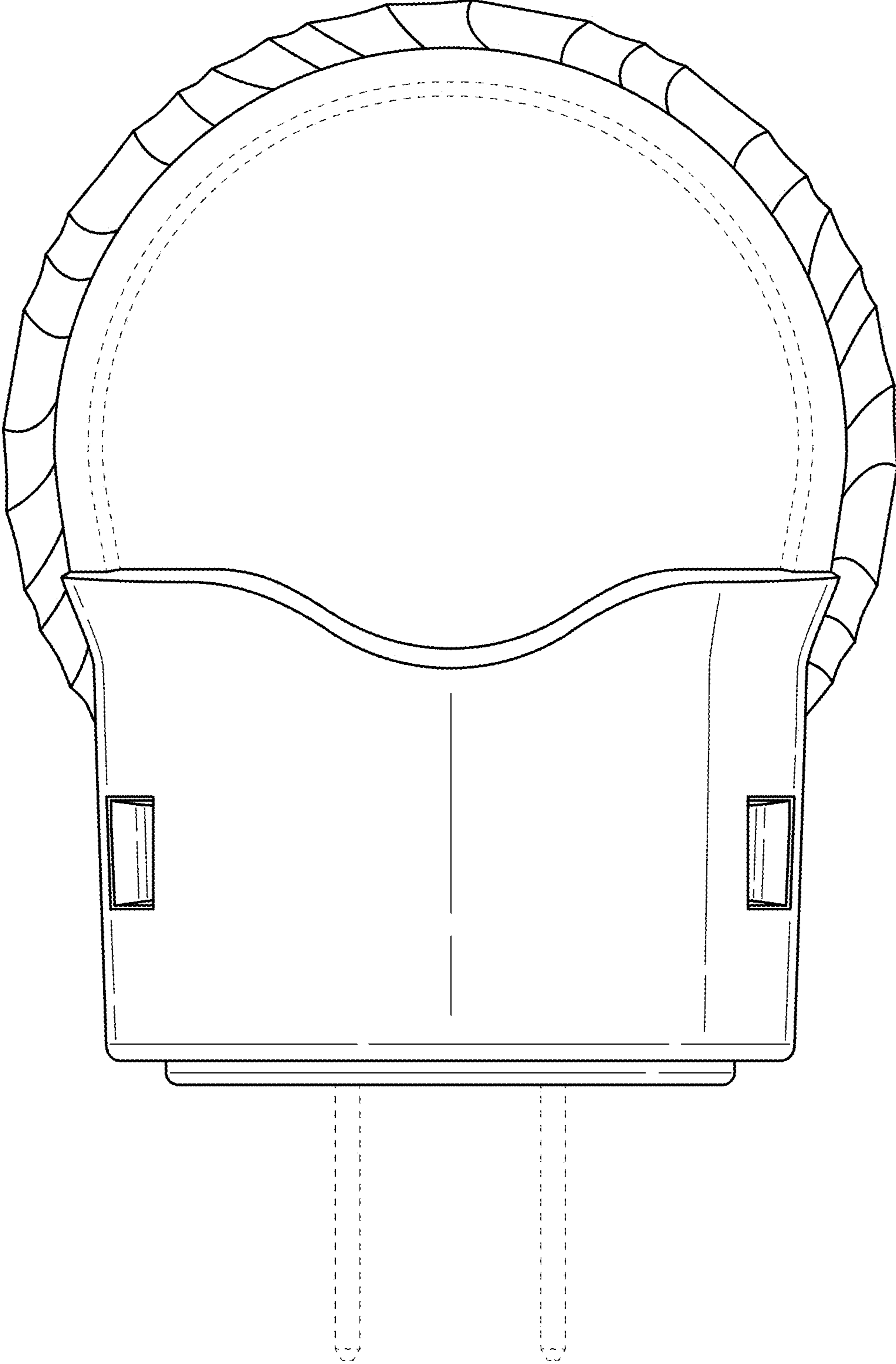


Fig. 7

UNITED STATES PATENT AND TRADEMARK OFFICE
CERTIFICATE OF CORRECTION

PATENT NO. : D976,381 S
APPLICATION NO. : 29/845258
DATED : January 24, 2023
INVENTOR(S) : Marina Baranova et al.

Page 1 of 1

It is certified that error appears in the above-identified patent and that said Letters Patent is hereby corrected as shown below:

On the Title Page

Item (30) insert:

-- Foreign Application Priority Data

01/13/2022 (EM) 008828677-0002 --

Signed and Sealed this
Seventh Day of November, 2023



Katherine Kelly Vidal
Director of the United States Patent and Trademark Office