



US00D976380S

(12) **United States Design Patent** (10) **Patent No.:** **US D976,380 S**
Baranova et al. (45) **Date of Patent:** **** Jan. 24, 2023**

(54) **DISPENSING DEVICE FOR AN AIR TREATMENT COMPOSITION**

(71) Applicant: **Reckitt & Colman (Overseas)**
Hygiene Home Limited, Slough (GB)

(72) Inventors: **Marina Baranova, Warwick (GB);**
Andrew Johnson, Hull (GB); Darren
Morgan, Hull (GB); David Sanders,
Warwick (GB)

(73) Assignee: **Reckitt & Colman (Overseas)**
Hygiene Home Limited, Slough (GB)

(**) Term: **15 Years**

(21) Appl. No.: **29/845,256**

(22) Filed: **Jul. 6, 2022**

(51) **LOC (14) Cl.** **23-04**

(52) **U.S. Cl.**
USPC **D23/366**

(58) **Field of Classification Search**
 USPC D23/213, 314, 332-336, 341, 355-369,
 D23/370, 378; D26/26, 40, 46, 49, 97,
 D26/123, 124; D14/125, 195, 204, 221,
 D14/228, 240, 253, 348, 350, 358, 496;
 D12/415; D21/332; D11/143, 146, 152,
 D11/153
 CPC A61L 9/03; A61L 9/04; A61L 9/05; A61L
 9/12; A61L 9/14; A61L 9/012; A61L
 9/015; A61L 9/048; A61L 9/122; A61L
 9/127; A61L 9/205; A61L 2209/11; A61L
 2209/14; A61L 2209/133; Y10S 261/17;
 Y10S 261/88; Y10S 261/89; H04B
 1/3877; F24F 6/00; F24F 6/06; F24F
 1/00; F24F 1/02; F24F 1/022

See application file for complete search history.

(56) **References Cited**

U.S. PATENT DOCUMENTS

| | | | | |
|--------------|--------|---------|-------|---------|
| D507,636 S * | 7/2005 | Baraky | | D23/366 |
| D776,247 S * | 1/2017 | King | | D23/366 |
| D776,800 S * | 1/2017 | King | | D23/366 |
| D846,725 S * | 4/2019 | Meeker | | D23/366 |
| D879,277 S * | 3/2020 | Sanders | | D23/366 |
| D945,581 S * | 3/2022 | Baldwin | | D23/355 |
| D945,582 S * | 3/2022 | Baldwin | | D23/355 |

* cited by examiner

Primary Examiner — Gino Colan

Assistant Examiner — David OBrien

(74) *Attorney, Agent, or Firm* — Norris McLaughlin PA

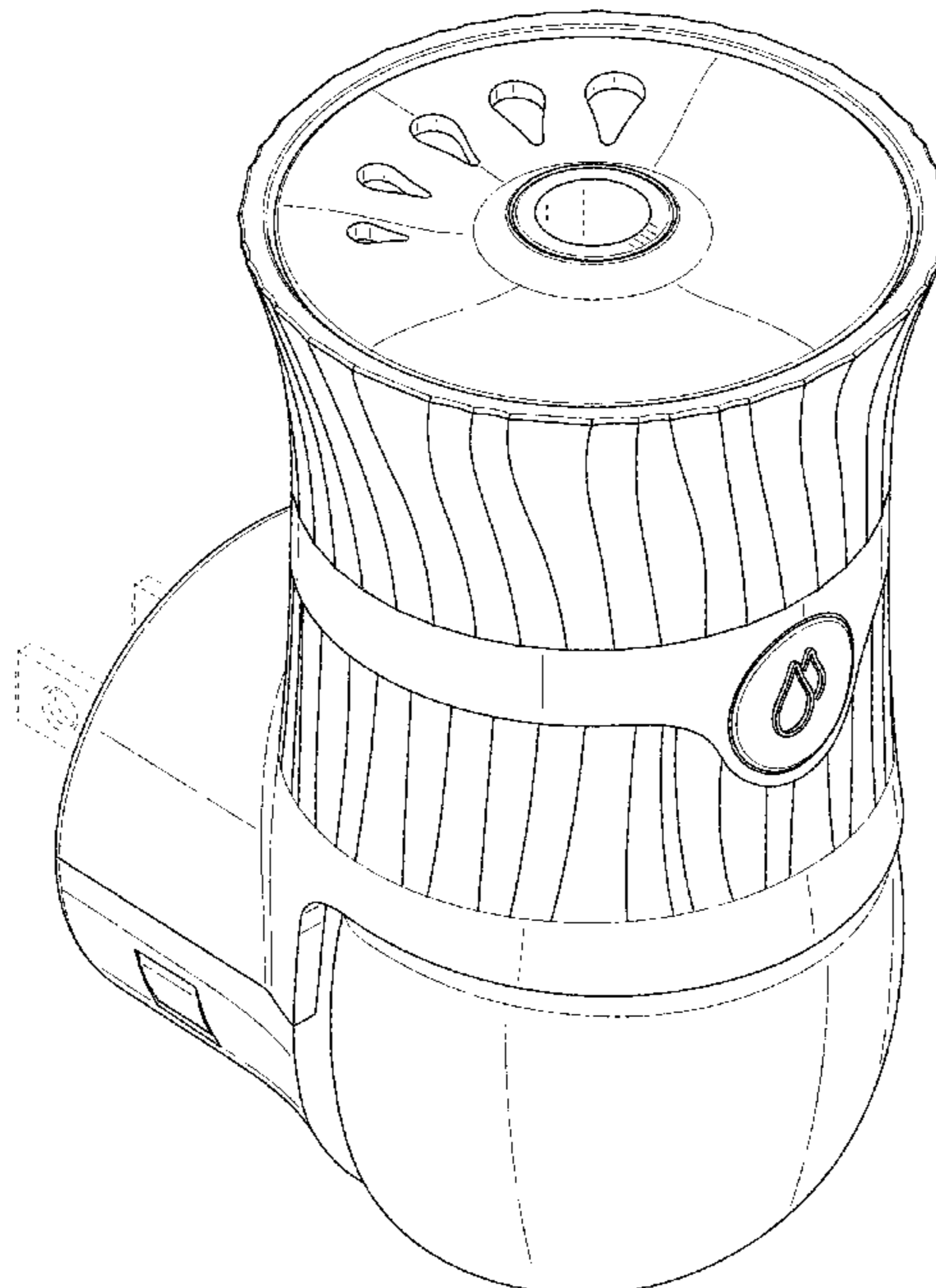
(57) **CLAIM**

The ornamental design for a dispensing device for an air treatment composition, as shown and described.

DESCRIPTION

FIG. 1 is a top perspective view of the dispensing device for an air treatment composition.
 FIG. 2 is a first side elevation view thereof.
 FIG. 3 is a second side elevation view thereof.
 FIG. 4 is a third side elevation view thereof.
 FIG. 5 is a fourth side elevation view thereof.
 FIG. 6 is a top plan view thereof; and,
 FIG. 7 is a bottom plan view thereof.
 The broken lines shown in the figures are for the purpose of illustrating portions of the dispensing device for an air treatment composition and form no part of the claimed design.

1 Claim, 7 Drawing Sheets



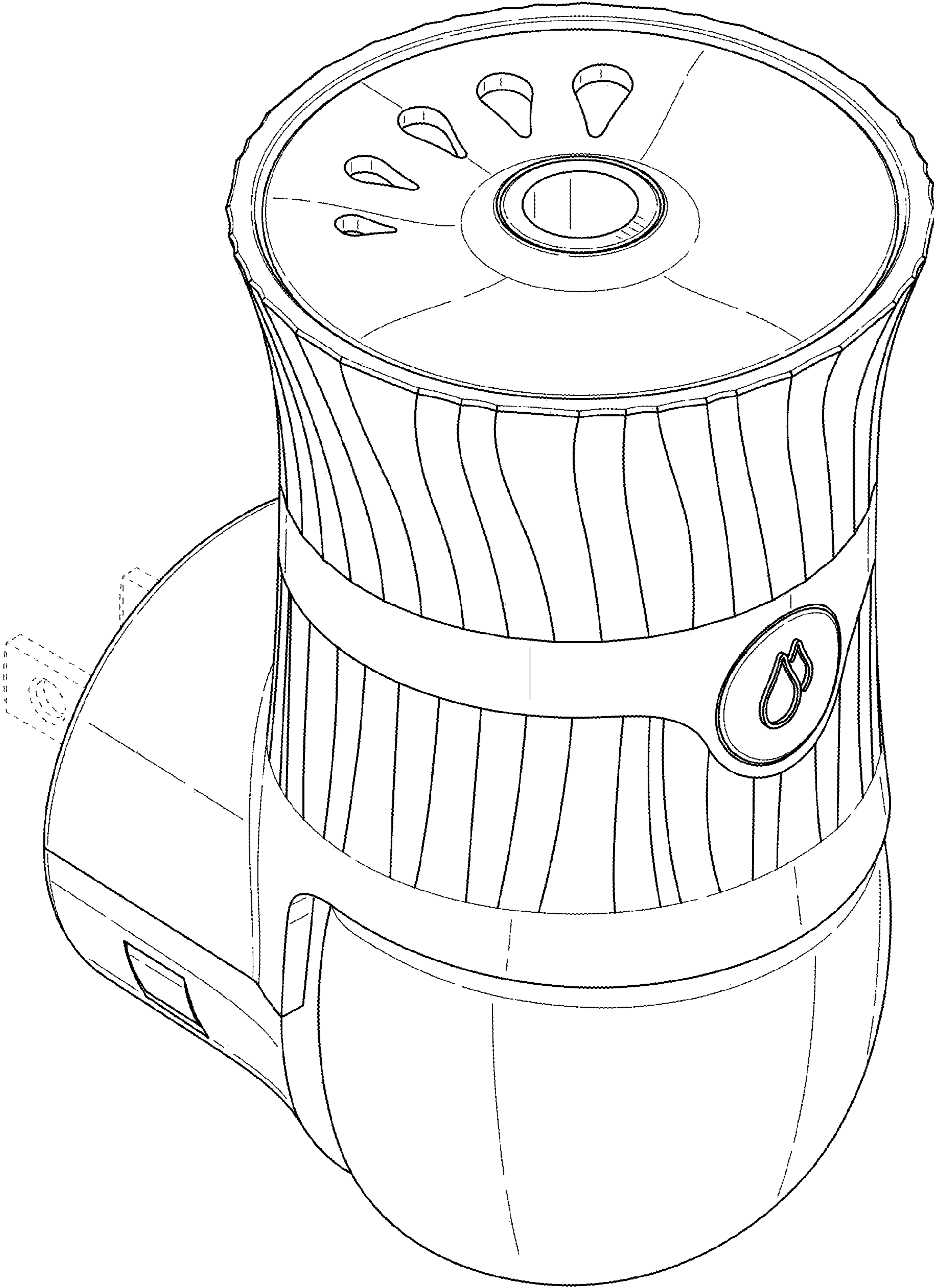


Fig. 1

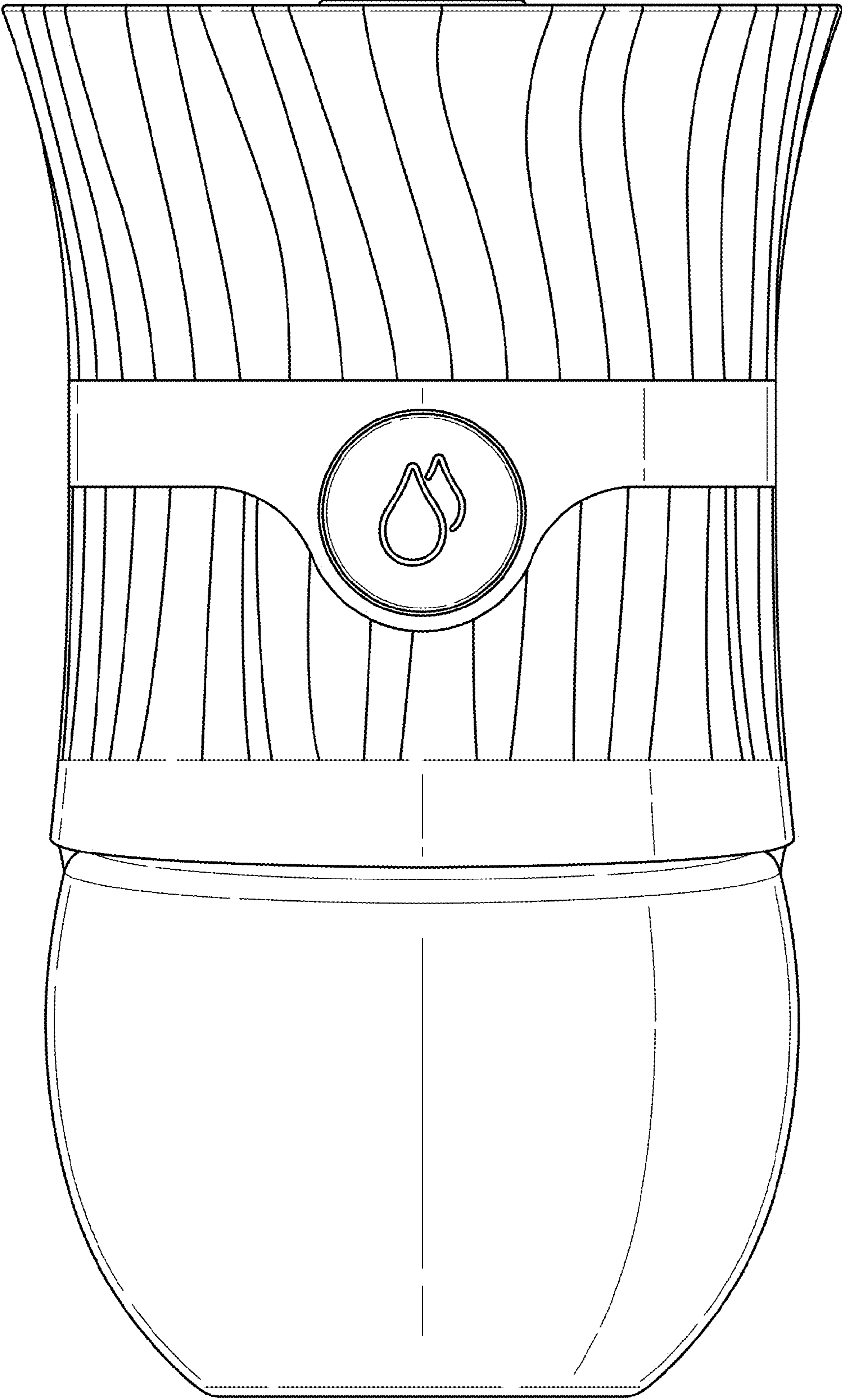


Fig. 2

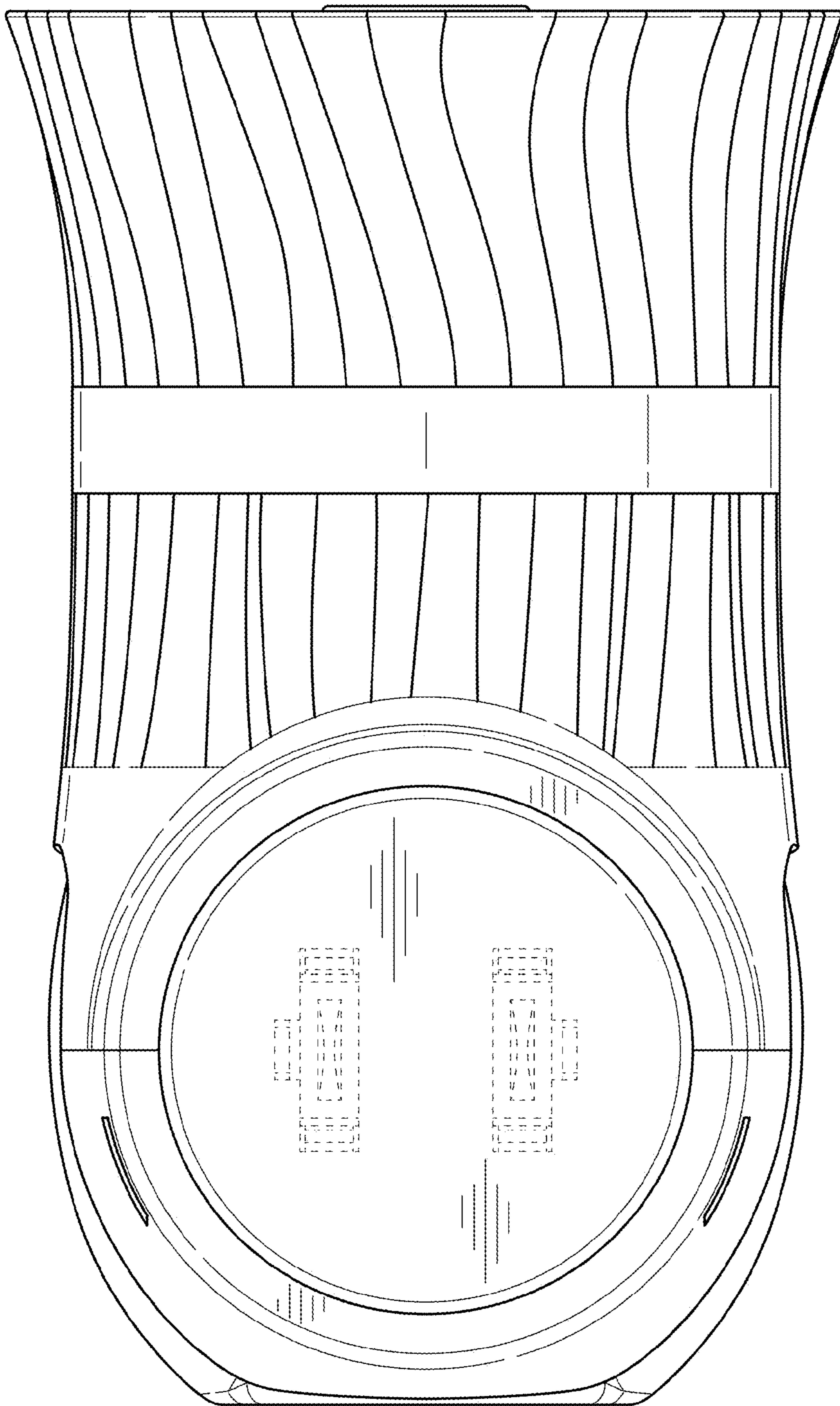


Fig. 3

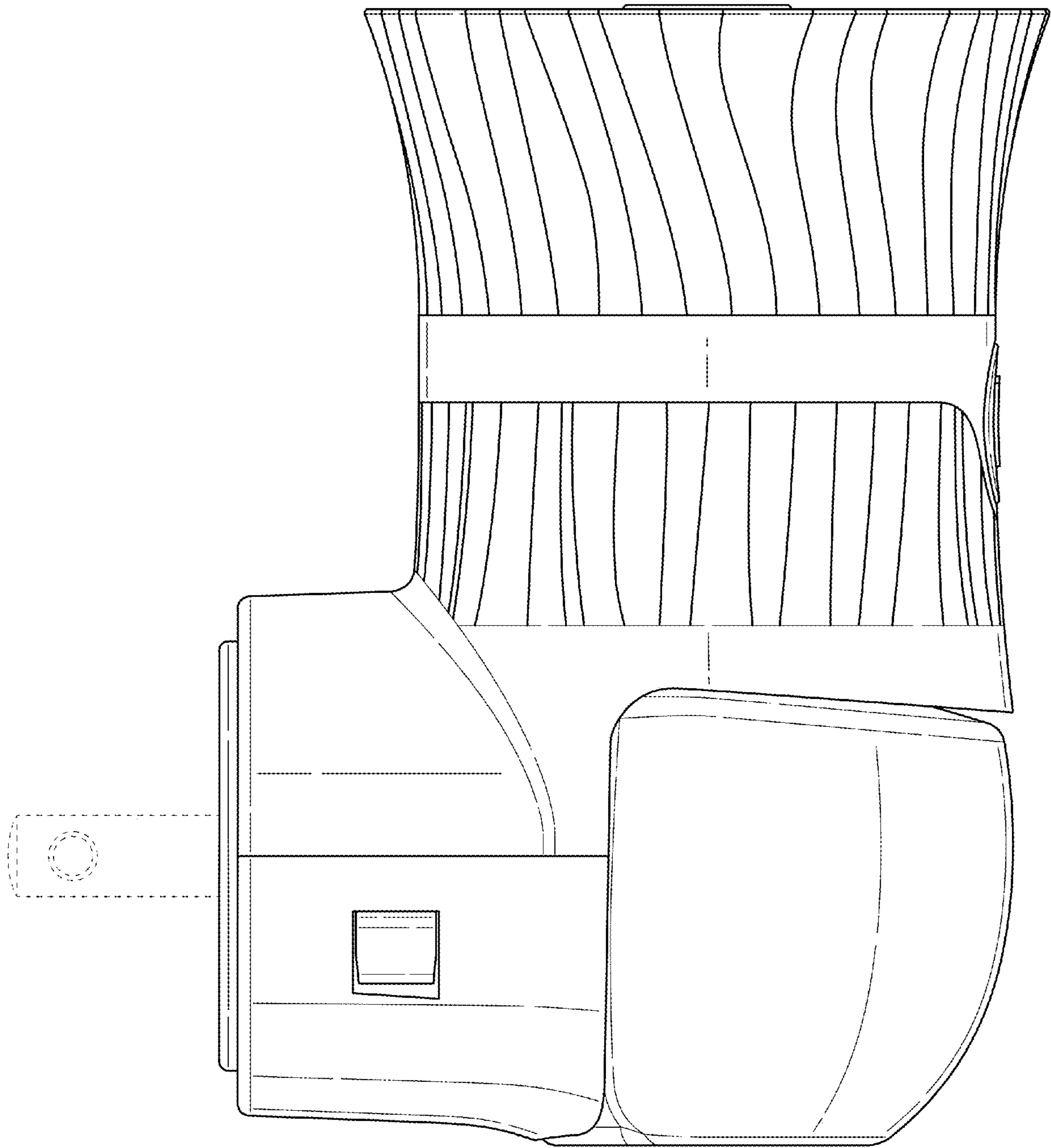


Fig. 4

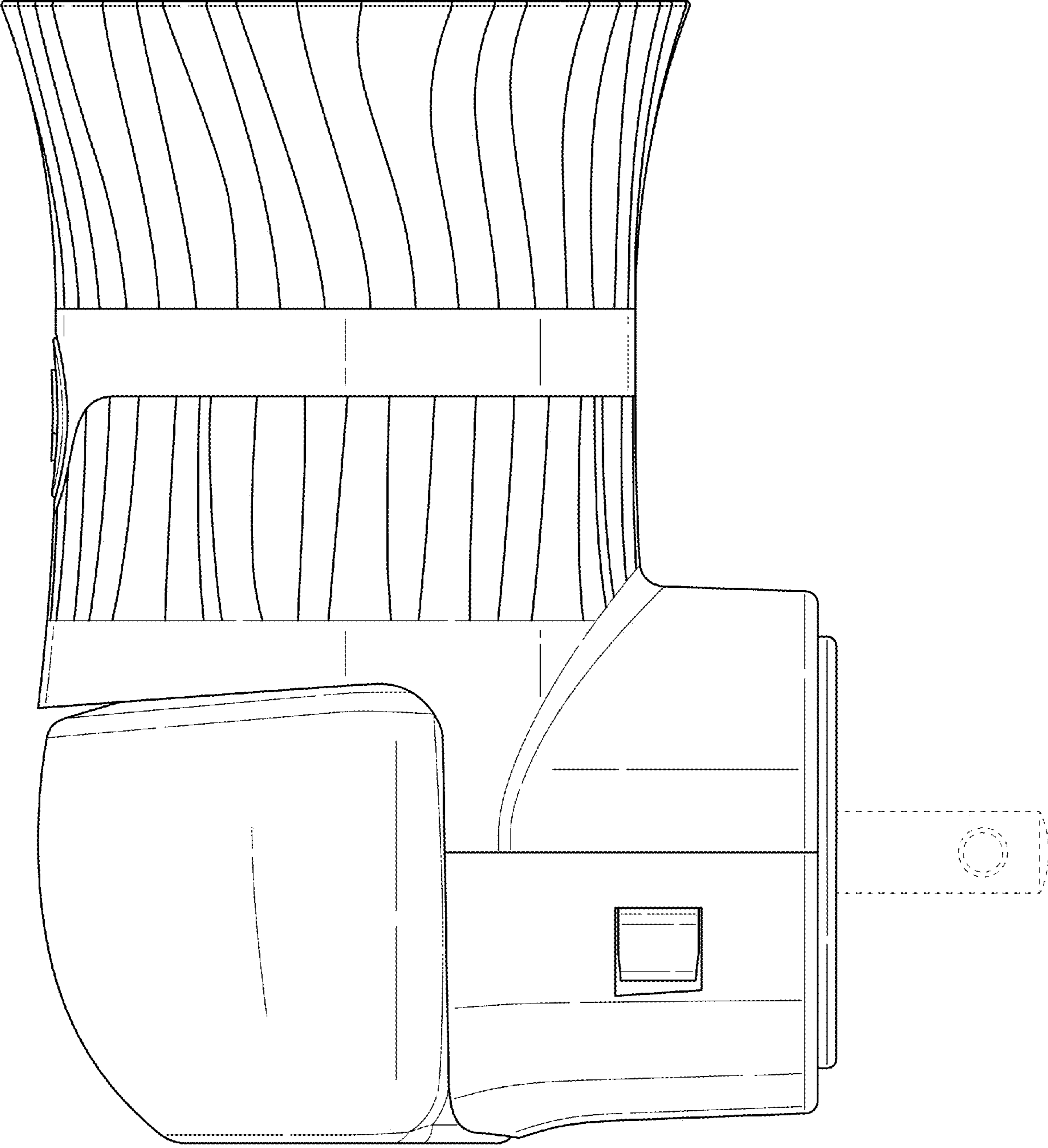


Fig. 5

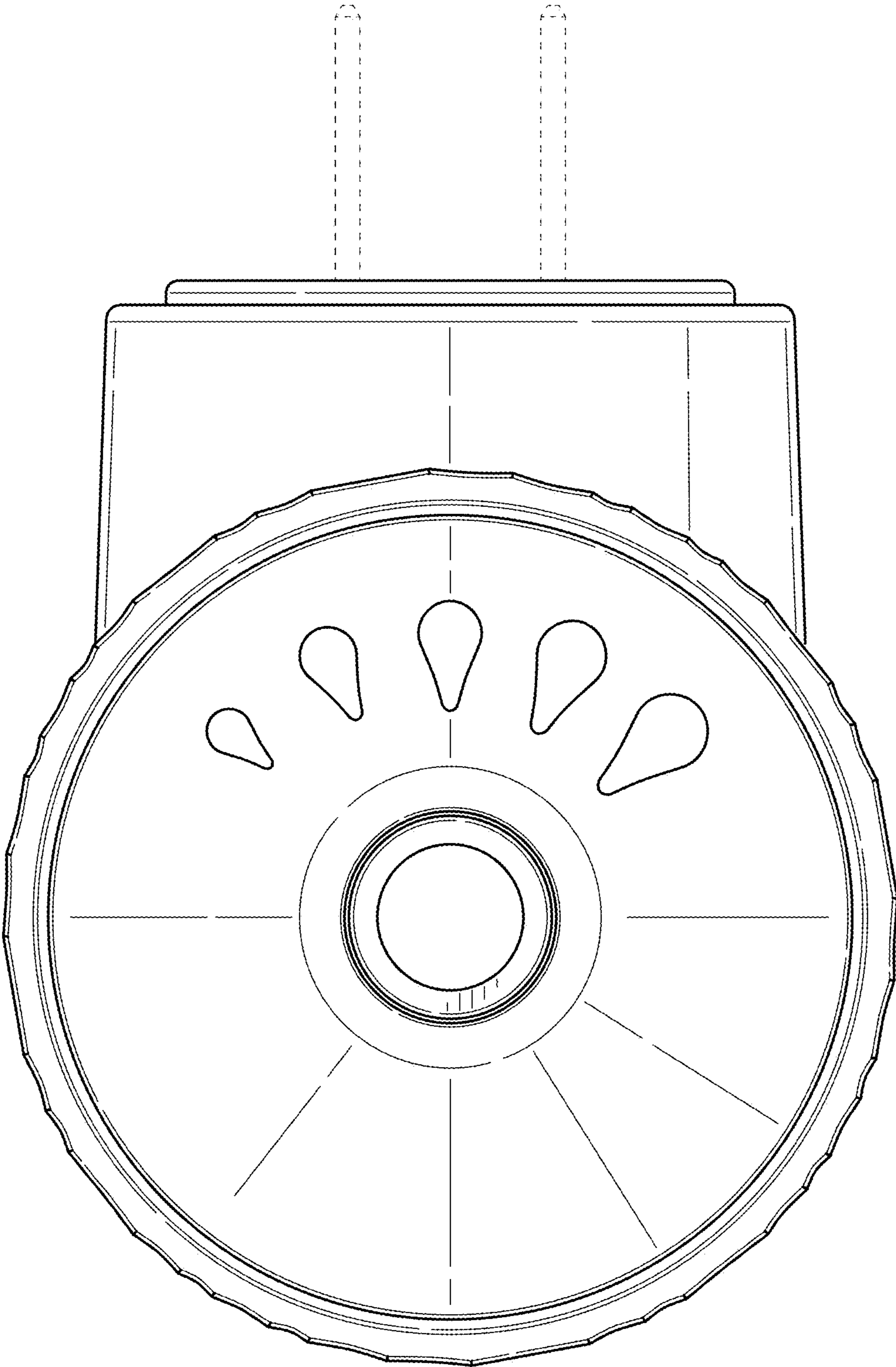


Fig. 6

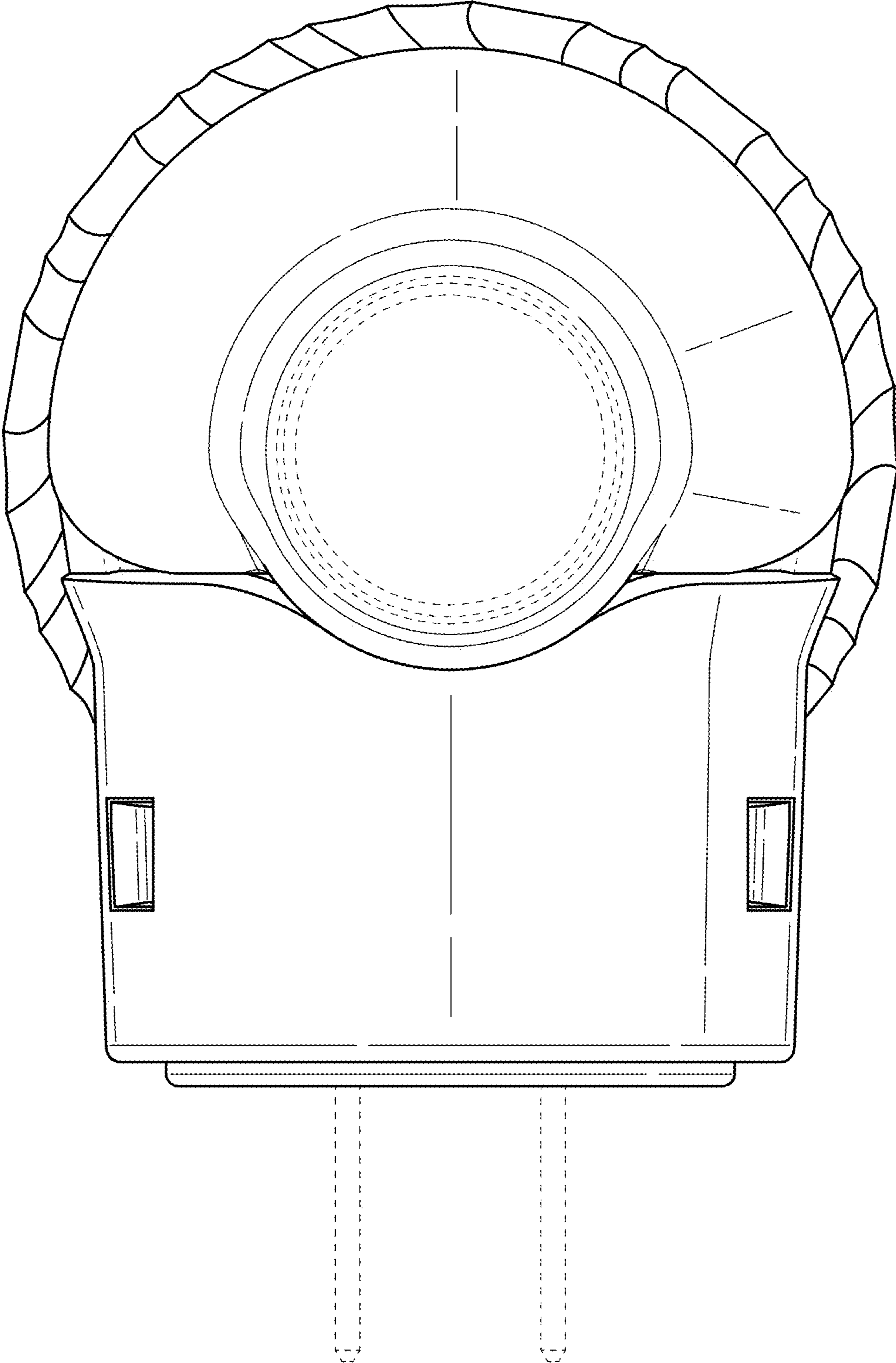


Fig. 7

UNITED STATES PATENT AND TRADEMARK OFFICE
CERTIFICATE OF CORRECTION


PATENT NO. : D976,380 S
APPLICATION NO. : 29/845256
DATED : January 24, 2023
INVENTOR(S) : Baranova et al.

Page 1 of 1

It is certified that error appears in the above-identified patent and that said Letters Patent is hereby corrected as shown below:

On the Title Page

Item (30) please add:
-- Foreign Application Priority Data
01/13/2022 (EU) 008828677 --

Signed and Sealed this
Twelfth Day of September, 2023

Katherine Kelly Vidal
Director of the United States Patent and Trademark Office