



US00D976379S

(12) **United States Design Patent**
Wahl

(10) **Patent No.:** **US D976,379 S**
(45) **Date of Patent:** **** Jan. 24, 2023**

(54) **AIR PURIFIER**

(71) Applicant: **Inter IKEA Systems B.V.**, LN Delft (NL)

(72) Inventor: **David Wahl**, Älmhult (SE)

(73) Assignee: **Inter Ikea Systems B.V.**, Delft (NL)

(**) Term: **15 Years**

(21) Appl. No.: **29/773,792**

(22) Filed: **Mar. 11, 2021**

(30) **Foreign Application Priority Data**

Oct. 2, 2020 (EM) 008193510

(51) **LOC (14) Cl.** **23-04**

(52) **U.S. Cl.**
USPC **D23/364**

(58) **Field of Classification Search**
USPC D23/355–366, 352, 369, 332–336, 342,
D23/351; D17/22
CPC A47B 7/00; A47B 11/00; G10D 13/02;
G10D 13/28
See application file for complete search history.

(56) **References Cited**

U.S. PATENT DOCUMENTS

2,459,017	A *	1/1949	Crew	A47B 11/00
					108/139
D190,891	S *	7/1961	Mobley	D23/370
D281,272	S *	11/1985	Lynch, Jr.	D23/364
D311,018	S *	10/1990	Corder	D17/22
D358,639	S *	5/1995	Chiu	D13/162
D548,825	S *	8/2007	Suzuki	D23/364
D687,937	S *	8/2013	Nemes	D23/332
D861,845	S *	10/2019	Chen	D23/364
D873,398	S *	1/2020	Seo	D23/364
D889,620	S *	7/2020	Victorin	D23/364
D936,809	S *	11/2021	Shen	D23/364

D949,312	S *	4/2022	Jeon	D23/364
D958,954	S *	7/2022	Wahl	D23/364
2016/0023151	A1 *	1/2016	Swenerton	B01D 46/0005
					55/467
2020/0114734	A1 *	4/2020	Zuberbuehler	B60H 3/06

FOREIGN PATENT DOCUMENTS

KR 300939012 * 1/2021

OTHER PUBLICATIONS

LG PuriCare Air Purifier Round Console—Maintenance, announced in YouTube on Jul. 24, 2018 [online], [site visited Aug. 5, 2022], Available from the internet URL: <https://www.youtube.com/watch?v=DJCTfyCDaTc> (Year: 2018).*

(Continued)

Primary Examiner — Amy C Wierenga

Assistant Examiner — Kathryn Elizabeth Zieno

(74) *Attorney, Agent, or Firm* — Tucker Ellis LLP

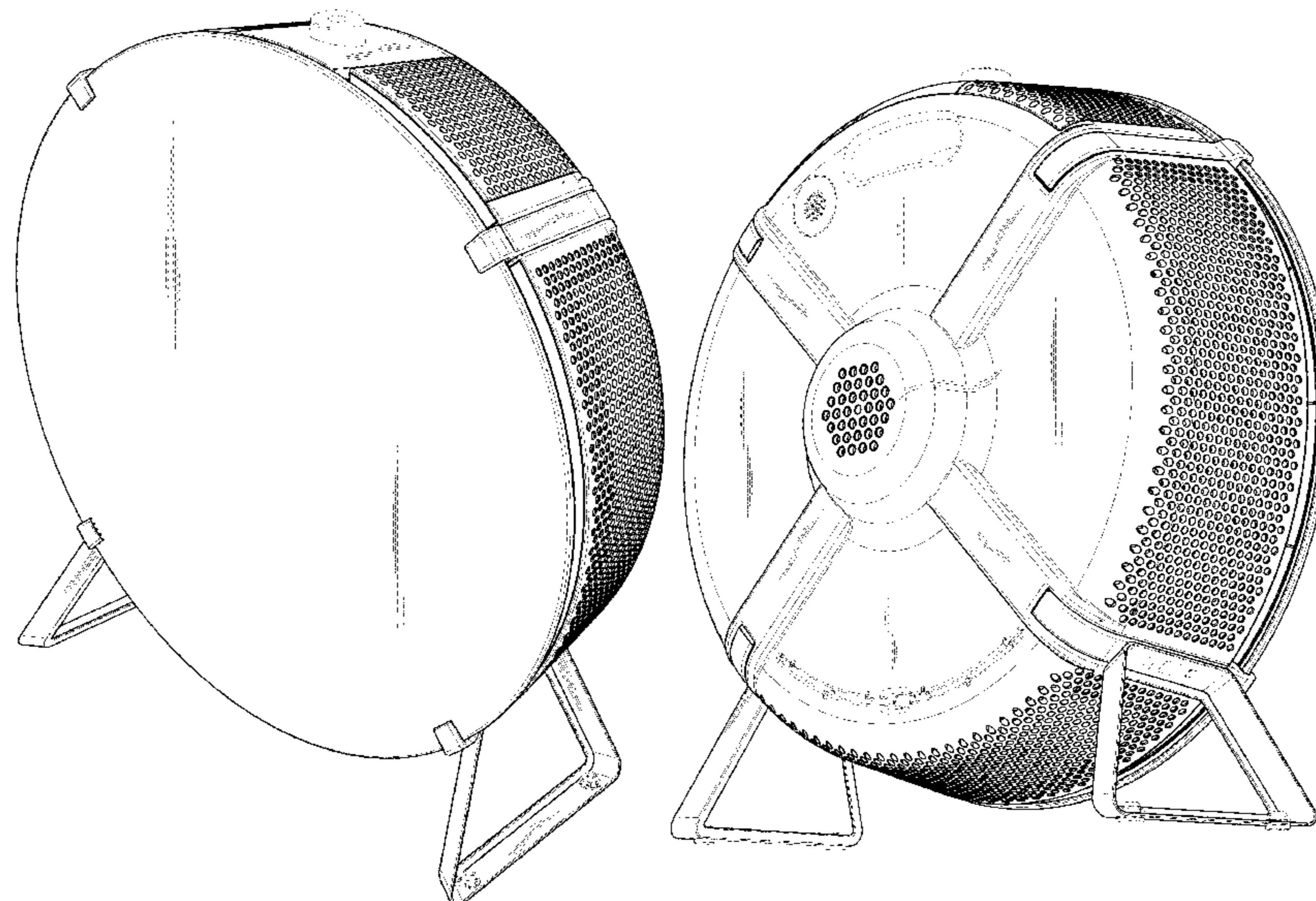
(57) **CLAIM**

The ornamental design for an air purifier, as shown and described.

DESCRIPTION

FIG. 1 is a front, left side and top perspective view of an air purifier showing my new design;
FIG. 2 is a rear, right side and bottom perspective view thereof;
FIG. 3 is a top view thereof;
FIG. 4 is a bottom view thereof;
FIG. 5 is a front view thereof;
FIG. 6 is a rear view thereof;
FIG. 7 is a left side view thereof; and,
FIG. 8 is a right side view thereof.
The broken lines in the drawings illustrate portions of the air purifier that form no part of the claimed design.

1 Claim, 7 Drawing Sheets



(56)

References Cited

OTHER PUBLICATIONS

LG PuriCare Air Purifier Review, announced in YouTube on Mar. 29, 2017 [online], [site visited Aug. 5, 2022], Available from the internet URL: <https://www.youtube.com/watch?v=leMMjFImjwc> (Year: 2017).*

Starkvind Air Purifier (IKEA); Announced on YouTube Dec. 1, 2021; Site Visited Online Aug. 23, 3033], Available from the internet URL: <https://www.youtube.com/watch?v=dzv3cGfV4Ik> (Year: 2021).*

Ikea Starkvind reivew: "The Air Purifier that blends in" on the ambient.com, Online Publish Date Mar. 29, 2022; Site Visited Online Aug. 23, 3033], Available from the internet URL: <https://www.the-ambient.com/reviews/ikea-starkvind-review-the-air-purifier-that-blends-in-2863> (Year: 2022).*

* cited by examiner

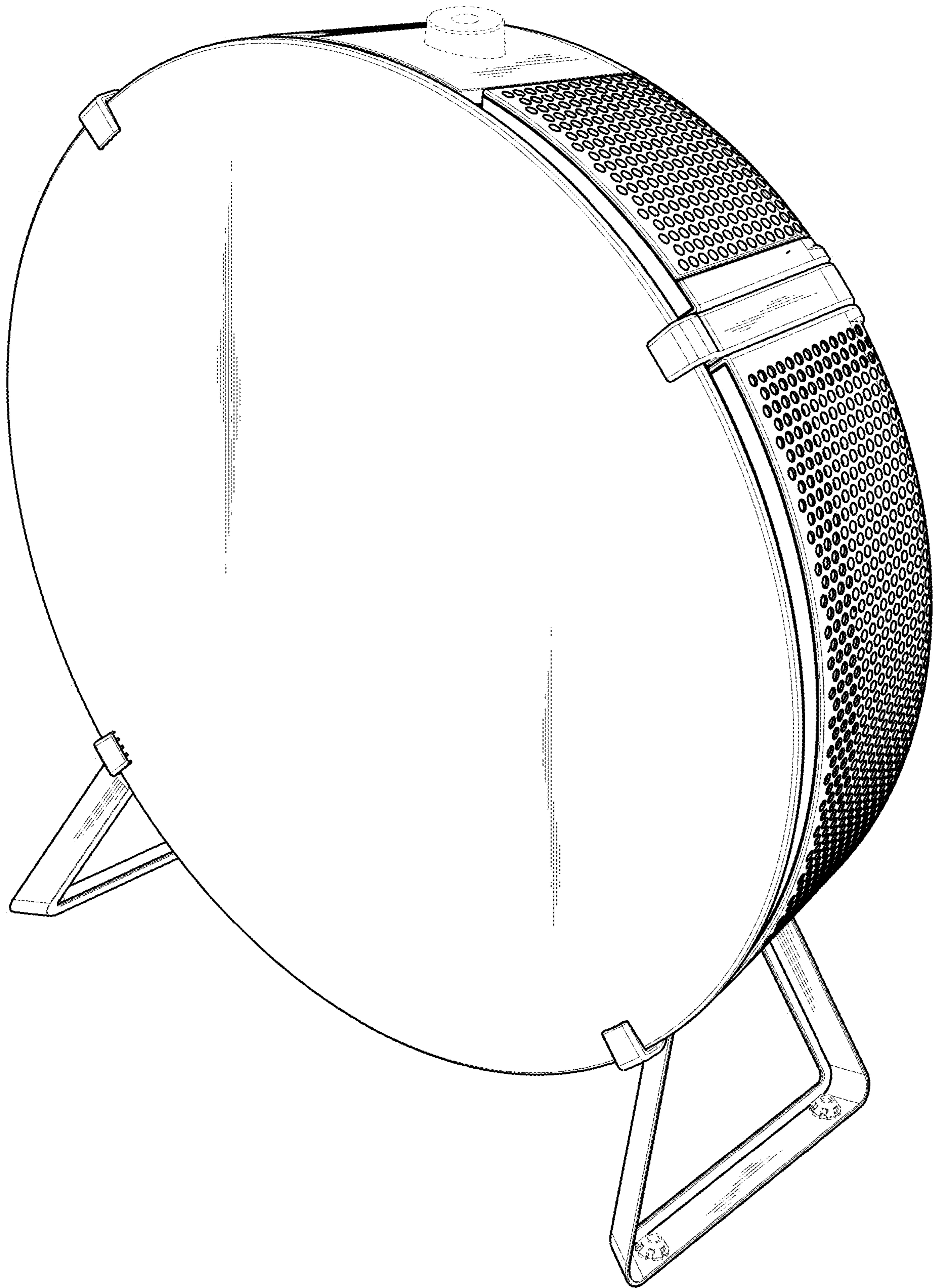


FIG. 1

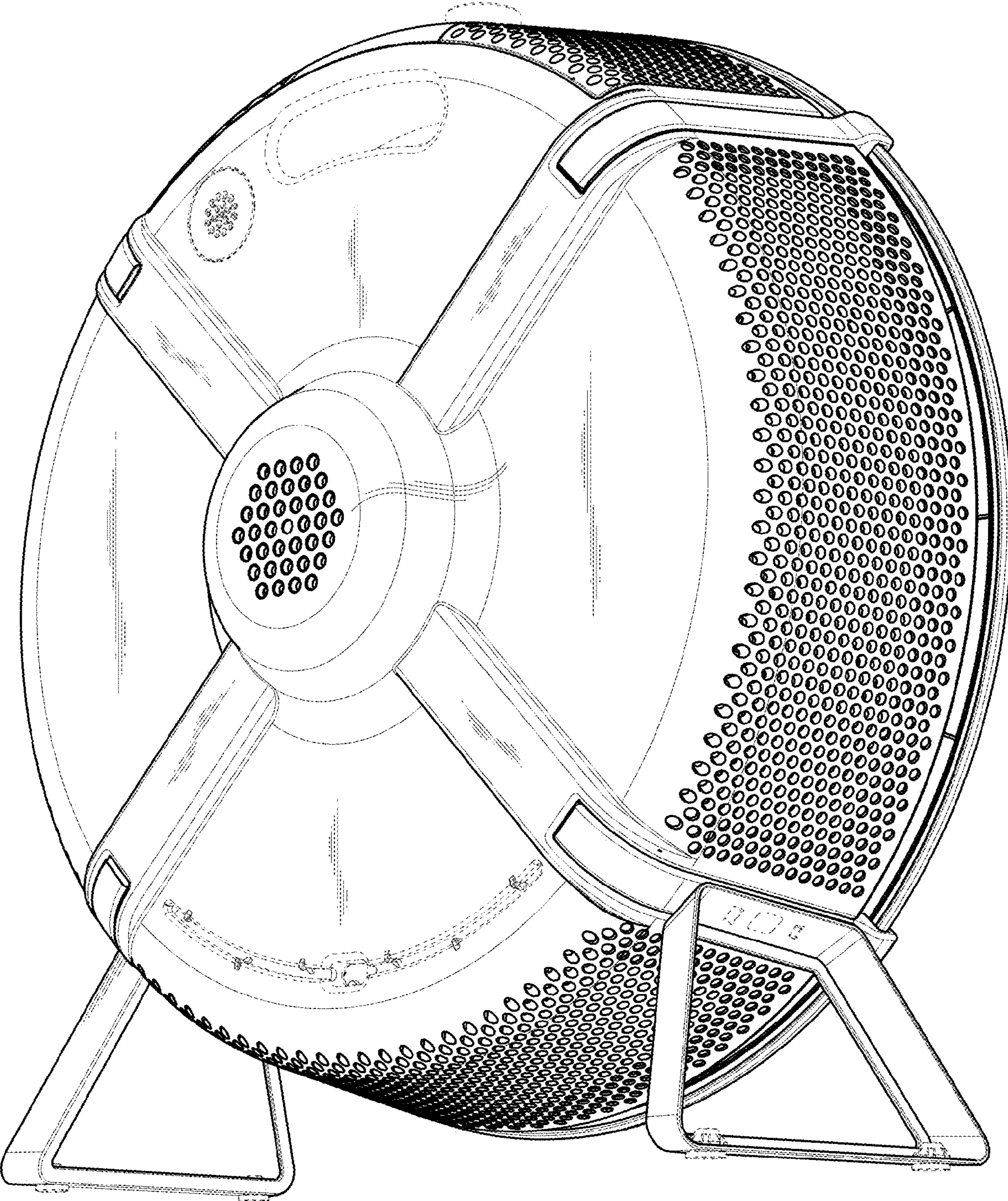


FIG. 2

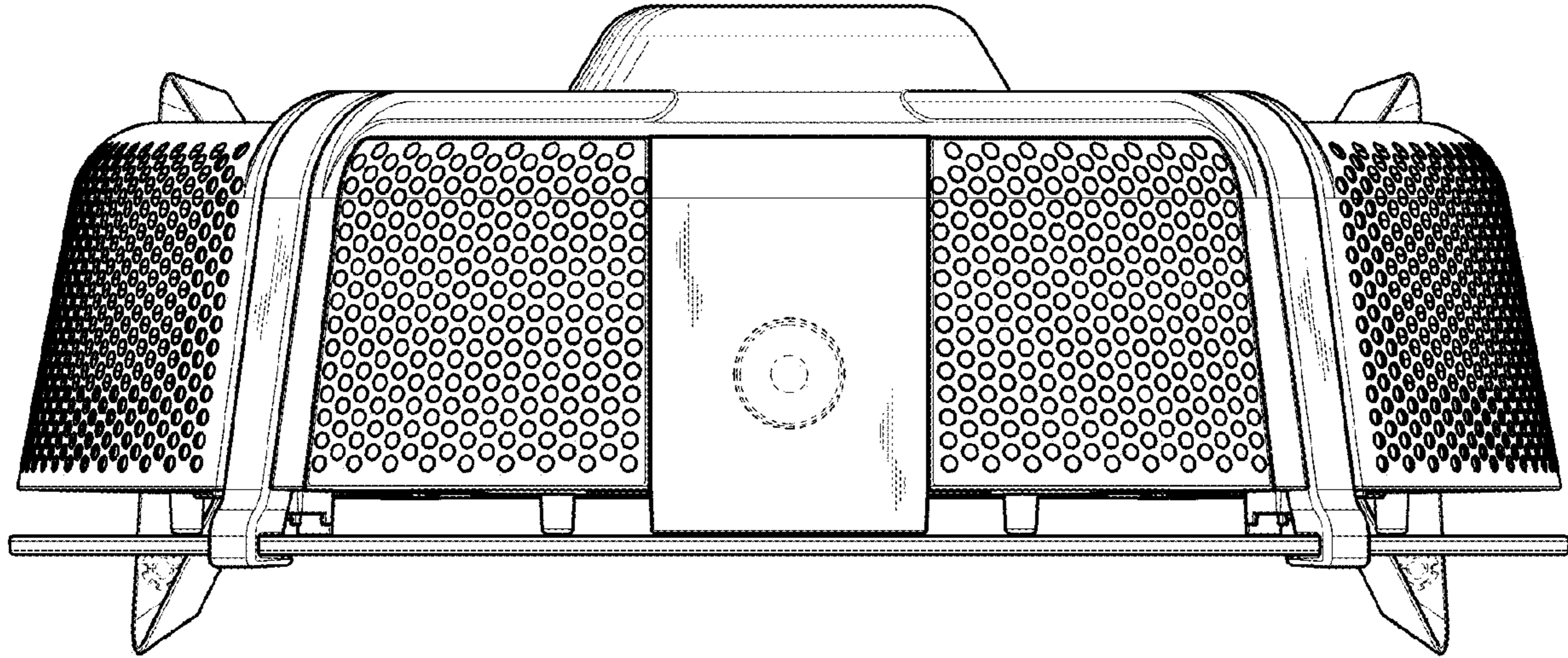


FIG. 3

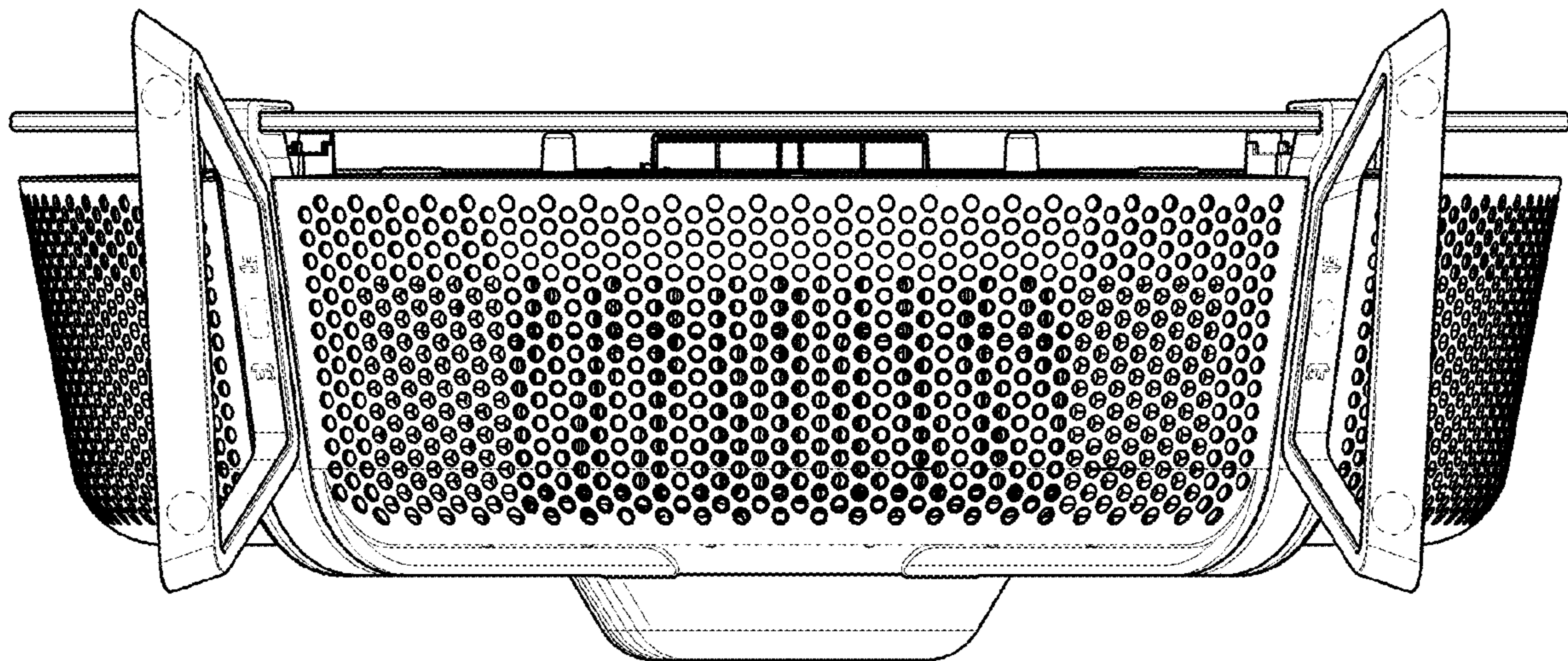


FIG. 4

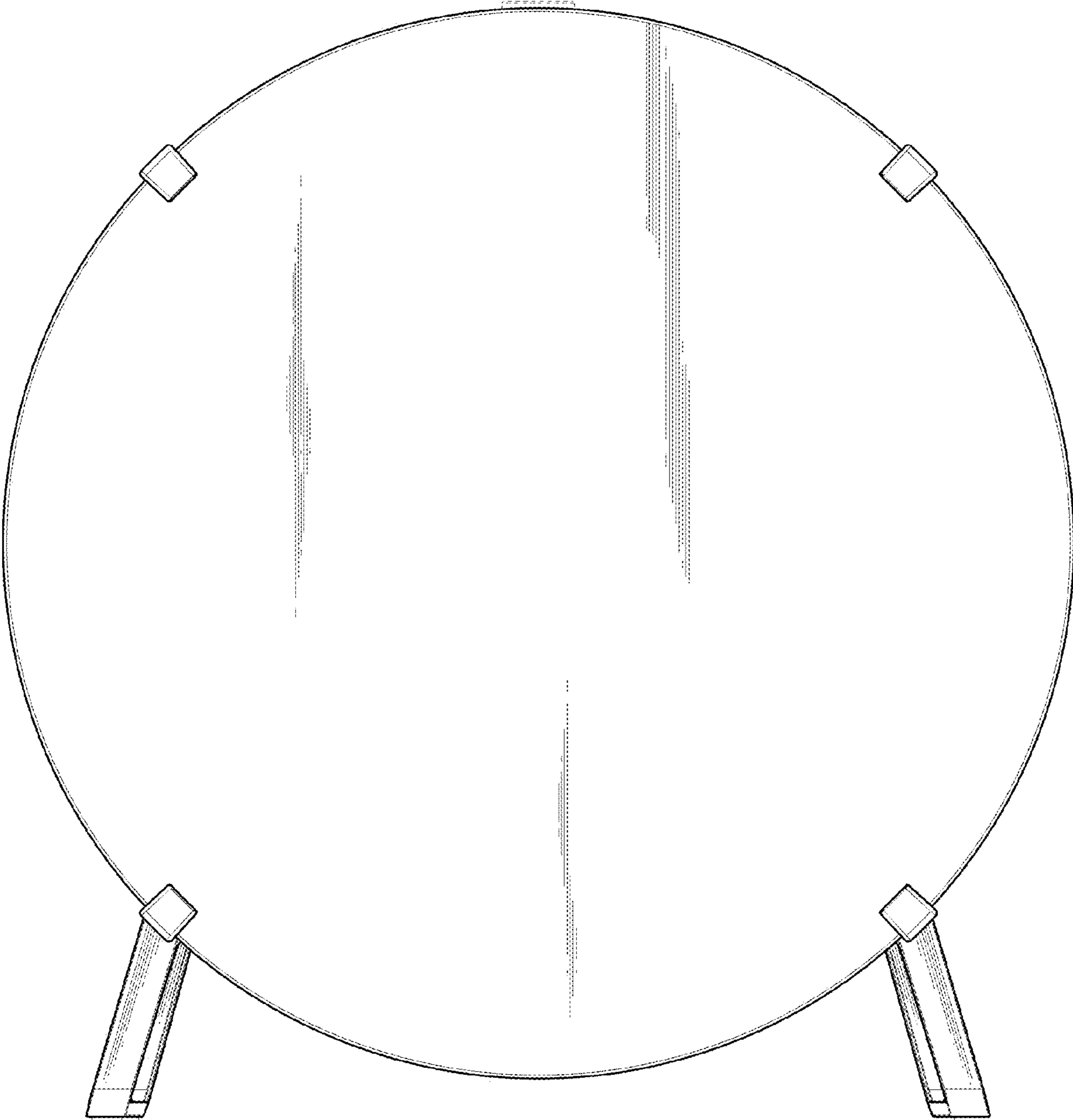


FIG. 5

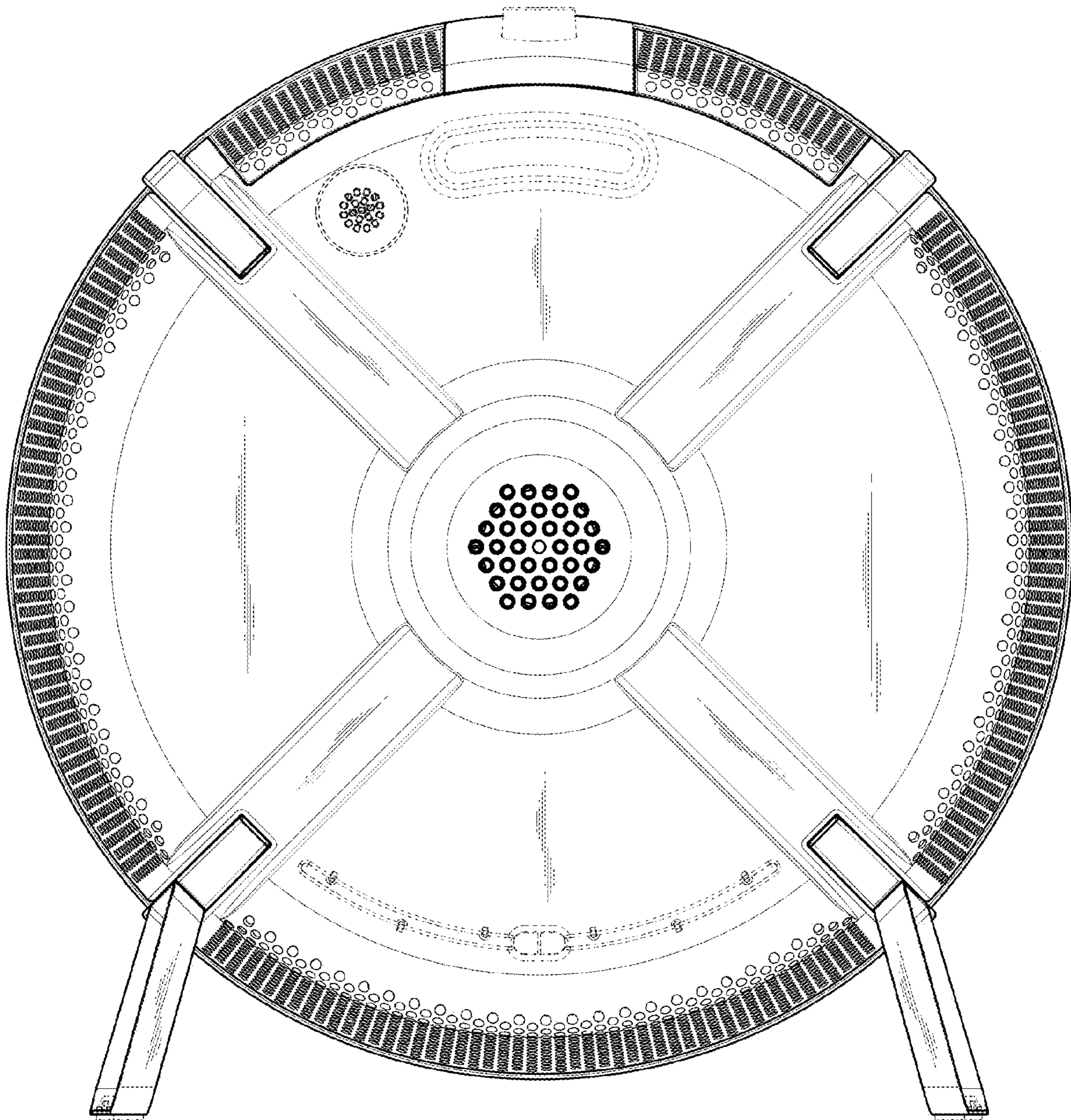


FIG. 6

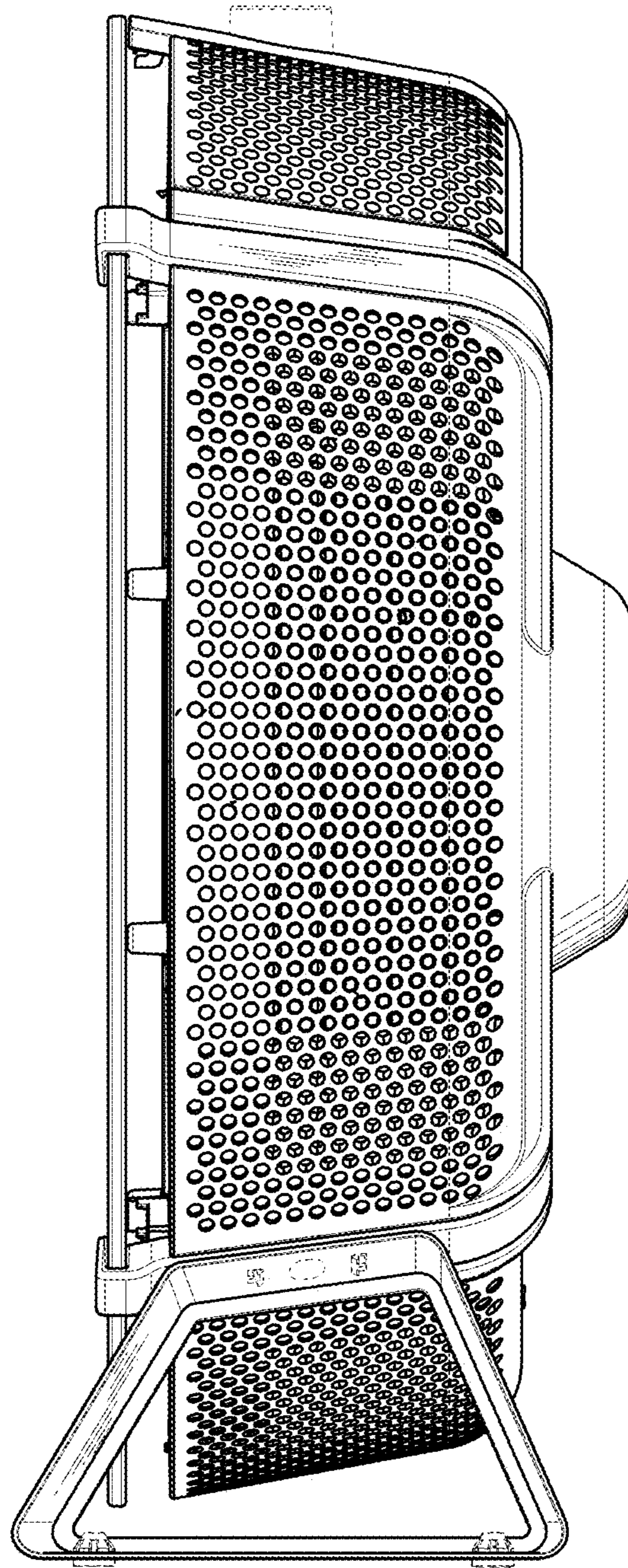


FIG. 7

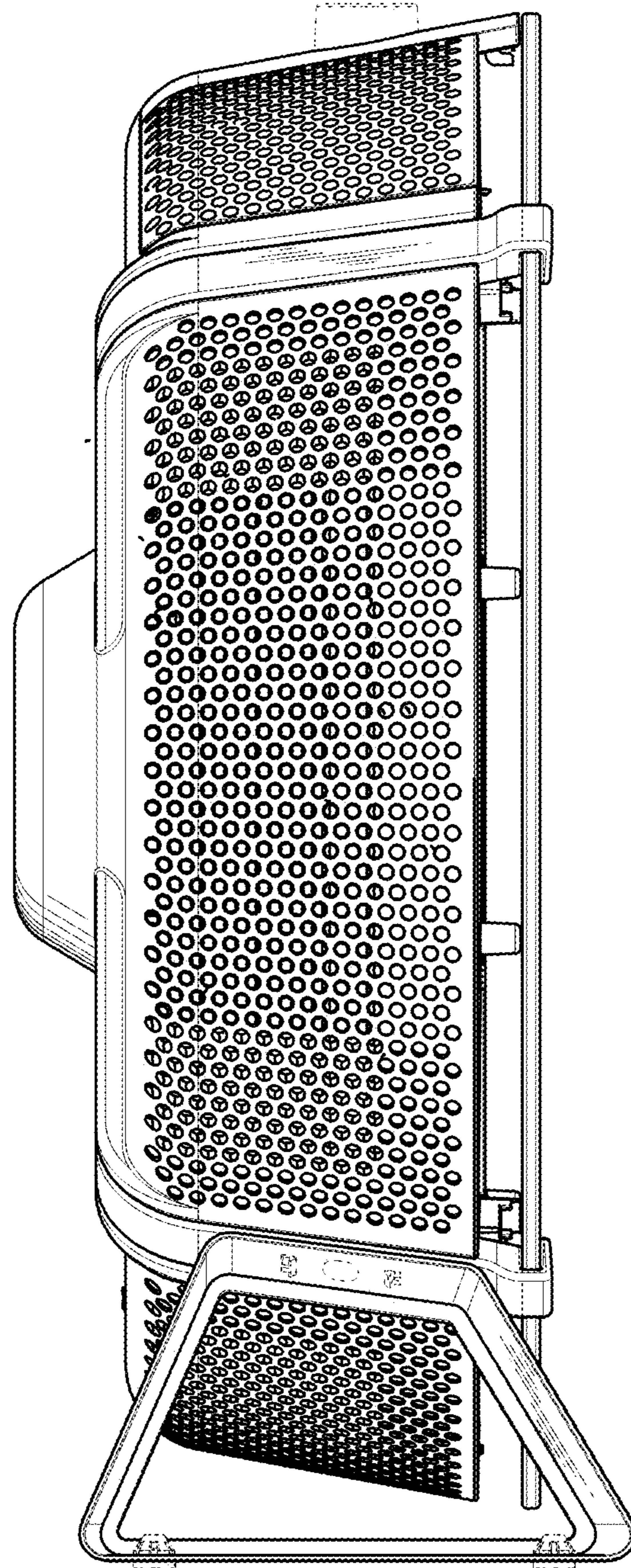


FIG. 8