



US00D976378S

(12) **United States Design Patent**
Liu

(10) **Patent No.:** **US D976,378 S**
(45) **Date of Patent:** **** Jan. 24, 2023**

(54) **HEATER**
(71) Applicant: **Chia-Ming Liu**, Douliou (TW)
(72) Inventor: **Chia-Ming Liu**, Douliou (TW)

4,651,711 A * 3/1987 Velie F24H 3/0488
126/99 D
4,848,313 A * 7/1989 Velie F24H 3/0488
126/99 D
7,757,510 B2 * 7/2010 Rosete F24F 3/0442
52/794.1

(**) Term: **15 Years**

(Continued)

(21) Appl. No.: **29/741,052**

(22) Filed: **Jul. 9, 2020**

(30) **Foreign Application Priority Data**

Feb. 26, 2020 (CN) 202020211212.5

(51) **LOC (14) Cl.** **07-02**

(52) **U.S. Cl.**
USPC **D23/342**

(58) **Field of Classification Search**
USPC D23/328, 332, 335-337, 342, 355, 357;
D7/348
CPC F24B 1/181; F24H 9/02; F24H 9/2085;
F24H 3/006; F24C 3/14
See application file for complete search history.

(56) **References Cited**

U.S. PATENT DOCUMENTS

114,528 A * 5/1871 Clark F24H 3/065
126/117
D97,578 S * 11/1935 Frick D7/348
2,139,618 A * 12/1938 Hall F24H 9/02
126/114
3,124,120 A * 3/1964 Best F24H 3/065
126/110 B
3,731,056 A * 5/1973 Becker F24H 3/0405
392/350
D260,283 S * 8/1981 Cagle D23/343
4,384,850 A * 5/1983 Dixon F23L 15/04
432/223
4,397,292 A * 8/1983 Mitchell F24B 7/00
126/61

OTHER PUBLICATIONS

Load Bank Energy Dissipation Units, first available date unavailable[online], [site visited Jun. 21, 2022]. Available from internet, URL:< <https://www.chromalox.com/en/catalog/industrial-heaters-and-systems/loadbanks-and-air-handlers/load-bank-energy-dissipation-units>> (Year: 2022).*

Primary Examiner — David G Muller
Assistant Examiner — Jamaal Rasheed

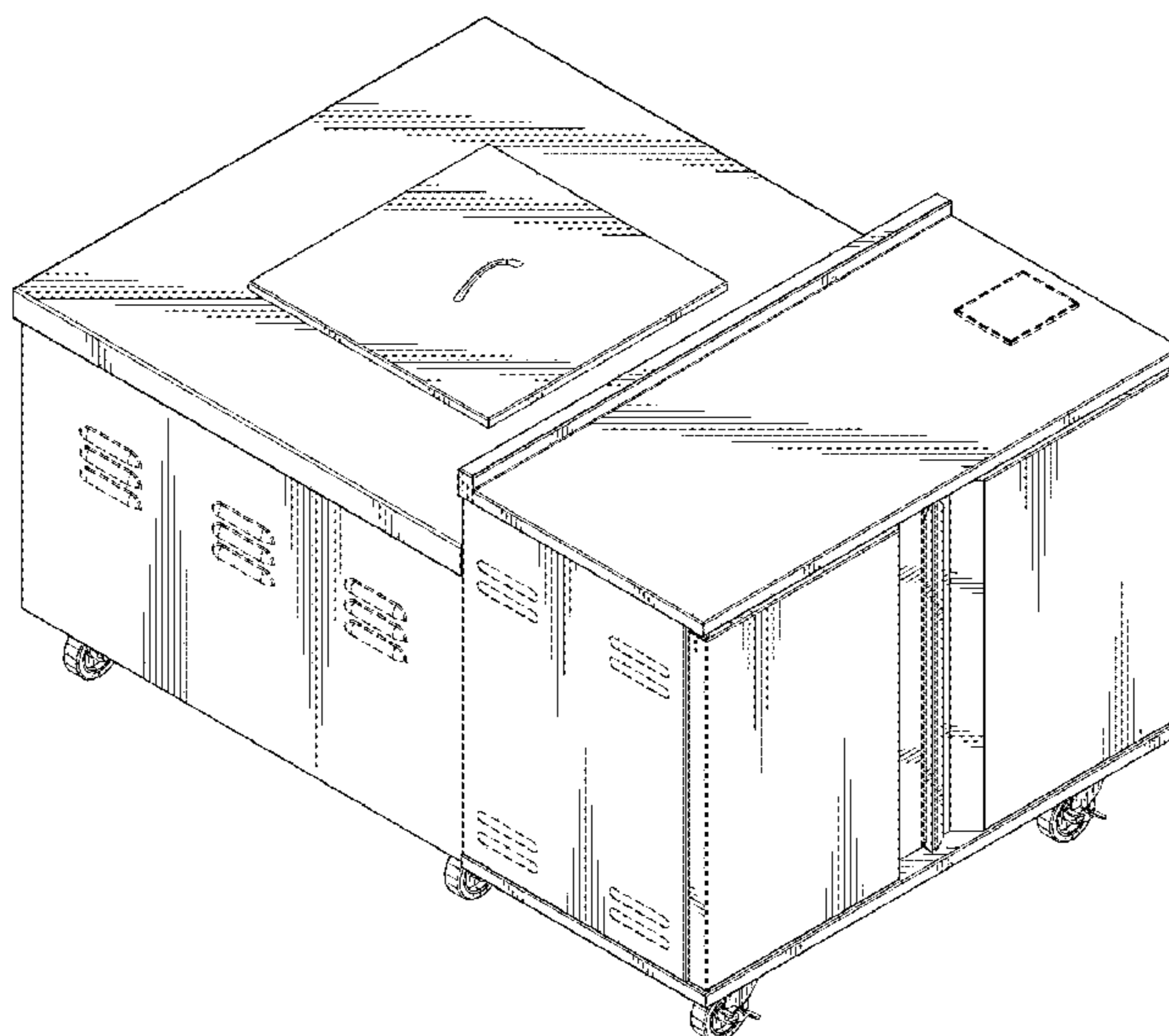
(57) **CLAIM**

The ornamental design for a heater, as shown and described.

DESCRIPTION

FIG. 1 is a perspective view of a heater showing my new design;
FIG. 2 is a front elevational view thereof;
FIG. 3 is a rear elevational view thereof;
FIG. 4 is a left side elevational view thereof;
FIG. 5 is a right side elevational view thereof;
FIG. 6 is a top plan view thereof;
FIG. 7 is a bottom plan view thereof;
FIG. 8 is a fragmentary, exploded perspective view thereof;
and,
FIG. 9 is a fragmentary sectional view taken along dot-dashed line IX-IX of FIG. 5.
The evenly-dashed broken lines depict portions of a heater in which the design is embodied that form no part of the claimed design.
The dot-dash broken lines in FIGS. 8 and 9 depict boundary lines for section cuts only and form no part of the claimed design.

1 Claim, 9 Drawing Sheets



(56)

References Cited

U.S. PATENT DOCUMENTS

11,060,739	B2 *	7/2021	Carton	F16B 19/02
D927,664	S *	8/2021	Martin, Sr.	D23/354
2007/0290586	A1 *	12/2007	Rosete	F24F 13/20
				29/890.035
2015/0111484	A1 *	4/2015	Son	F24F 13/20
				454/261
2021/0262698	A1 *	8/2021	Liu	F24B 1/181

* cited by examiner

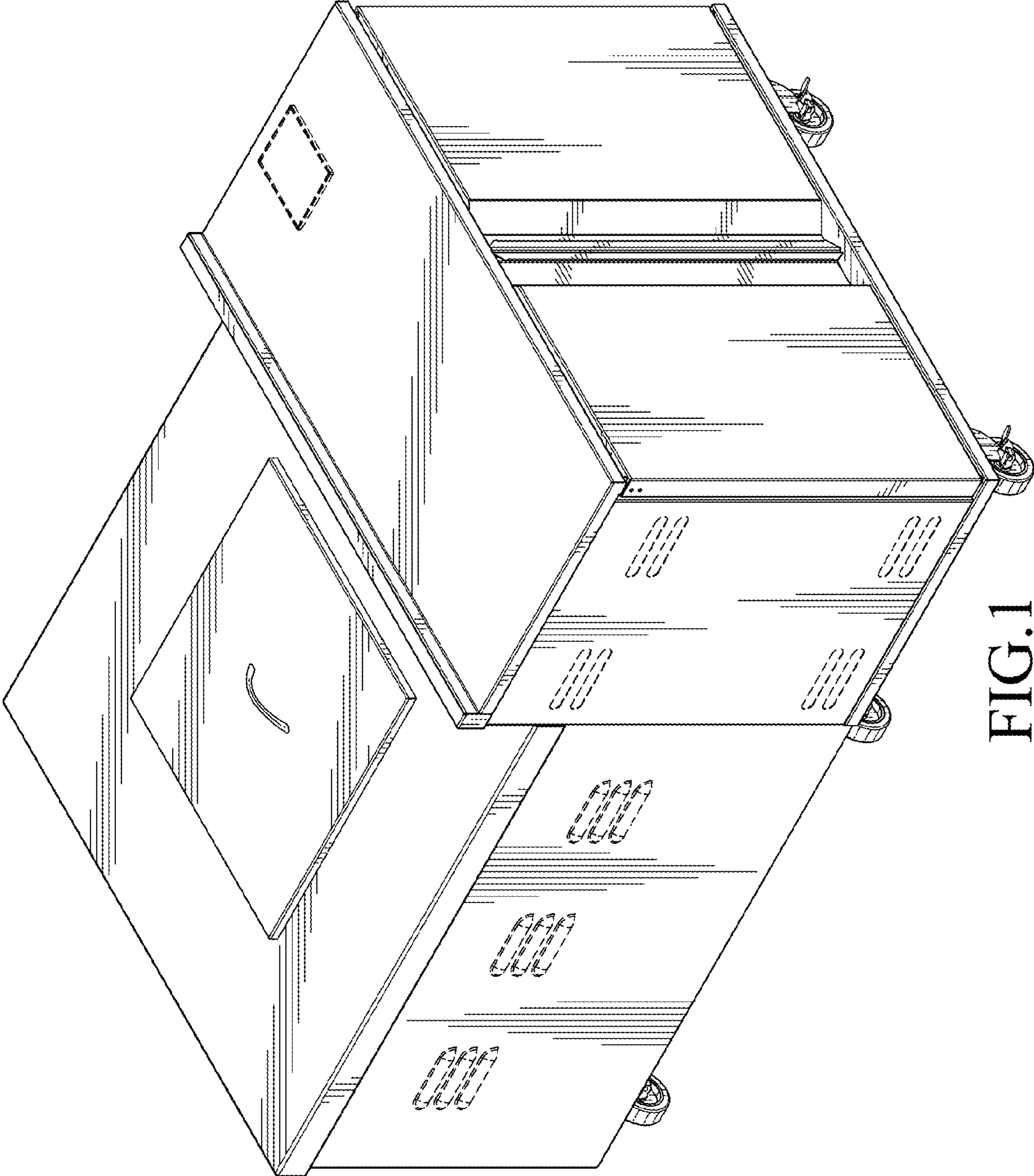


FIG.1

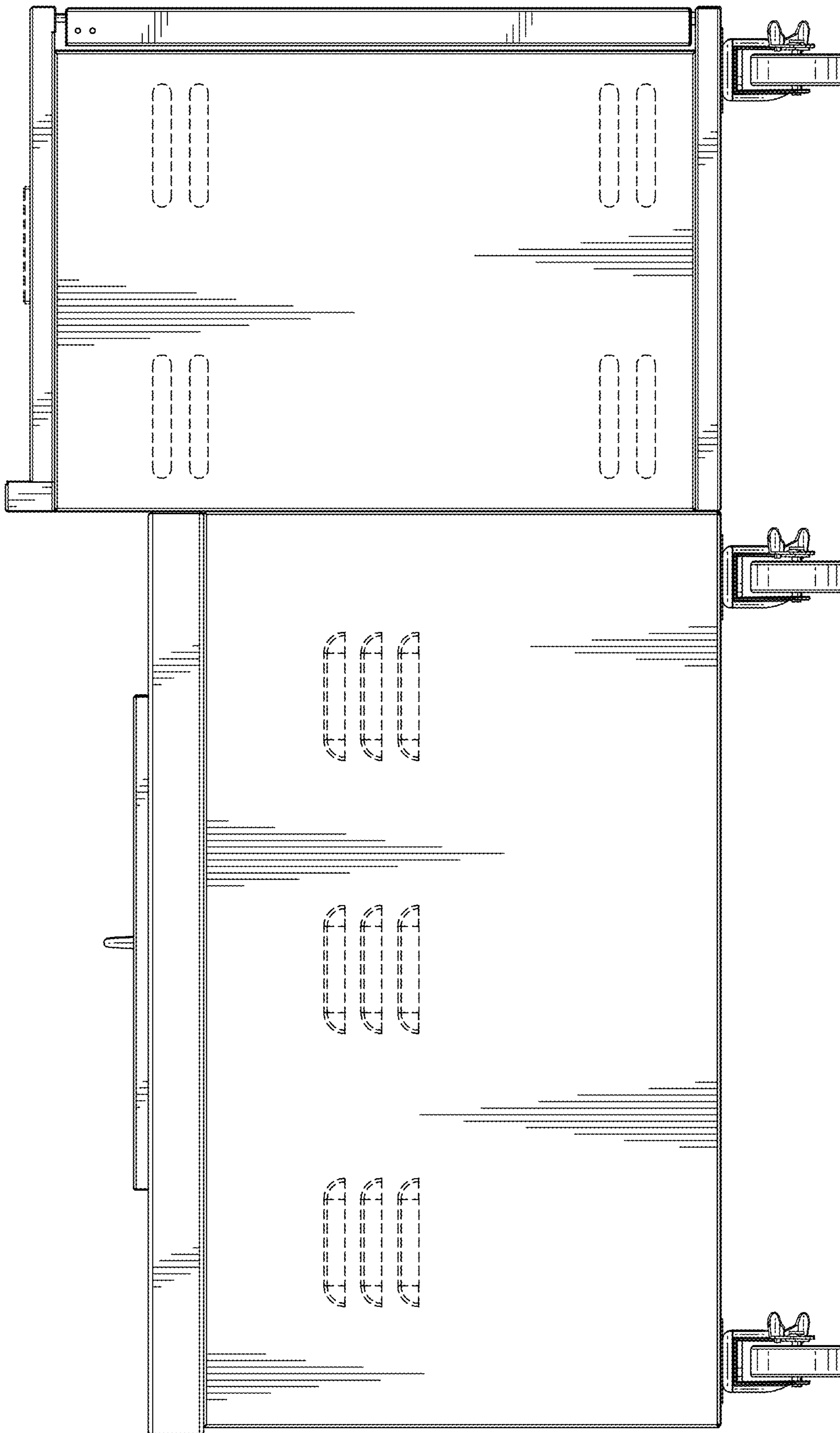


FIG.2

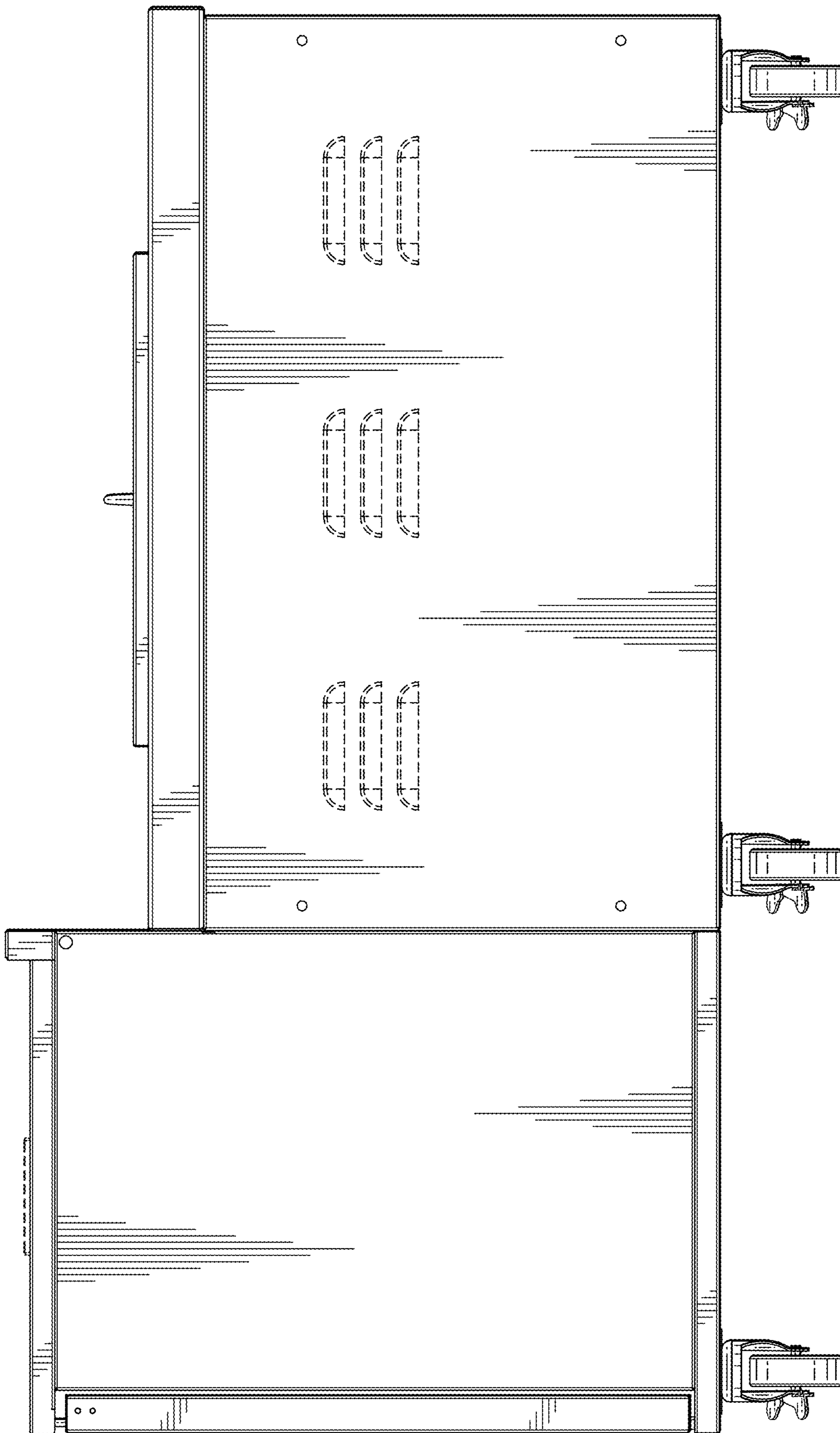


FIG.3

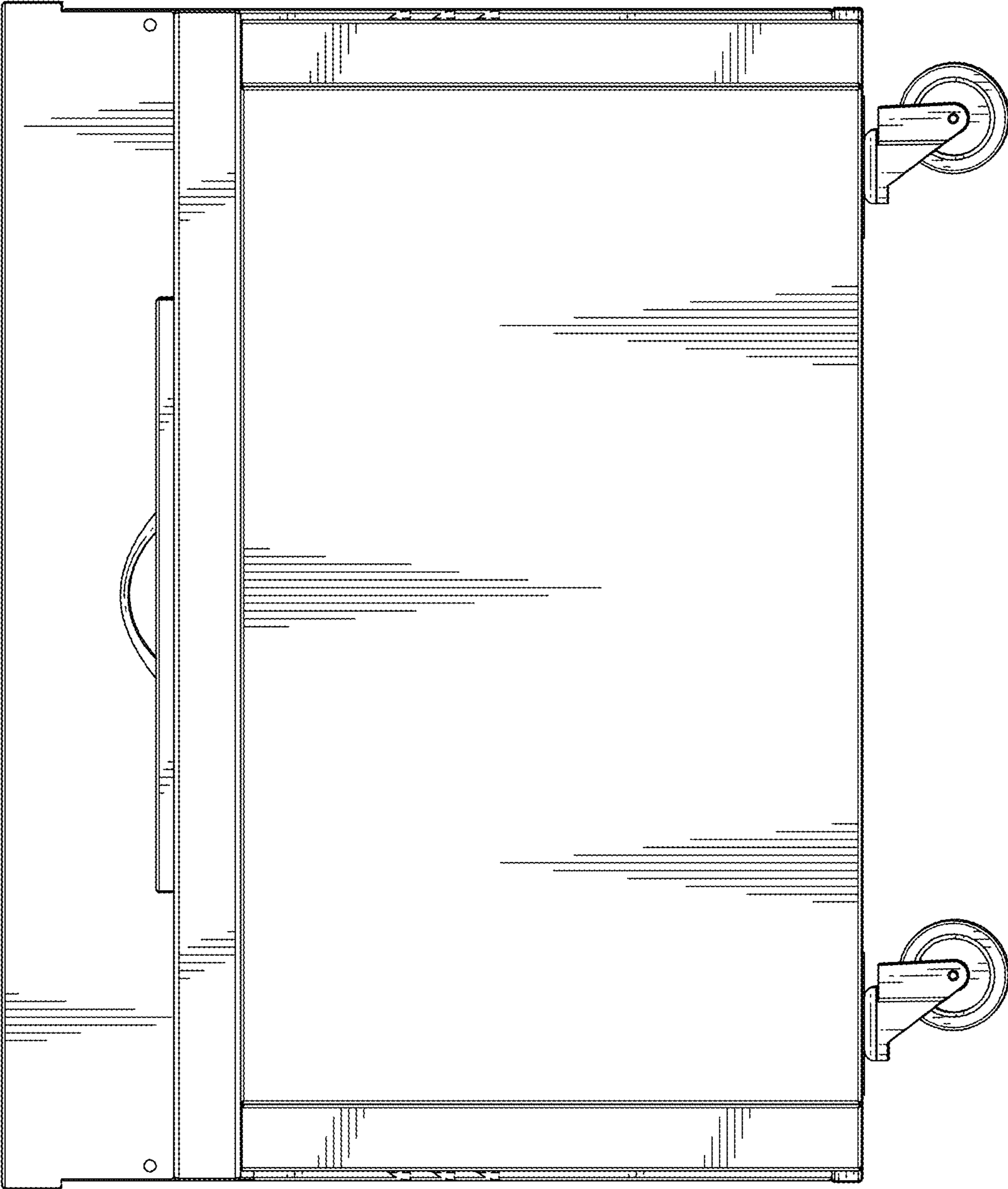


FIG.4

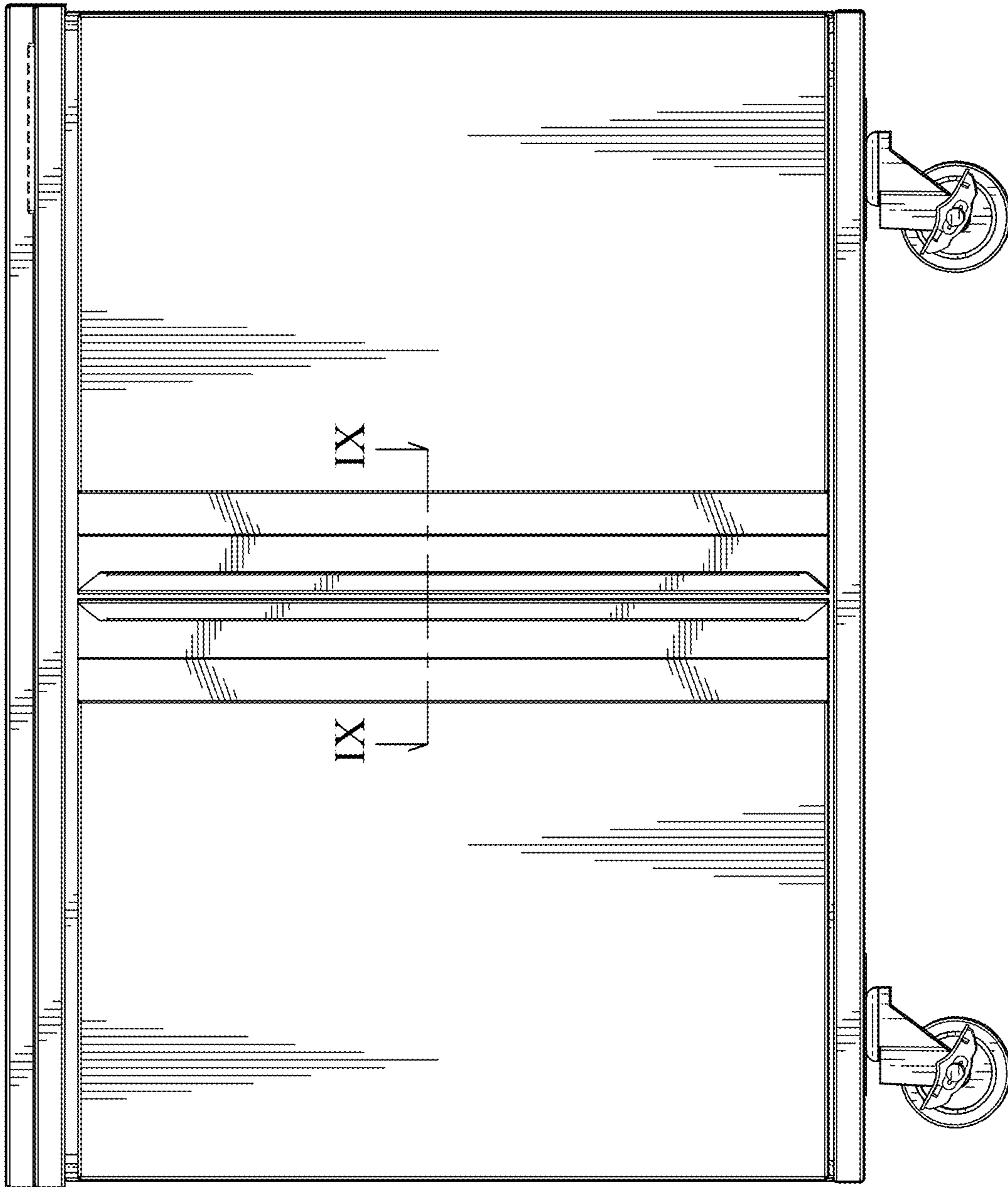


FIG. 5

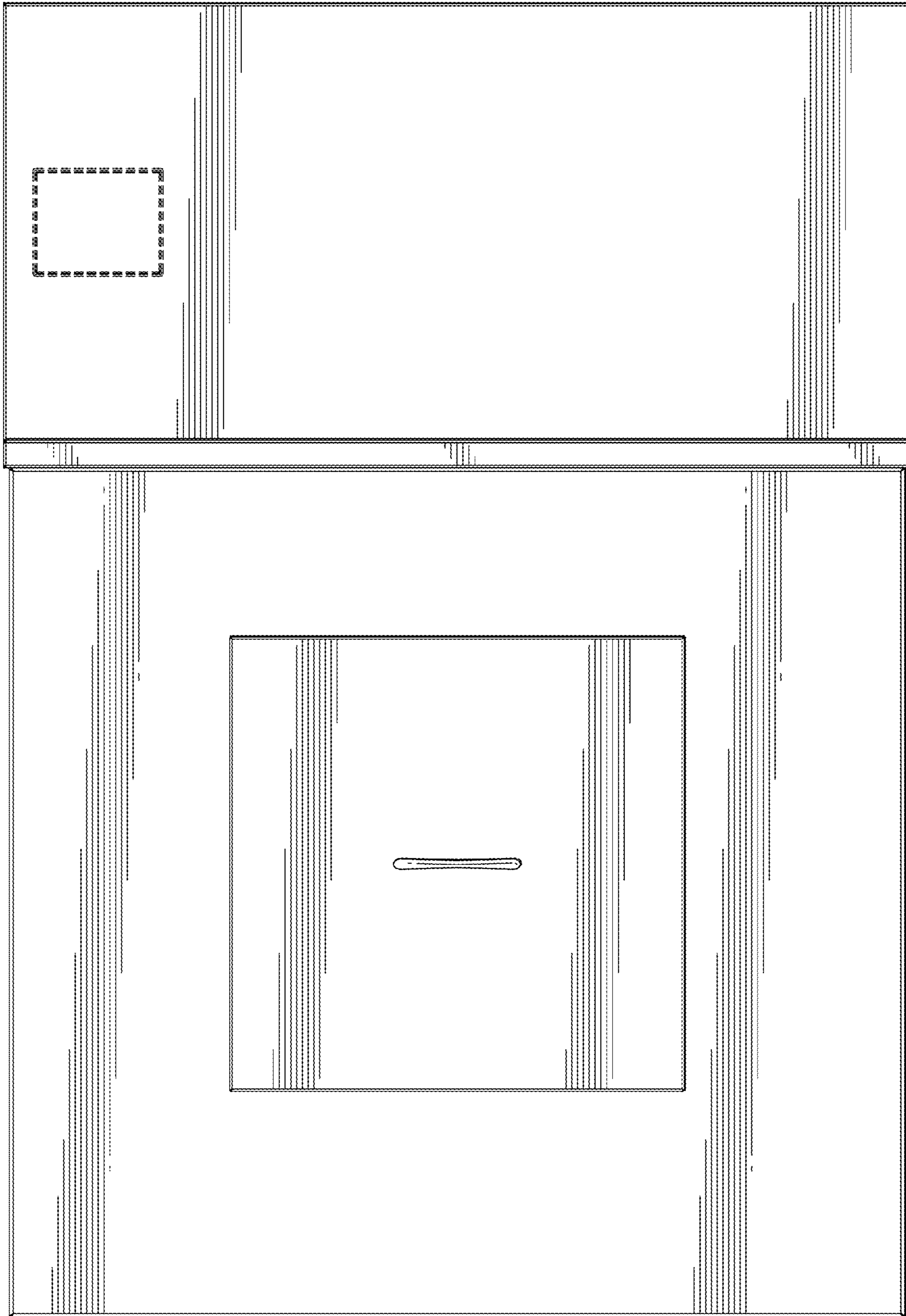


FIG.6

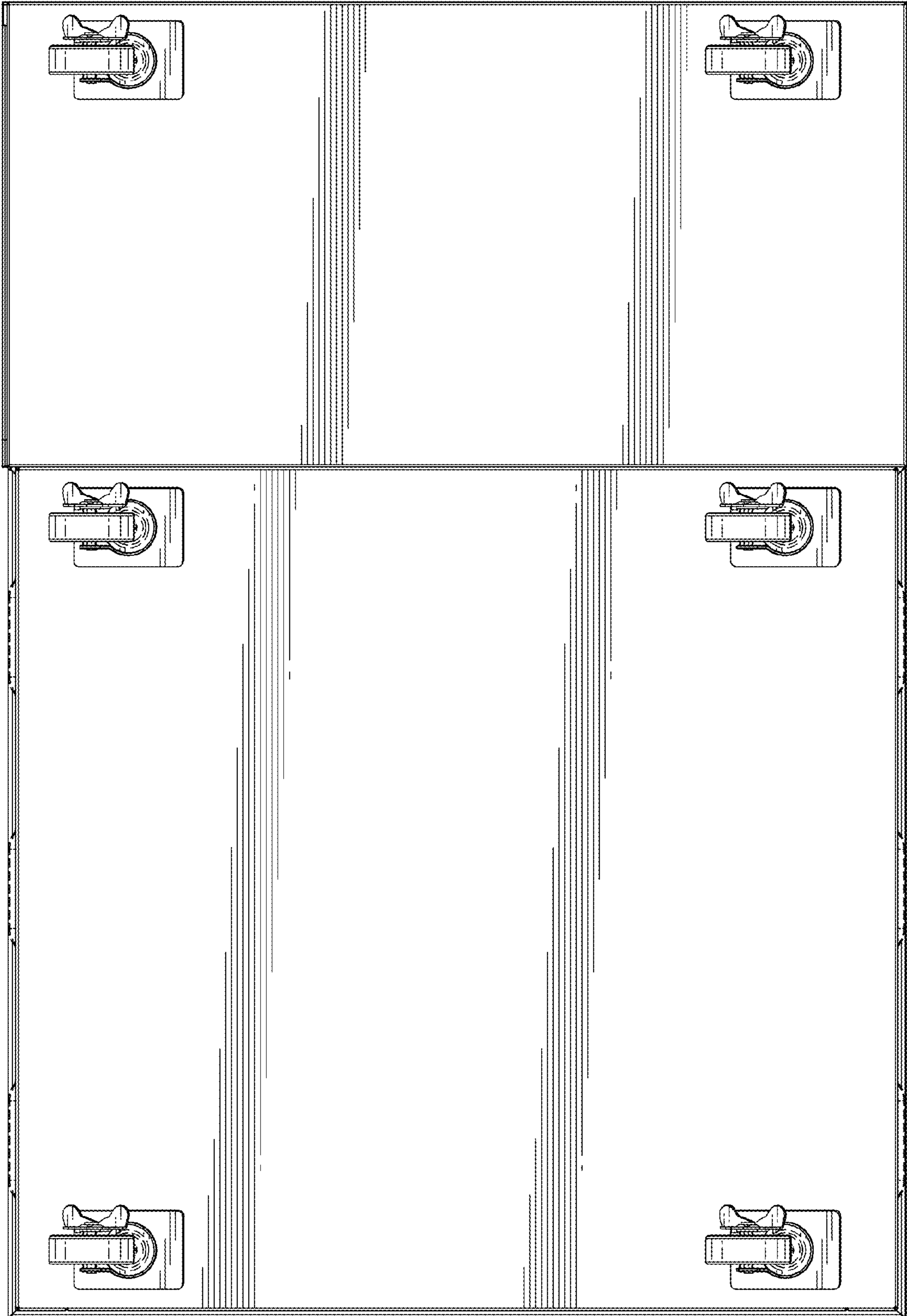


FIG. 7

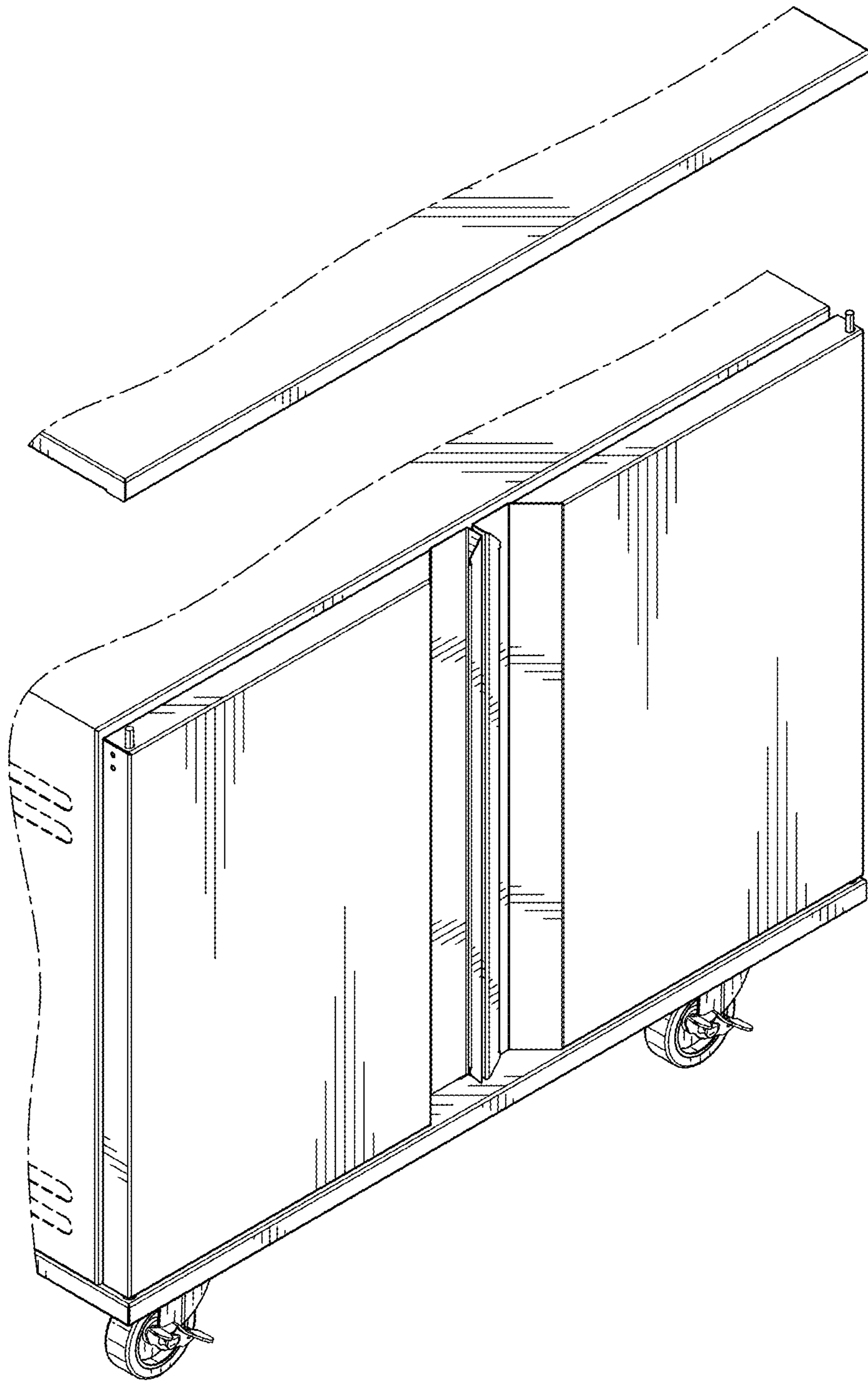


FIG. 8

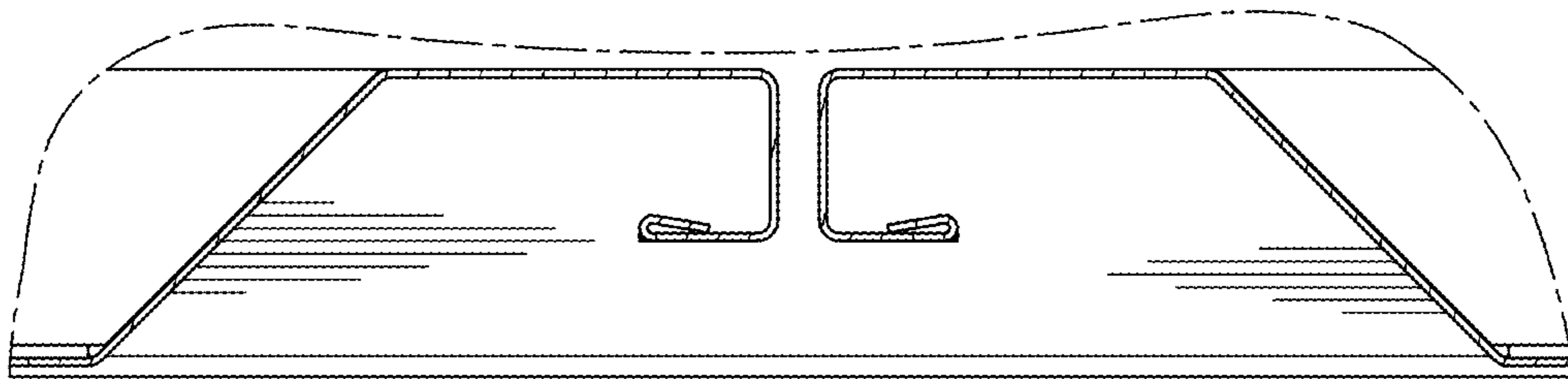


FIG.9