



US00D976377S

(12) **United States Design Patent** (10) **Patent No.:** **US D976,377 S**  
**Thomas** (45) **Date of Patent:** **\*\* Jan. 24, 2023**

(54) **COMBINED BARBEQUE AND PATIO HEATER**

(71) Applicant: **HESTIA CONCEPTS LTD.,**  
Canterbury (GB)  
(72) Inventor: **Samuel Haydn Andrew Thomas,**  
Canterbury (GB)  
(73) Assignee: **HESTIA CONCEPTS LTD.,**  
Canterbury (GB)

(\*\*) Term: **15 Years**  
(21) Appl. No.: **29/737,426**  
(22) Filed: **Jun. 9, 2020**

**Related U.S. Application Data**

(62) Division of application No. 29/629,445, filed on Dec. 13, 2017.

**Foreign Application Priority Data**

Jun. 14, 2017 (EM) ..... 004048221-0001  
Jun. 14, 2017 (EM) ..... 004048221-0002  
Jun. 14, 2017 (EM) ..... 004048221-0003

(51) **LOC (14) Cl.** ..... **23-03**  
(52) **U.S. Cl.**  
USPC ..... **D23/336; D7/332**

(58) **Field of Classification Search**  
USPC ..... D23/314, 317, 332, 336, 342-350, 329;  
D7/332, 334-337, 339, 341  
CPC .... F24C 7/105; F24C 1/10; F24C 3/04; F24C  
7/065; F23D 14/12; F24H 3/00; A47J  
2037/0777; A47J 37/0763; F24B 3/00;  
F24B 1/195; F24B 1/00; F24B 13/00;  
F24B 1/18; F24B 13/004; F24B 1/192;  
F24B 1/181; F24B 1/182; F24B 1/1802

See application file for complete search history.

(56) **References Cited**

U.S. PATENT DOCUMENTS

616,185 A 12/1898 Duis  
2,615,444 A 10/1952 Shaver  
D180,649 S 7/1957 Harding  
2,968,301 A \* 1/1961 Cowart ..... A47J 37/06  
126/25 A  
D244,031 S 4/1977 Baughman  
D255,710 S \* 7/1980 Heine ..... D23/349  
D259,386 S 6/1981 Mulder  
D271,130 S \* 10/1983 Frank ..... D23/343  
4,414,956 A 11/1983 Webber  
D289,195 S \* 4/1987 Desautels ..... D23/343  
D329,960 S 10/1992 Reynolds  
D359,115 S \* 6/1995 Schroeter ..... D23/342

(Continued)

*Primary Examiner* — Ania Aman

(74) *Attorney, Agent, or Firm* — Fay Sharpe LLP

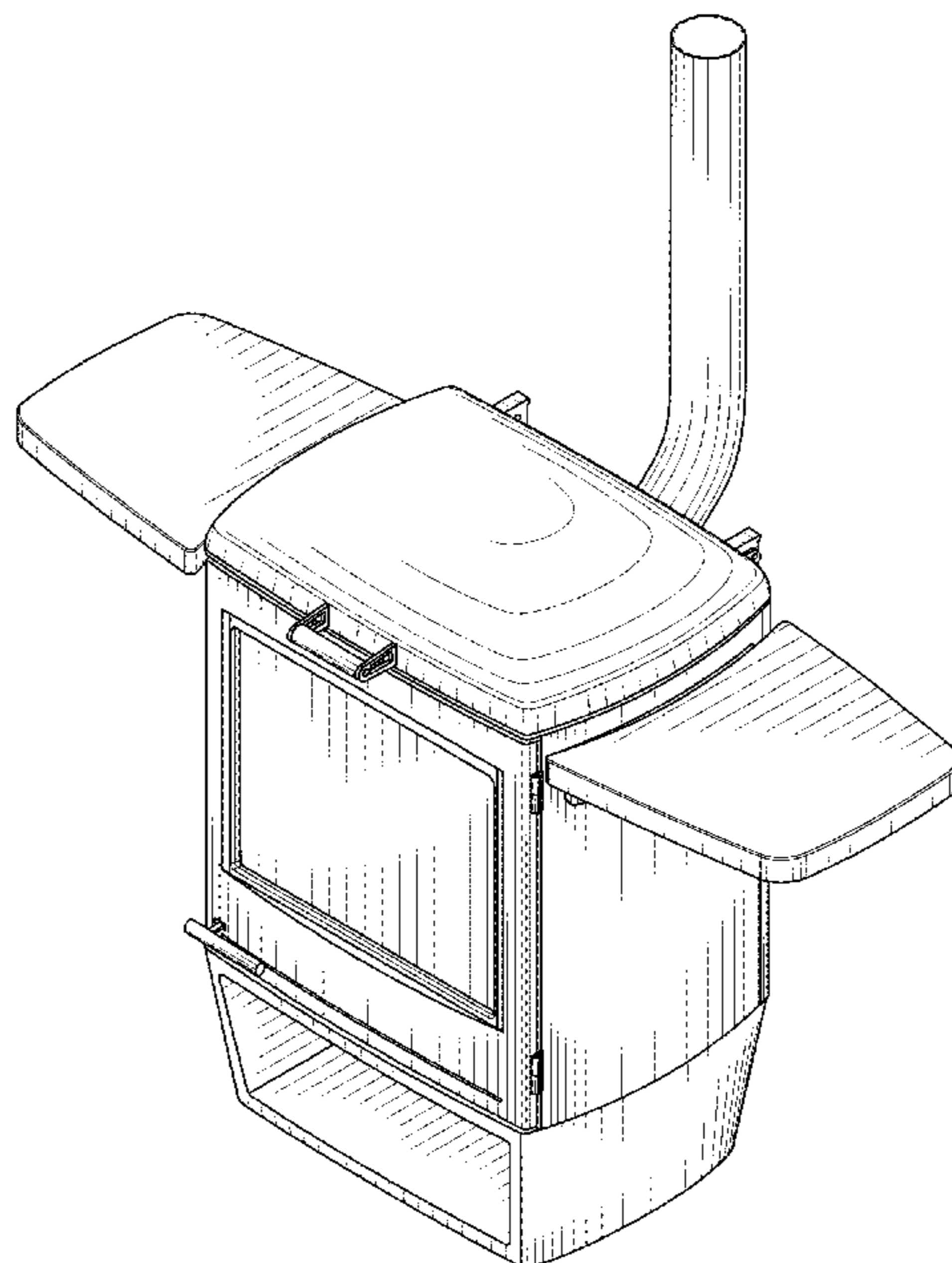
(57) **CLAIM**

The ornamental design for a combined barbeque and patio heater, as shown and described.

**DESCRIPTION**

FIG. 1 is a perspective view of a combined barbeque and patio heater of the present invention with the heater shown in a closed condition;  
FIG. 2 is a front view thereof;  
FIG. 3 is a rear view thereof;  
FIG. 4 is a right side view thereof;  
FIG. 5 is a left side view thereof;  
FIG. 6 is a top view thereof; and,  
FIG. 7 is a perspective view thereof with the combined barbeque and patio heater shown in an open condition.  
The bottom plan view forms no part of the claimed design. The broken line shown in the drawings are for the purpose of illustrating portions of the article and form no part of the claimed design.

**1 Claim, 7 Drawing Sheets**



(56)

**References Cited**

U.S. PATENT DOCUMENTS

D359,345	S	*	6/1995	Schroeter .....	D23/342
D443,464	S		6/2001	Davis	
D463,948	S		10/2002	Innes	
D490,884	S	*	6/2004	Warren .....	D23/343
D550,022	S		9/2007	Amajuwon et al.	
D583,185	S		12/2008	Rutter et al.	
D669,974	S		10/2012	McNeal	
D738,476	S	*	9/2015	Lee .....	D23/343
D760,531	S		7/2016	Scheer	
9,528,707	B2	*	12/2016	Atemboski .....	F23K 3/00
2015/0182075	A1		7/2015	Necsuliu	
2019/0346144	A1		11/2019	Thomas	
2020/0015626	A1		1/2020	Corso et al.	

\* cited by examiner

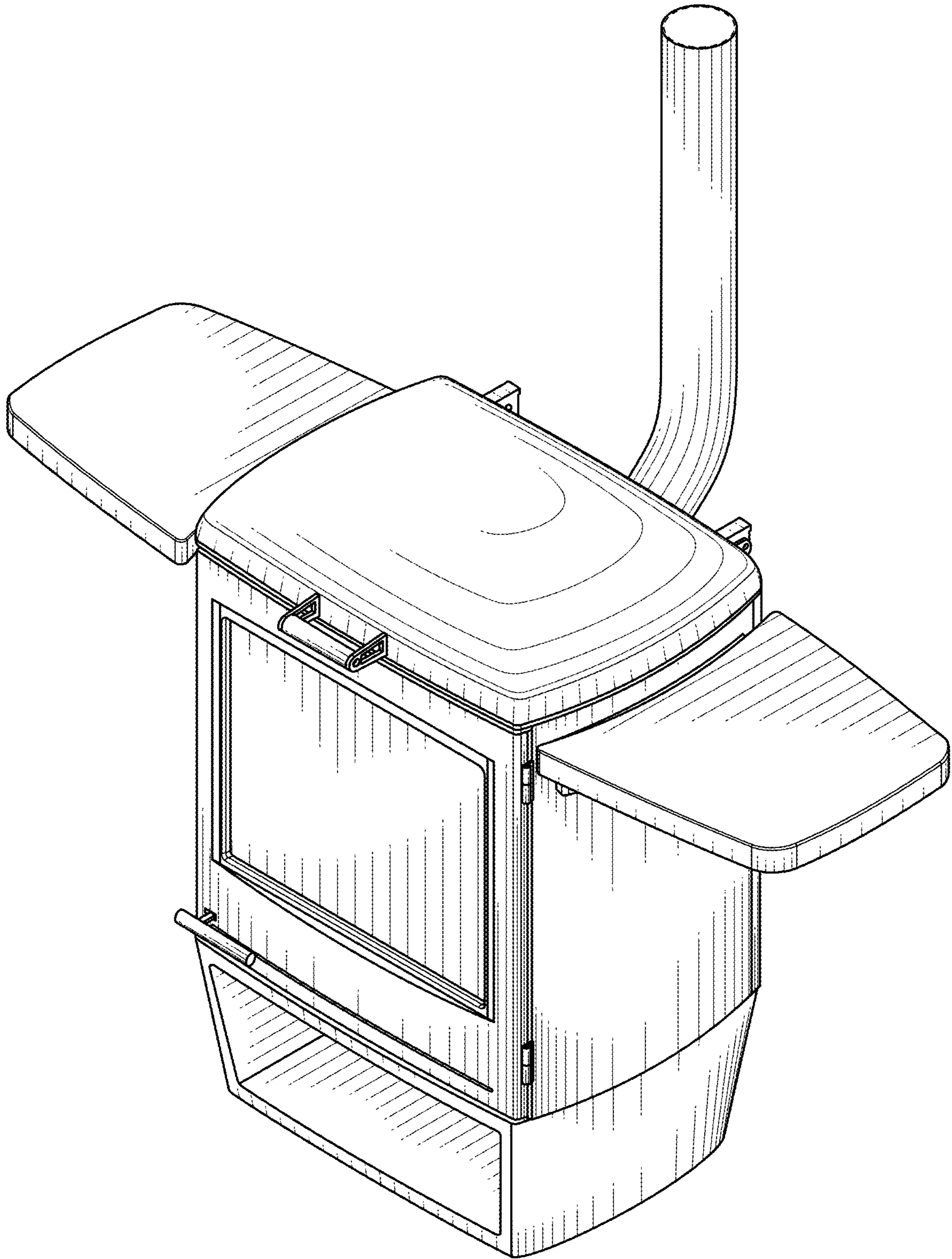


FIG. 1

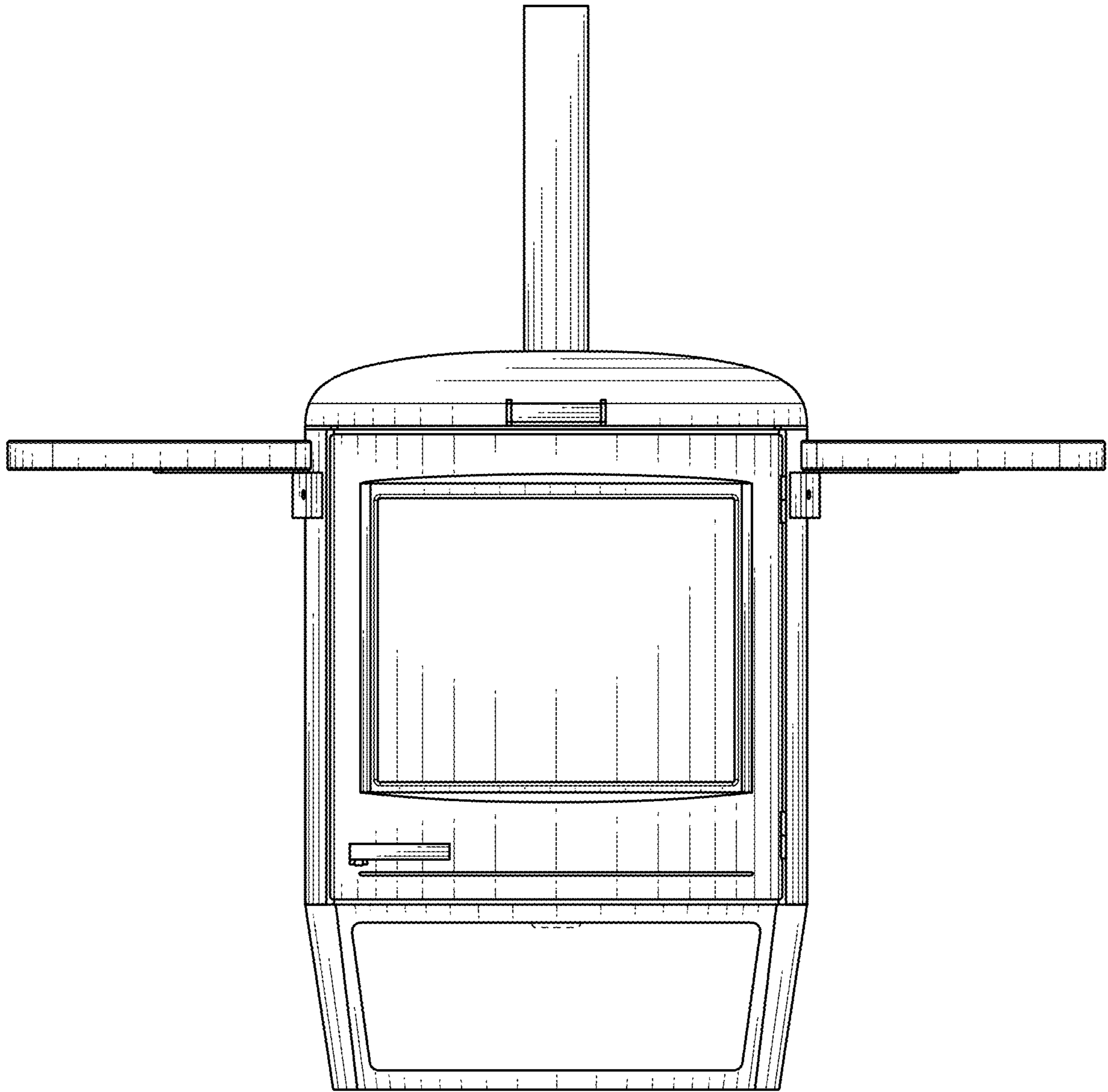


FIG. 2

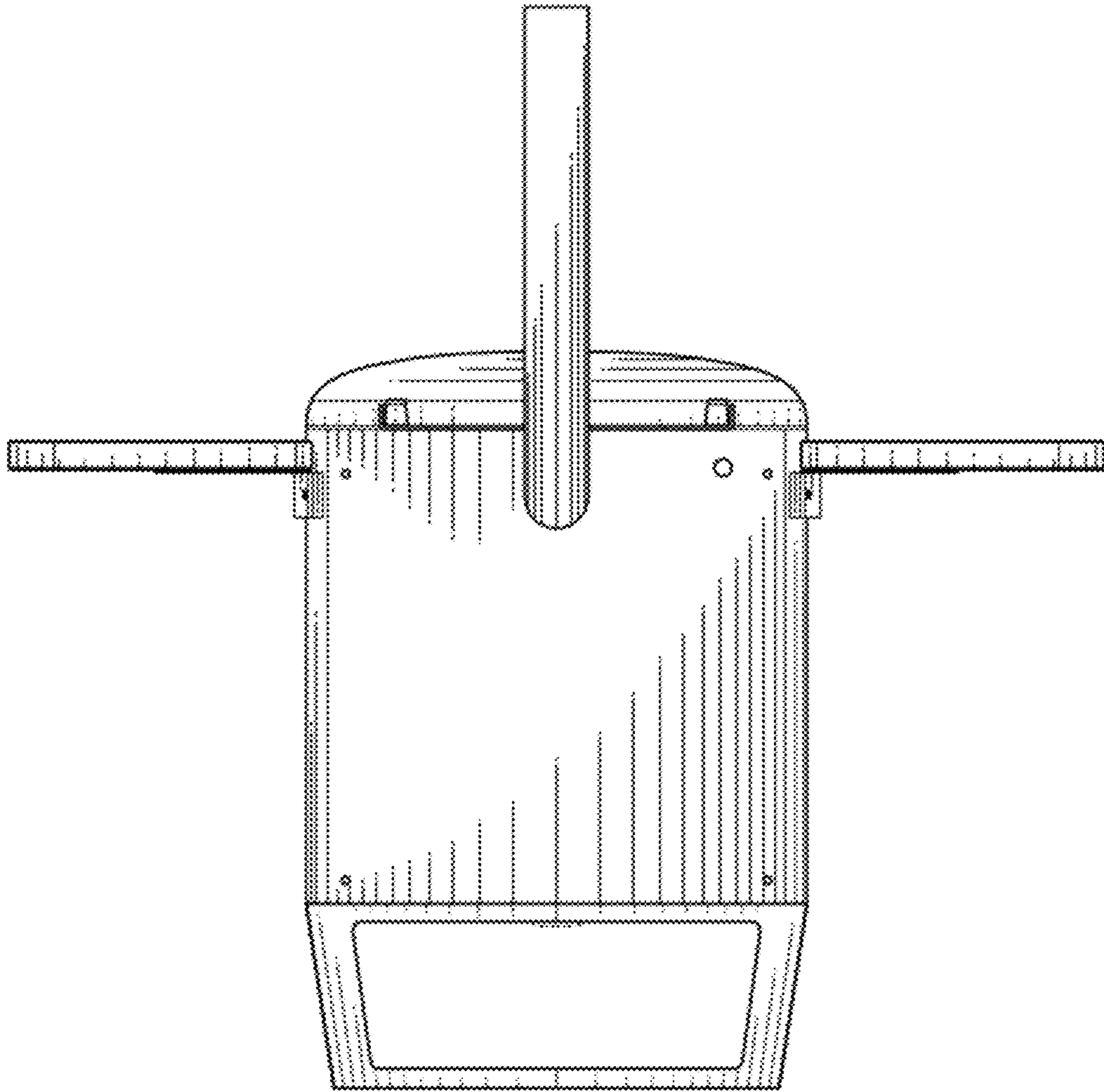


FIG. 3

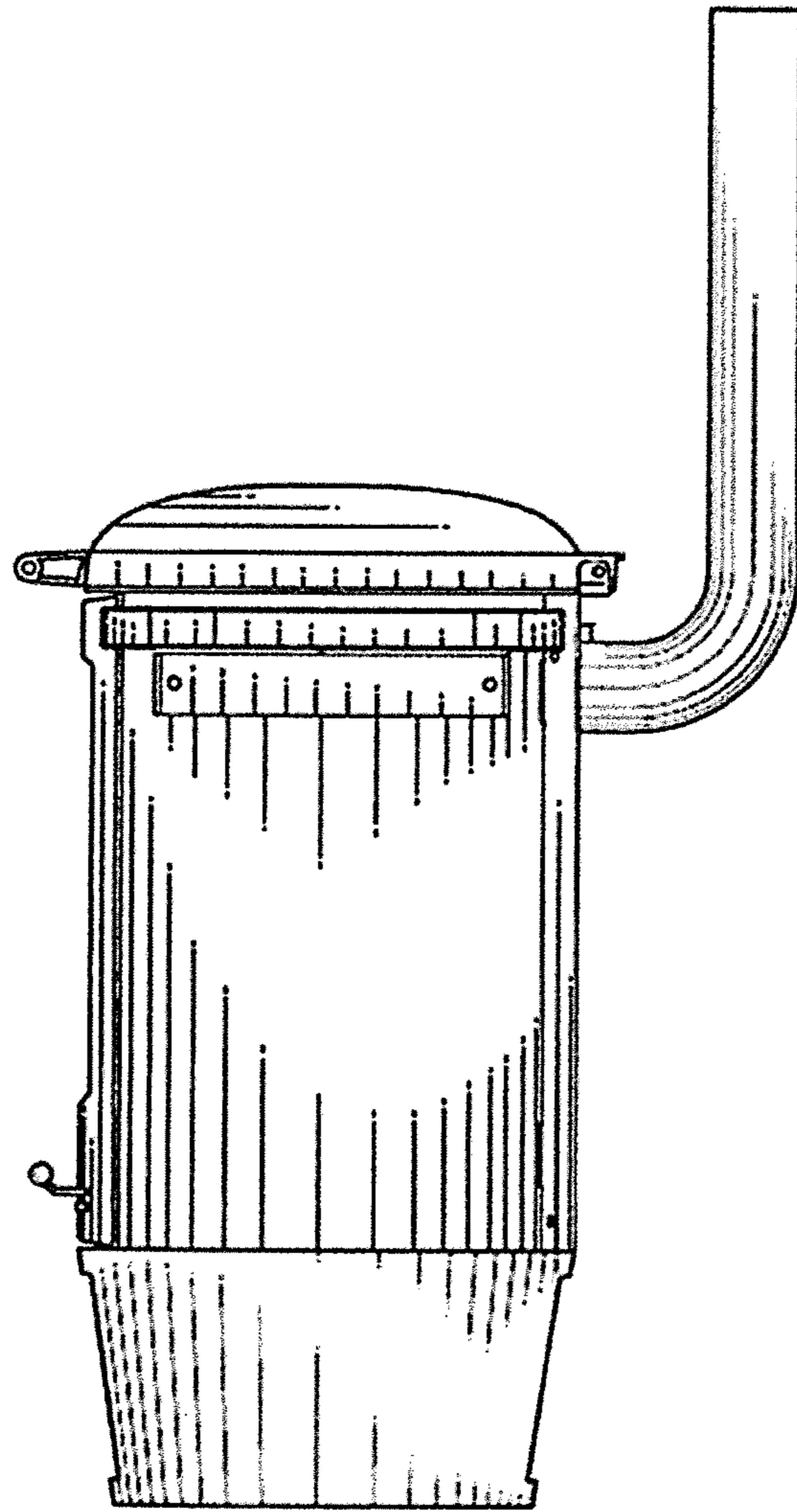


FIG. 4

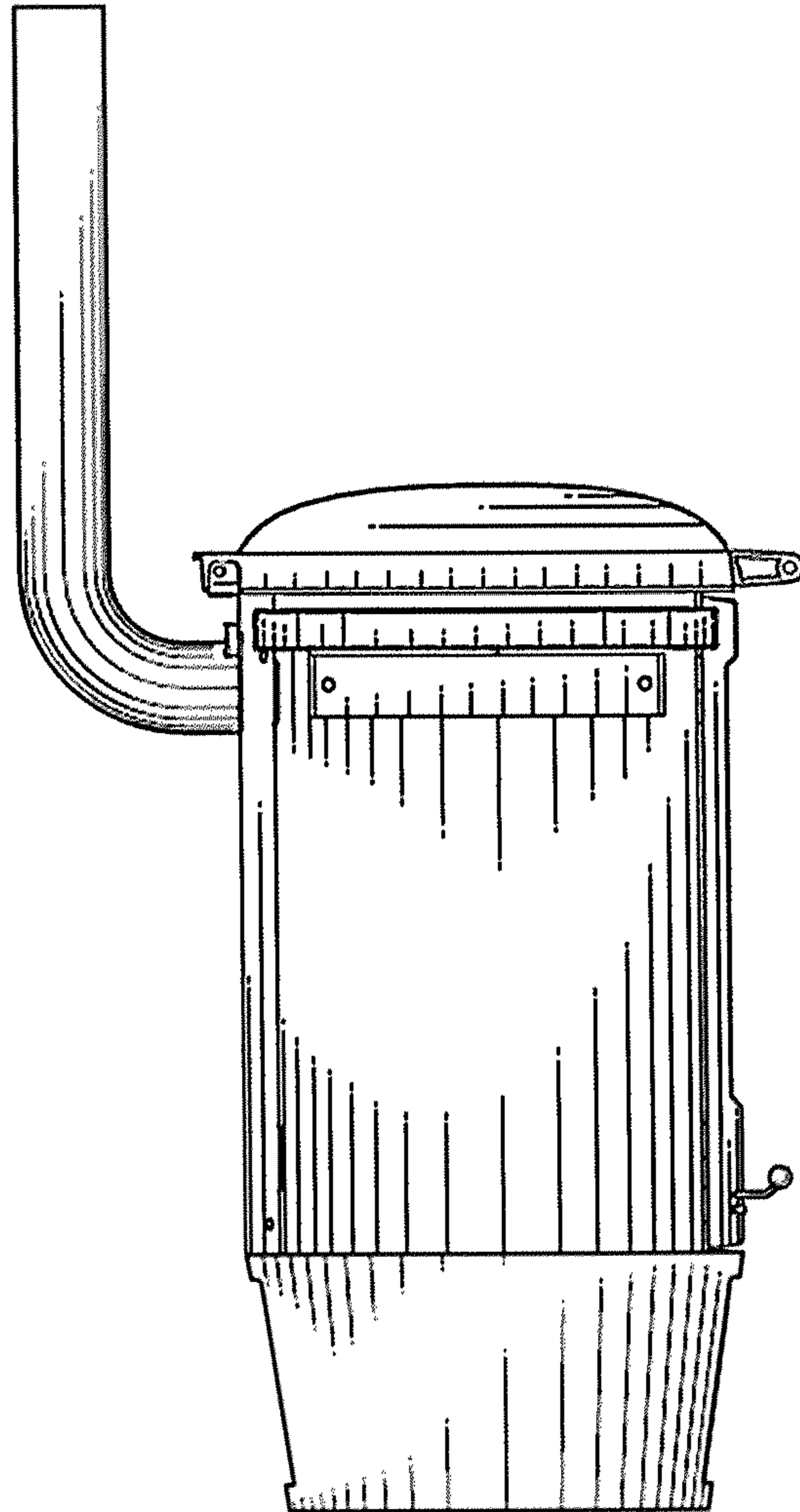


FIG. 5

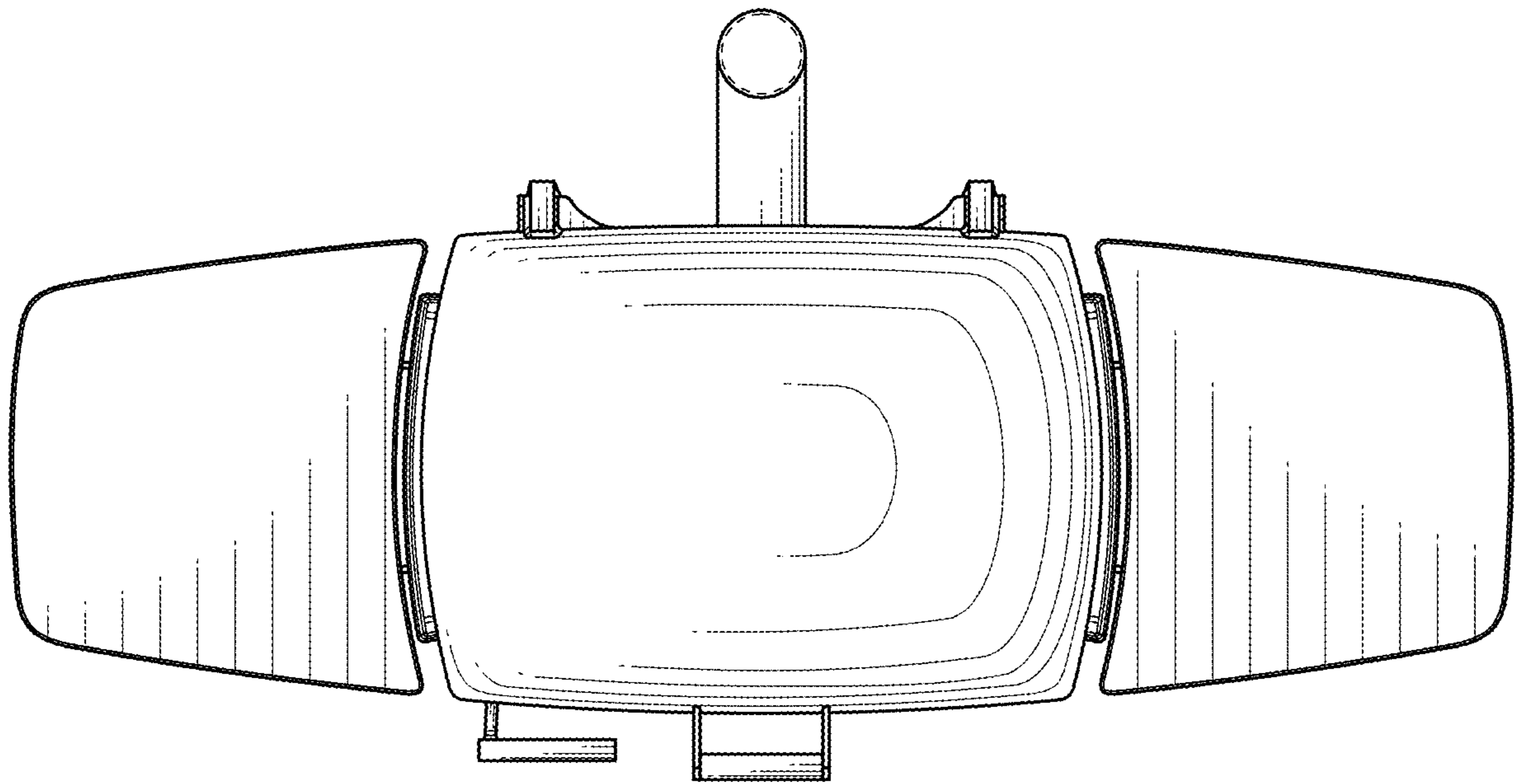


FIG. 6



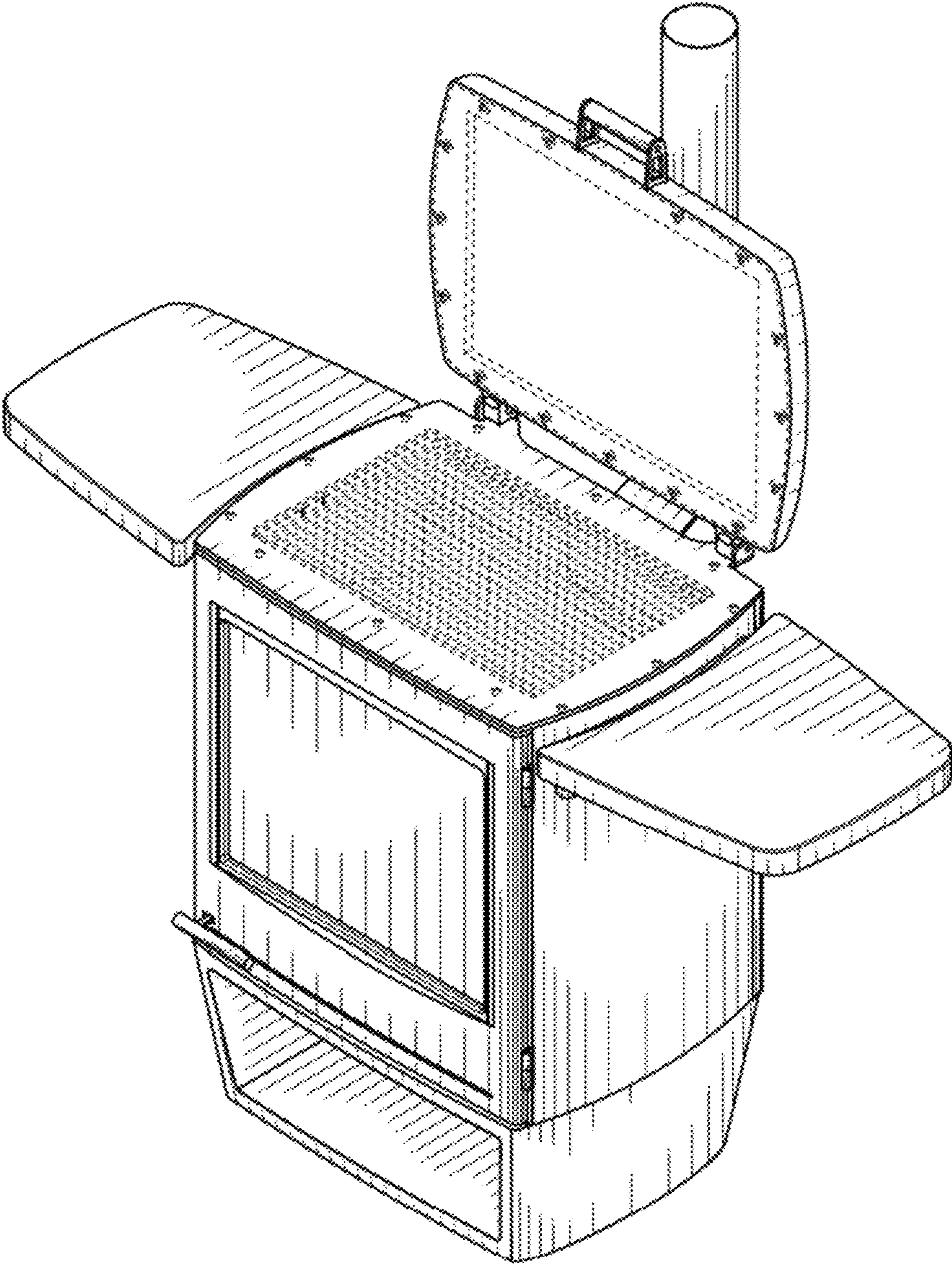


FIG. 7