



US00D976376S

(12) **United States Design Patent** (10) **Patent No.:** **US D976,376 S**  
**Jin** (45) **Date of Patent:** **\*\* Jan. 24, 2023**

(54) **BABIES' CHAIR**

(71) Applicant: **Yuzhao Jin**, Zhejiang (CN)

(72) Inventor: **Yuzhao Jin**, Zhejiang (CN)

(\*\*) Term: **15 Years**

(21) Appl. No.: **29/847,501**

(22) Filed: **Jul. 25, 2022**

(51) **LOC (14) Cl.** ..... **23-02**

(52) **U.S. Cl.**  
USPC ..... **D23/296**

(58) **Field of Classification Search**  
USPC ..... D23/296, 309, 311; D6/339, 350;  
D25/65

See application file for complete search history.

(56) **References Cited**

**U.S. PATENT DOCUMENTS**

D501,683	S	*	2/2005	Hernandez	.....	D6/350
D564,674	S	*	3/2008	Farber	.....	D25/65
D570,461	S	*	6/2008	Desnos-Simon	.....	D23/296
D618,321	S	*	6/2010	Yeung	.....	D23/296
D826,585	S		8/2018	Kuo		
10,478,024	B2	*	11/2019	Del Duke	.....	A47K 17/028
D879,926	S	*	3/2020	Hu	.....	D23/309
D904,584	S	*	12/2020	Stroikov	.....	D23/296
D956,437	S		7/2022	Lai		

**OTHER PUBLICATIONS**

Potty Training Seat with Ladder, Foldable Toddler Toilet Potty Training Seat with Upgraded Triangle Body Design Ladder, Adjustable Multi-Purpose Two-Step Stool for Girls/Boys, [https://www.amazon.com/dp/B0B8DZGF7D/ref=sspa\\_dk\\_detail\\_5?pd\\_rd\\_i=](https://www.amazon.com/dp/B0B8DZGF7D/ref=sspa_dk_detail_5?pd_rd_i=)

B0B8DZGF7D&pd\_rd\_w=TGEwz&content-id=amzn1.sym.46bad5f6-1f0a-4167-9a8b-c8a82fa48a54&pf\_rd\_p=46bad5f6-1f0a-4167-9a8b-c8a82fa48a54&pf\_rd\_r=VRS66SX3YNP3XCT6DJ1H&pd\_rd\_wg=44iHJ&pd\_rd\_r=2fd16c2f-f125-4a7f-981a-c8e7174a66aa&s=hi&sp\_csd=d (Year: 2021).\*  
Potty Training Seat Ladder Girls, Toddlers Toilet Training Potty Seat, Kids Potty Training Toilet Seat with Ladder, [https://www.amazon.com/dp/B082HF2L5C/ref=sspa\\_dk\\_detail\\_0?ie=UTF8&s=baby-products&sp\\_csd=d2lkZ2V0TmFtZT1zcF9kZXRhWxZlZGhlfWF0aWM&th=1](https://www.amazon.com/dp/B082HF2L5C/ref=sspa_dk_detail_0?ie=UTF8&s=baby-products&sp_csd=d2lkZ2V0TmFtZT1zcF9kZXRhWxZlZGhlfWF0aWM&th=1) (Year: 2020).\*

\* cited by examiner

*Primary Examiner* — Robert A Delehanty  
(74) *Attorney, Agent, or Firm* — ScienBiziP, P.C.

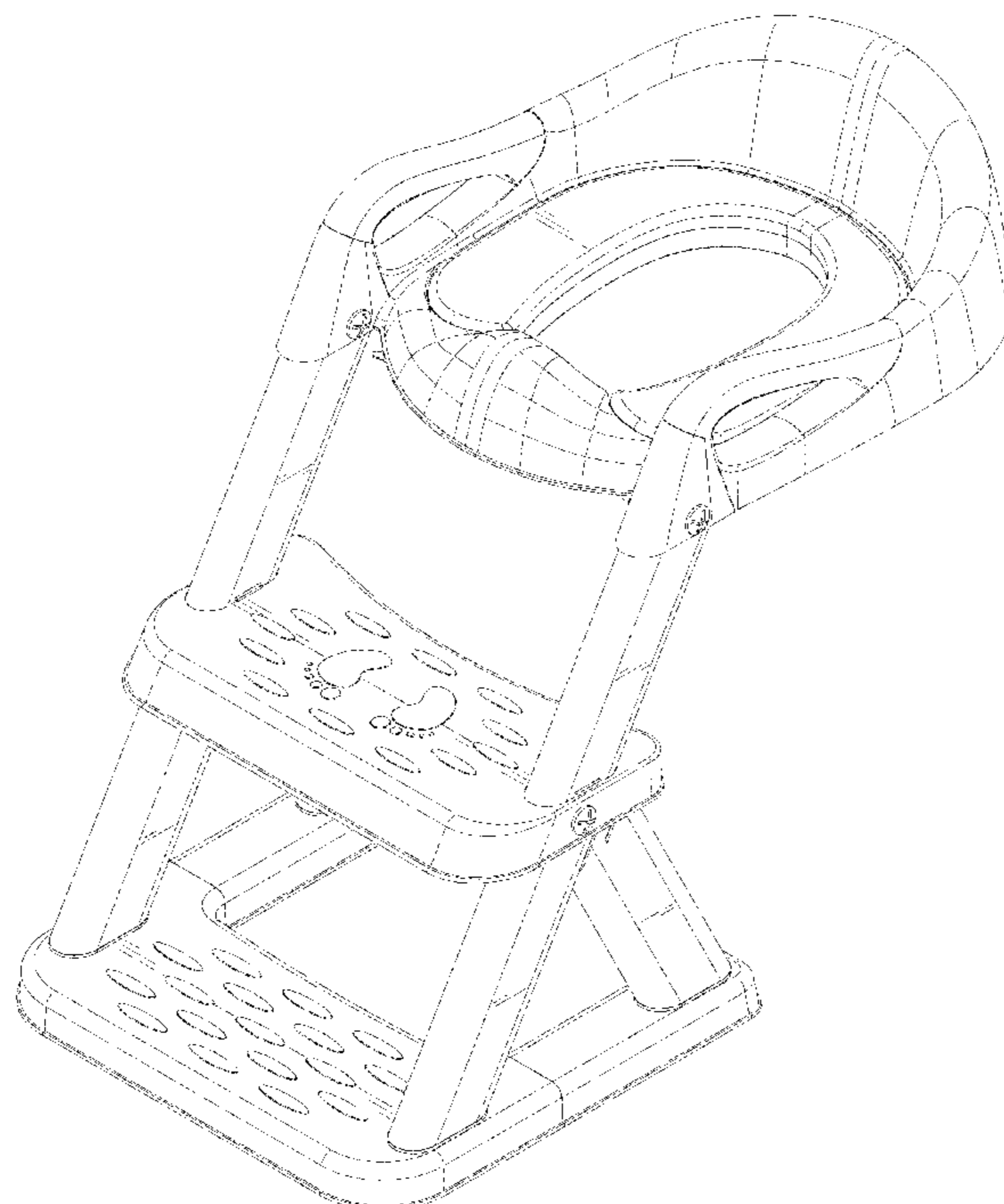
(57) **CLAIM**

The ornamental design for a babies' chair, as shown and described.

**DESCRIPTION**

FIG. 1 is a front, right and top perspective view of a babies' chair, showing my design.  
FIG. 2 is a rear, right and bottom perspective view thereof.  
FIG. 3 is a front elevation view thereof.  
FIG. 4 is a rear elevation view thereof.  
FIG. 5 is a left side elevation view thereof.  
FIG. 6 is a right side elevation view thereof.  
FIG. 7 is a top plan view thereof; and,  
FIG. 8 is a bottom plan view thereof.  
The broken lines shown in the drawings are included for the purpose of illustrating portions of the babies' chair that form no part of the claimed design.

**1 Claim, 8 Drawing Sheets**



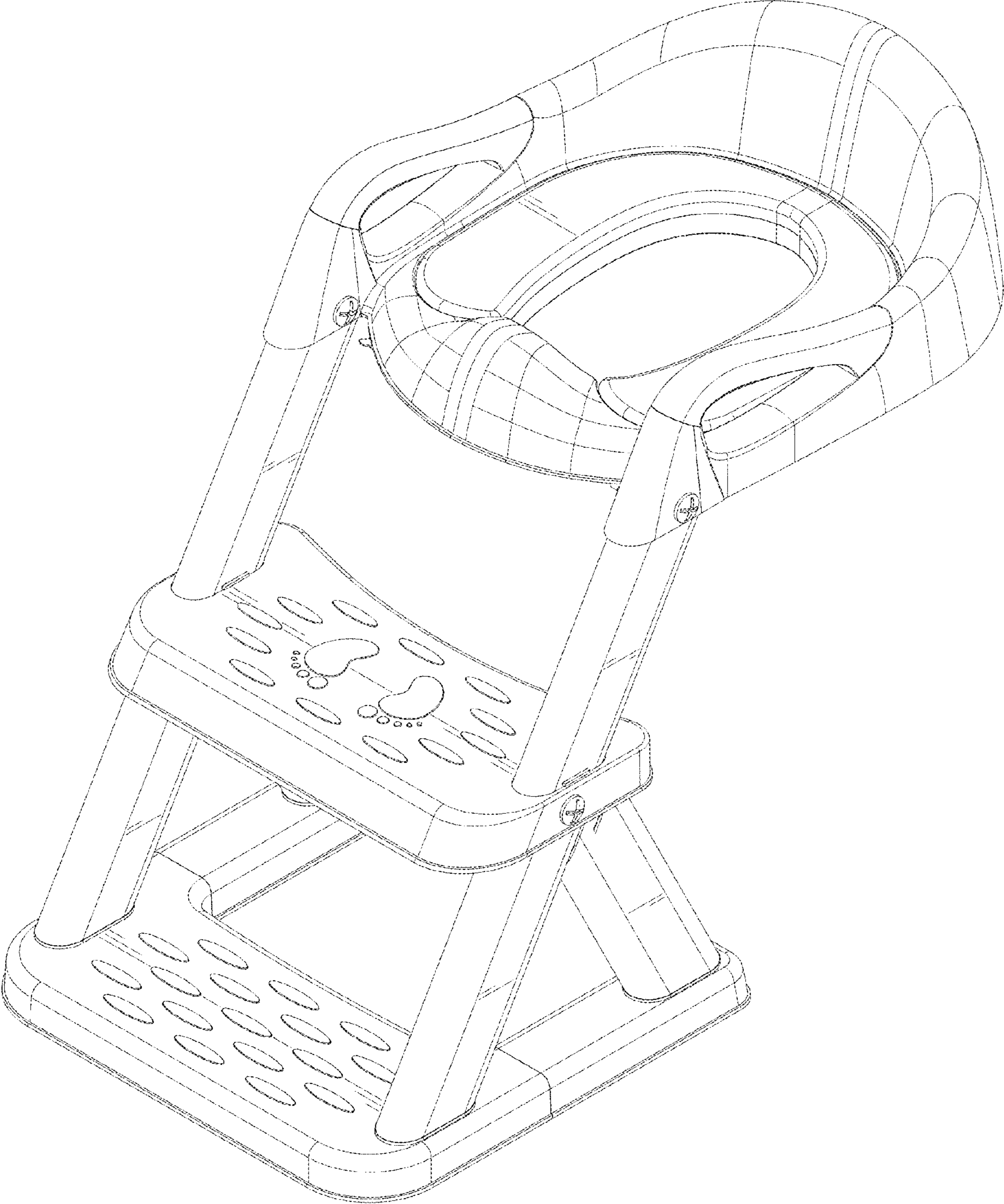


FIG.1



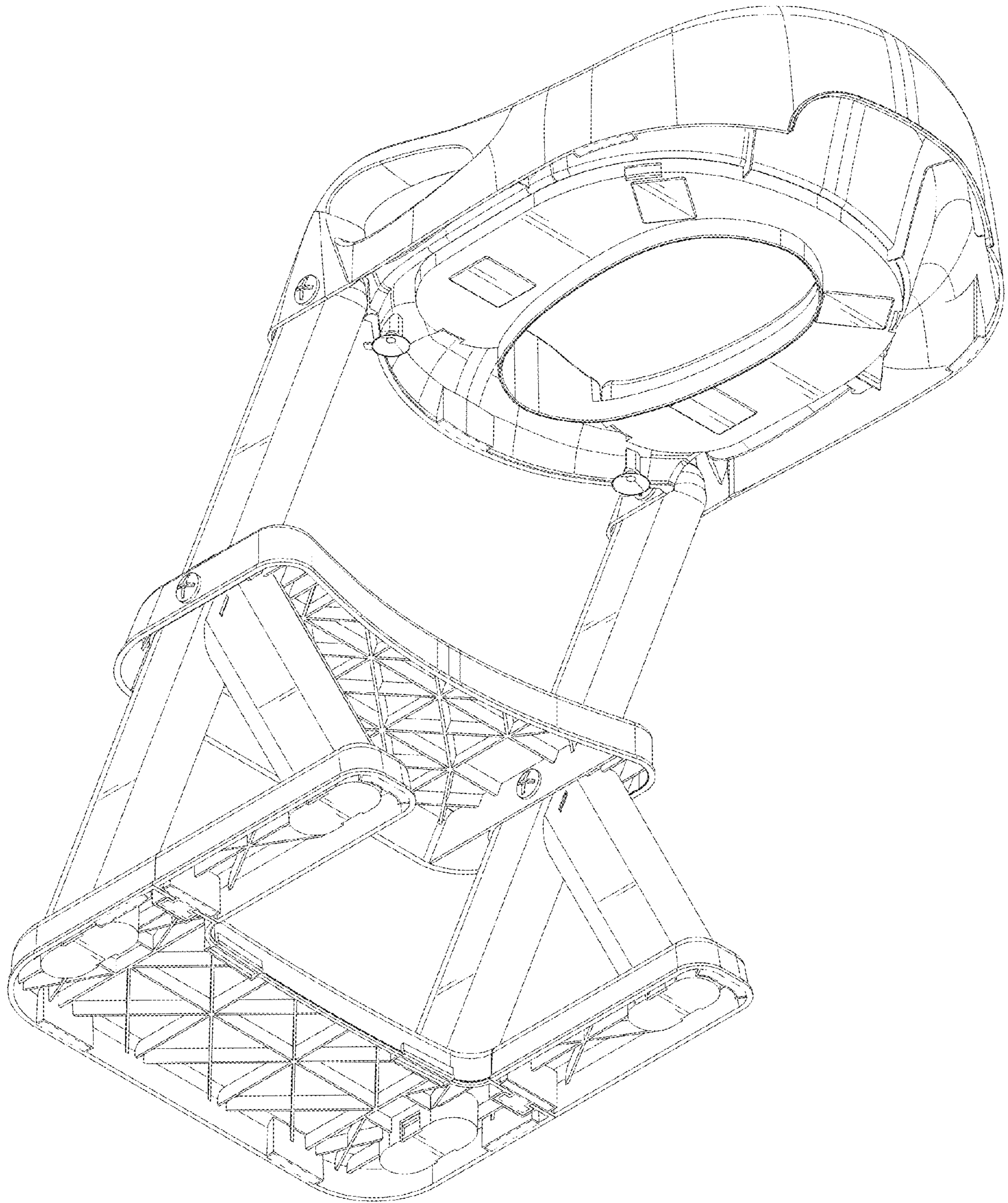


FIG.2

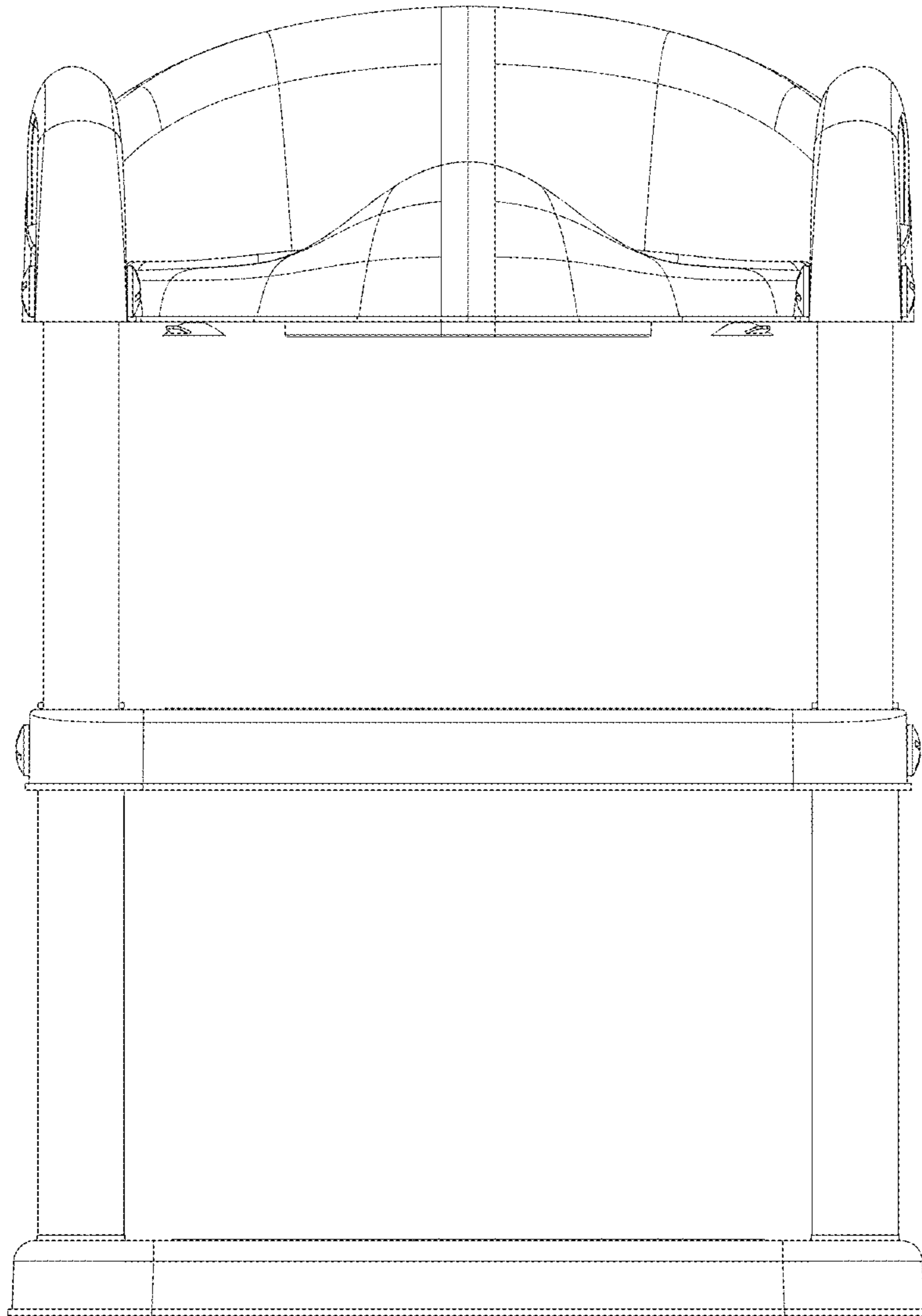


FIG.3

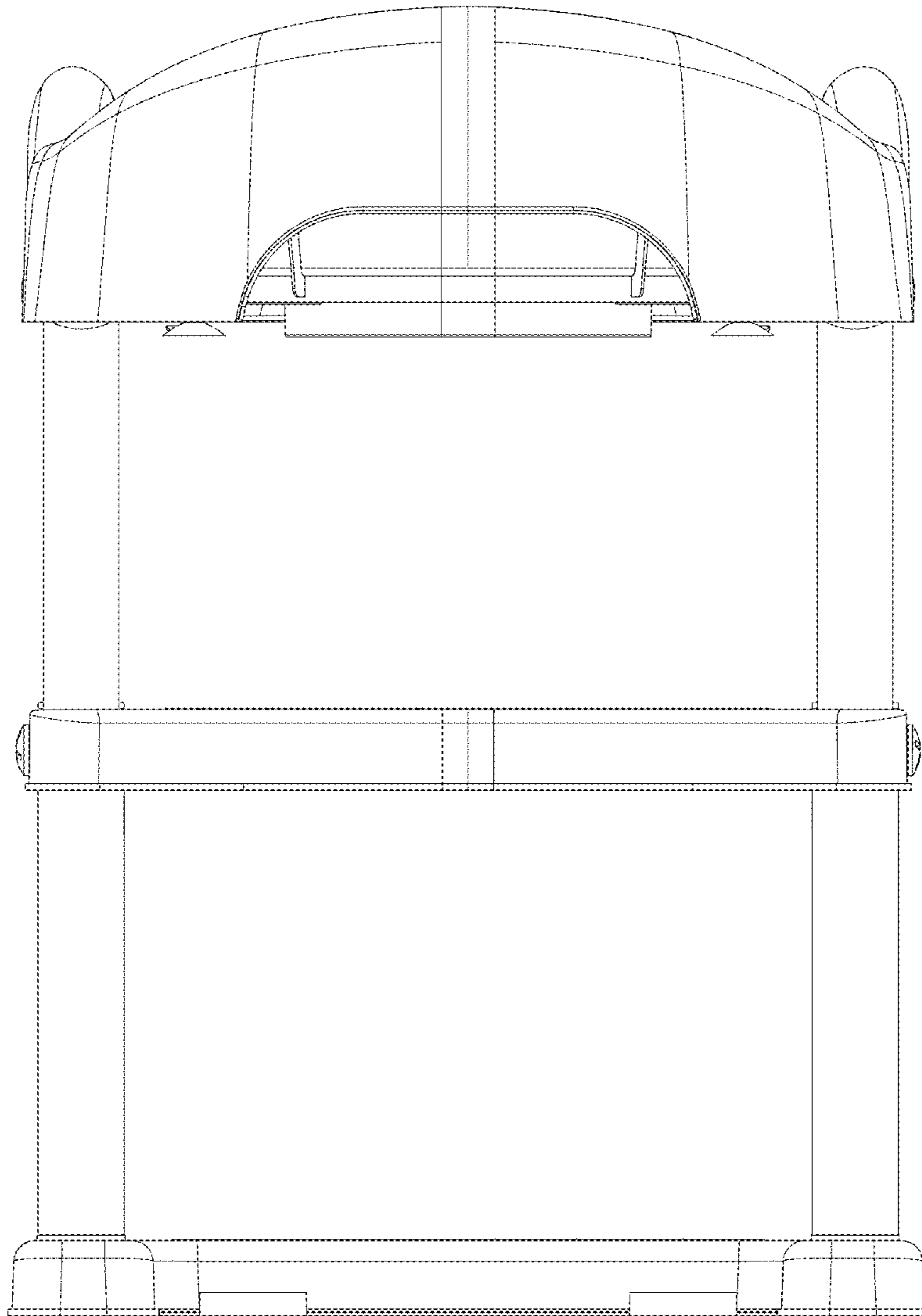


FIG. 4

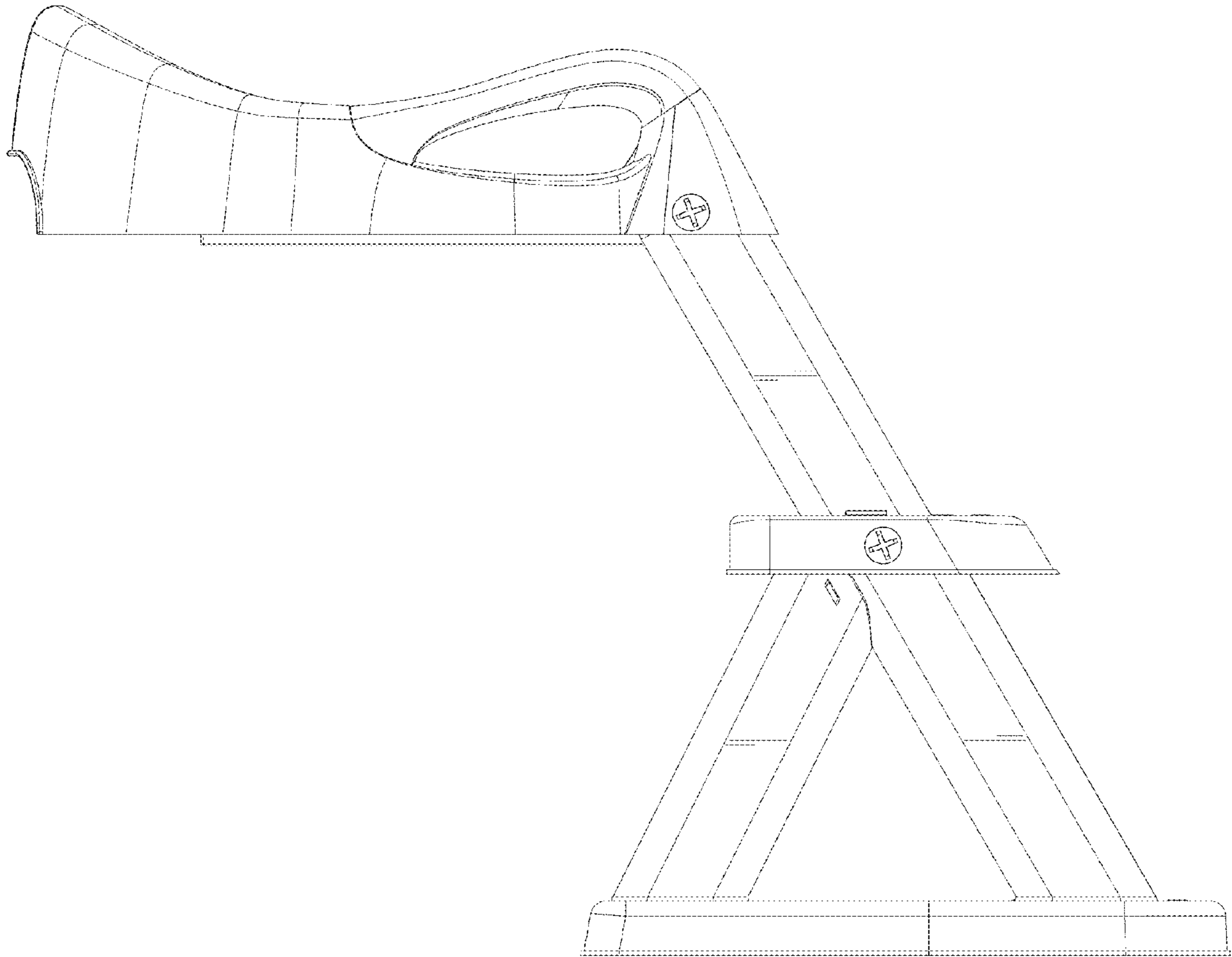


FIG. 5

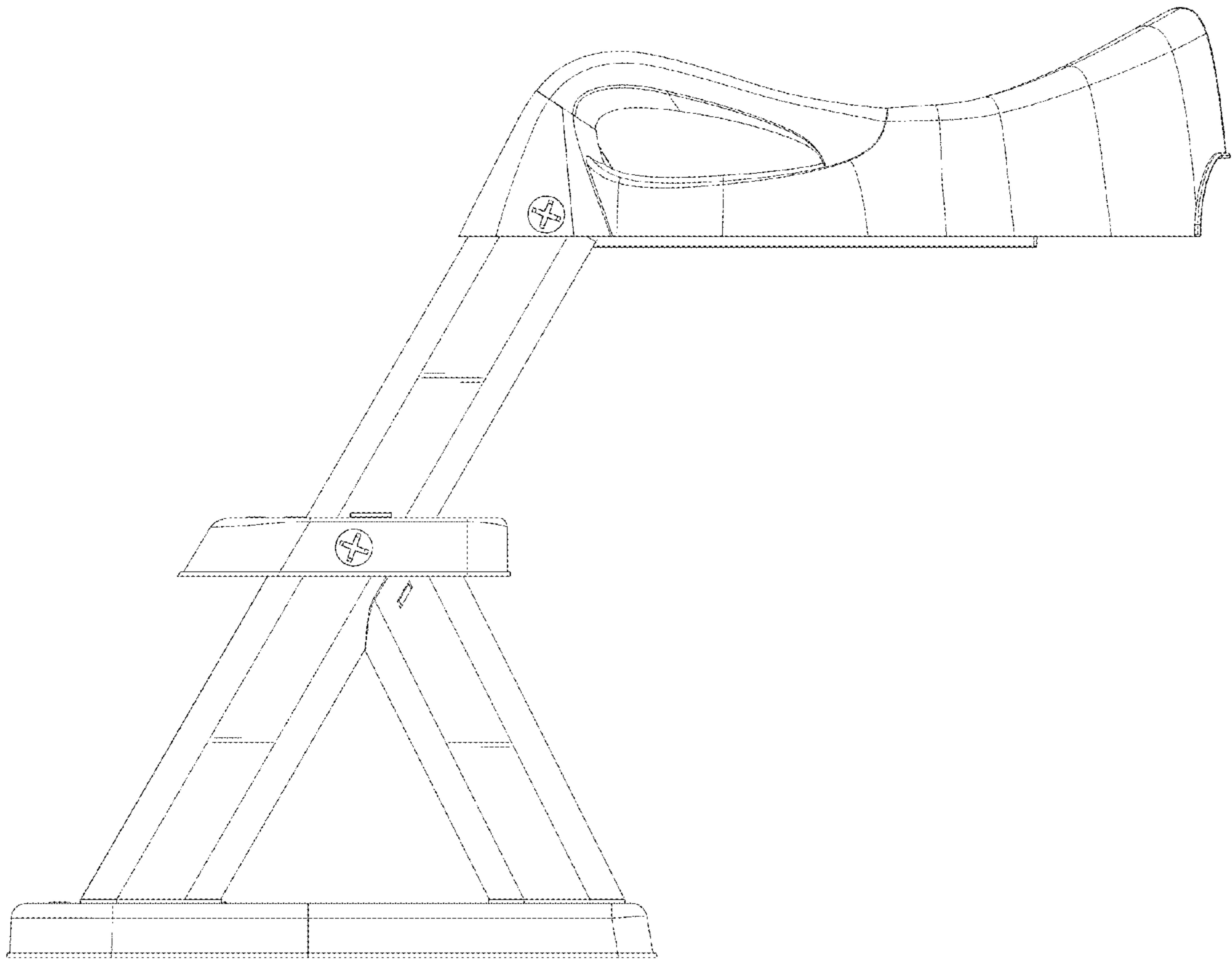


FIG.6



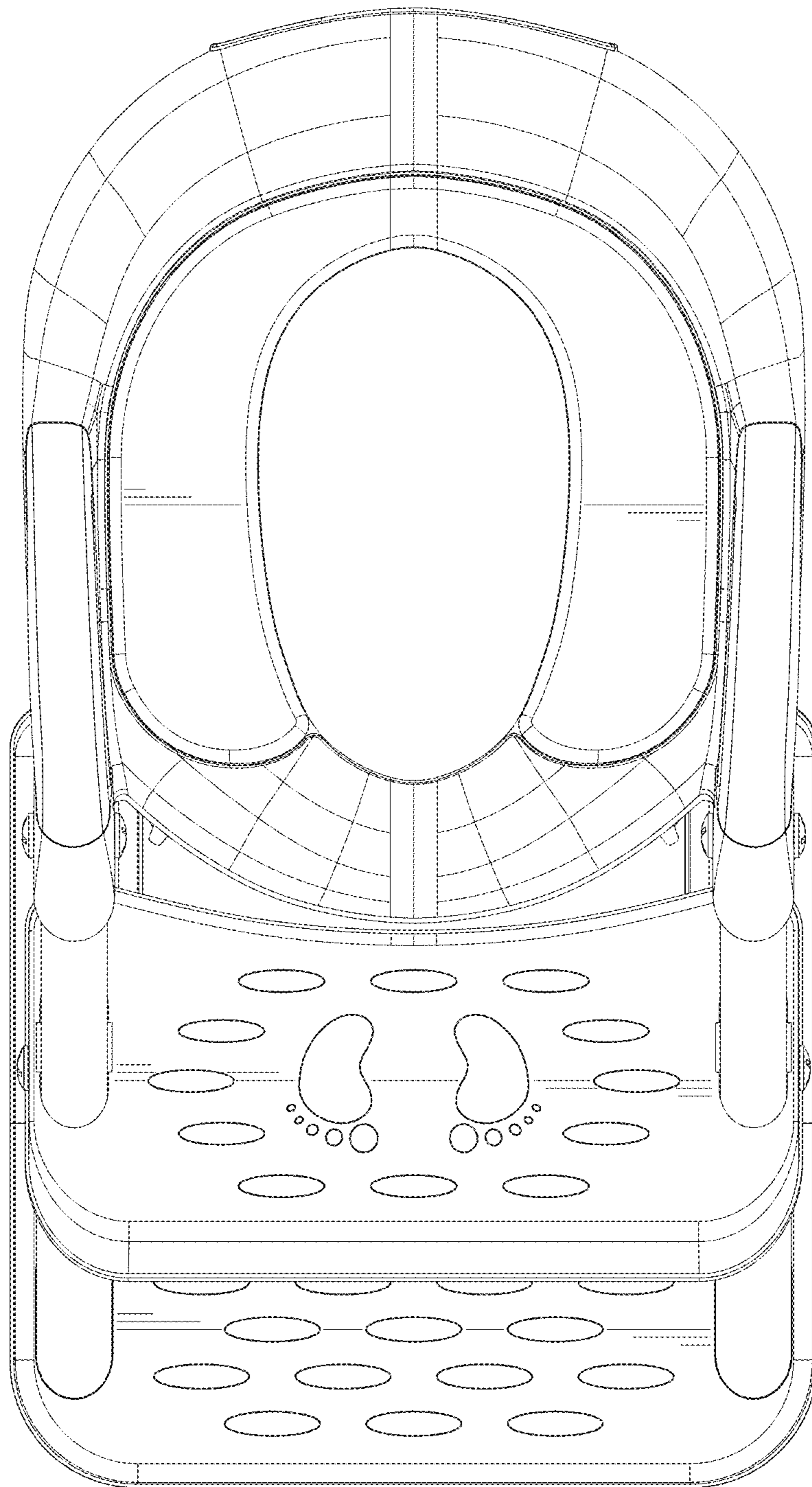


FIG. 7



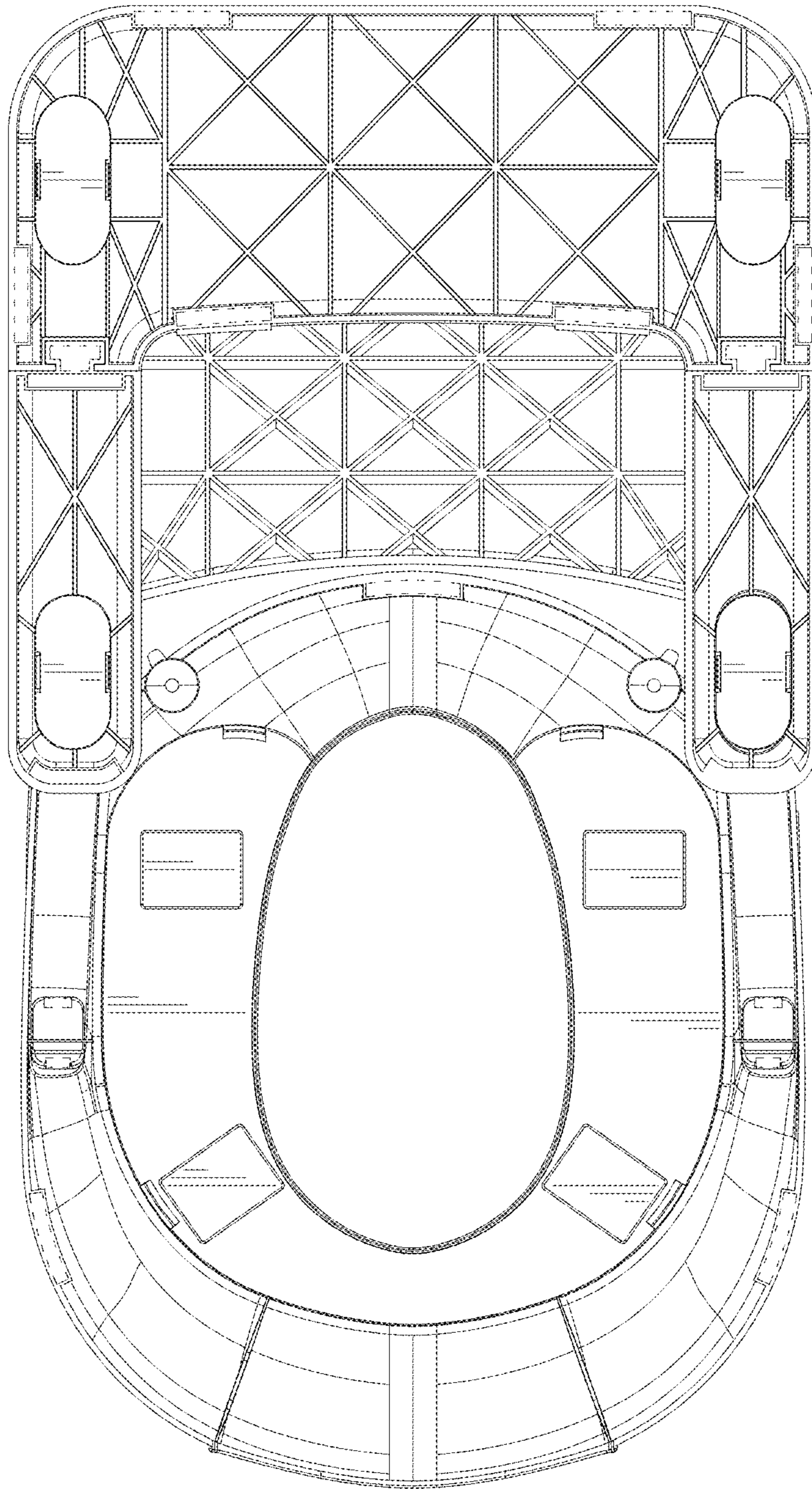


FIG. 8