



US00D976375S

(12) **United States Design Patent**  
**Jin**

(10) **Patent No.:** **US D976,375 S**  
(45) **Date of Patent:** **\*\* Jan. 24, 2023**

(54) **BABIES' CHAIR**

(71) Applicant: **Yuzhao Jin**, Zhejiang (CN)

(72) Inventor: **Yuzhao Jin**, Zhejiang (CN)

(\*\*) Term: **15 Years**

(21) Appl. No.: **29/847,403**

(22) Filed: **Jul. 25, 2022**

(51) **LOC (14) Cl.** ..... **23-02**

(52) **U.S. Cl.**  
USPC ..... **D23/296**

(58) **Field of Classification Search**  
USPC ..... D23/296, 309, 311; D6/339, 350;  
D25/65

See application file for complete search history.

(56) **References Cited**

**U.S. PATENT DOCUMENTS**

D501,683	S	*	2/2005	Hernandez	.....	D6/350
D564,674	S	*	3/2008	Farber	.....	D25/65
D570,461	S	*	6/2008	Desnos-Simon	.....	D23/296
D618,321	S	*	6/2010	Yeung	.....	D23/296
D826,585	S		8/2018	Kuo		
10,478,024	B2	*	11/2019	Del Duke	.....	A47K 13/02
D879,926	S	*	3/2020	Hu	.....	D23/309
D904,584	S	*	12/2020	Stroikov	.....	D23/296
D956,437	S		7/2022	Lai		

**OTHER PUBLICATIONS**

MTWML Potty Chair, Potty Training Seat with Ladder, Potty Climbing Chair Toddler Potty Toilet Seat with Step Stool and Splash Guard Soft Non-Slip Pu Cushion for Kids Boys Girls Potty Trainer

[https://www.amazon.com/dp/B09FDX7ZXJ/ref=sspa\\_dk\\_detail\\_9?ie=UTF8&psc=1&pd\\_rd\\_i=&pd\\_rd\\_i=B09FDX7ZXJp13NParams&s=baby-products&sp\\_csd=d2lkZ2V0TmFtZT1zcF9kZXRhaWxfdGhlfWF0aWM\(Year: 2021\).\\*](https://www.amazon.com/dp/B09FDX7ZXJ/ref=sspa_dk_detail_9?ie=UTF8&psc=1&pd_rd_i=&pd_rd_i=B09FDX7ZXJp13NParams&s=baby-products&sp_csd=d2lkZ2V0TmFtZT1zcF9kZXRhaWxfdGhlfWF0aWM(Year: 2021).*)  
Potty Training Seat Ladder Girls, Toddlers Toilet Training Potty Seat, Kids Potty Training Toilet Seat with Ladder, [https://www.amazon.com/dp/B082HF2L5C/ref=sspa\\_dk\\_detail\\_0?ie=UTF8&s=baby-products&sp\\_csd=d2lkZ2V0TmFtZT1zcF9kZXRhaWxfdGhlfWF0aWM&th=1\(Year: 2020\).\\*](https://www.amazon.com/dp/B082HF2L5C/ref=sspa_dk_detail_0?ie=UTF8&s=baby-products&sp_csd=d2lkZ2V0TmFtZT1zcF9kZXRhaWxfdGhlfWF0aWM&th=1(Year: 2020).*)

\* cited by examiner

*Primary Examiner* — Robert A Delehanty  
(74) *Attorney, Agent, or Firm* — ScienBiziP, P.C.

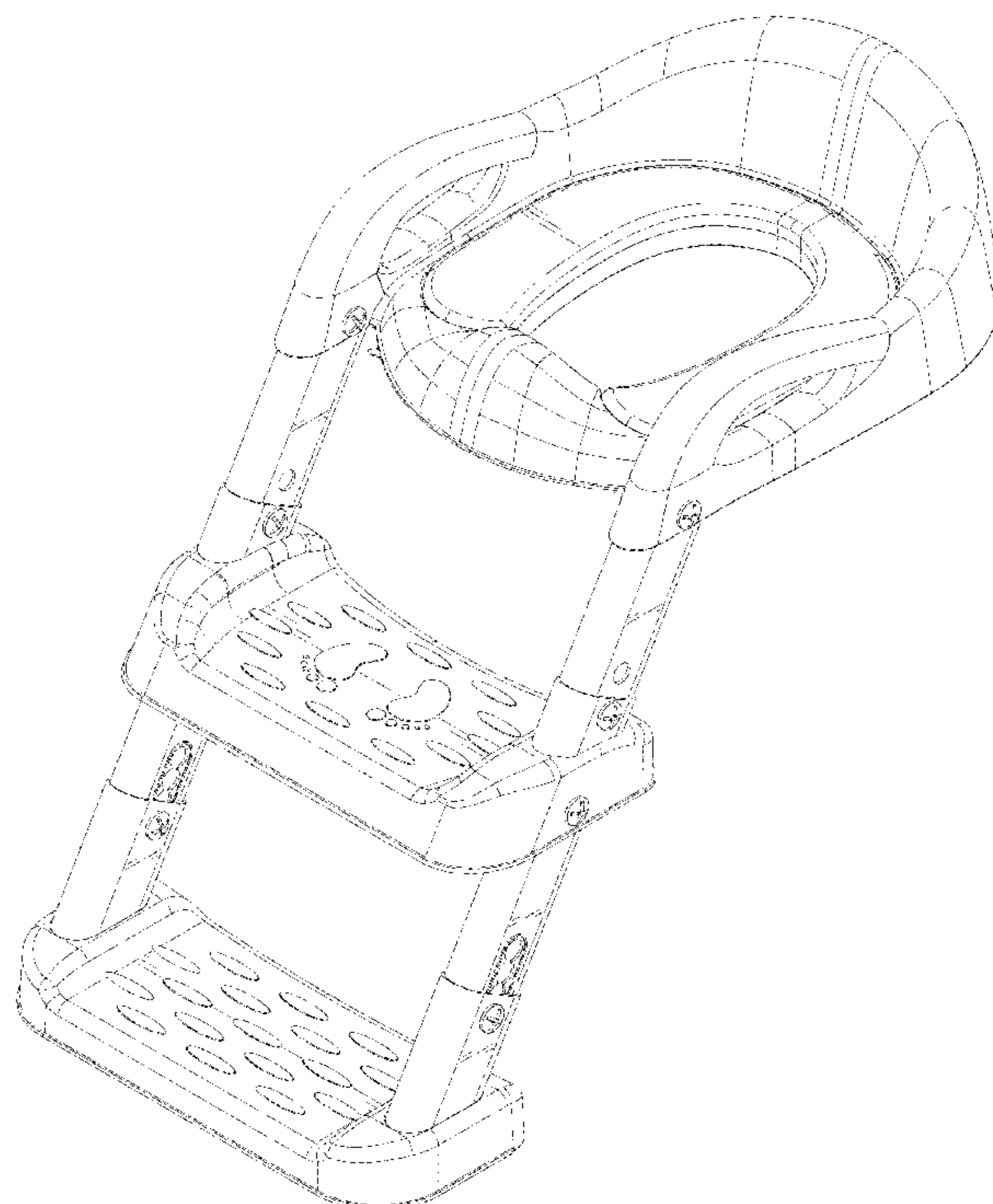
(57) **CLAIM**

The ornamental design for a babies' chair, as shown and described.

**DESCRIPTION**

FIG. 1 is a front, right and top perspective view of a babies' chair, showing my design.  
FIG. 2 is a rear, right and bottom perspective view thereof.  
FIG. 3 is a front elevation view thereof.  
FIG. 4 is a rear elevation view thereof.  
FIG. 5 is a left side elevation view thereof.  
FIG. 6 is a right side elevation view thereof.  
FIG. 7 is a top plan view thereof; and,  
FIG. 8 is a bottom plan view thereof.  
The broken lines shown in the drawings are included for the purpose of illustrating portions of the babies' chair that form no part of the claimed design.

**1 Claim, 8 Drawing Sheets**



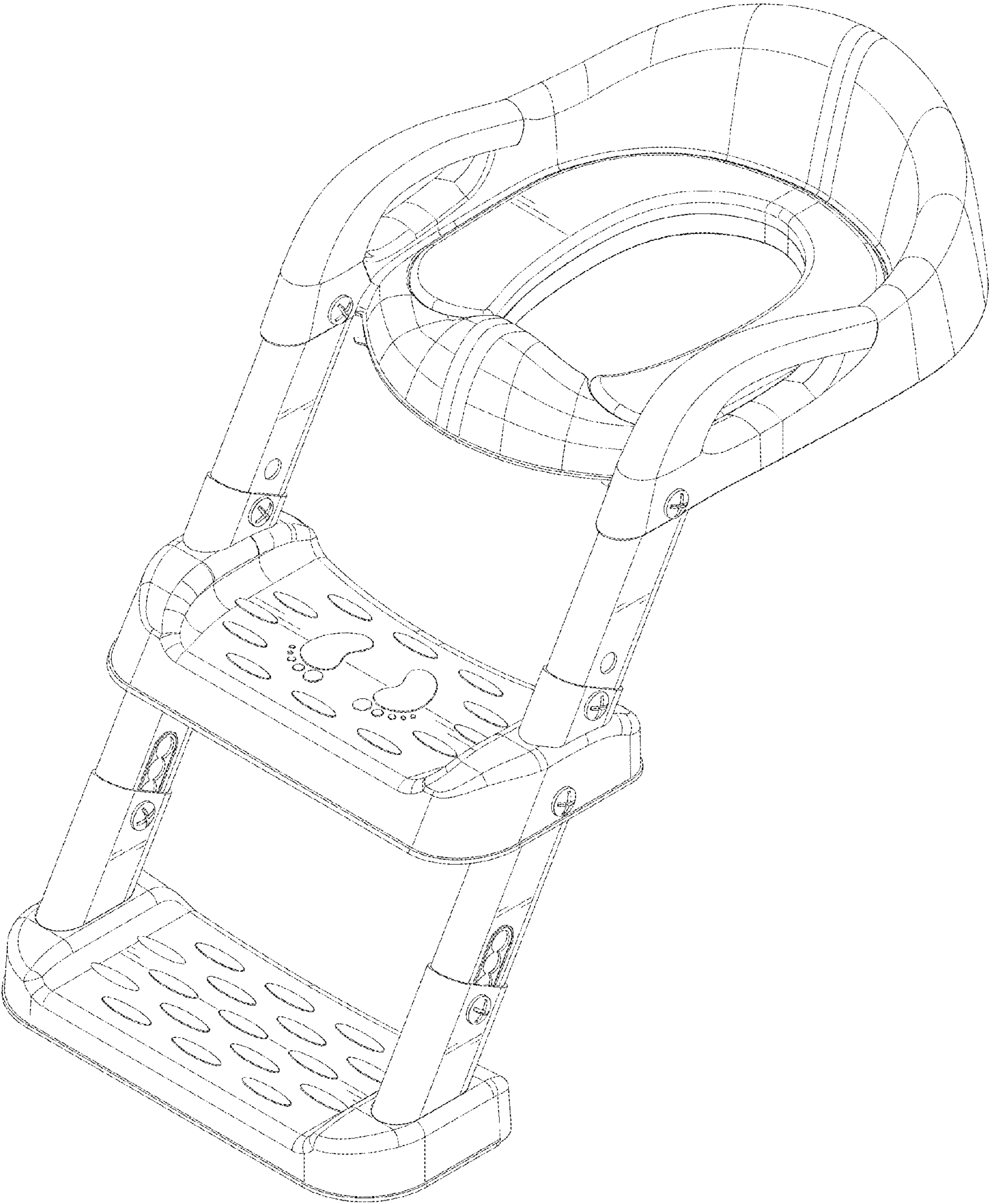


FIG.1



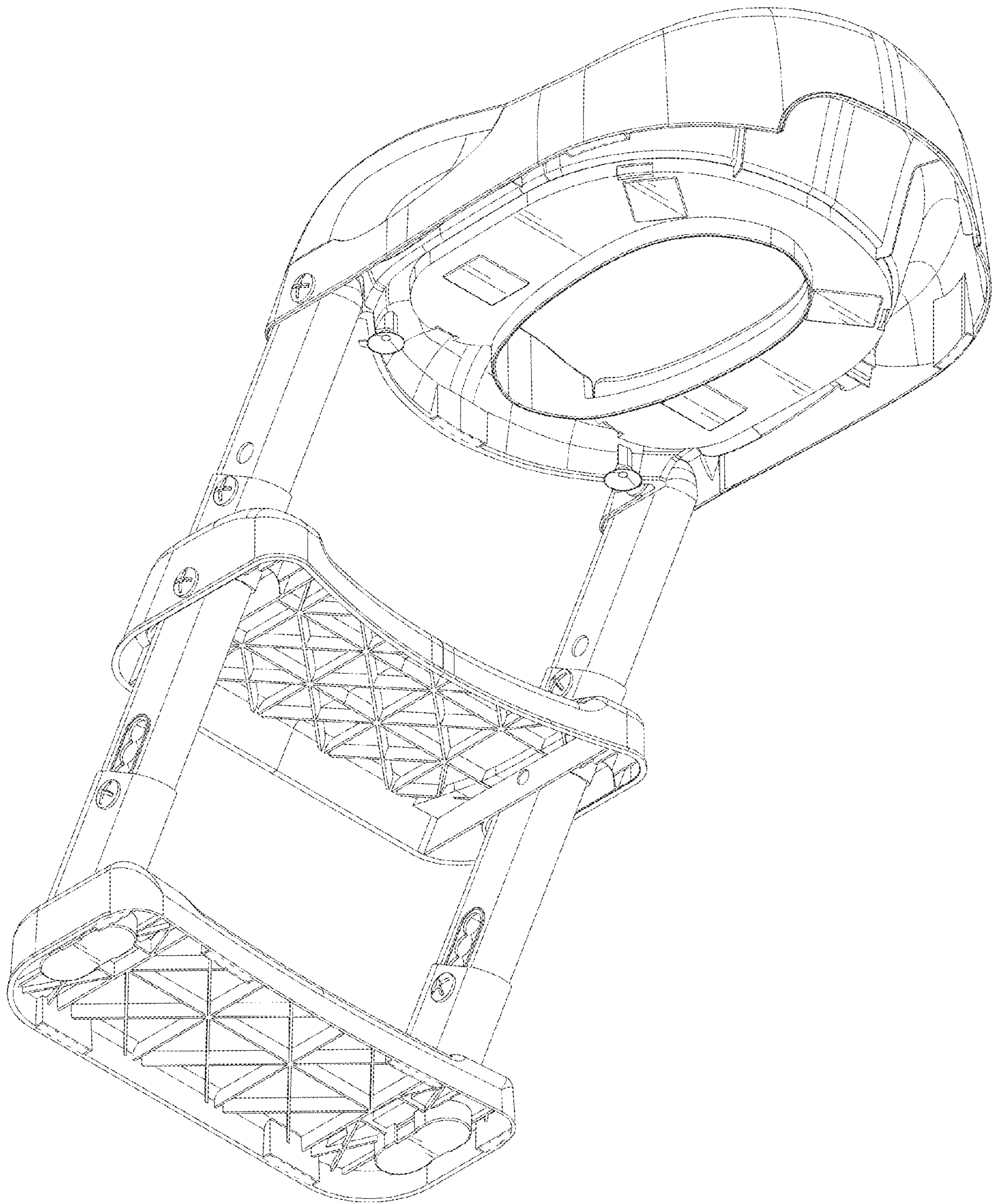


FIG. 2

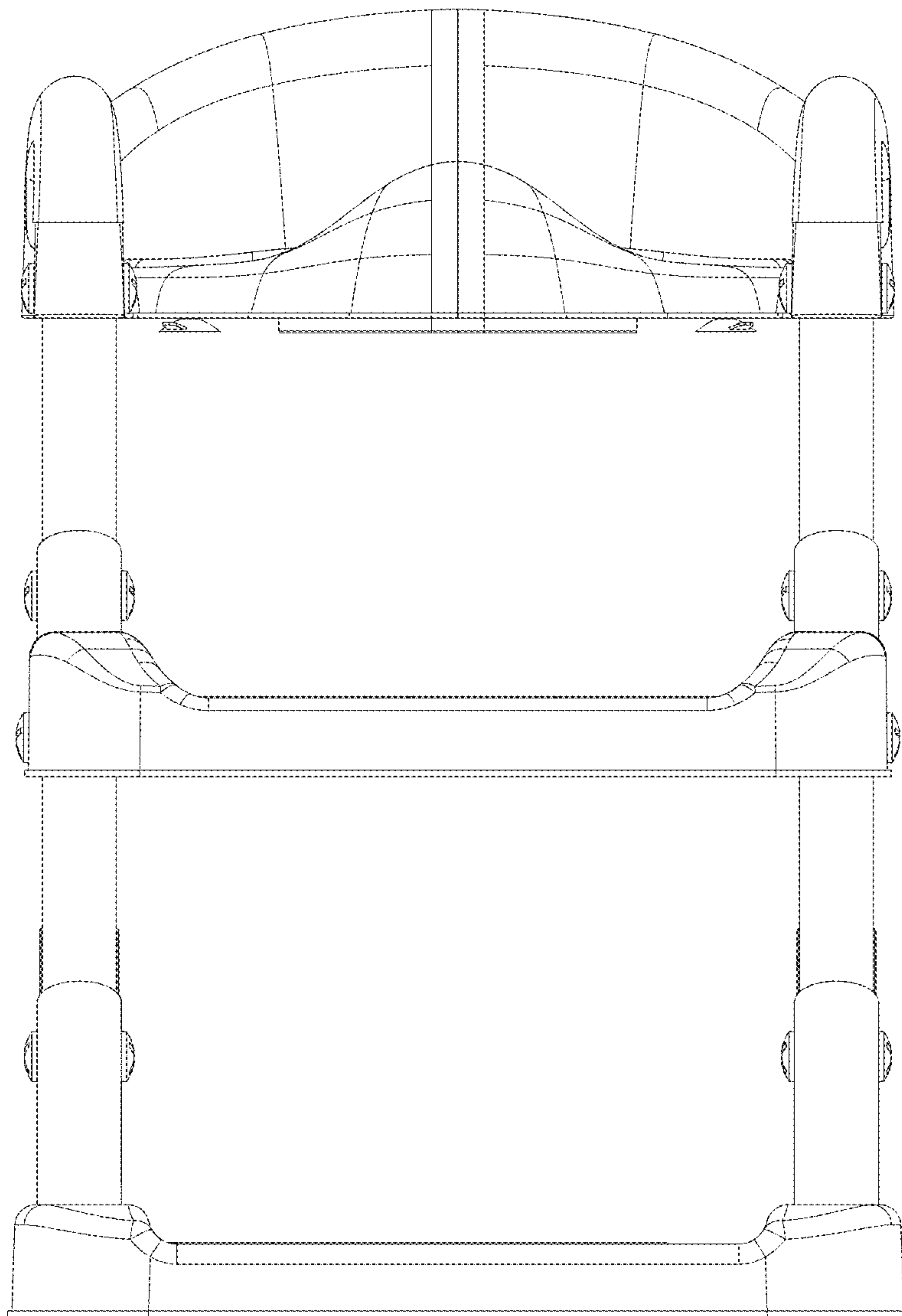


FIG.3

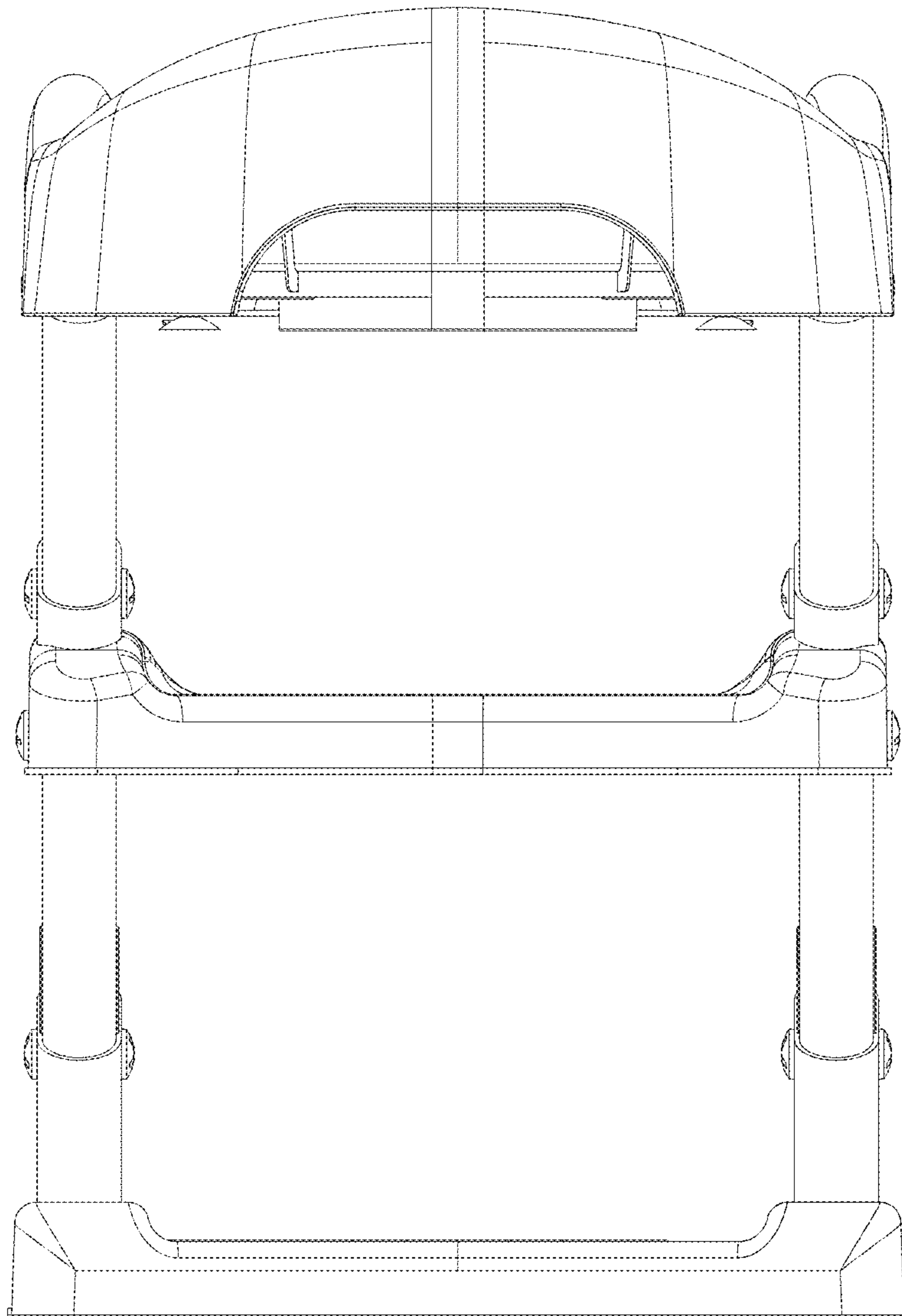


FIG.4

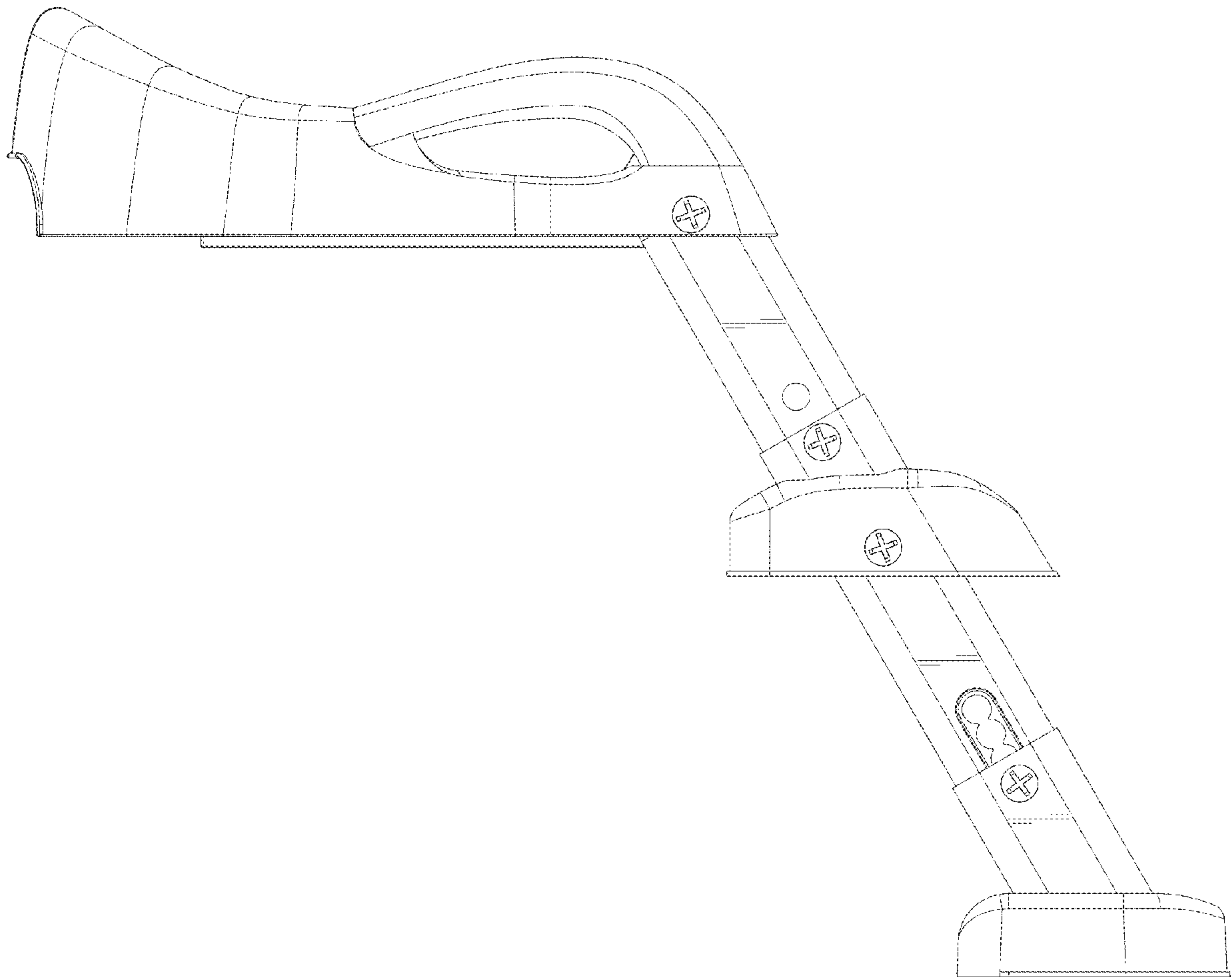


FIG. 5

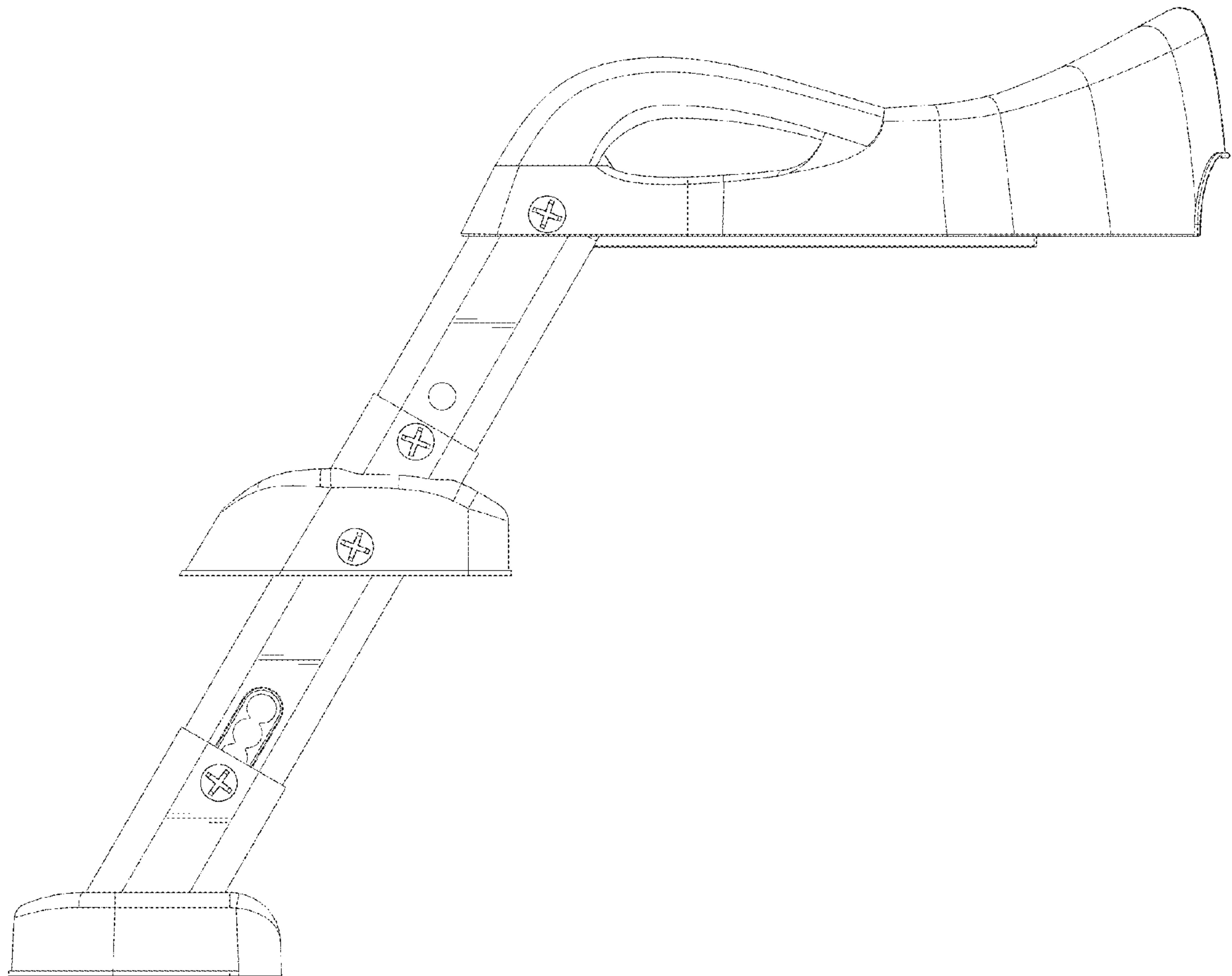


FIG.6



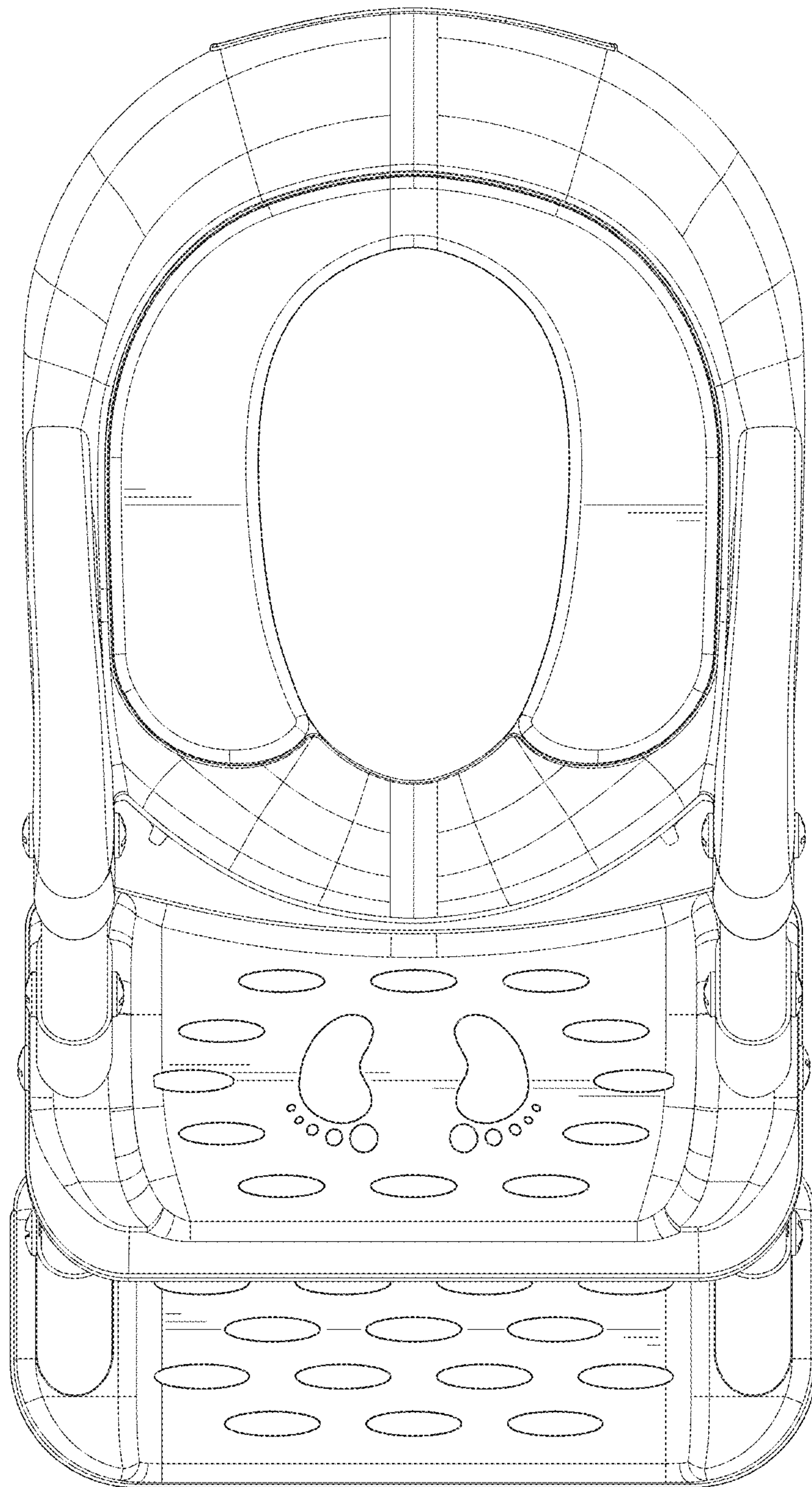


FIG. 7



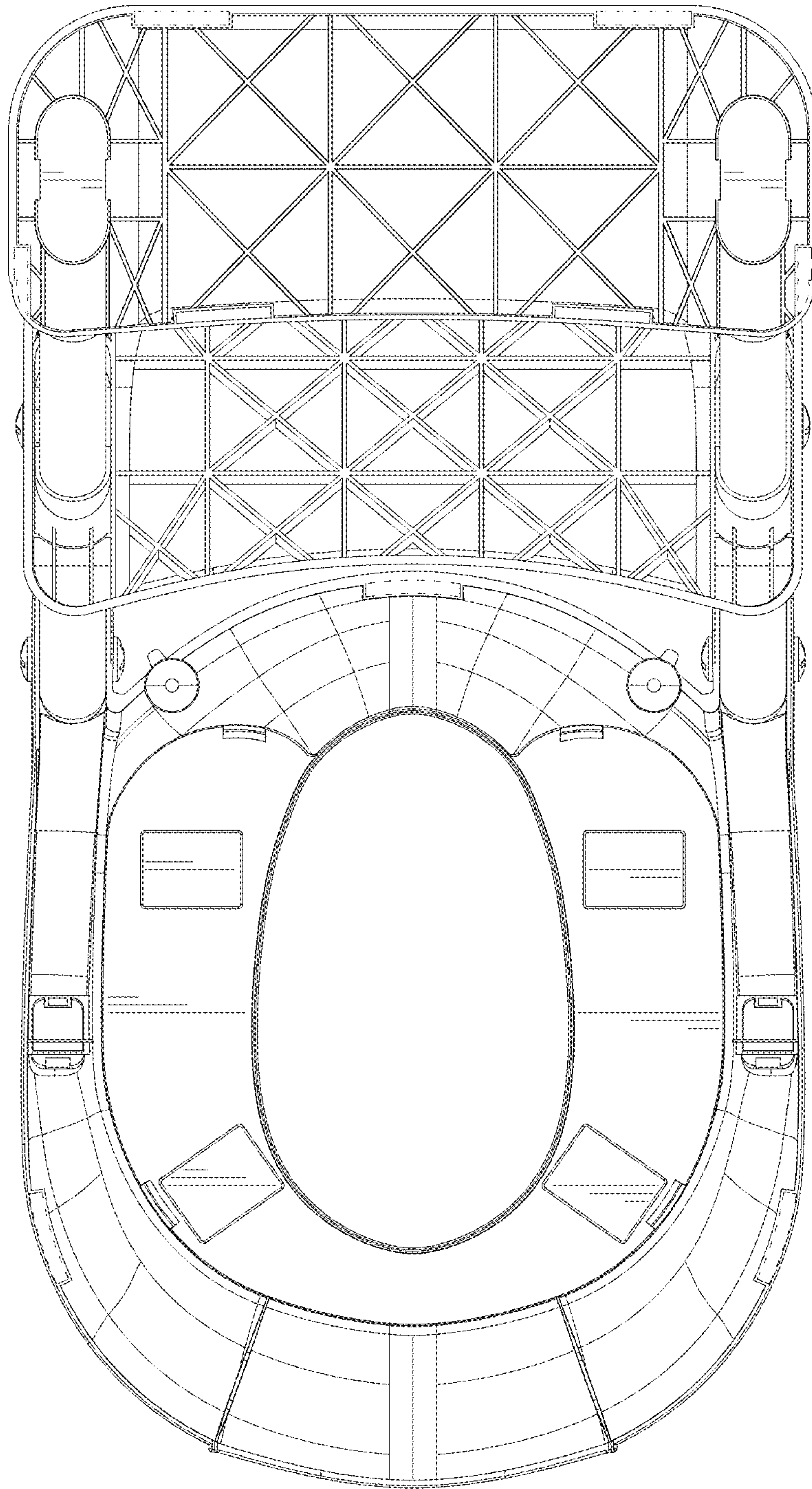


FIG.8